



US00D803100S

(12) **United States Design Patent** (10) **Patent No.:** **US D803,100 S**
Forschner (45) **Date of Patent:** **** Nov. 21, 2017**

(54) **VEHICLE, TOY, AND/OR REPLICAS THEREOF**

(71) Applicant: **Bayerische Motoren Werke Aktiengesellschaft, Munich (DE)**

(72) Inventor: **Anne Kristina Forschner, Munich (DE)**

(73) Assignee: **Bayerische Motoren Werke Aktiengesellschaft, Munich (DE)**

(**) Term: **15 Years**

(21) Appl. No.: **29/561,914**

(22) Filed: **Apr. 21, 2016**

(30) **Foreign Application Priority Data**

Oct. 22, 2015 (DE) 40 2015 101 131

(51) **LOC (10) Cl.** **12-08**

(52) **U.S. Cl.**
USPC **D12/92**

(58) **Field of Classification Search**
USPC D12/86, 90-92, 88; D21/421, 433, 434;
296/181.1, 181.5
CPC B62D 35/00; B62D 25/00; B62D 25/06;
B62D 33/00
See application file for complete search history.

(56) **References Cited**

U.S. PATENT DOCUMENTS

D620,843 S 8/2010 Froehlich
D686,534 S 7/2013 Weil

D740,175 S * 10/2015 Bischoff D12/88
D742,283 S * 11/2015 Forsgren D12/92
D743,846 S * 11/2015 Guille D12/92
D759,543 S * 6/2016 Nissl D12/92
D761,693 S * 7/2016 Lian D12/91
D764,979 S * 8/2016 Faghihzadeh D12/92
D774,416 S * 12/2016 Perini D12/88
D787,377 S * 5/2017 Al Attar D12/92

FOREIGN PATENT DOCUMENTS

EM 001023907-0001 12/2008
EM 001643164-0001 10/2010
EM 001985441-0001 8/2012
EM 002595991-0001 10/2015

* cited by examiner

Primary Examiner — Melody N Brown

(74) *Attorney, Agent, or Firm* — Crowell & Moring LLP

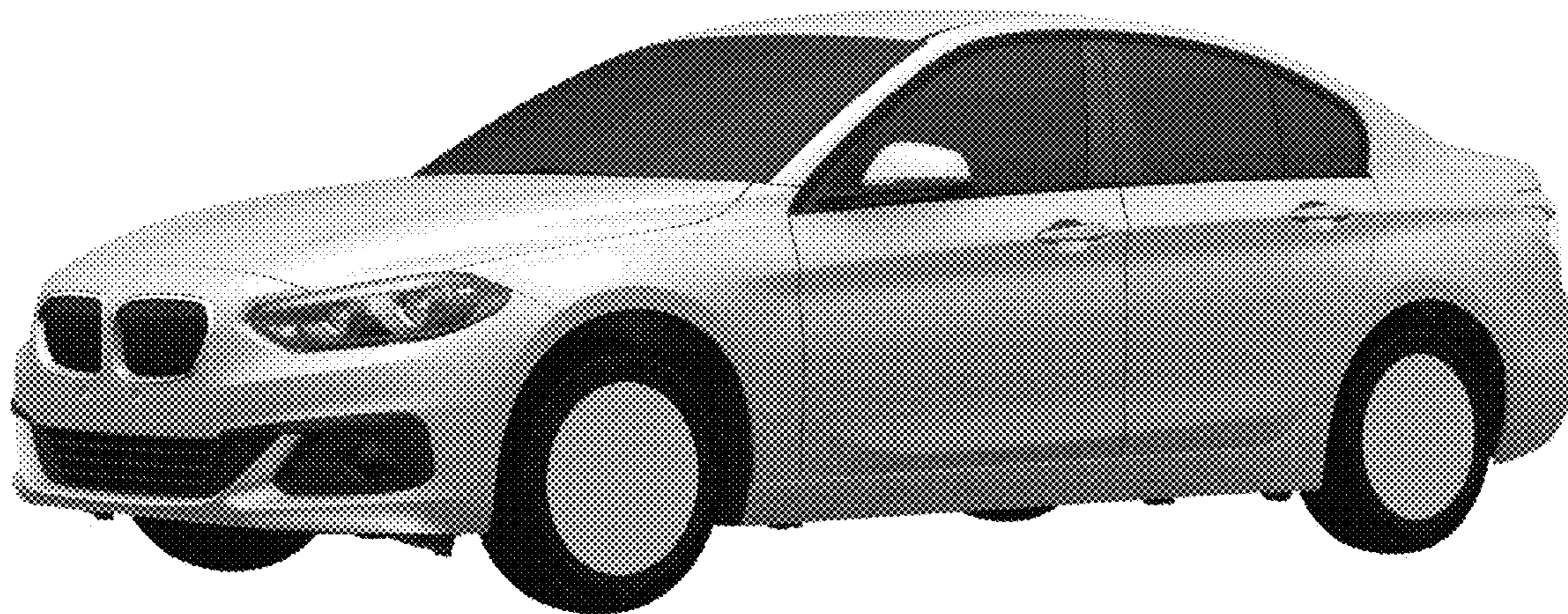
(57) **CLAIM**

The ornamental design for a vehicle, toy, and/or replicas thereof, as shown and described.

DESCRIPTION

FIG. 1 is a left, front perspective view of a vehicle, toy, and/or replicas thereof according to the design;
FIG. 2 is a left side view thereof;
FIG. 3 is a right side view thereof;
FIG. 4 is a left, rear perspective view thereof;
FIG. 5 is a front view thereof;
FIG. 6 is a rear view thereof; and,
FIG. 7 is a top view thereof.

1 Claim, 7 Drawing Sheets



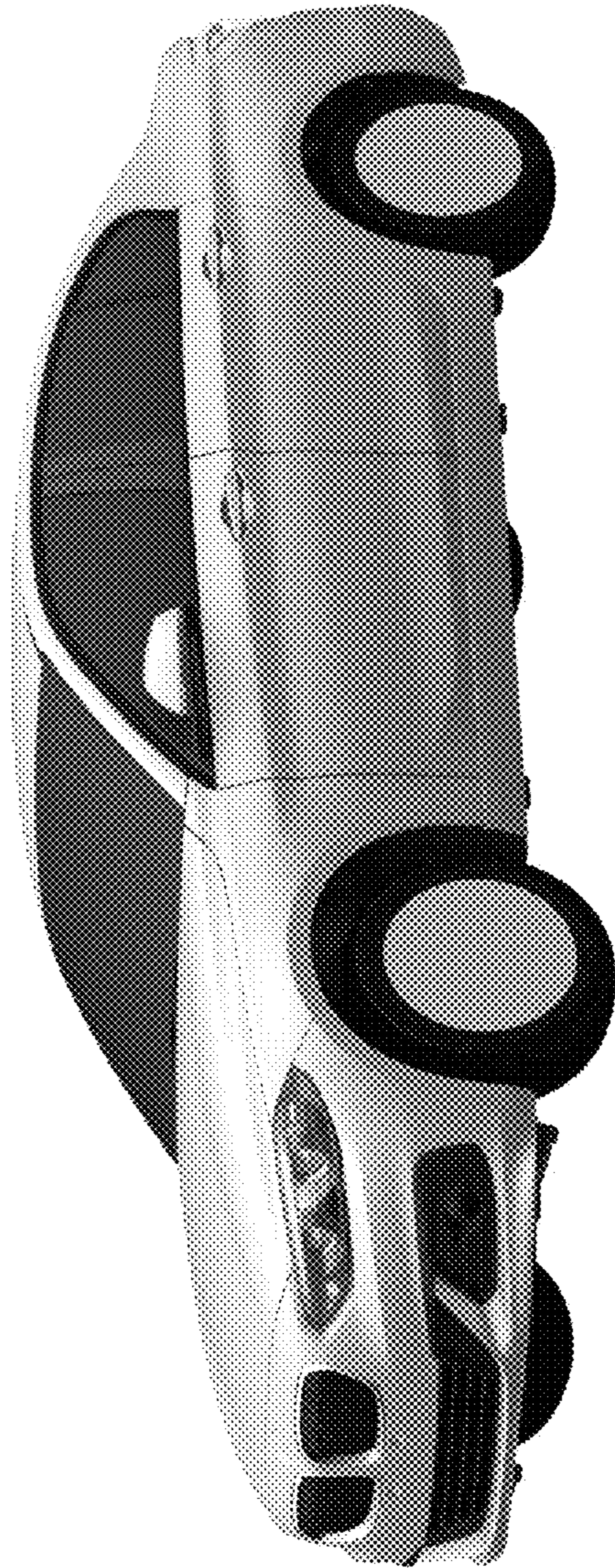


Fig. 1

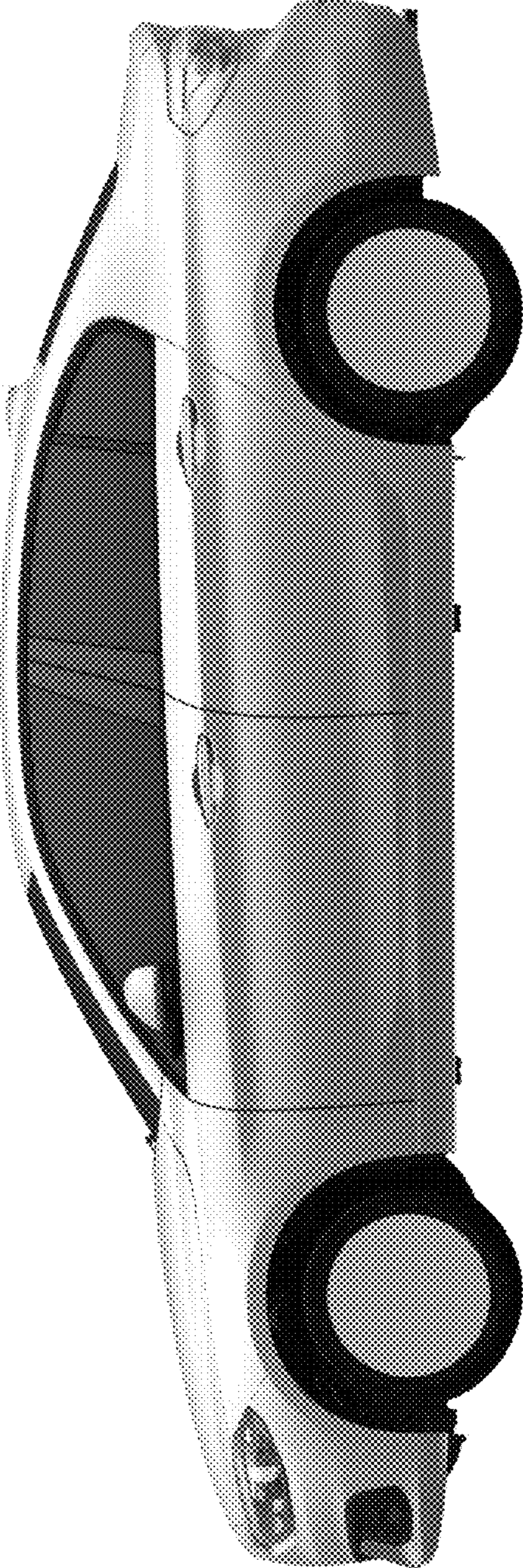


Fig. 2

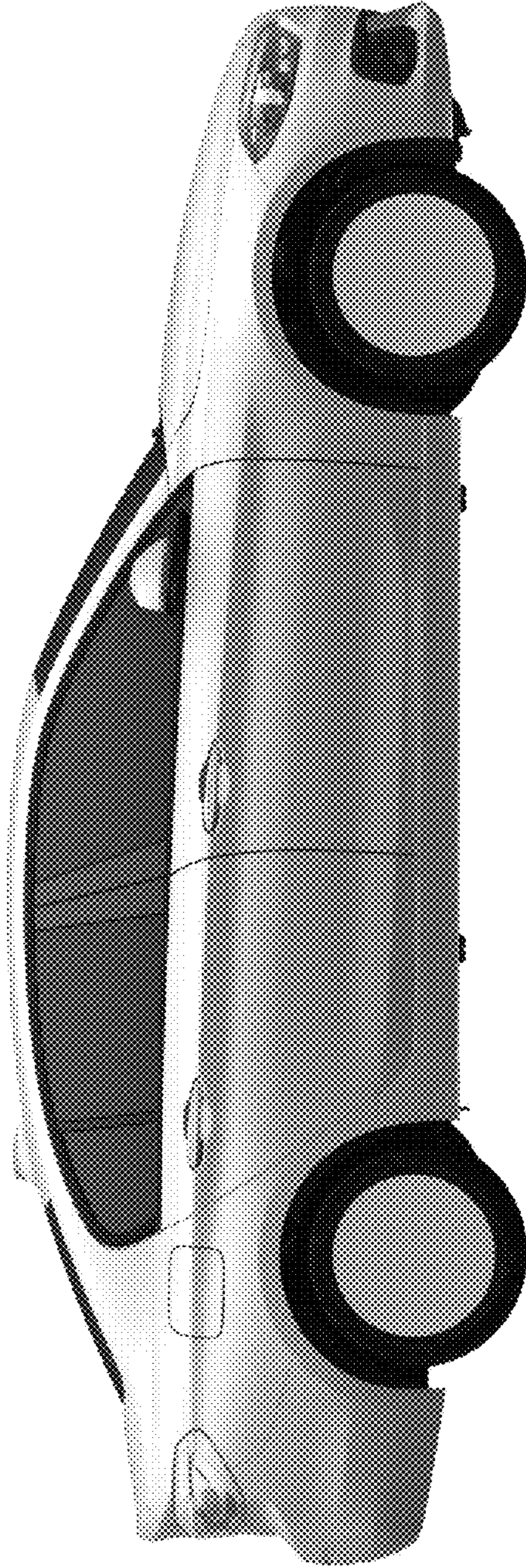


Fig. 3

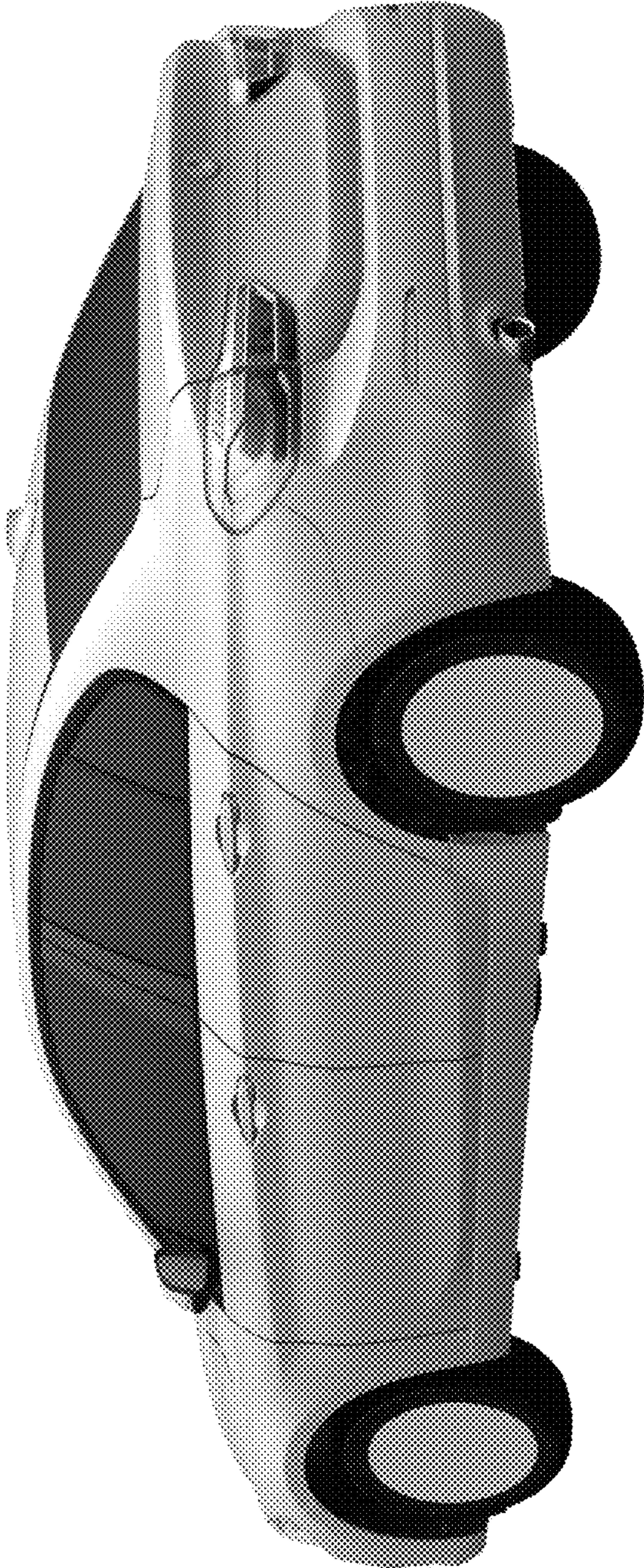


Fig. 4

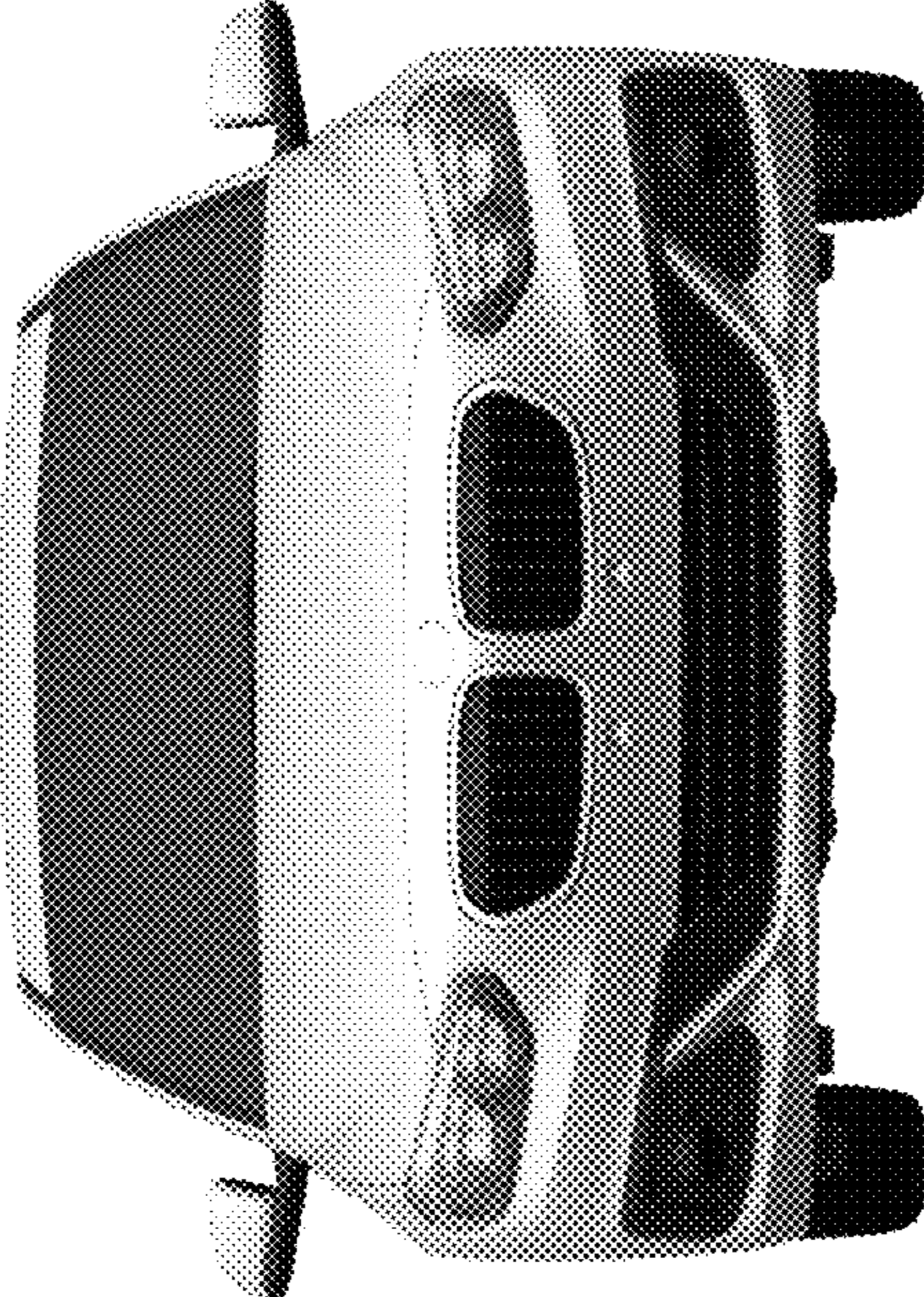


Fig. 5

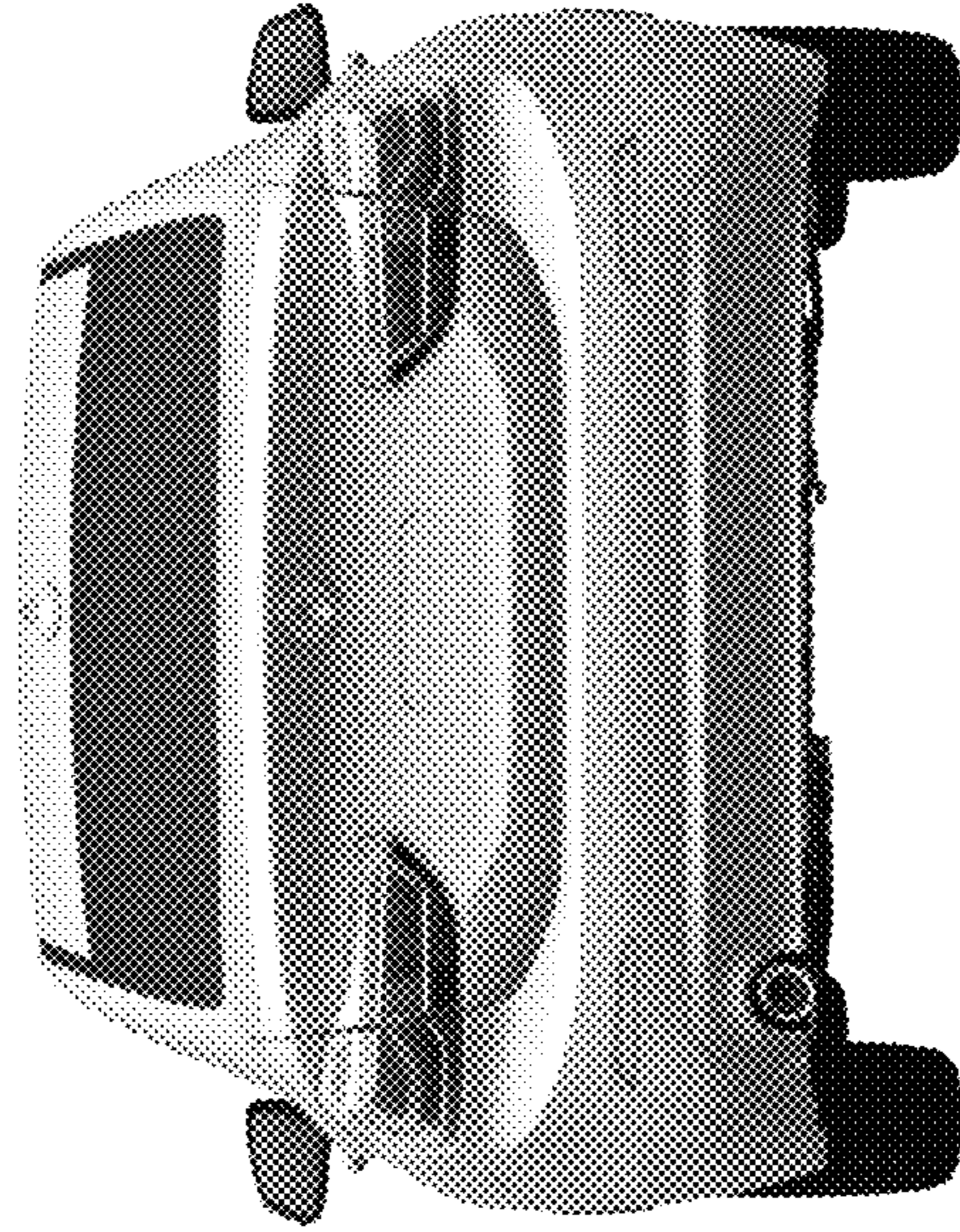


Fig. 6

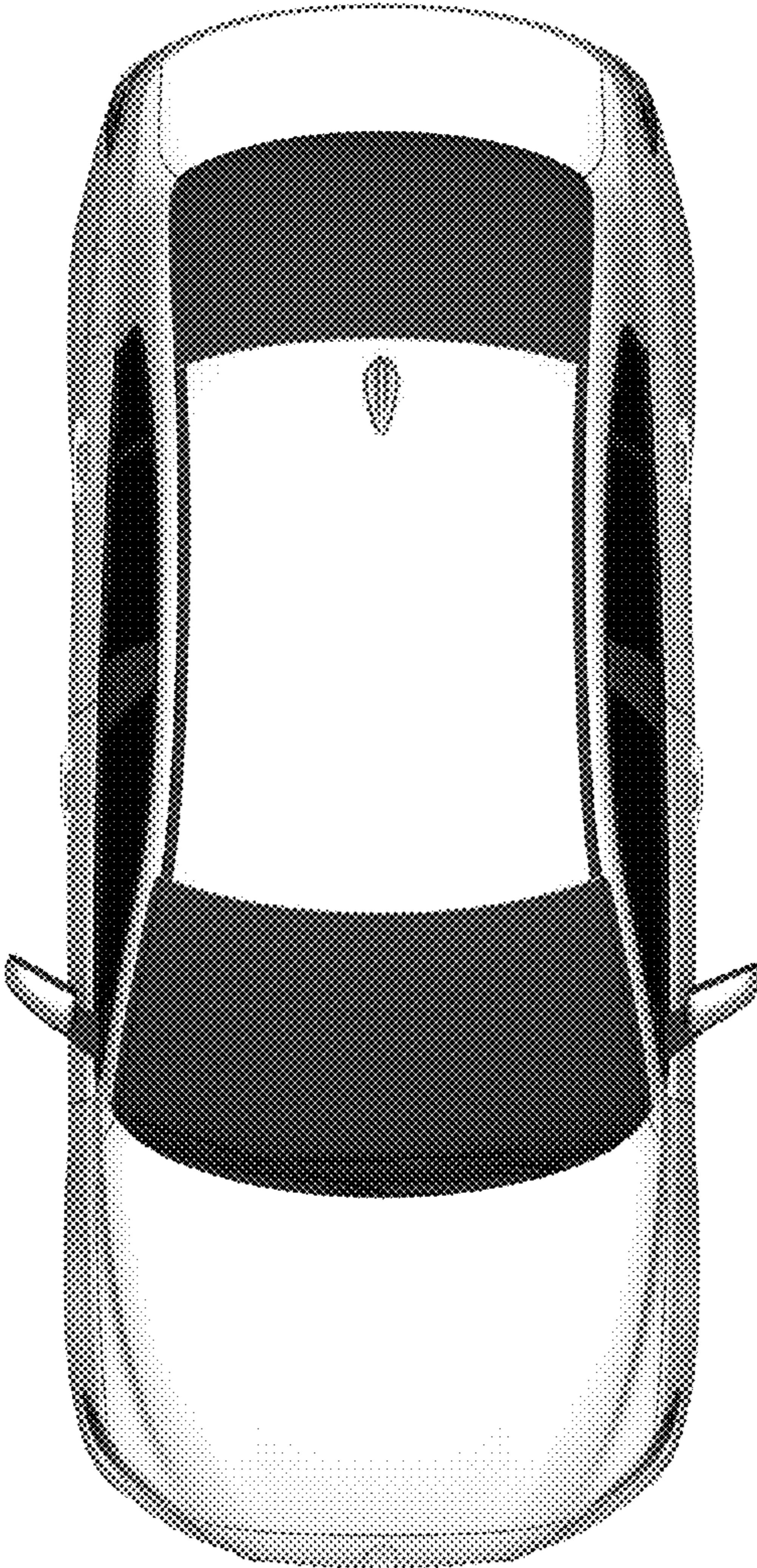


Fig. 7