



US00D803099S

(12) **United States Design Patent** (10) **Patent No.:** **US D803,099 S**
Busse (45) **Date of Patent:** **** Nov. 21, 2017**

(54) **CAR, TOY CAR REPLICA AND/OR OTHER REPLICAS**

(71) Applicant: **FCA Italy S.p.A.**, Turin (IT)

(72) Inventor: **Klaus Heinrich Busse**, Turin (IT)

(73) Assignee: **FCA ITALY S.p.A.**, Turin (IT)

(**) Term: **15 Years**

(21) Appl. No.: **29/572,548**

(22) Filed: **Jul. 28, 2016**

(30) **Foreign Application Priority Data**

Jan. 29, 2016 (EM) 002964239

Jan. 29, 2016 (EM) 002964247

(51) **LOC (10) Cl.** **12-08**

(52) **U.S. Cl.**
USPC **D12/91**

(58) **Field of Classification Search**
USPC D12/86, 90-92, 88; D21/421, 433, 434;
296/181.1, 181.5

CPC B62D 35/00; B62D 25/00; B62D 25/06;
B62D 33/00

See application file for complete search history.

(56) **References Cited**

U.S. PATENT DOCUMENTS

D497,840 S * 11/2004 Egger D12/91

D498,437 S * 11/2004 Egger D12/92

D520,911 S * 5/2006 Sugimoto D12/91
D589,404 S * 3/2009 Ramaciotti D12/92
D599,708 S * 9/2009 Li D12/92
D620,842 S * 8/2010 Ramaciotti D12/92
D665,307 S * 8/2012 Casoni D12/92
D687,349 S * 8/2013 Krugger D12/82
D698,283 S * 1/2014 Palm D12/92
D706,172 S * 6/2014 Ramaciotti D12/92
D789,834 S * 6/2017 Giolito D12/92

* cited by examiner

Primary Examiner — Melody N Brown

(74) *Attorney, Agent, or Firm* — Cowan, Liebowitz & Latman P.C.

(57) **CLAIM**

The ornamental design for a car, toy car replica and/or other replicas, as shown and described.

DESCRIPTION

FIG. 1 is a front perspective view of a car, toy car replica and/or other replicas showing my design;
FIG. 2 is a front view thereof;
FIG. 3 is a rear view thereof;
FIG. 4 is right side view thereof;
FIG. 5 is a left side view thereof; and,
FIG. 6 is a top view thereof.

1 Claim, 6 Drawing Sheets





FIG. 1

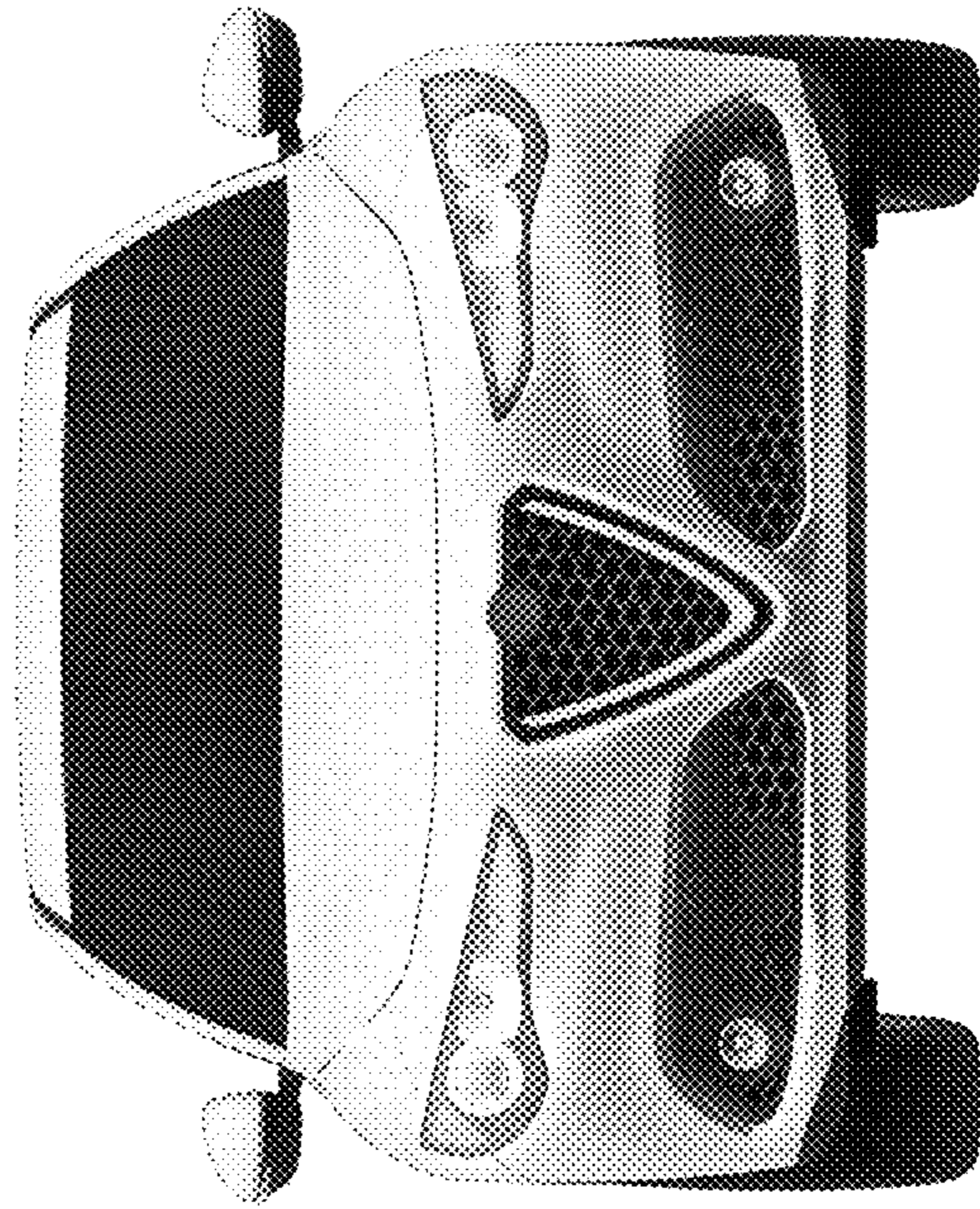


FIG. 2

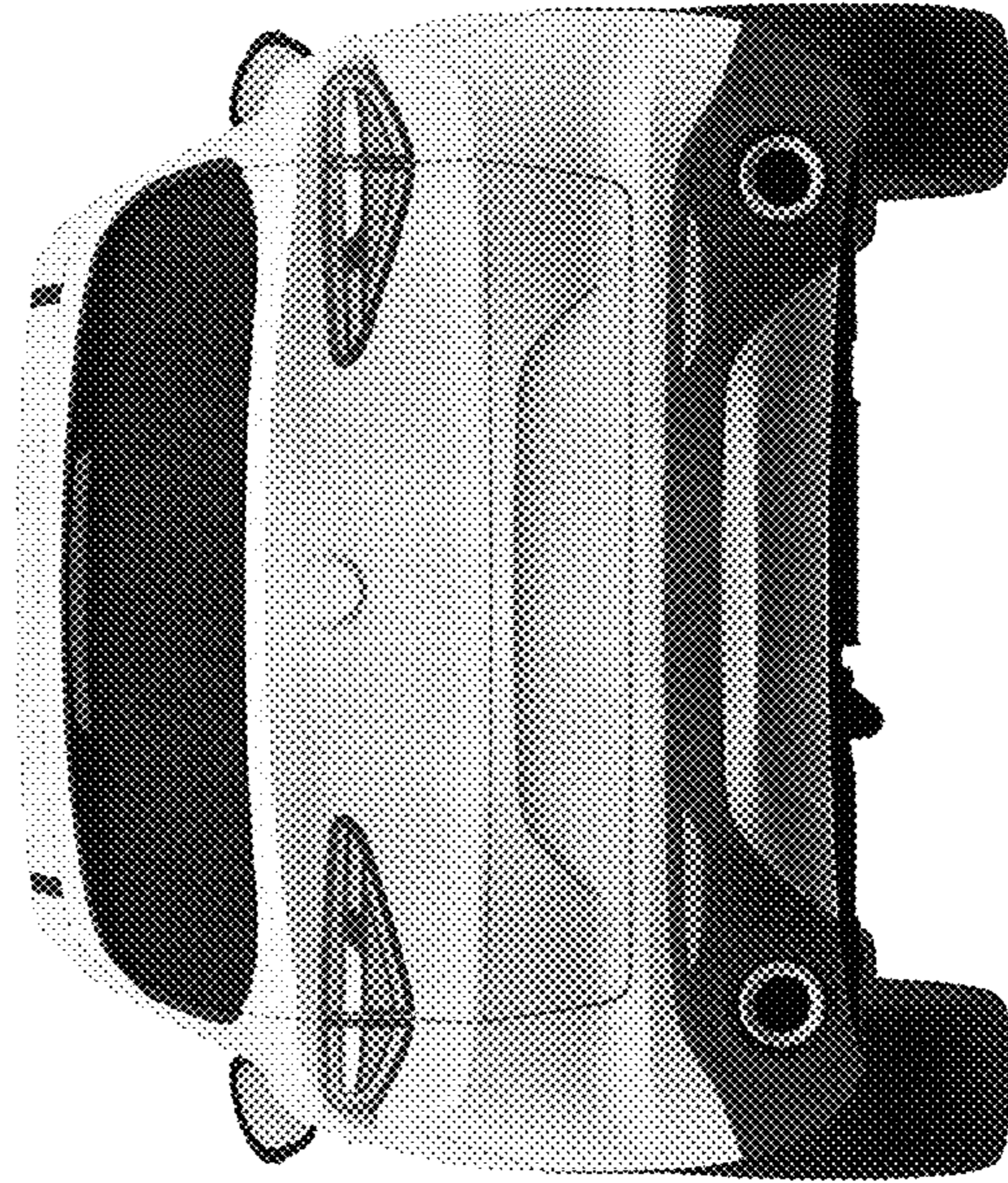


FIG. 3

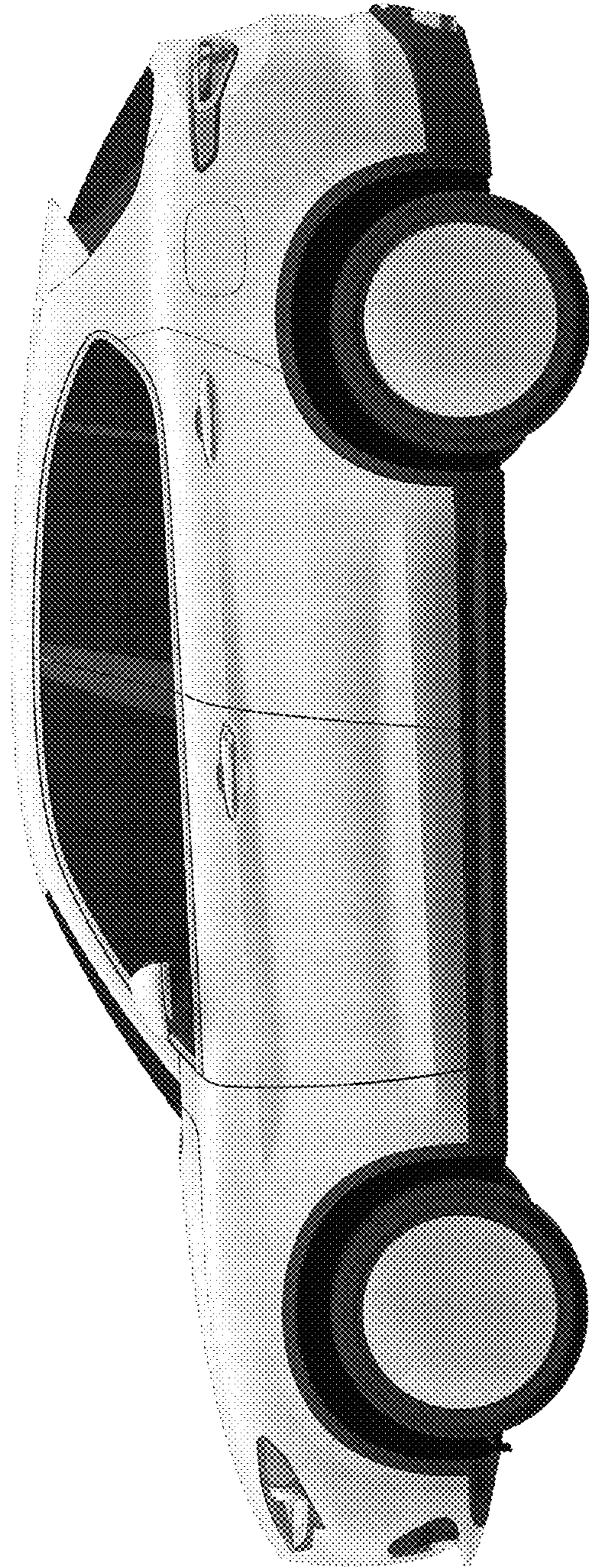


FIG. 4

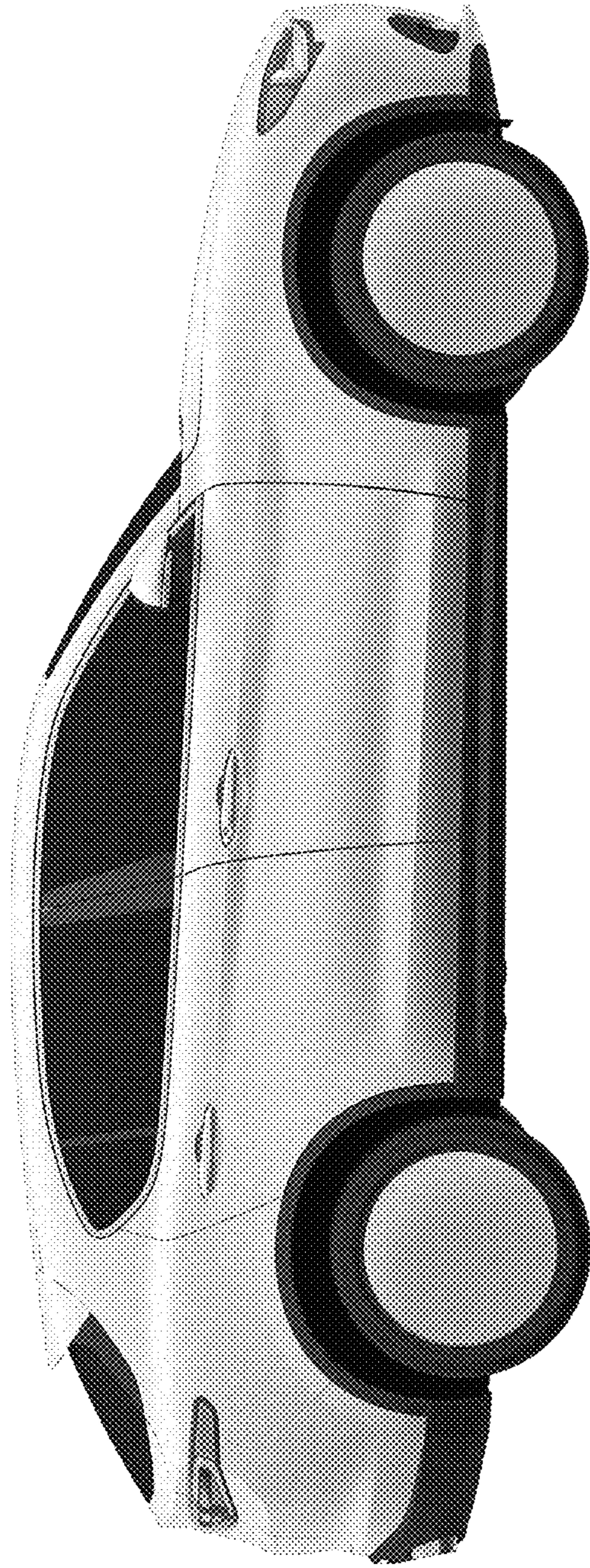


FIG. 5

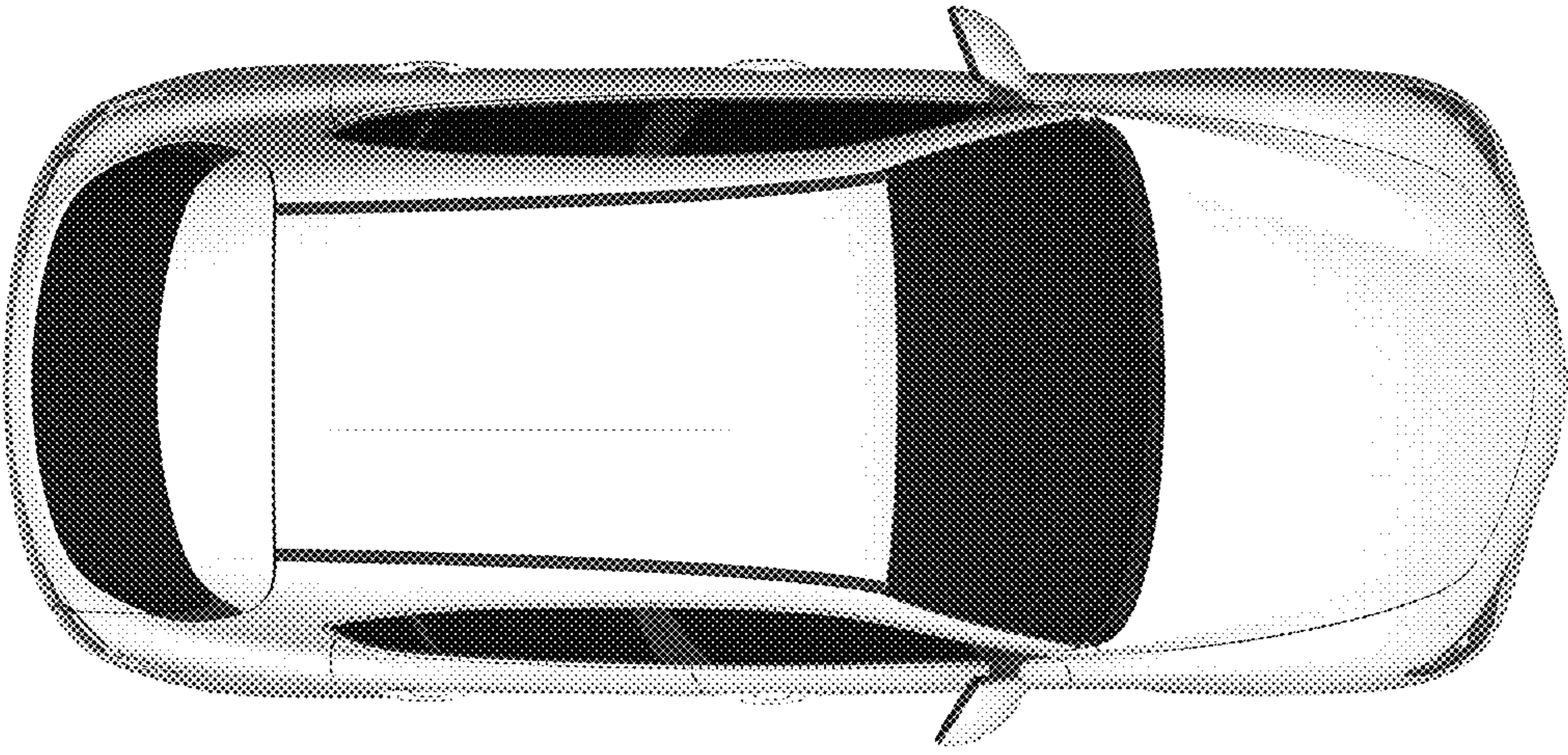


FIG. 6