



US00D803094S

(12) **United States Design Patent**  
**Keyaki et al.**

(10) **Patent No.:** **US D803,094 S**

(45) **Date of Patent:** **\*\* Nov. 21, 2017**

(54) **SLIDER FOR SLIDE FASTENER**

(71) Applicant: **YKK Corporation**, Tokyo (JP)

(72) Inventors: **Keiichi Keyaki**, Toyama (JP); **Yuki Chayahara**, Toyama (JP)

(73) Assignee: **YKK Corporation** (JP)

(\*\*) Term: **15 Years**

(21) Appl. No.: **29/583,237**

(22) Filed: **Nov. 3, 2016**

(30) **Foreign Application Priority Data**

May 5, 2016 (JP) ..... 2016-009635

(51) **LOC (10) Cl.** ..... **15-07**

(52) **U.S. Cl.**  
USPC ..... **D11/221**

(58) **Field of Classification Search**  
USPC ..... D11/200–201, 221; 24/381–383,  
24/385–387, 414–431, 4, 412; D2/641;  
294/3.6  
CPC ..... A44B 19/00; A44B 19/02; A44B 19/04;  
A44B 19/10; A44B 19/24; A44B 19/26;  
A44B 19/30; A44B 19/06

See application file for complete search history.

(56) **References Cited**

**U.S. PATENT DOCUMENTS**

- 2,404,977 A \* 7/1946 Meitner ..... A44B 19/30  
24/420
- 2,683,911 A \* 7/1954 Backer ..... A44B 19/306  
24/421
- 5,090,096 A \* 2/1992 Terada ..... A44B 19/262  
24/419
- D380,984 S \* 7/1997 Mizuno ..... D11/221
- D388,022 S \* 12/1997 Yaguramaki ..... D11/221
- 5,806,151 A \* 9/1998 Uchiyama ..... A44B 19/303  
24/418
- D441,319 S \* 5/2001 Yoneoka ..... D11/221

- 6,654,988 B1 \* 12/2003 Chung ..... A44B 19/308  
24/419
- D579,379 S \* 10/2008 Lin ..... D11/221
- D607,775 S \* 1/2010 Miyazaki ..... D11/221
- D608,247 S \* 1/2010 Keyaki ..... D11/221
- D612,292 S \* 3/2010 Miyazaki ..... D11/221
- D653,170 S \* 1/2012 Hamada ..... D11/221
- D653,171 S \* 1/2012 Hamada ..... D11/221

(Continued)

**OTHER PUBLICATIONS**

4M DA, YKKfastening.com, [online], [site visited Sep. 14, 2017].  
<URL: [http://www.ykkfastening.com/products/zipper/slider/zipper\\_type/metal\\_zipper/4m/4m\\_da.html](http://www.ykkfastening.com/products/zipper/slider/zipper_type/metal_zipper/4m/4m_da.html)>.\*

(Continued)

*Primary Examiner* — T. Chase Nelson

*Assistant Examiner* — Jonathan J Han

(74) *Attorney, Agent, or Firm* — Kilpatrick Townsend & Stockton LLP

(57) **CLAIM**

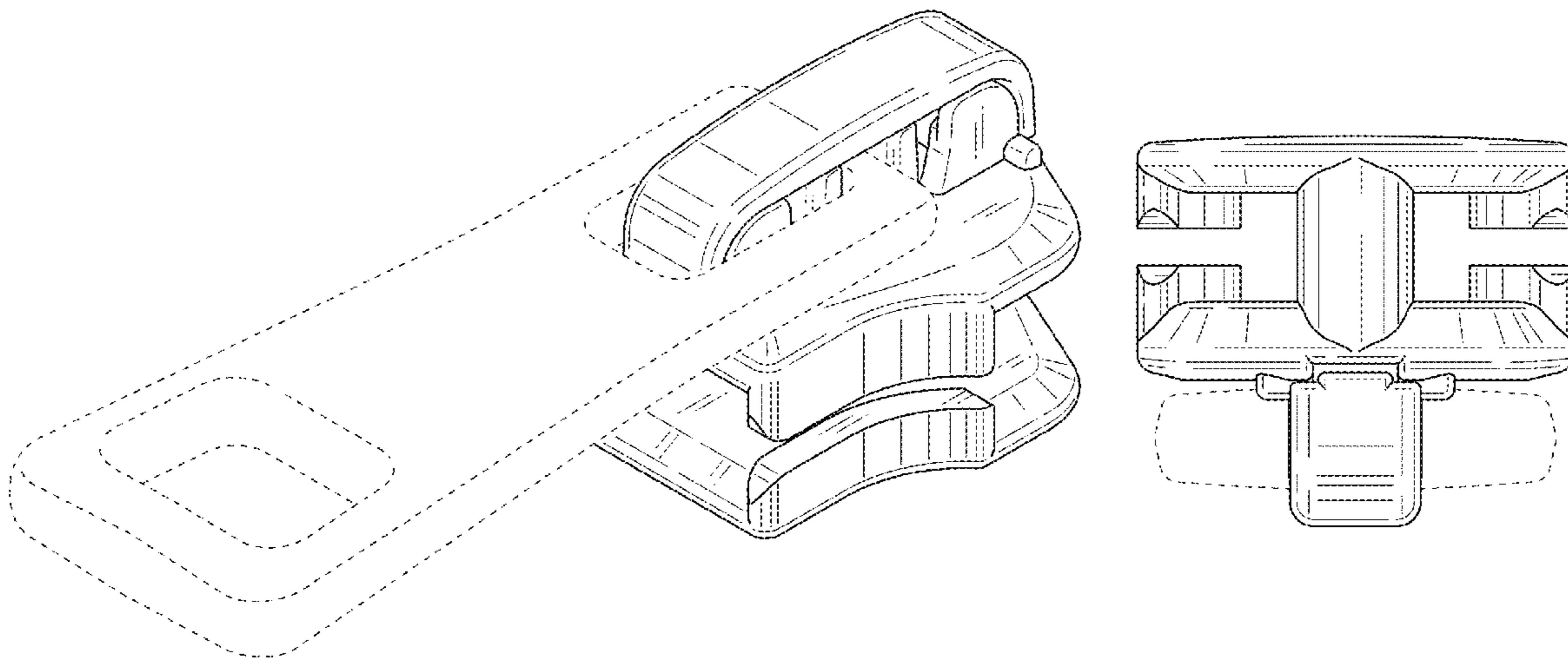
The ornamental design for a slider for a slide fastener, as shown and described.

**DESCRIPTION**

FIG. 1 is a perspective view of the front, bottom and right side of a slider for a slide fastener, showing our new design; FIG. 2 is a front view thereof; FIG. 3 is a rear view thereof; FIG. 4 is a right side view thereof, the left side view being a mirror image thereof; FIG. 5 is a top plan view thereof; and, FIG. 6 is a bottom view thereof.

The broken lines shown are included for the purpose of illustrating the unclaimed portions of a slider for a slide fastener and form no part of the claimed design.

**1 Claim, 5 Drawing Sheets**



(56)

**References Cited**

U.S. PATENT DOCUMENTS

D653,586 S \* 2/2012 Hamada ..... D11/221  
 9,226,550 B1 \* 1/2016 Lin ..... A44B 19/262  
 9,370,225 B1 \* 6/2016 Lin ..... A44B 19/26  
 2002/0133917 A1 \* 9/2002 Chu ..... A44B 19/262  
 24/429  
 2003/0101548 A1 \* 6/2003 Tang ..... A44B 19/262  
 24/429  
 2004/0020018 A1 \* 2/2004 Tsaun ..... A44B 19/36  
 24/436  
 2009/0106952 A1 \* 4/2009 Lin ..... A44B 19/308  
 24/418  
 2009/0113676 A1 \* 5/2009 Chung ..... A44B 19/06  
 24/406  
 2009/0313793 A1 \* 12/2009 Lin ..... A44B 19/26  
 24/429  
 2013/0318751 A1 \* 12/2013 Lin ..... A44B 19/42  
 24/429  
 2014/0013549 A1 \* 1/2014 Oda ..... A44B 19/303  
 24/415  
 2014/0082896 A1 \* 3/2014 Li ..... A44B 19/308  
 24/424

2014/0338158 A1 \* 11/2014 Lin ..... A44B 19/26  
 24/431  
 2015/0321399 A1 \* 11/2015 Hong ..... A44B 1/02  
 524/539  
 2015/0351501 A1 \* 12/2015 Zana ..... A44B 19/26  
 24/429  
 2016/0095393 A1 \* 4/2016 Lin ..... A44B 19/26  
 24/403

OTHER PUBLICATIONS

4M DABL, YKKfastening.com, [online], [site visited Sep. 14, 2017]. <URL: [http://www.ykkfastening.com/products/zipper/slider/zipper\\_type/metal\\_zipper/4m/4m\\_dabl.html](http://www.ykkfastening.com/products/zipper/slider/zipper_type/metal_zipper/4m/4m_dabl.html)>.\*  
 4M DAL, YKKfastening.com, [online], [site visited Sep. 14, 2017]. <URL: [http://www.ykkfastening.com/products/zipper/slider/zipper\\_type/metal\\_zipper/4m/4m\\_dal.html](http://www.ykkfastening.com/products/zipper/slider/zipper_type/metal_zipper/4m/4m_dal.html)>.\*  
 Industrial Metal Auto Lock Zipper Slider With Emboss Logo for Apparel, MetallicZipper.com, [online], [site visited Sep. 14, 2017]. <URL: <http://www.metalliczipper.com/sale-1997897-industrial-metal-auto-lock-zipper-slider-with-emboss-logo-for-apparel.html>>.\*

\* cited by examiner

Fig. 1

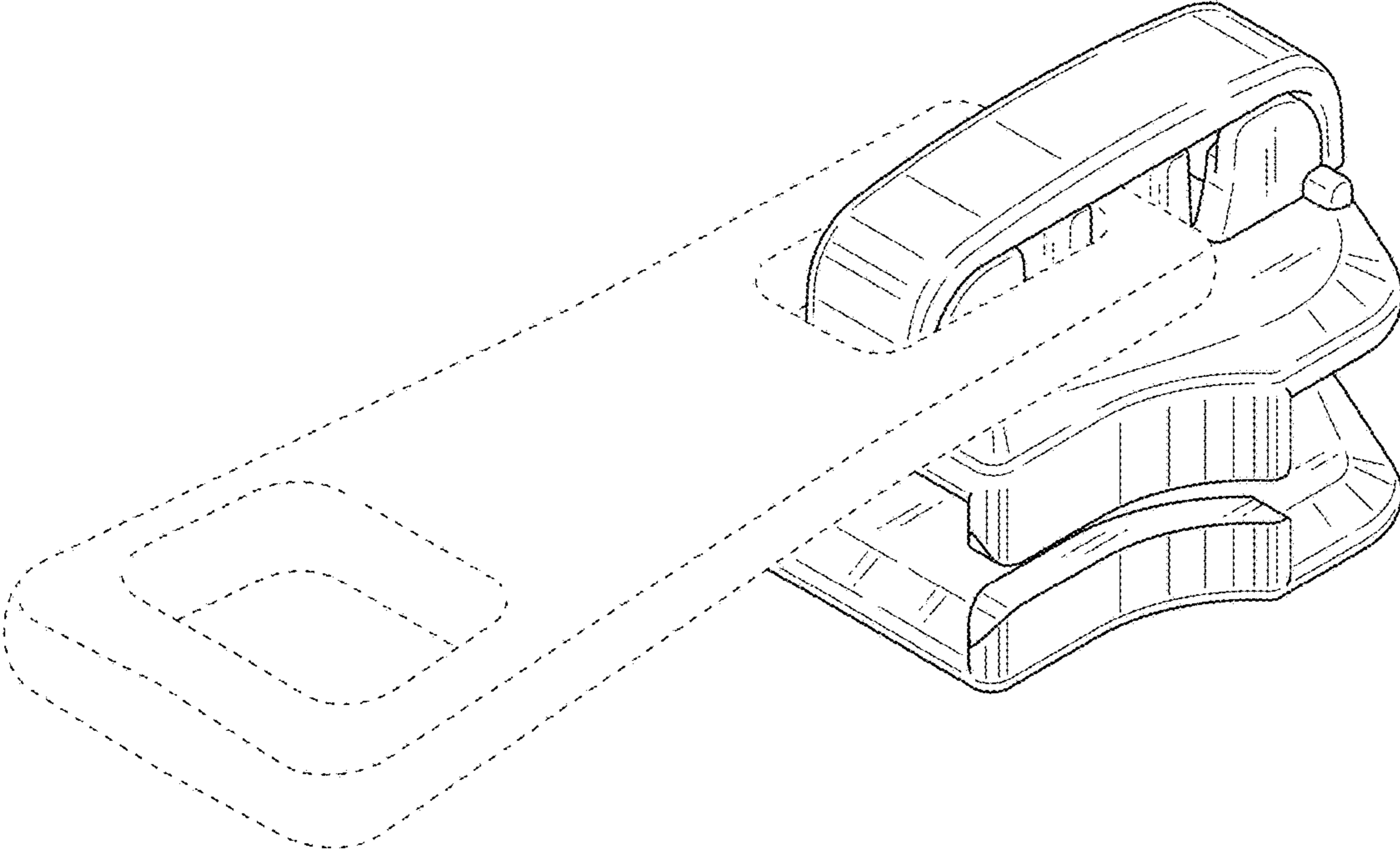


Fig. 2

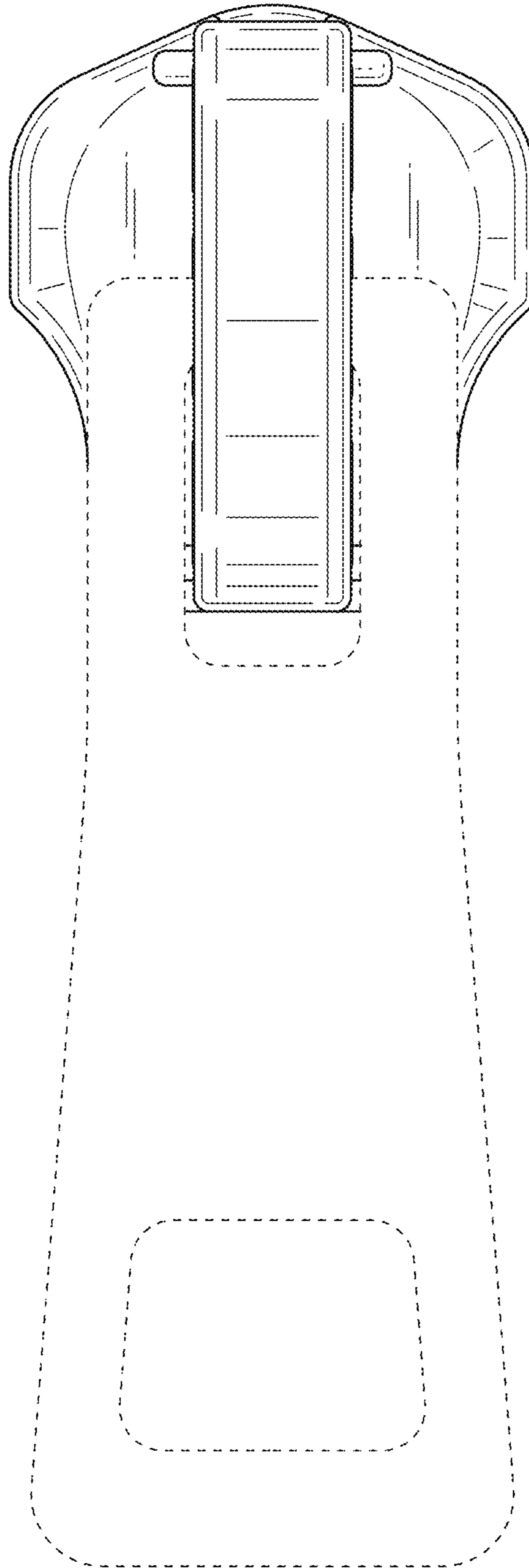


Fig. 3

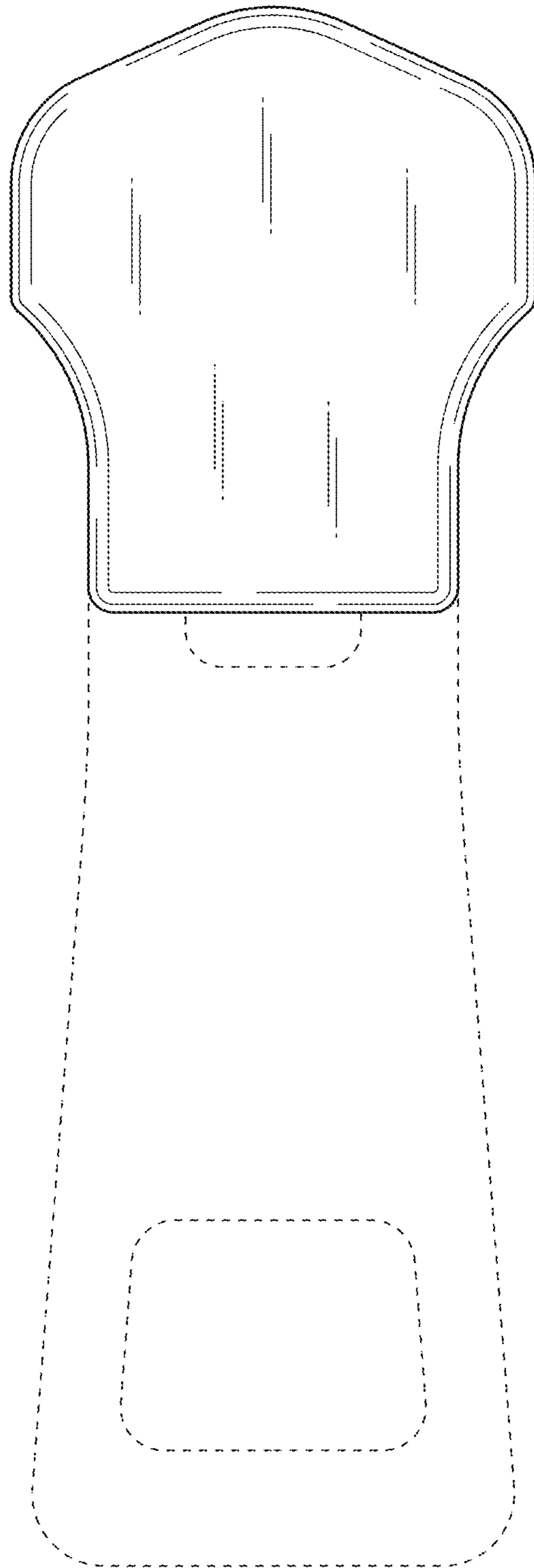


Fig. 4

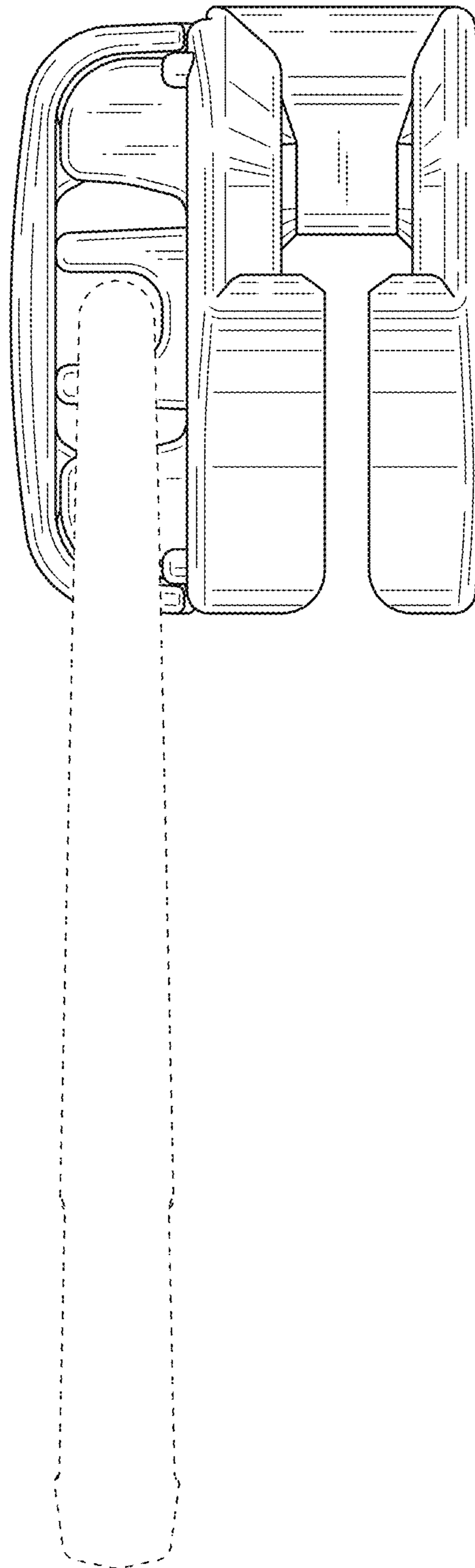


Fig. 5

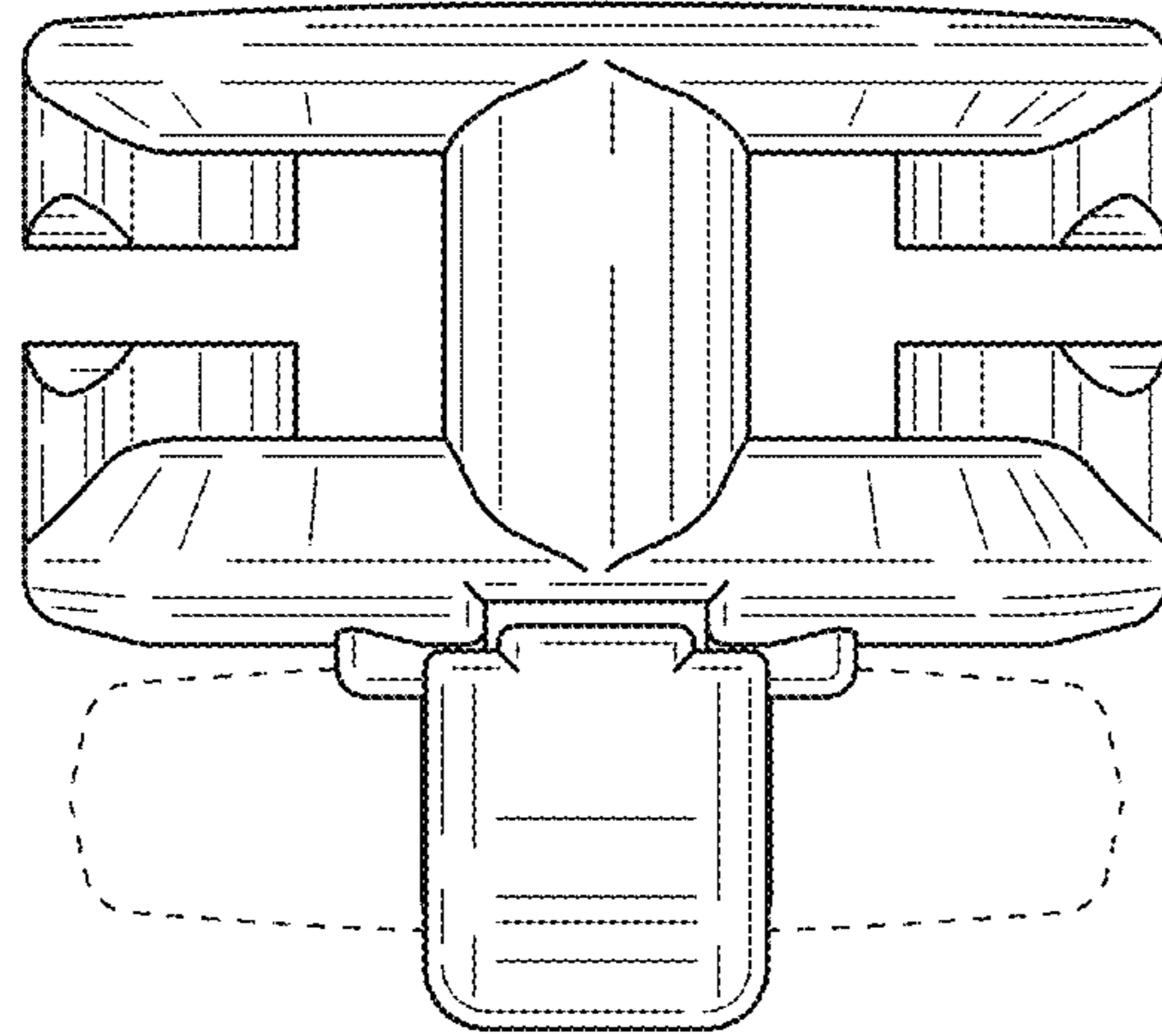


Fig. 6

