



US00D803092S

(12) **United States Design Patent** (10) **Patent No.:** **US D803,092 S**  
**Longfellow** (45) **Date of Patent:** **\*\* Nov. 21, 2017**

(54) **JEWELRY ARTICLE**  
(71) Applicant: **1010 Enterprises, LLC**, Mendota Heights, MN (US)  
(72) Inventor: **Thomas Longfellow**, Mendota Heights, MN (US)  
(73) Assignee: **1010 Enterprises, LLC**, Mendota Heights, MN (US)  
(\*\*) Term: **15 Years**  
(21) Appl. No.: **29/579,746**  
(22) Filed: **Oct. 3, 2016**  
(51) **LOC (10) Cl.** ..... **11-01**  
(52) **U.S. Cl.**  
USPC ..... **D11/79**  
(58) **Field of Classification Search**  
USPC ..... D11/1-26, 79-86; D10/32, 38, 30, 31, D10/33, 37, 40  
CPC ..... A44C 5/00; A44C 5/0007; A44C 5/0015; A44C 25/00; A44C 25/001; A44C 25/002; A44C 25/004; A44C 25/007; A44C 1/00; A44C 11/00; A44C 15/003; A61B 5/02405  
See application file for complete search history.

509,889 A \* 12/1893 Gaynor ..... A44C 25/001 428/28  
1,410,075 A \* 3/1922 Orstedt ..... A44C 17/0208 40/741  
D73,095 S \* 7/1927 Messick ..... D10/31  
D137,978 S \* 5/1944 Bradbury ..... D11/81  
D203,190 S \* 12/1965 Eaves ..... D11/79  
D203,737 S \* 2/1966 Friedman ..... D11/79  
D644,563 S \* 9/2011 Demaree ..... D11/221  
2008/0142561 A1 \* 6/2008 Wang ..... A44C 15/003 224/616  
2015/0013383 A1 \* 1/2015 Weems ..... A44C 13/00 63/18  
2015/0047392 A1 \* 2/2015 Kelly ..... A44C 5/2038 63/23  
2015/0089976 A1 \* 4/2015 Alulis ..... A44C 25/002 63/21  
2015/0320156 A1 \* 11/2015 Meisenbach ..... A44C 25/002 63/1.14

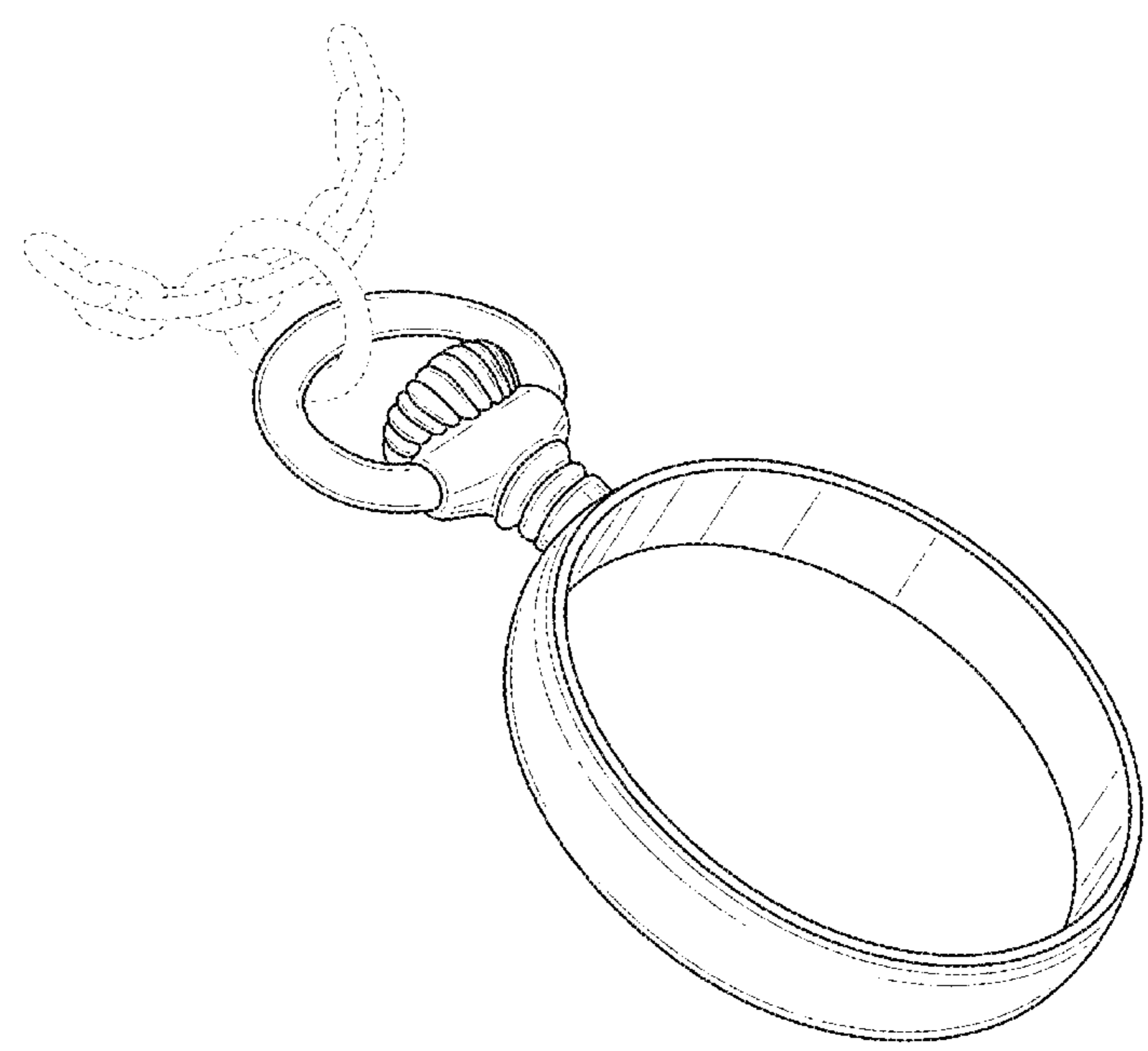
\* cited by examiner  
*Primary Examiner* — Melanie Pellegrini  
(74) *Attorney, Agent, or Firm* — Winthrop & Weinstine, P.A.

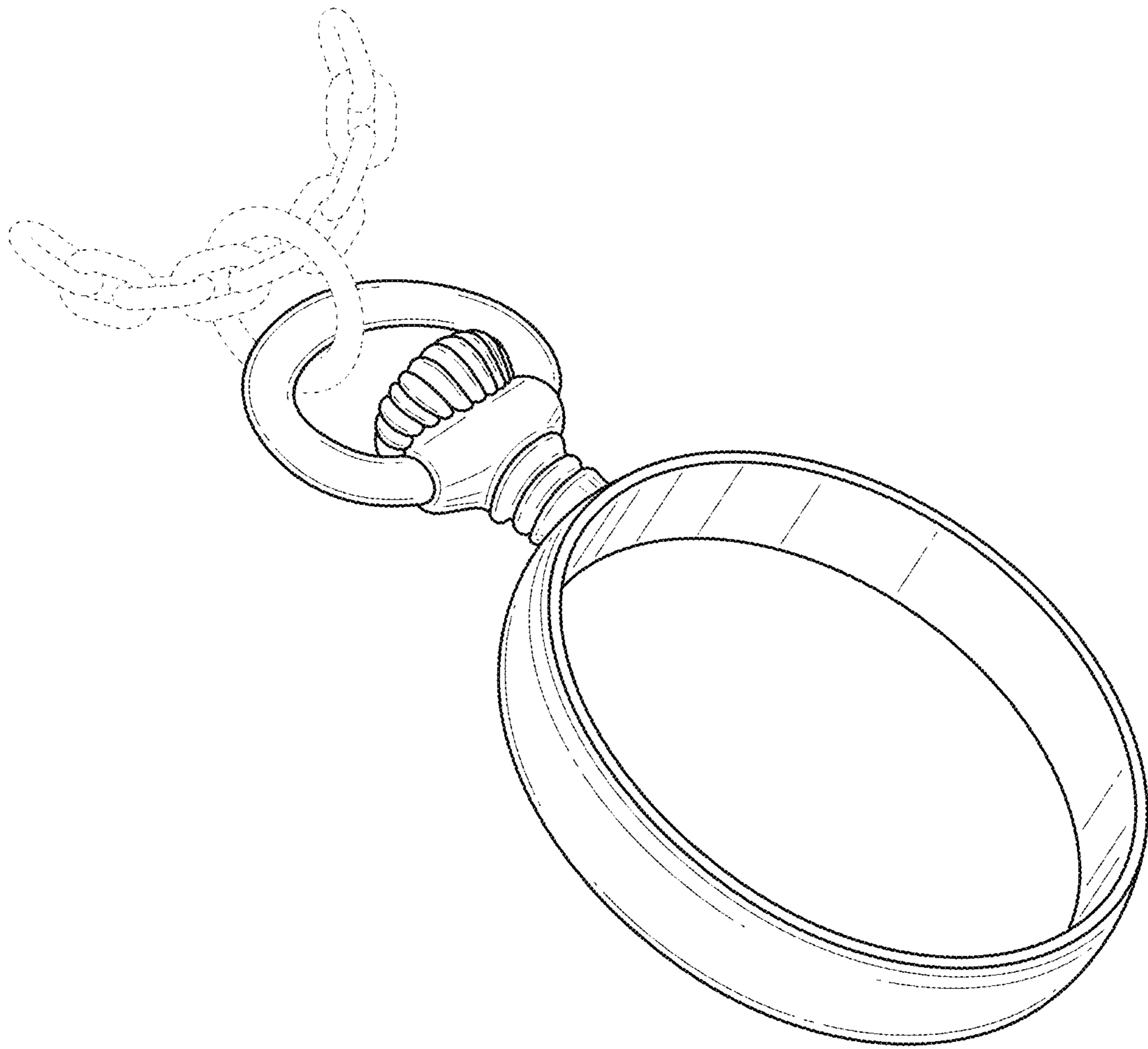
(57) **CLAIM**  
The ornamental design for a jewelry article, as shown and described.

**DESCRIPTION**  
FIG. 1 is an isometric view of a jewelry article;  
FIG. 2 is a front view thereof;  
FIG. 3 is a side view thereof;  
FIG. 4 is a top view thereof; and,  
FIG. 5 is a bottom view thereof.  
The broken lines shown in the drawings represent environment and form no part of the claimed design.

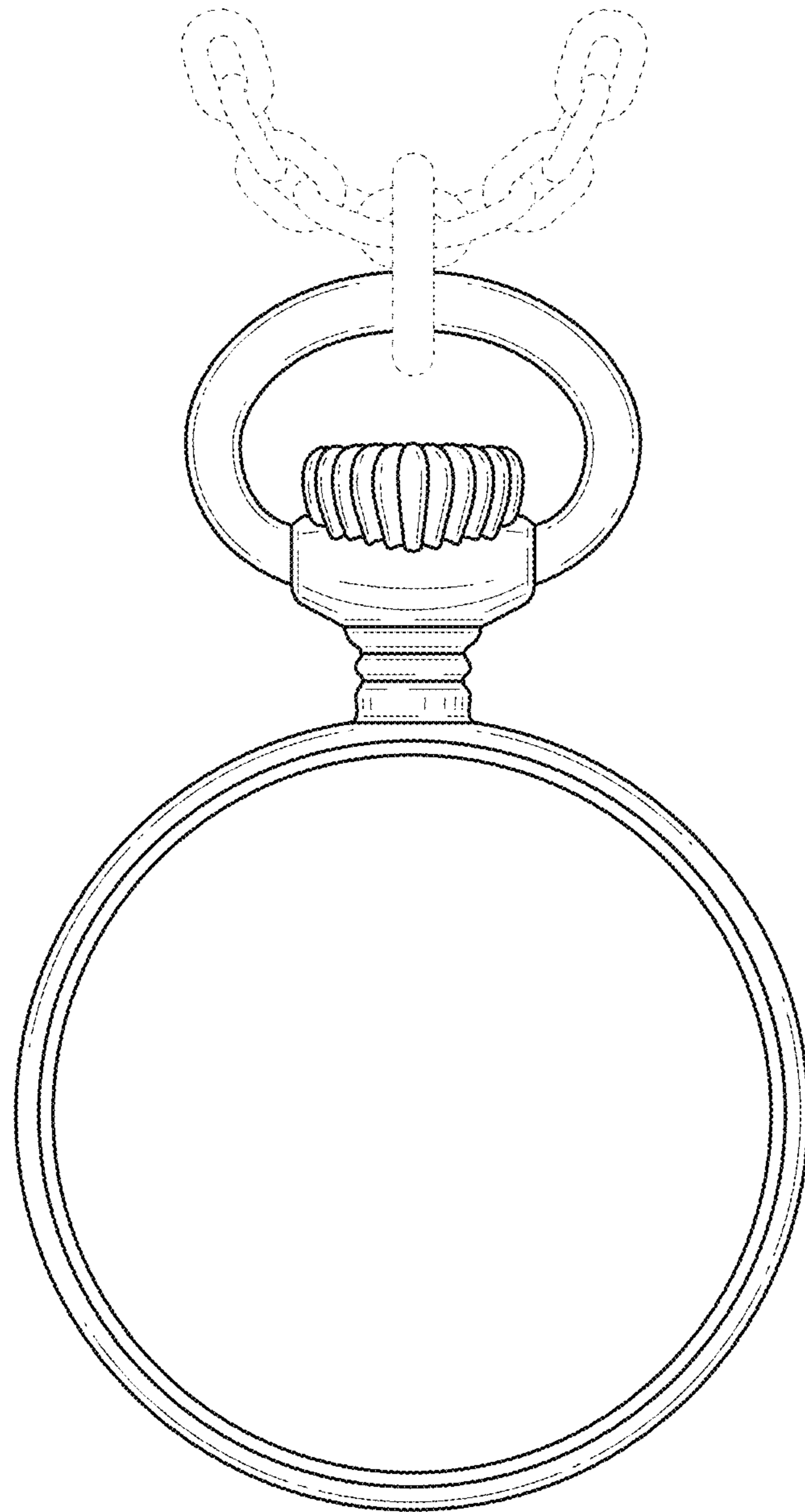
**1 Claim, 5 Drawing Sheets**

(56) **References Cited**  
U.S. PATENT DOCUMENTS  
D9,941 S \* 4/1877 Keller ..... D11/80  
224,260 A \* 2/1880 Whitney ..... A44C 25/001 63/23  
279,866 A \* 6/1883 Grace ..... B42D 15/00 283/63.1  
509,888 A \* 12/1893 Gaynor ..... A44C 25/001 40/1.5

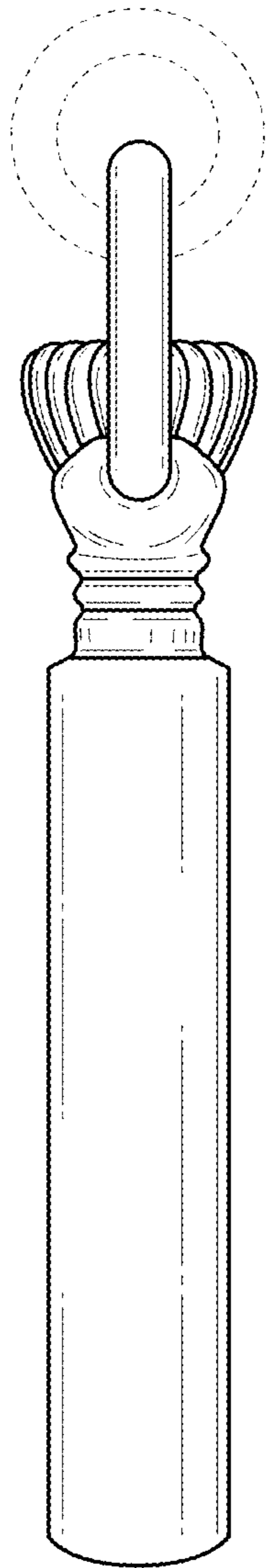




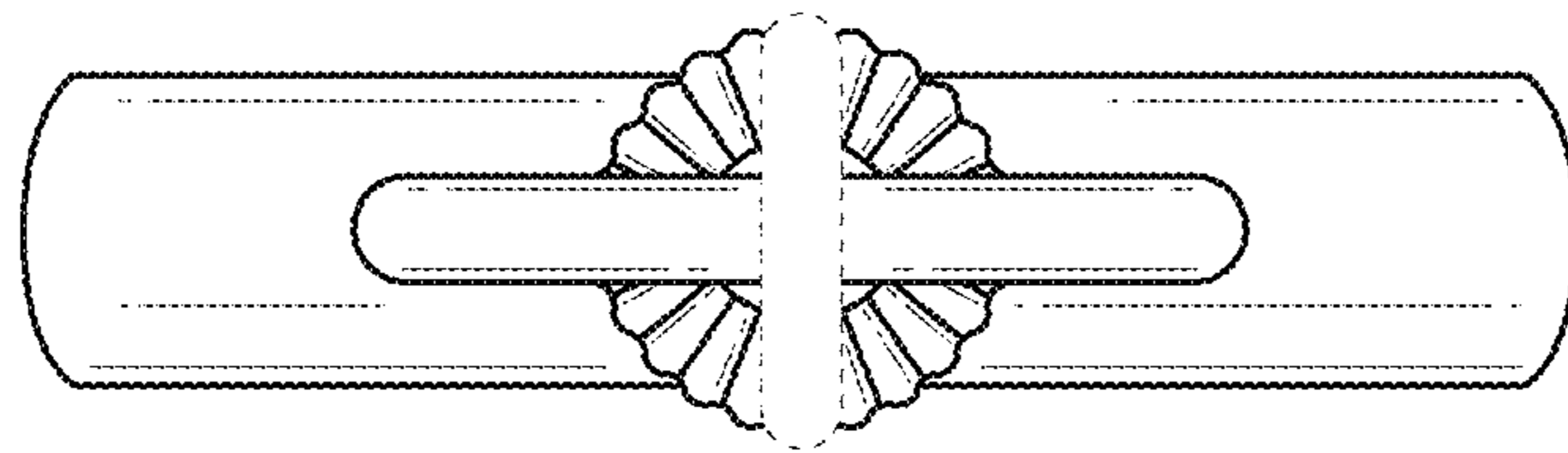
**Fig. 1**



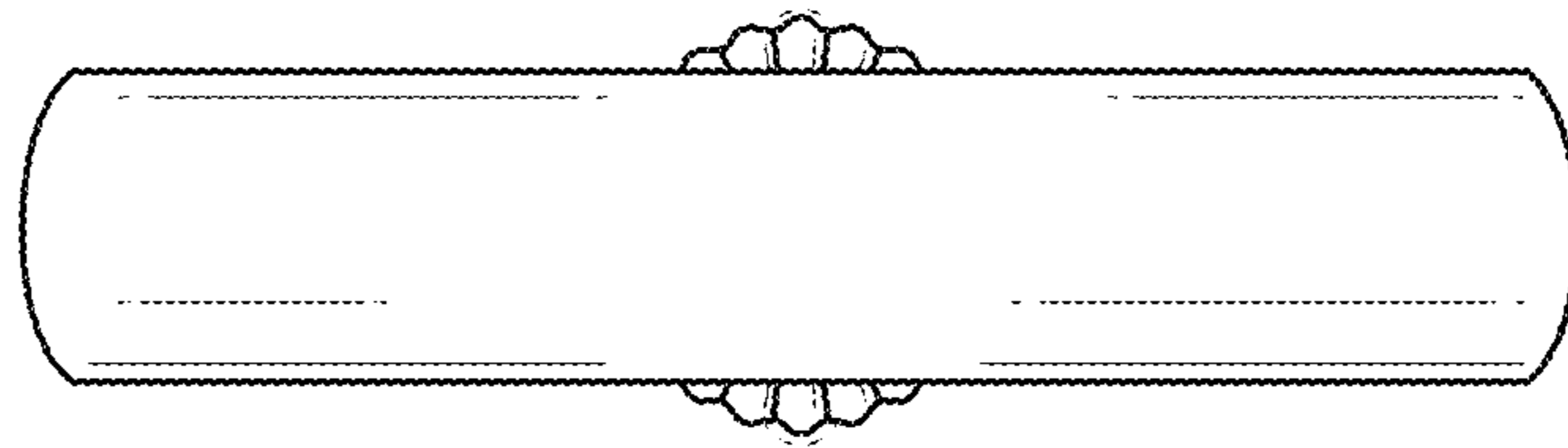
**Fig. 2**



**Fig. 3**



**Fig. 4**



**Fig. 5**