



US00D803085S

(12) **United States Design Patent** (10) **Patent No.:** **US D803,085 S**
Hagen (45) **Date of Patent:** **** Nov. 21, 2017**

(54) **BRACELET CHARM**

(71) Applicant: **Kevin Hagen**, Weston, FL (US)

(72) Inventor: **Kevin Hagen**, Weston, FL (US)

(**) Term: **15 Years**

(21) Appl. No.: **29/572,436**

(22) Filed: **Jul. 28, 2016**

(51) **LOC (10) Cl.** **11-01**

(52) **U.S. Cl.**

USPC **D11/1; D11/83**

(58) **Field of Classification Search**

USPC D11/1, 2, 3-11, 26, 40-44, 53, 79-86,
D11/101, 102, 105

CPC A44C 1/00; A44C 3/00; A44C 5/00; A44C
5/0007; A44C 5/0015; A44C 5/003; A44C
5/0023; A44C 7/00; A44C 7/002; A44C
15/001; A44C 25/00; A44C 25/001; A44C
25/002; A44C 25/004; A44C 25/007

See application file for complete search history.

(56) **References Cited**

U.S. PATENT DOCUMENTS

- D232,061 S * 7/1974 Christiansen D11/224
- 3,839,821 A * 10/1974 Forsman A63H 3/365
40/1.5
- 4,035,630 A * 7/1977 Burke A44C 15/0015
362/104
- D249,253 S * 9/1978 Watkins D11/102
- 4,215,388 A * 7/1980 Reimann A44C 15/0015
362/104
- D266,155 S * 9/1982 Scherenberg, Jr. D11/55
- D303,866 S * 10/1989 Lucas D1/109
- 4,930,052 A * 5/1990 Beige F21L 2/00
362/104
- D343,871 S * 2/1994 Baron D21/661
- D347,800 S * 6/1994 Jampolsky
- D397,535 S * 9/1998 Izzo D1/109

- D444,611 S * 7/2001 Wolfe D1/104
- D464,584 S * 10/2002 Tsukayama D11/55
- D517,273 S * 3/2006 Harrington D1/108
- D536,041 S * 1/2007 Luconi D21/408
- D558,084 S * 12/2007 Neff D11/121
- D650,966 S * 12/2011 Maher D1/107
- D651,114 S * 12/2011 Bedrossian D11/1
- D657,000 S * 4/2012 Nelson D21/453
- D676,776 S * 2/2013 Williams D11/26
- D676,777 S * 2/2013 Williams D11/26
- D676,778 S * 2/2013 Williams D11/26

(Continued)

OTHER PUBLICATIONS

[Online] <https://www.emojibracelet.com/products/grinning-face-with-closed-eyes-emoji-charm>. Retrieved Jul. 18, 2017.*

(Continued)

Primary Examiner — Melanie Pellegrini

(74) *Attorney, Agent, or Firm* — Raj Abhyanker, P.C.

(57) **CLAIM**

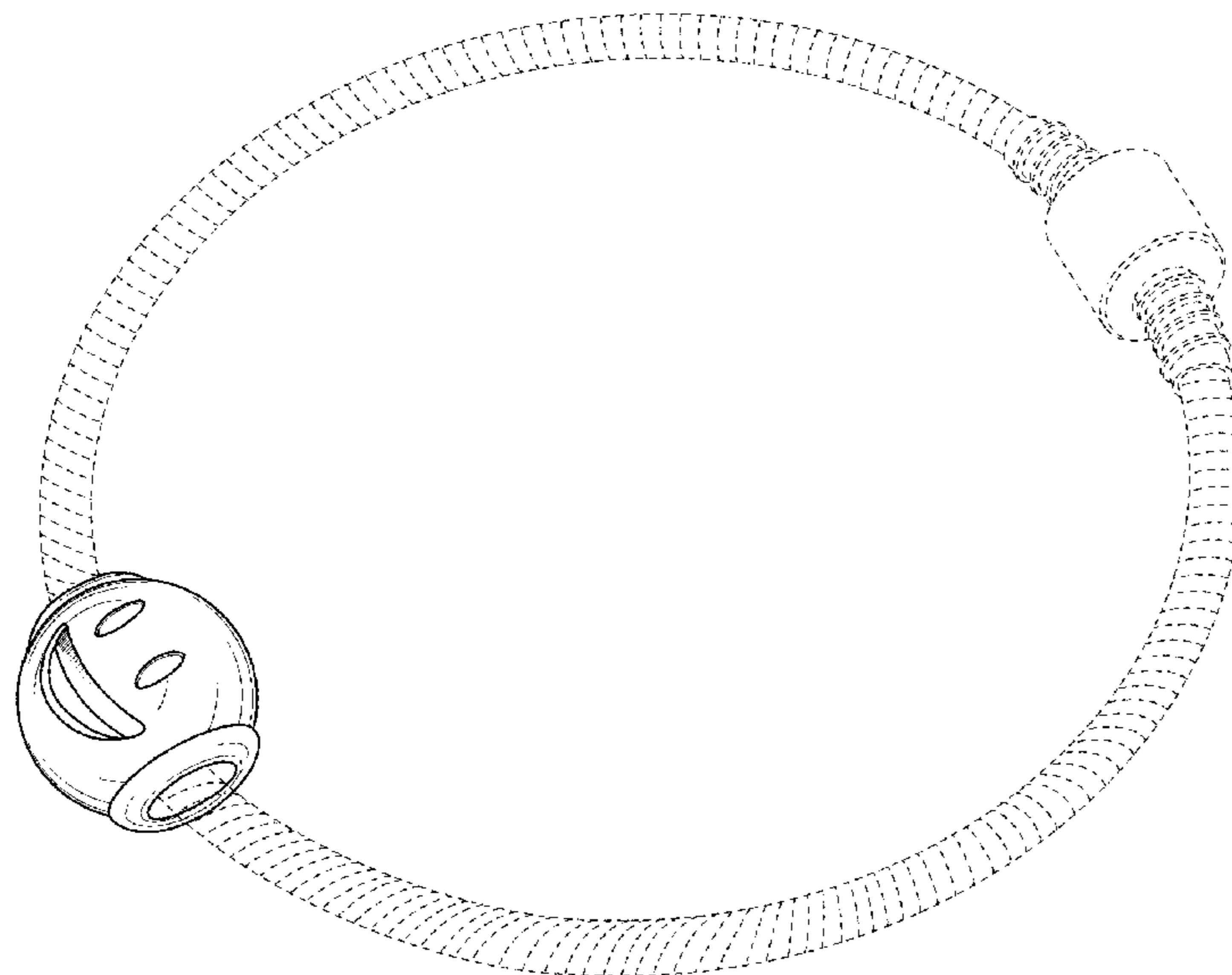
The ornamental design for a bracelet charm, as shown and described.

DESCRIPTION

FIG. 1 is a front, right, top, perspective view for a bracelet charm, showing my new design; FIG. 2 is a front elevational view thereof; FIG. 3 is a rear elevational view thereof; FIG. 4 is a left side elevational view thereof; FIG. 5 is a right side elevational view thereof; FIG. 6 is a top plan view thereof; and, FIG. 7 is a bottom plan view thereof.

The broken lines showing the bracelet is for purpose of illustrating the environment in which the charm embodying the design may be used; the broken lines form no part of the claimed design.

1 Claim, 5 Drawing Sheets



(56)

References Cited

U.S. PATENT DOCUMENTS

D684,881 S * 6/2013 Willard D11/83
D711,276 S * 8/2014 Fehsenfeld D11/1

OTHER PUBLICATIONS

[Online] https://guideimg.alibaba.com/images/shop/105/02/11/6/925-sterling-silver-smiley-happy-face-big-smile-head-bead-for-pandora-troll-european-charm-bracelets_121086.jpg. Retrieved Jul. 18, 2017.*

[Online] https://assets.artbeads.com/__artbeads/1/3/3/rba-smile.jpg. Retrieved Jul. 18, 2017.*

* cited by examiner

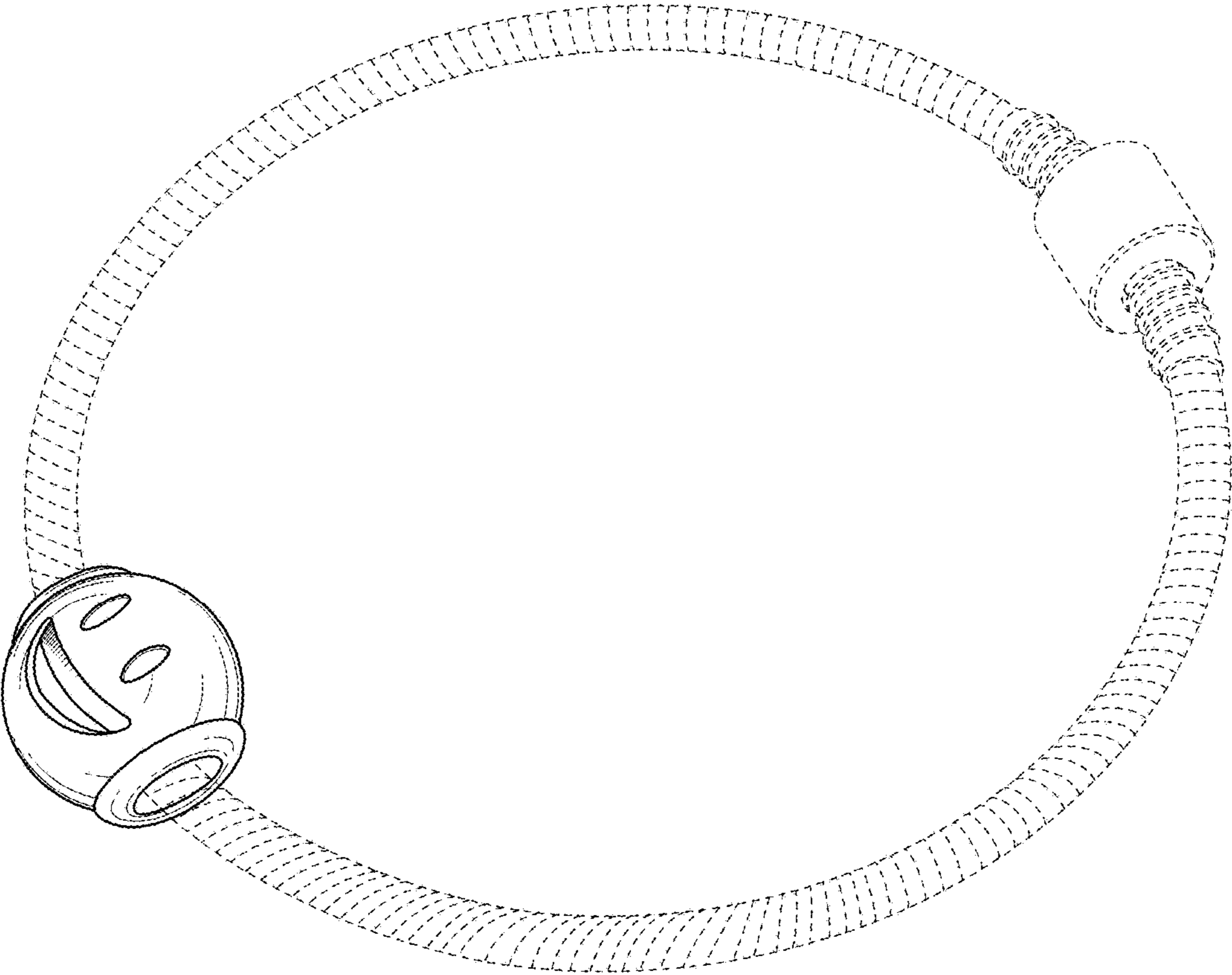


FIG. 1

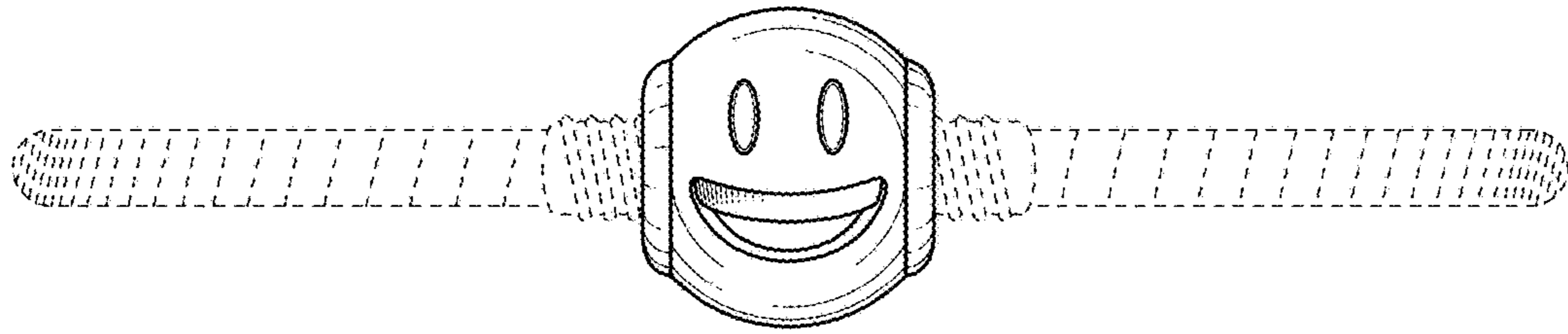


FIG. 2

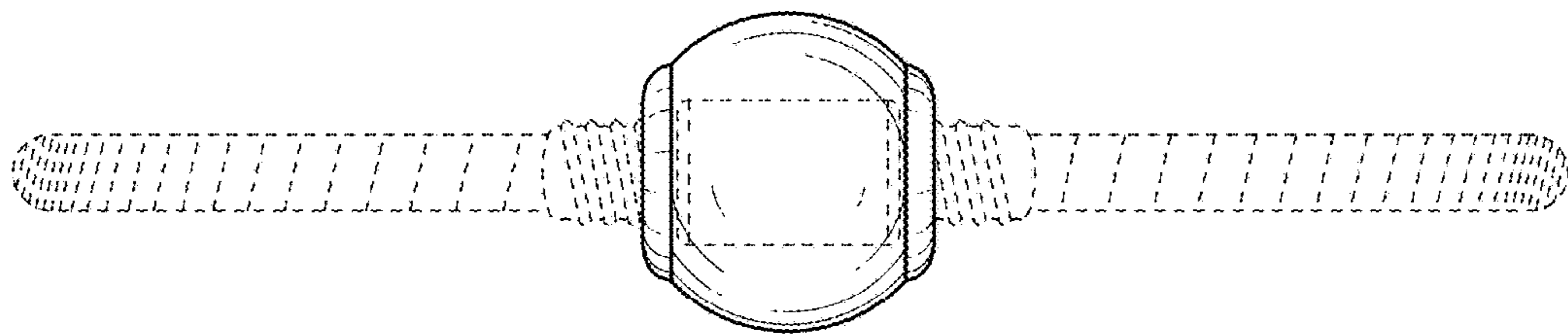


FIG. 3

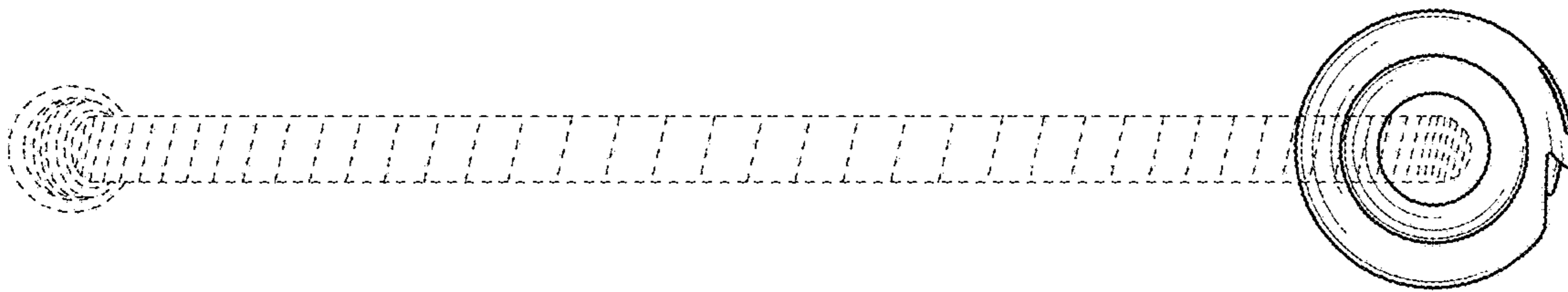


FIG. 4

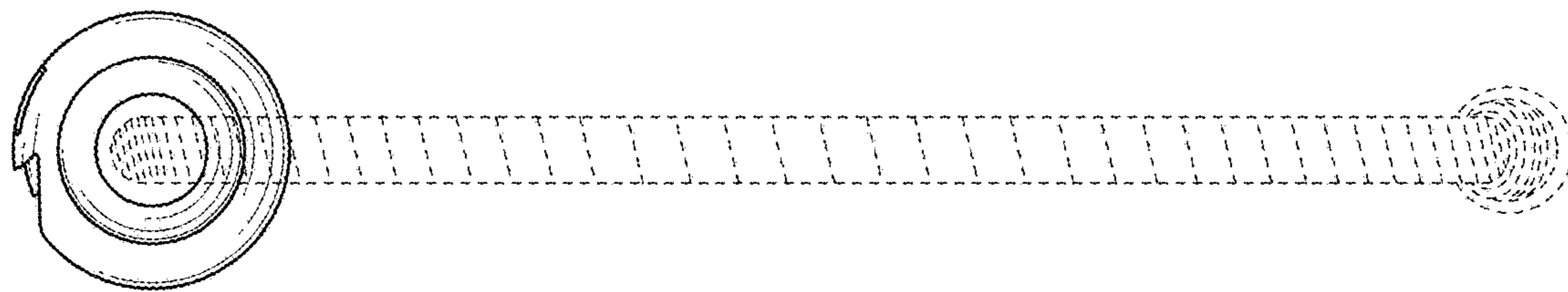


FIG. 5

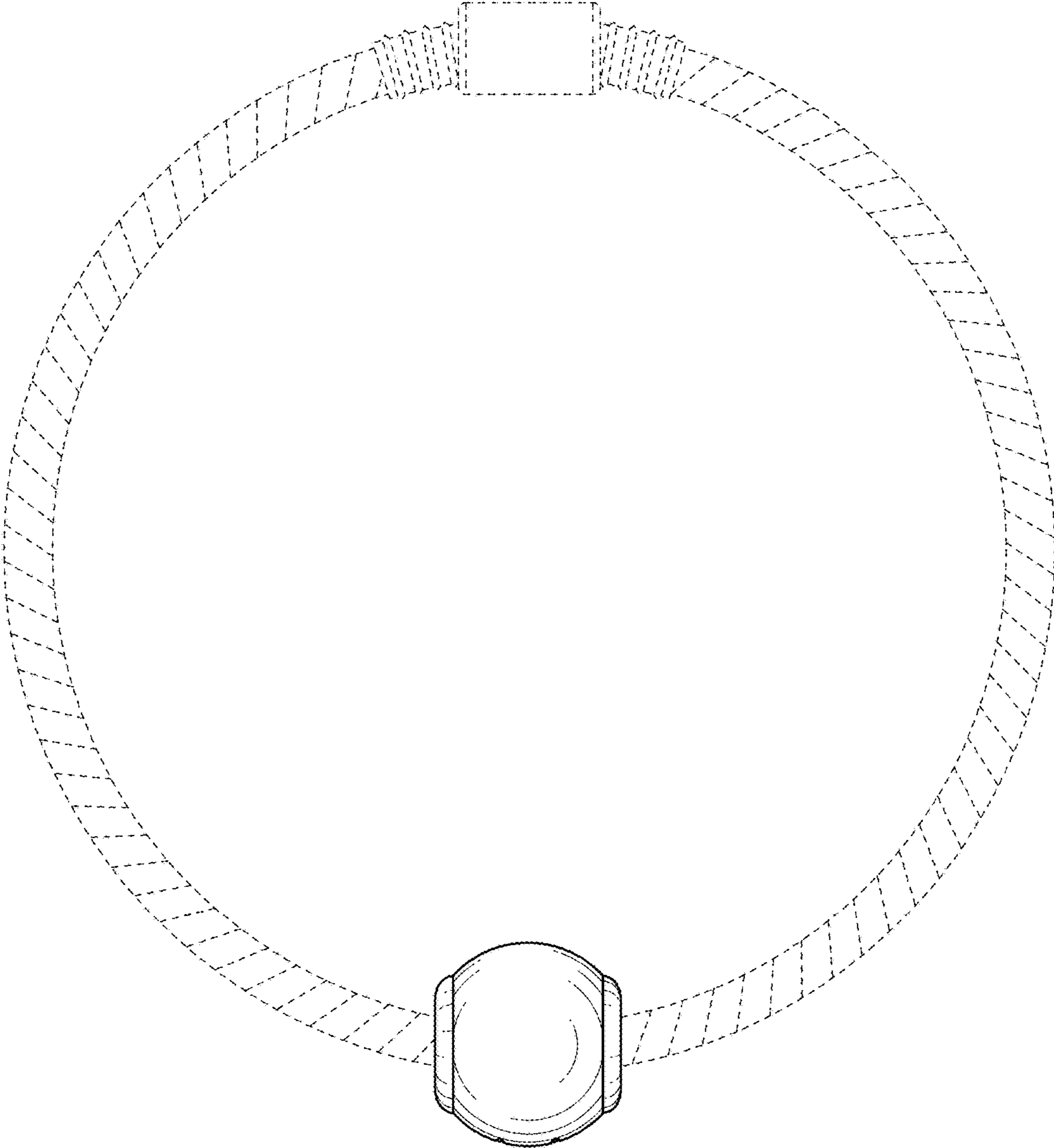


FIG. 6

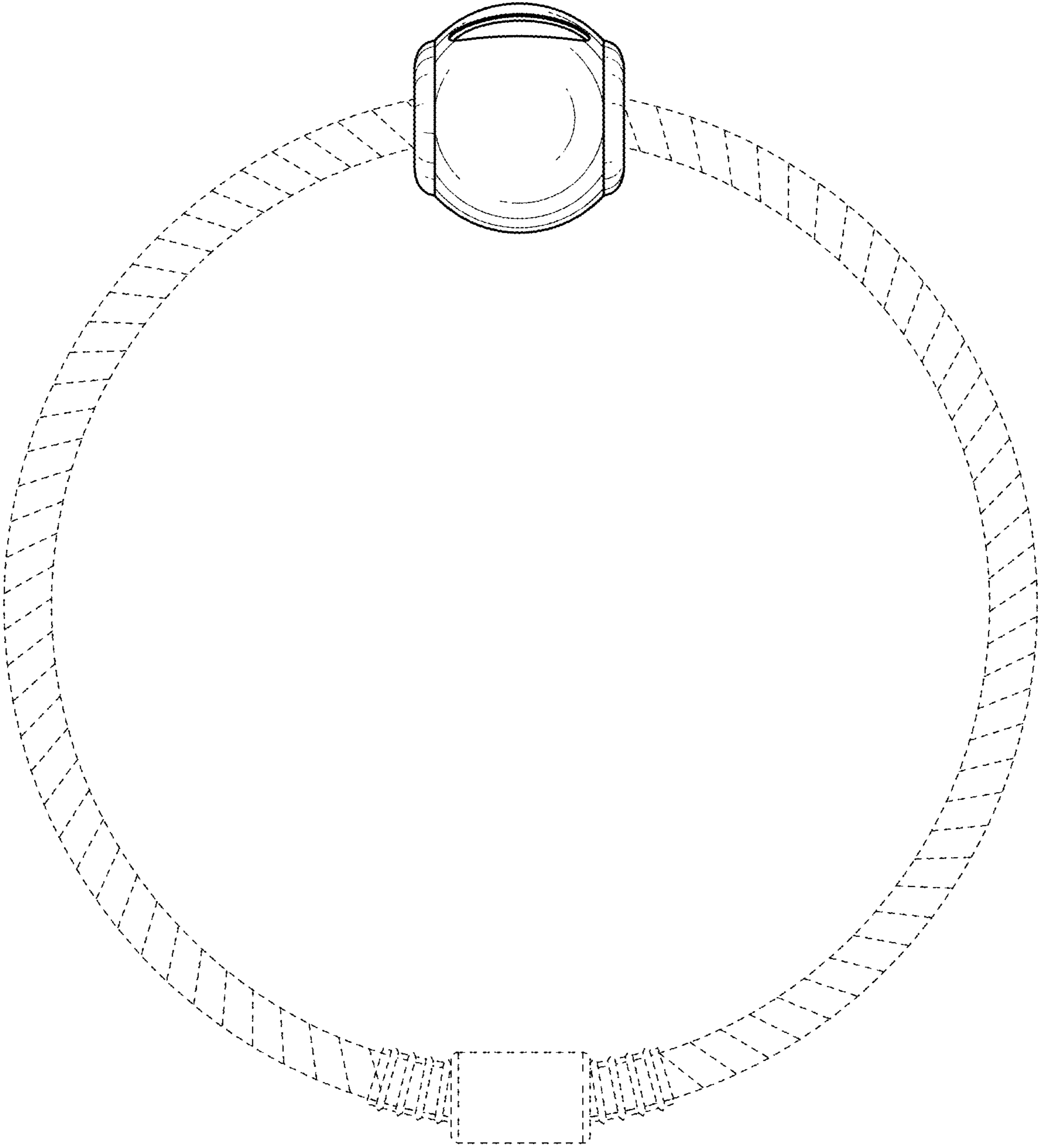


FIG. 7