



US00D803084S

(12) **United States Design Patent** (10) **Patent No.:** **US D803,084 S**  
**Kucala** (45) **Date of Patent:** **\*\* Nov. 21, 2017**

(54) **REFLECTOR FOR AN ALARM DEVICE** 5,251,115 A \* 10/1993 Hillman ..... F21V 7/005  
362/16  
(71) Applicant: **Honeywell International Inc.,** D423,971 S \* 5/2000 Elbinger ..... D10/106.1  
Morristown, NJ (US) D450,007 S \* 11/2001 Volanski ..... D10/104.1  
D727,186 S \* 4/2015 Shamir ..... D10/79  
(72) Inventor: **Thomas Kucala,** Cortland, IL (US) 2014/0091939 A1\* 4/2014 Won ..... G10K 9/22  
340/693.6

(73) Assignee: **HONEYWELL INTERNATIONAL INC.,** Morristown, NJ (US)

\* cited by examiner

(\*\*) Term: **15 Years**

*Primary Examiner* — George D Kirschbaum

*Assistant Examiner* — Joseph Kukella

(21) Appl. No.: **29/561,424**

(74) *Attorney, Agent, or Firm* — Husch Blackwell LLP

(22) Filed: **Apr. 15, 2016**

(51) **LOC (10) Cl.** ..... **10-06**

(57) **CLAIM**

(52) **U.S. Cl.**  
USPC ..... **D10/121**

The ornamental design for a reflector for an alarm device, as shown and described.

(58) **Field of Classification Search**  
USPC ..... D10/46, 75, 78-80, 104.1, 106.1-106.9,  
D10/116.1, 118, 118.2, 119.1, 121, 125,  
D10/126, 132; D8/401; D14/159;  
D13/158, 184  
CPC ..... G08B 17/06; G08B 17/10; G08B 17/103;  
G08B 17/107; G08B 21/12; G08B 21/22;  
G08B 15/00; H04M 11/02; H04M  
11/025; H04N 7/186  
See application file for complete search history.

**DESCRIPTION**

FIG. 1 is a perspective view of the reflector for an alarm device.

FIG. 2 is a bottom plan view thereof.

FIG. 3 is a top plan view thereof shown in an inverted orientation relative to FIG. 2.

FIG. 4 is a first side elevation view thereof.

FIG. 5 is a second side elevation view thereof.

FIG. 6 is a front elevation view thereof; and,

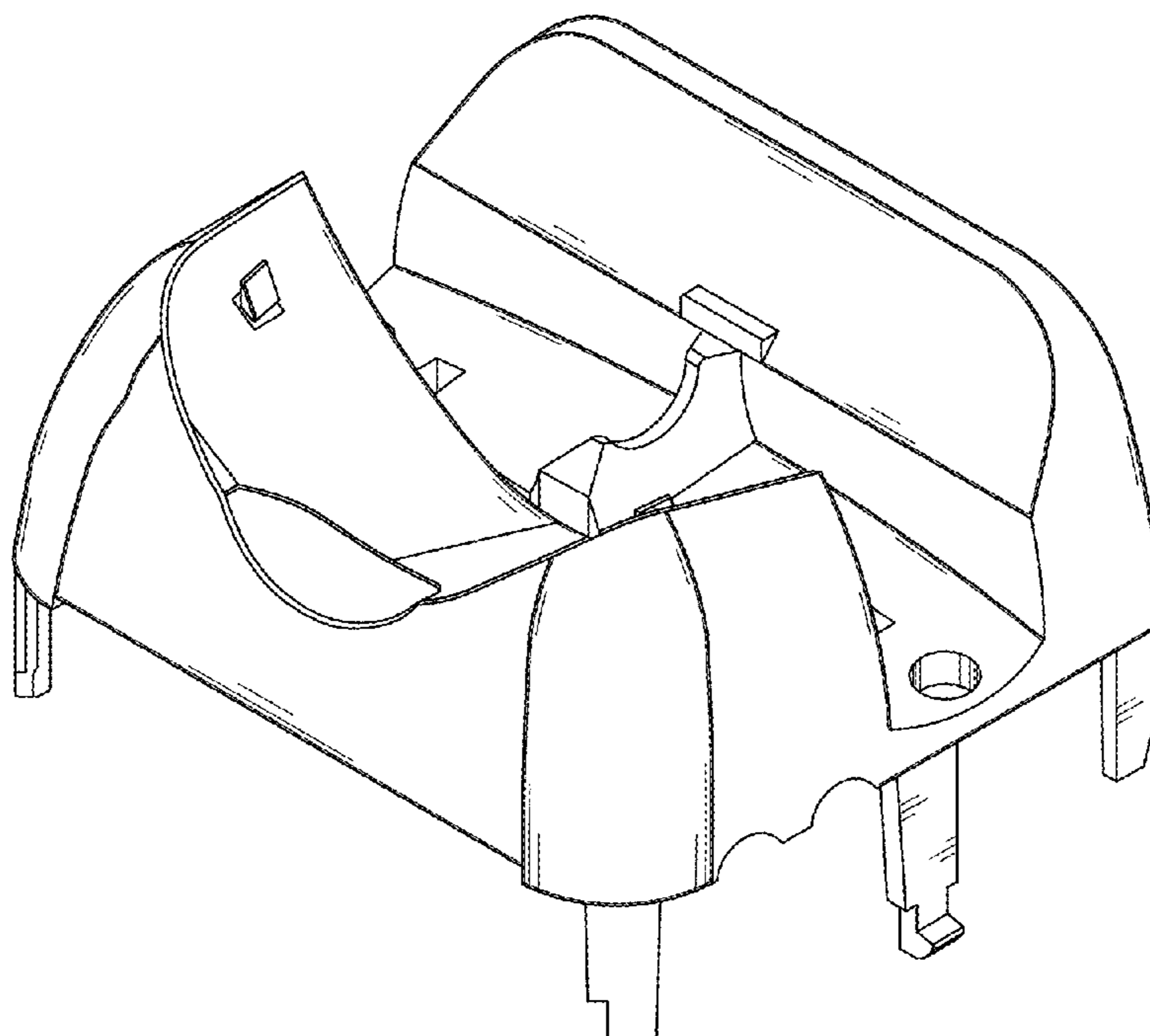
FIG. 7 is a rear elevation view thereof shown in an inverted orientation relative to FIG. 6.

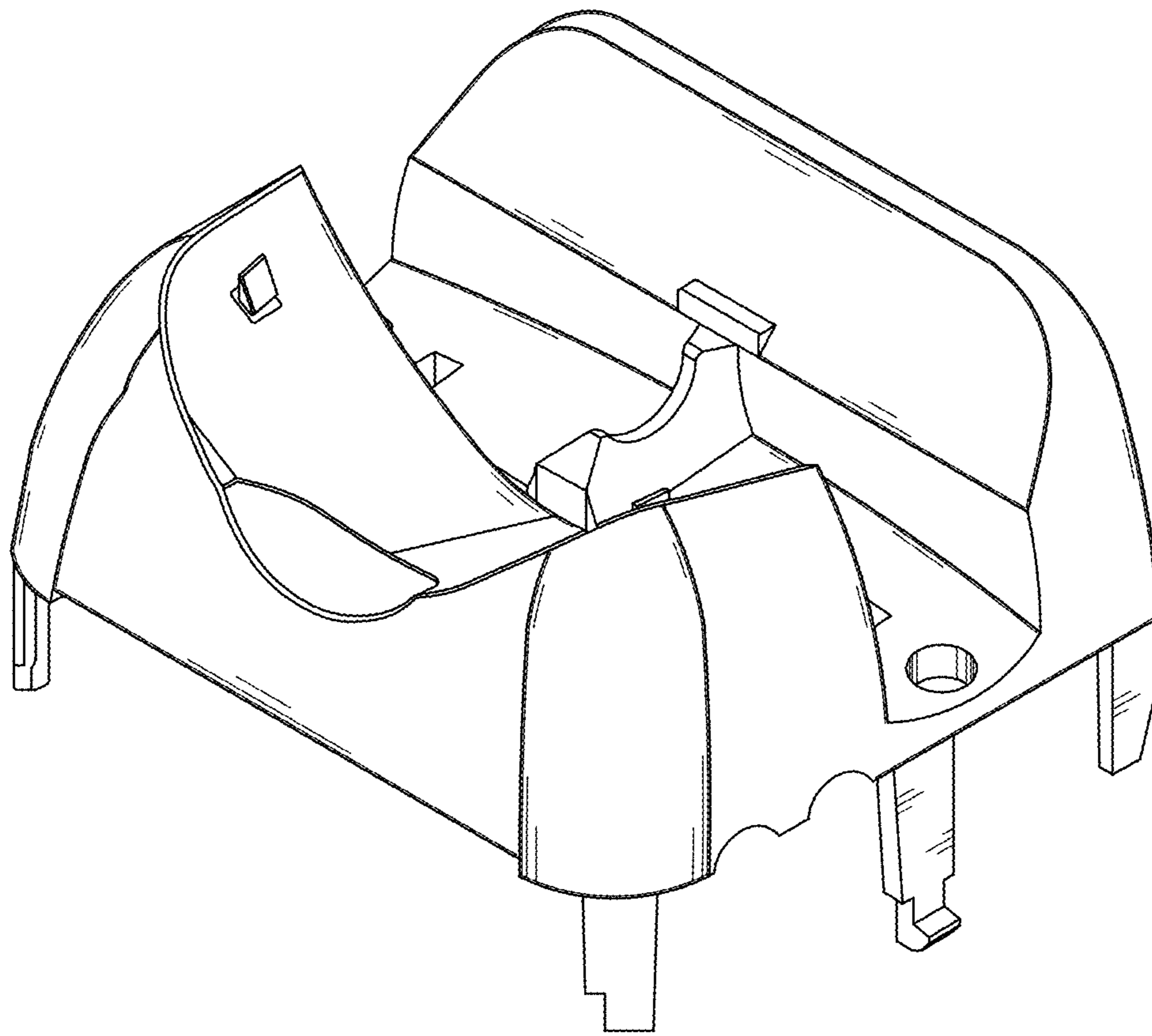
(56) **References Cited**

**U.S. PATENT DOCUMENTS**

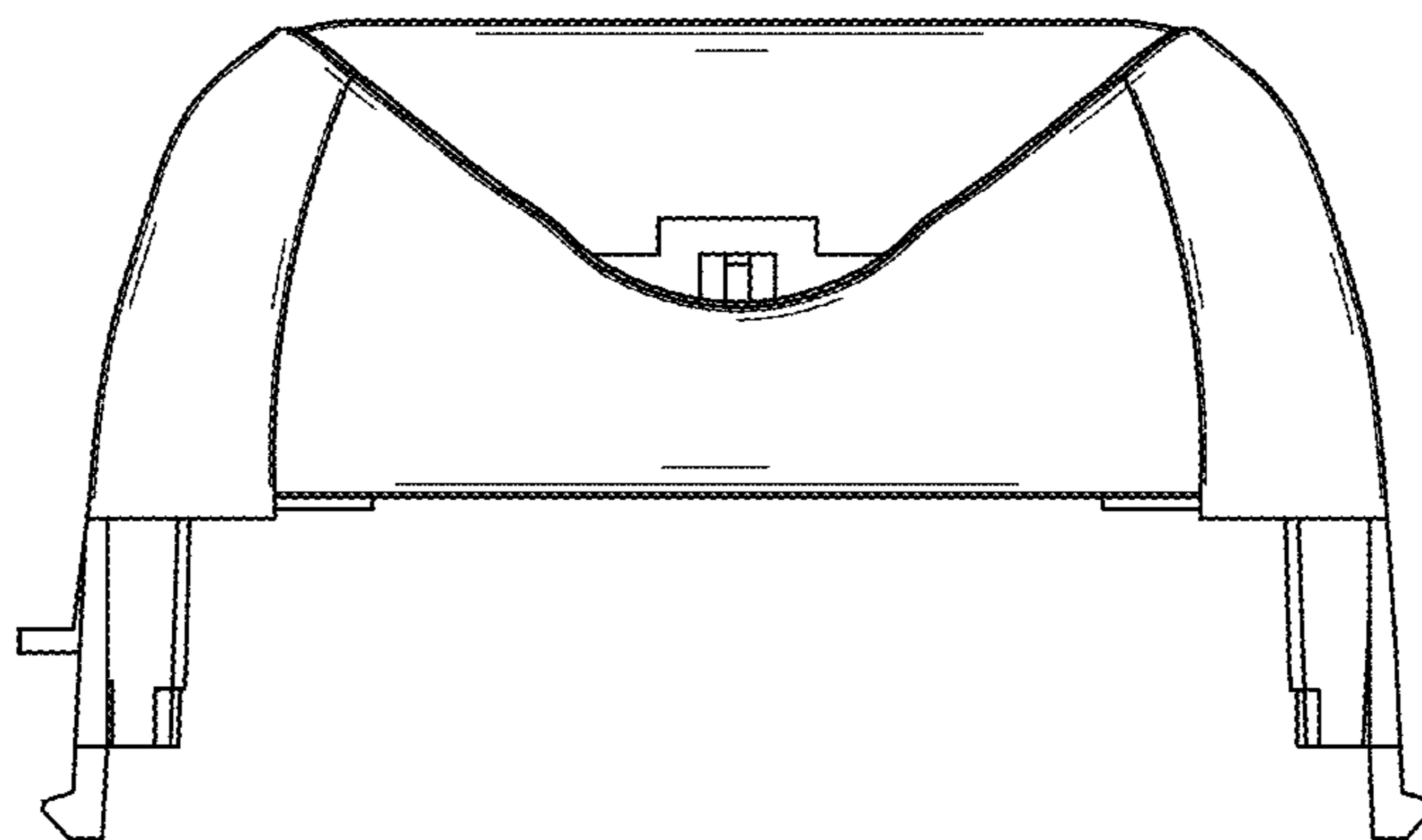
4,317,625 A \* 3/1982 Van Allen ..... G03B 15/05  
362/16  
4,412,276 A \* 10/1983 Blinow ..... F21V 7/10  
362/16

**1 Claim, 4 Drawing Sheets**

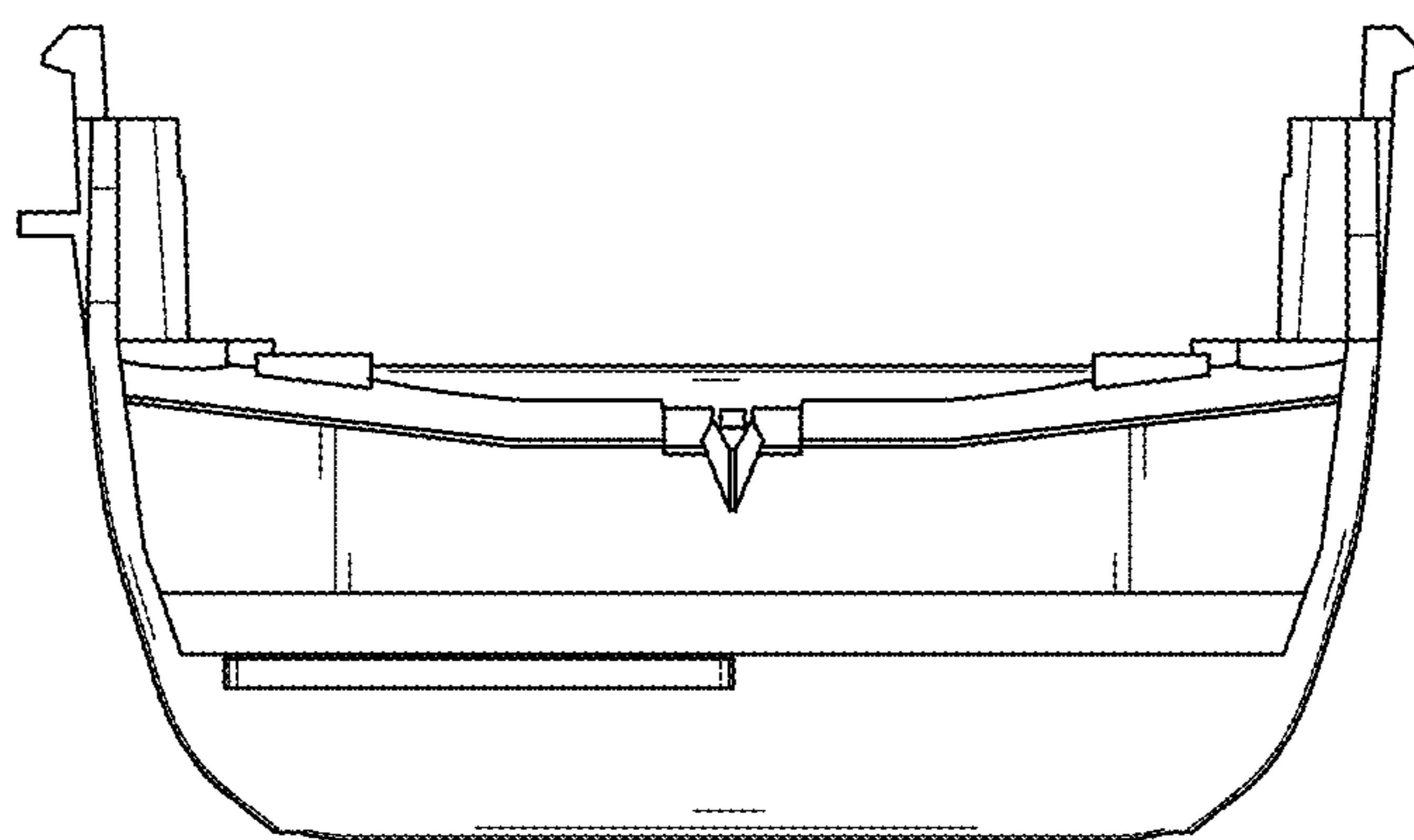




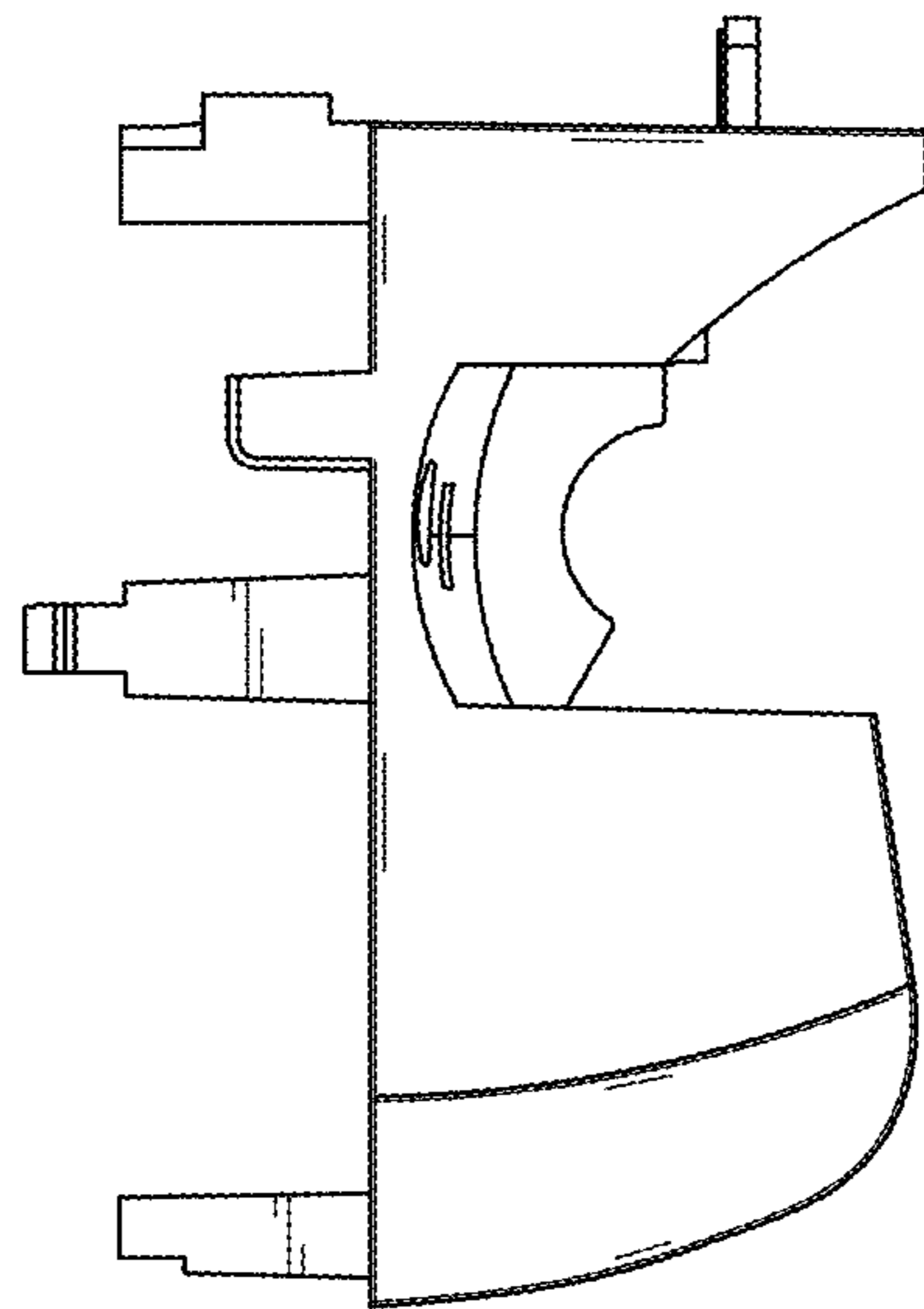
*FIG. 1*



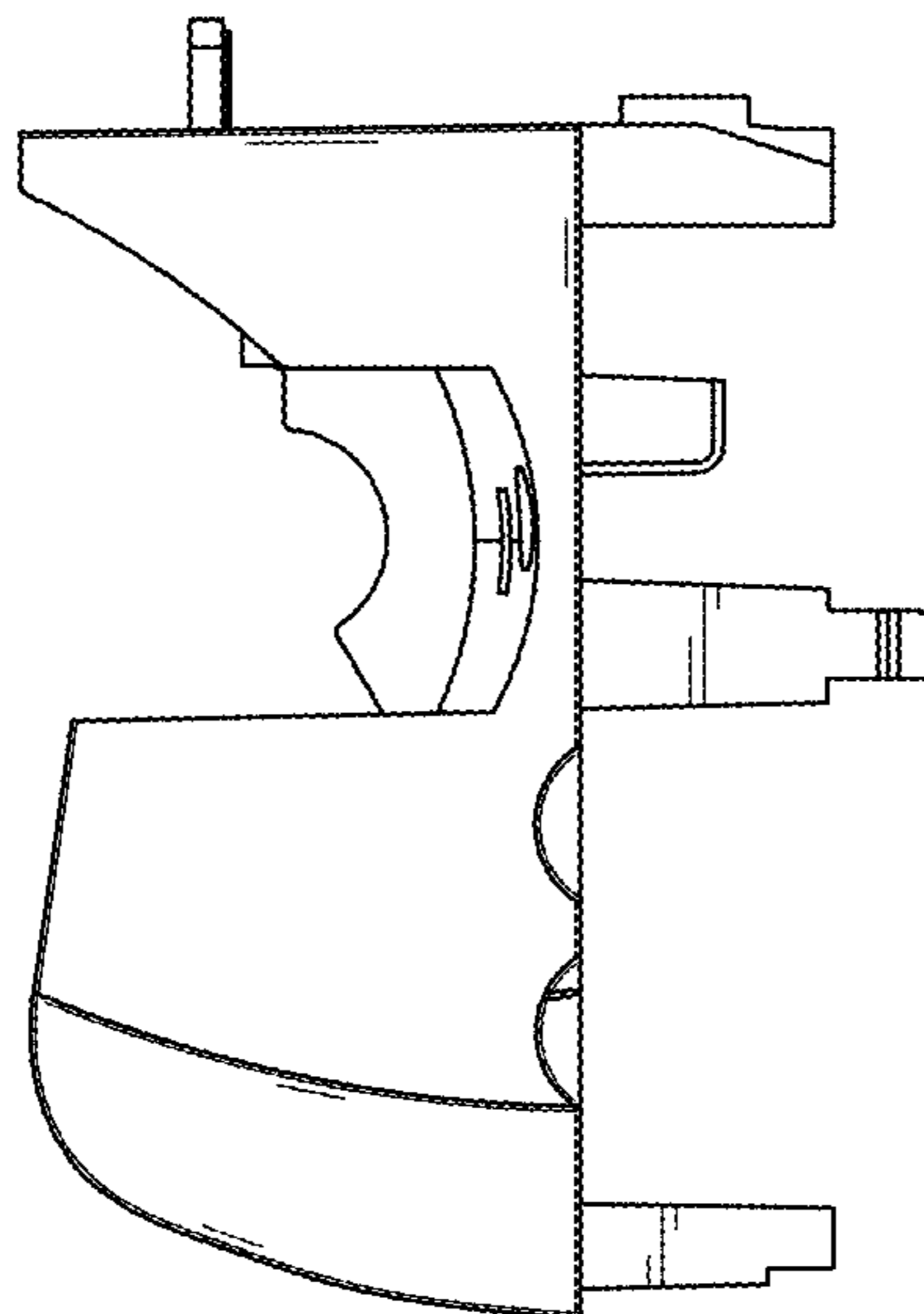
*FIG. 2*



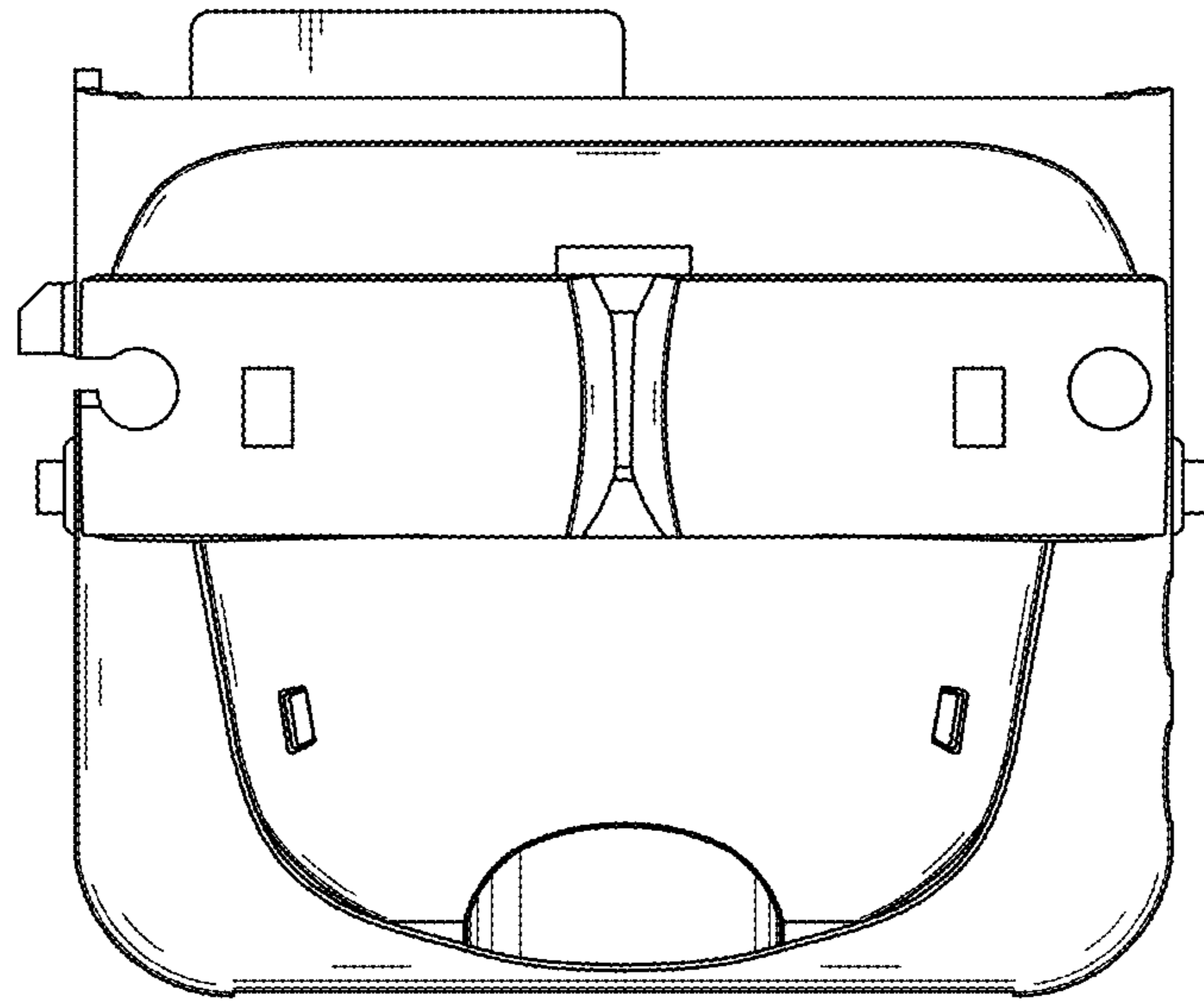
*FIG. 3*



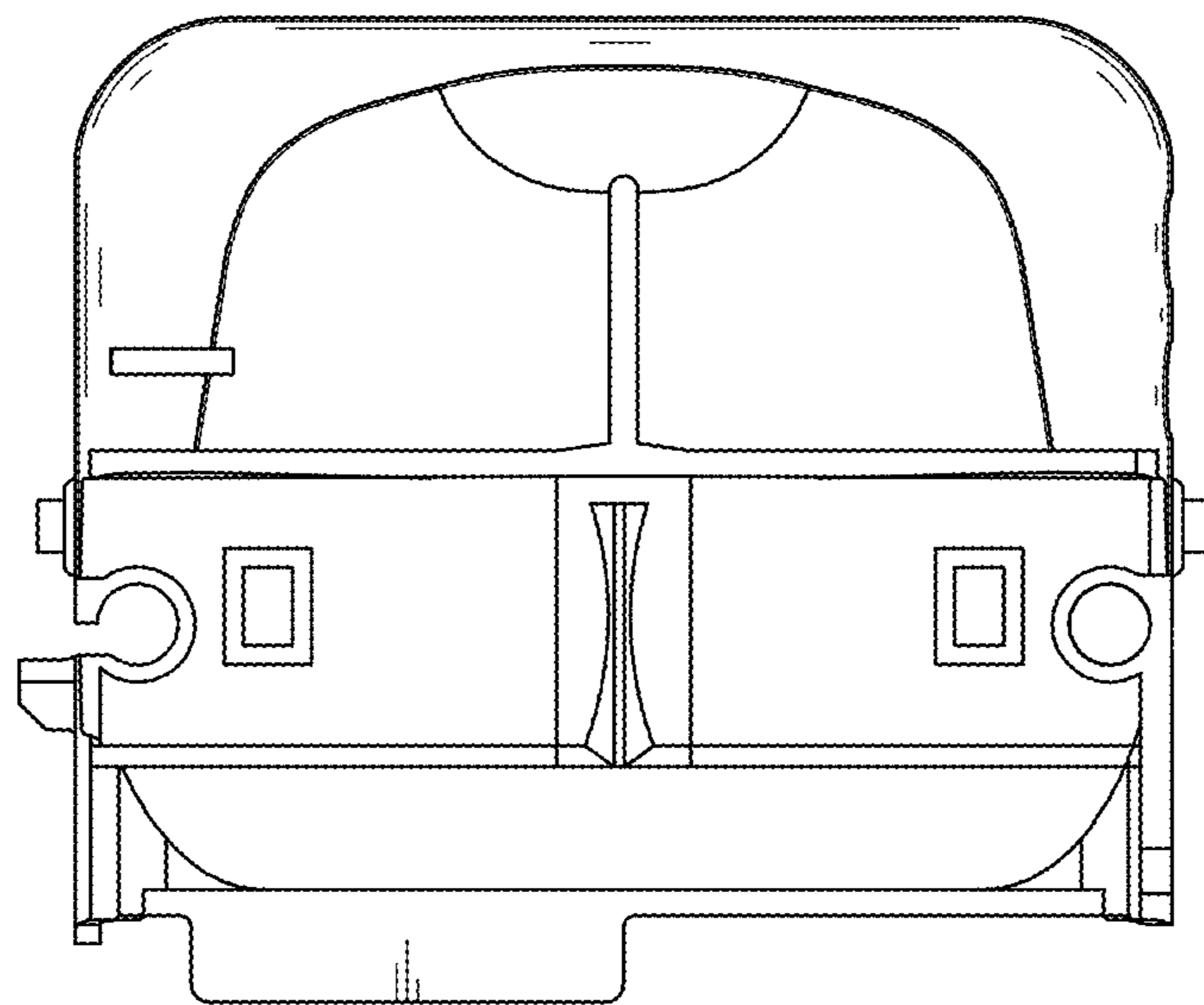
*FIG. 4*



*FIG. 5*



*FIG. 6*



*FIG. 7*