



US00D803083S

(12) **United States Design Patent** (10) **Patent No.:** **US D803,083 S**
Bernhagen et al. (45) **Date of Patent:** **** Nov. 21, 2017**

(54) **SENSOR RECEIVER**

(71) Applicant: **Pella Corporation**, Pella, IA (US)

(72) Inventors: **Todd A. Bernhagen**, Pella, IA (US);
Howard C. Anderson, III, Pella, IA (US);
Evan R. Vande Haar, Pella, IA (US)

(73) Assignee: **Pella Corporation**, Pella, IA (US)

(**) Term: **15 Years**

(21) Appl. No.: **29/563,706**

(22) Filed: **May 6, 2016**

(51) **LOC (10) Cl.** **10-05**

(52) **U.S. Cl.**
USPC **D10/106.1**

(58) **Field of Classification Search**
USPC D10/46, 75, 78-80, 104.1, 106.1-106.9,
D10/116.1, 118, 118.2, 119.1, 121, 125,
D10/126, 132; D8/401; D14/159;
D13/158, 184
CPC G08B 17/06; G08B 17/10; G08B 17/103;
G08B 17/107; G08B 21/12; G08B 21/22;
G08B 15/00; H04M 11/02; H04M
11/025; H04N 7/186

See application file for complete search history.

(56) **References Cited**

U.S. PATENT DOCUMENTS

D560,133 S * 1/2008 Heller D10/106.1
8,514,585 B2 * 8/2013 Zhang H05K 5/0269
361/679.32

2010/0153608 A1* 6/2010 Olesiewicz H05K 7/1487
710/303
2010/0254096 A1* 10/2010 Kim G06F 1/185
361/737
2010/0254100 A1* 10/2010 Kim H05K 7/1461
361/752
2015/0346783 A1* 12/2015 Kinstle, III G06F 1/20
361/679.48

* cited by examiner

Primary Examiner — George D Kirschbaum

Assistant Examiner — Joseph Kukella

(74) *Attorney, Agent, or Firm* — Faegre Baker Daniels
LLP

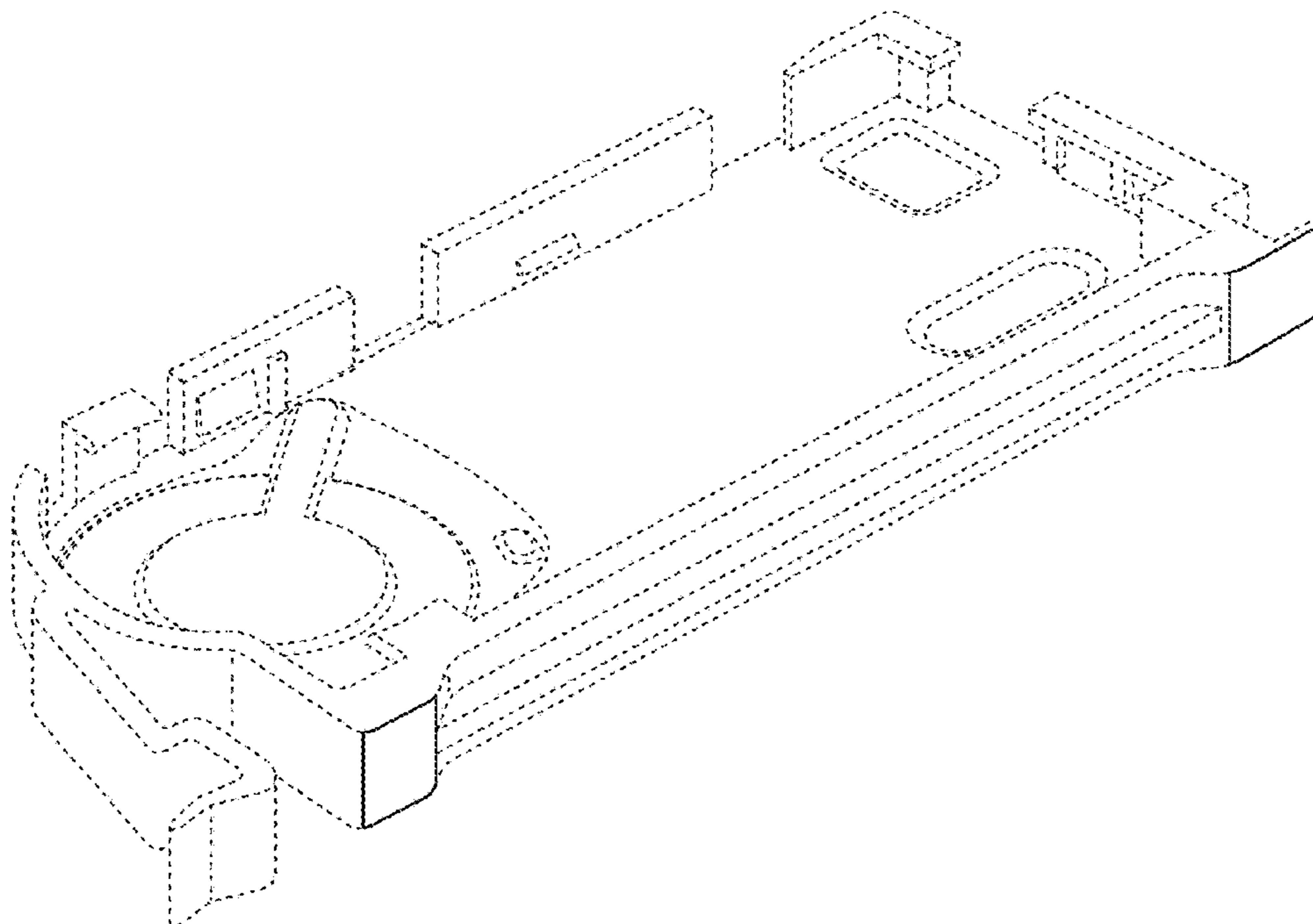
(57) **CLAIM**

The ornamental design for a sensor receiver, as shown and described.

DESCRIPTION

FIG. 1 is an isometric view from a first, side perspective of a sensor receiver;
FIG. 2 is a first side view thereof;
FIG. 3 is a second side view thereof;
FIG. 4 is a third side view thereof;
FIG. 5 is a fourth side view thereof;
FIG. 6 is a top side view thereof; and,
FIG. 7 is a bottom side view thereof.
In the drawings, the broken lines depict environmental subject matter only and form no part of the claimed design.

1 Claim, 3 Drawing Sheets



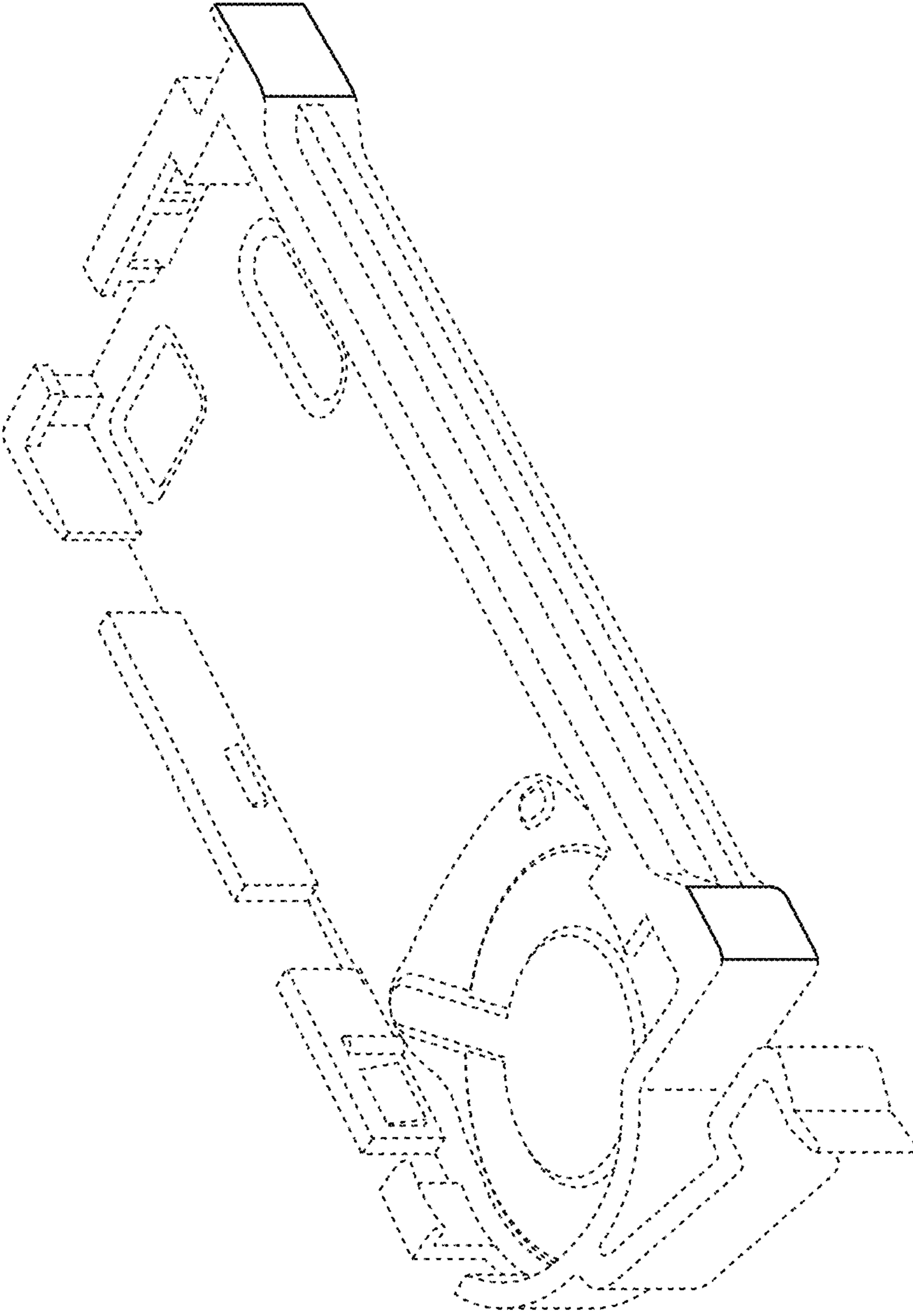


FIG. 1

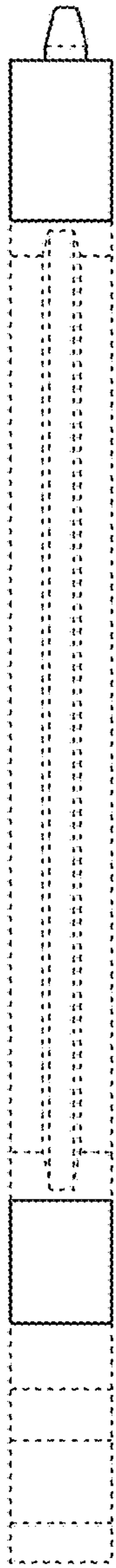


FIG. 2

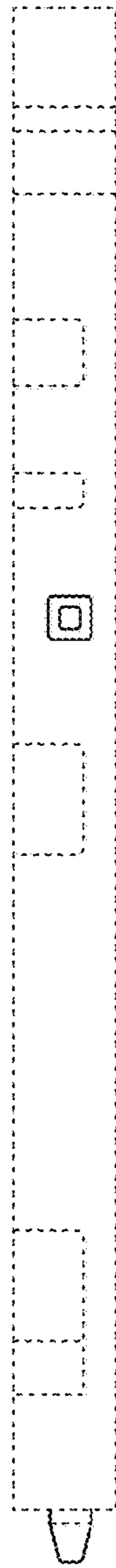


FIG. 3

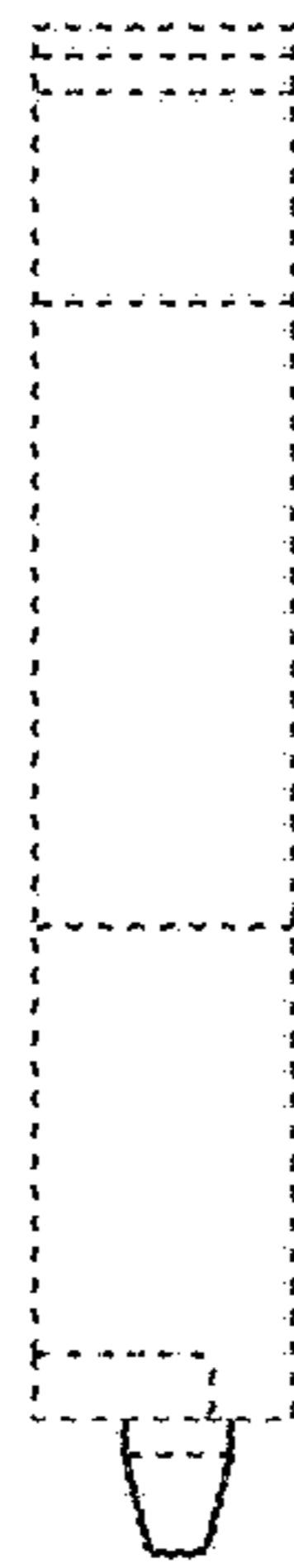


FIG. 4

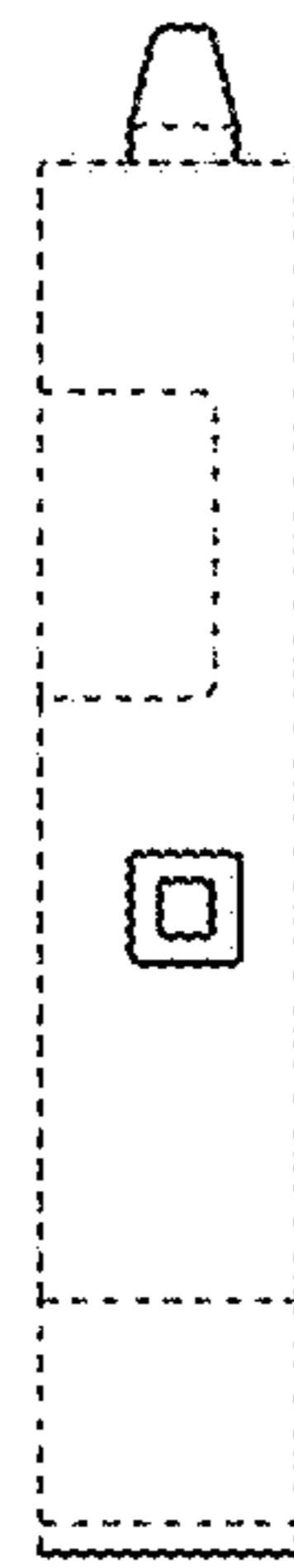


FIG. 5

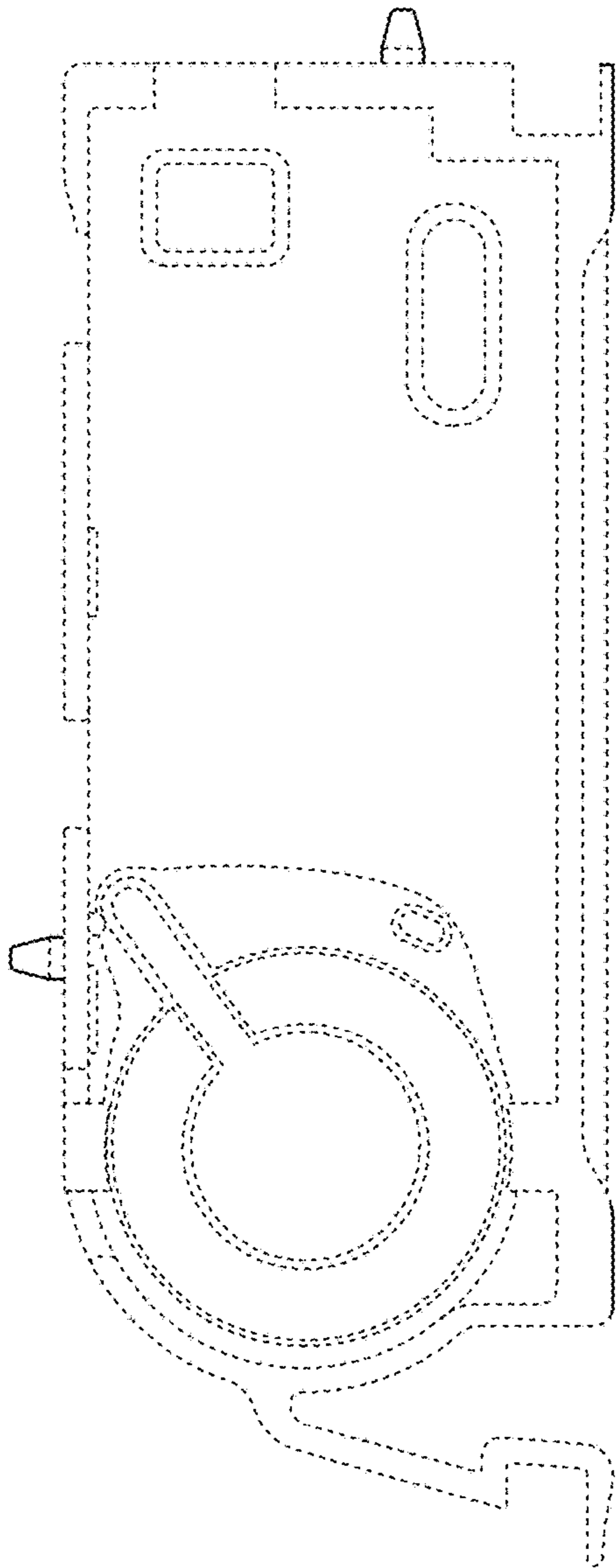


FIG. 6

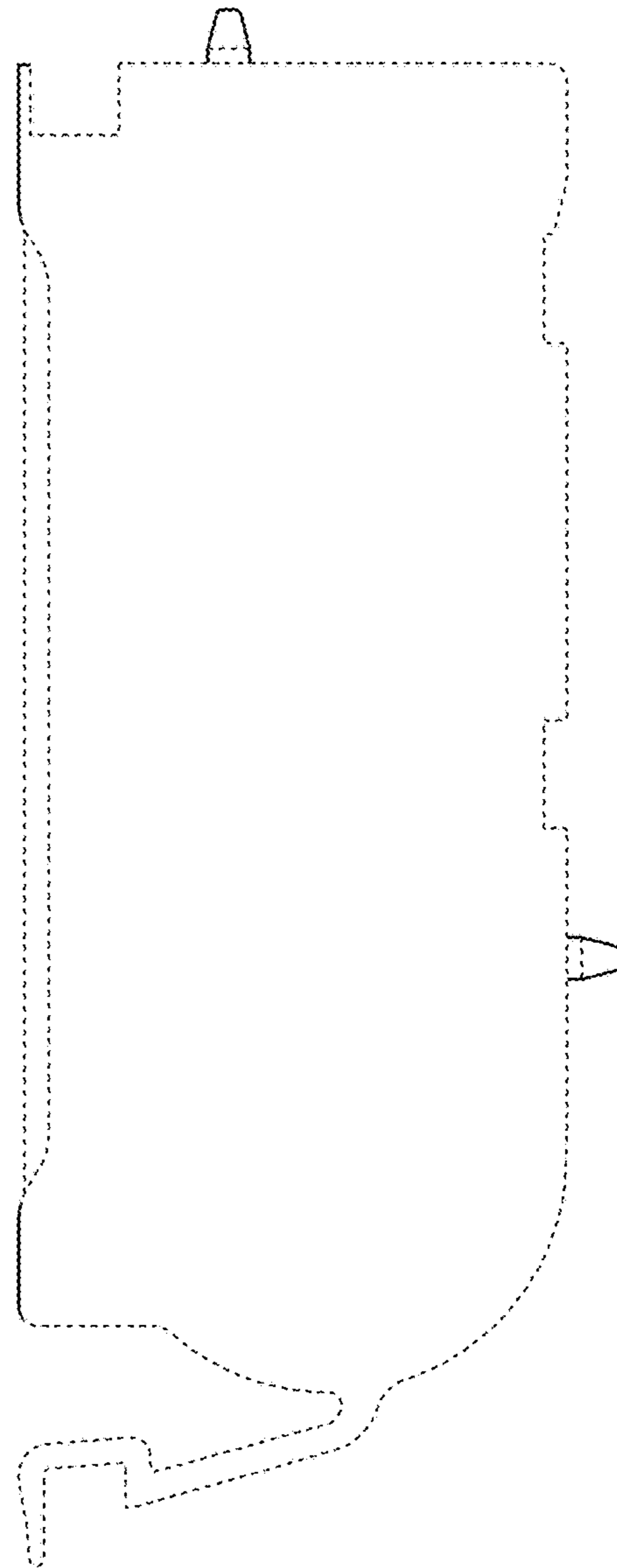


FIG. 7