



US00D803082S

(12) **United States Design Patent** (10) **Patent No.:** **US D803,082 S**
Banschbach et al. (45) **Date of Patent:** **** Nov. 21, 2017**

(54) **PRESSURE SENSOR**

(56) **References Cited**

(71) Applicant: **WIKA Alexander Wiegand SE & Co.**
KG, Klingenberg (DE)

U.S. PATENT DOCUMENTS

(72) Inventors: **Thomas Banschbach**, Klingenberg
(DE); **Rupert Blaesi**, Burgrieden (DE);
Peter Koloch, Burgrieden (DE)

D253,811 S * 1/1980 Bljumshtein D10/85
D653,572 S * 2/2012 Ohtani D10/102
D790,379 S * 6/2017 Matsumiya D10/85

* cited by examiner

(73) Assignee: **WIKA Alexander Wiegand SE & Co.**
KG, Klingenberg (DE)

Primary Examiner — Antoine D Davis

(74) *Attorney, Agent, or Firm* — Muncy, Geissler, Olds &
Lowe, P.C.

(**) Term: **15 Years**

(57) **CLAIM**

The ornamental design for a pressure sensor, as shown and
described.

(21) Appl. No.: **29/569,341**

DESCRIPTION

(22) Filed: **Jun. 27, 2016**

(51) **LOC (10) Cl.** **10-04**

(52) **U.S. Cl.**
USPC **D10/85**

(58) **Field of Classification Search**
USPC D10/85
CPC G01D 11/24; G01D 11/245; G01L 7/04;
G01L 19/14; G01L 19/141; G01L 19/142;
G01L 19/16; Y10T 137/3662; Y10T
137/3709; Y10T 137/3677

FIG. 1 is a front perspective view of a pressure sensor
according to the present invention.

FIG. 2 is a front view of the pressure sensor of FIG. 1.

FIG. 3 is a rear view of the pressure sensor of FIG. 1.

FIG. 4 is a left side view of the pressure sensor of FIG. 1.

FIG. 5 is a right side view of the pressure sensor of FIG. 1.

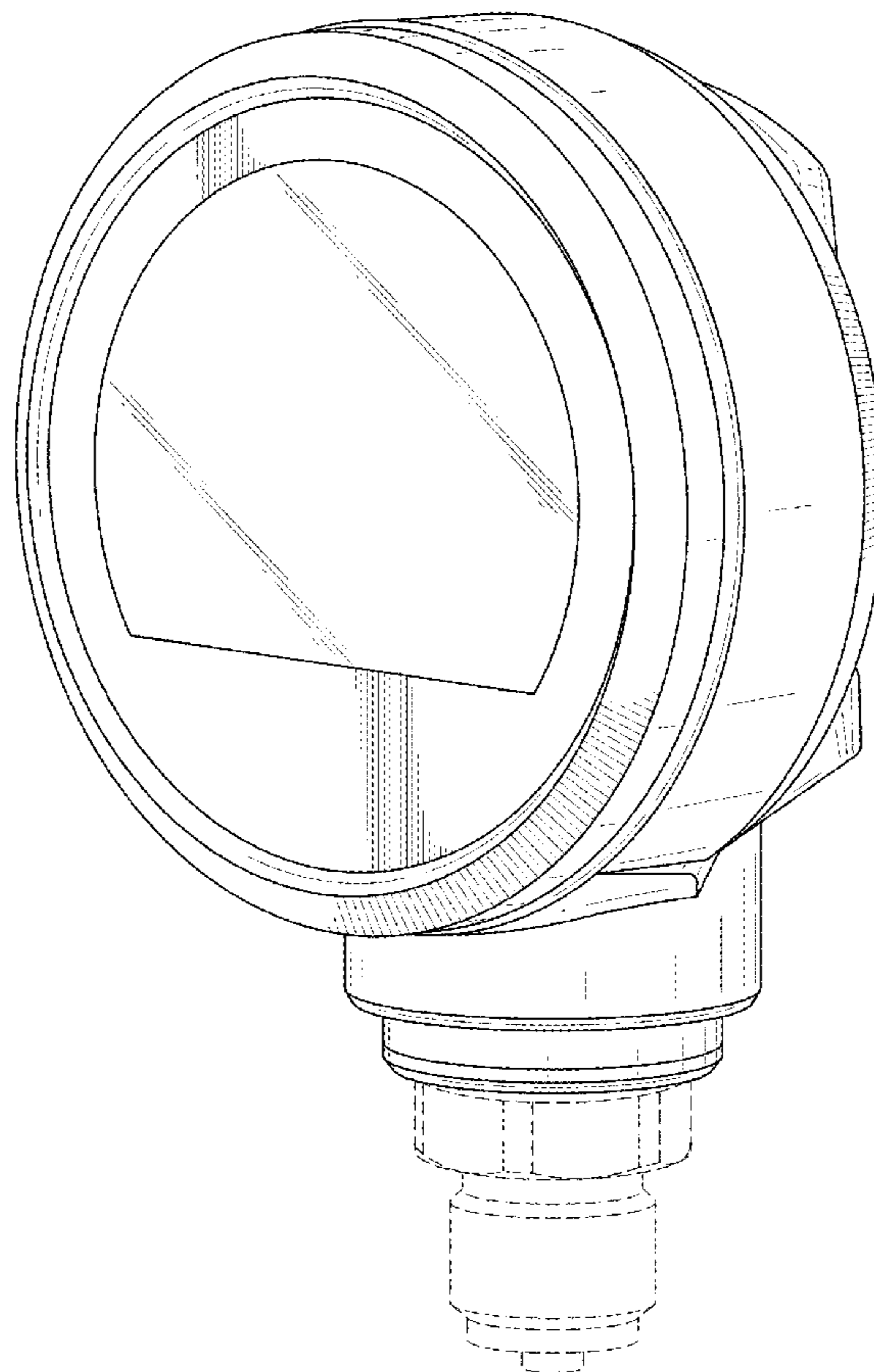
FIG. 6 is a top view of the pressure sensor of FIG. 1; and,

FIG. 7 is a bottom view of the pressure sensor of FIG. 1.

The dashed lines illustrate environment that does not form a
part of the present invention, and no claim is made to the
material illustrated with dashed lines.

See application file for complete search history.

1 Claim, 7 Drawing Sheets



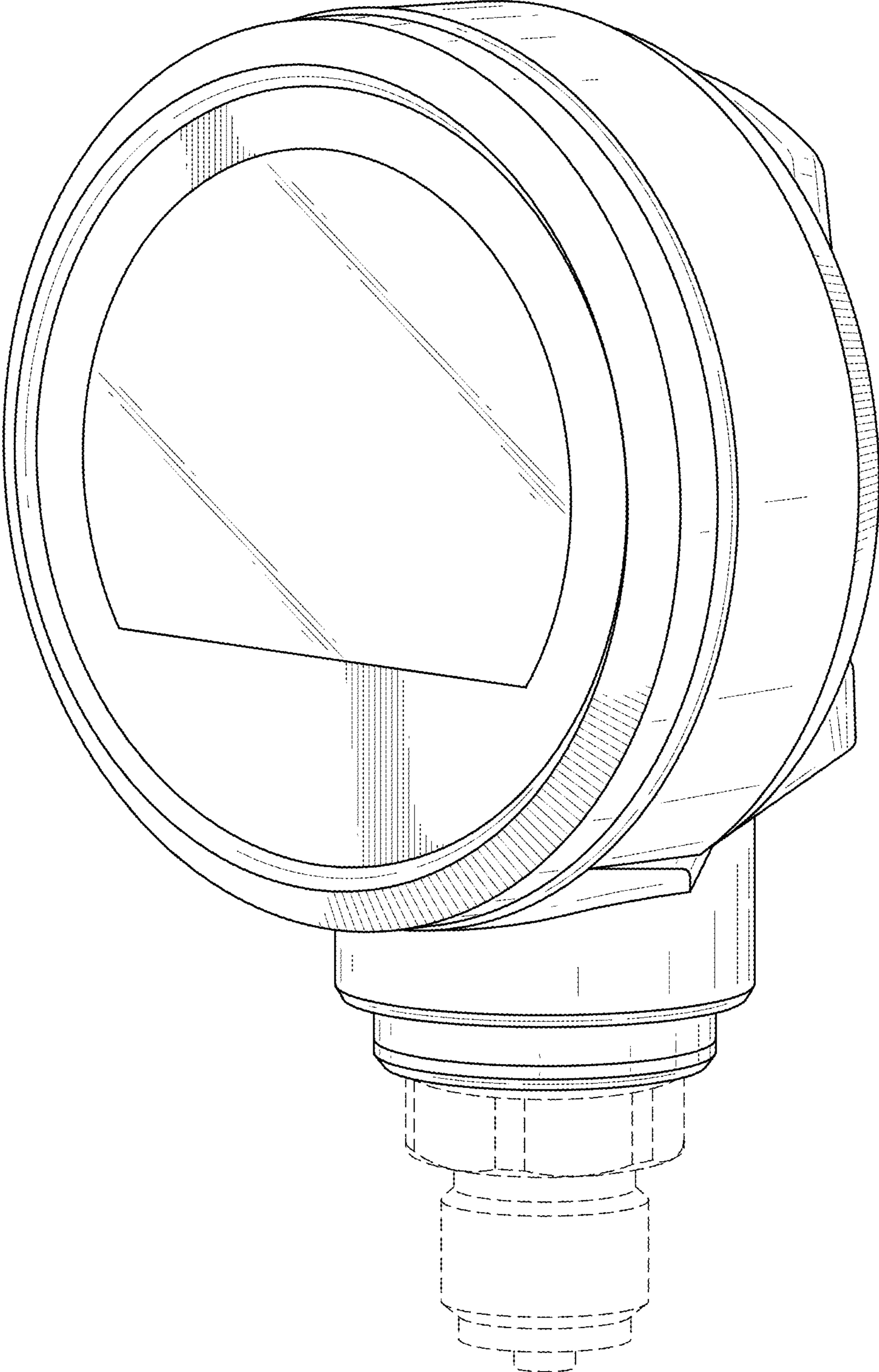


FIG. 1

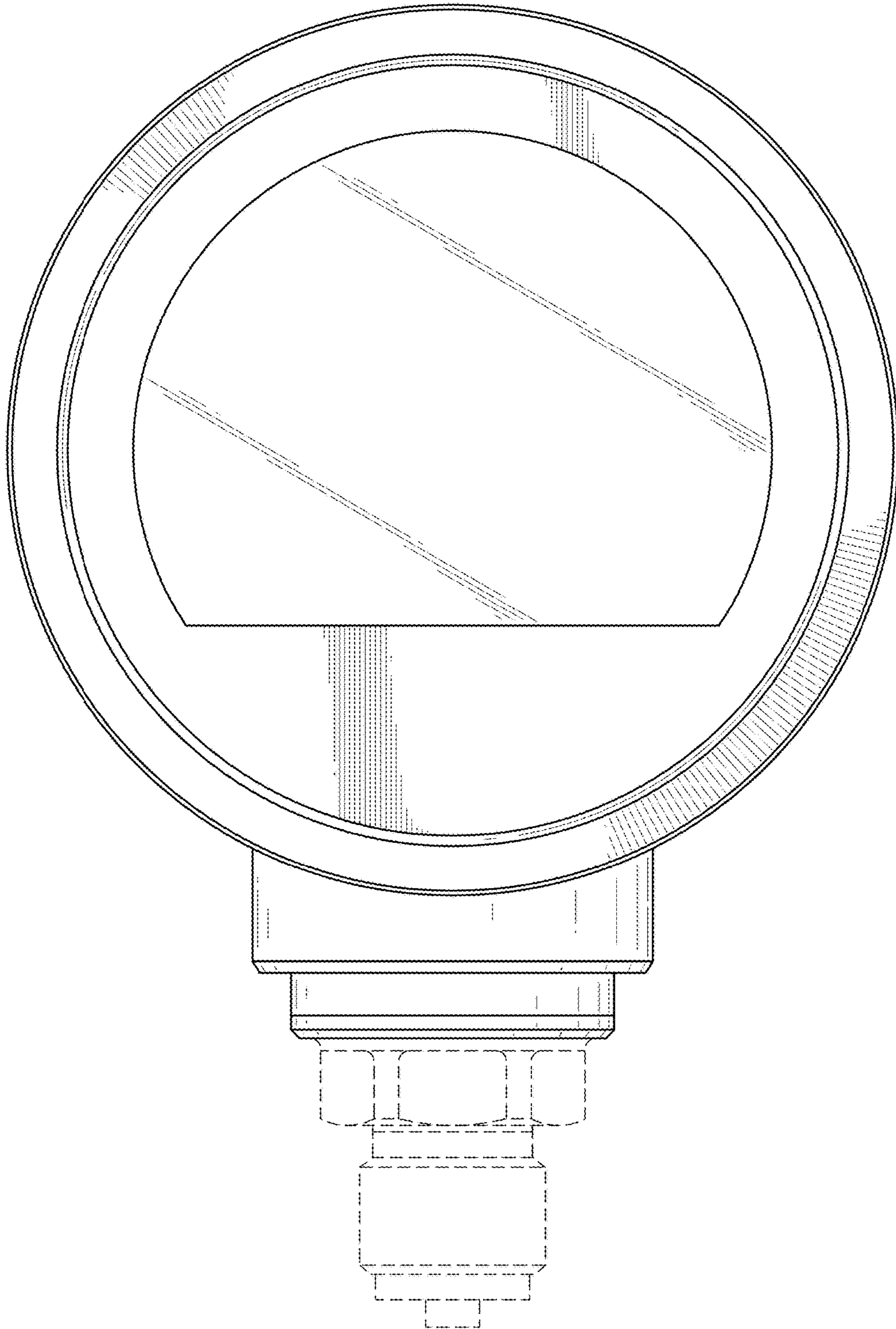


FIG.2

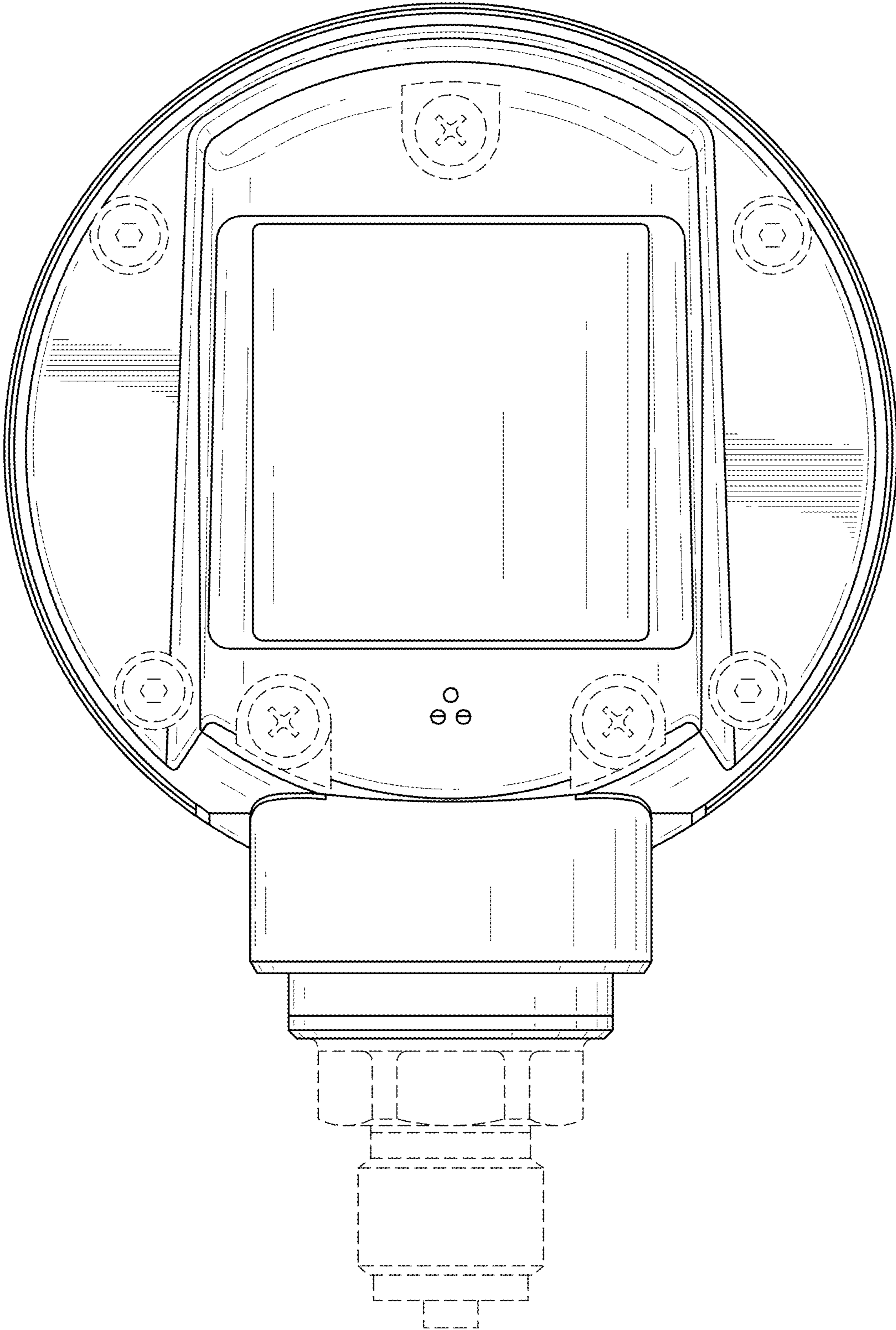


FIG.3

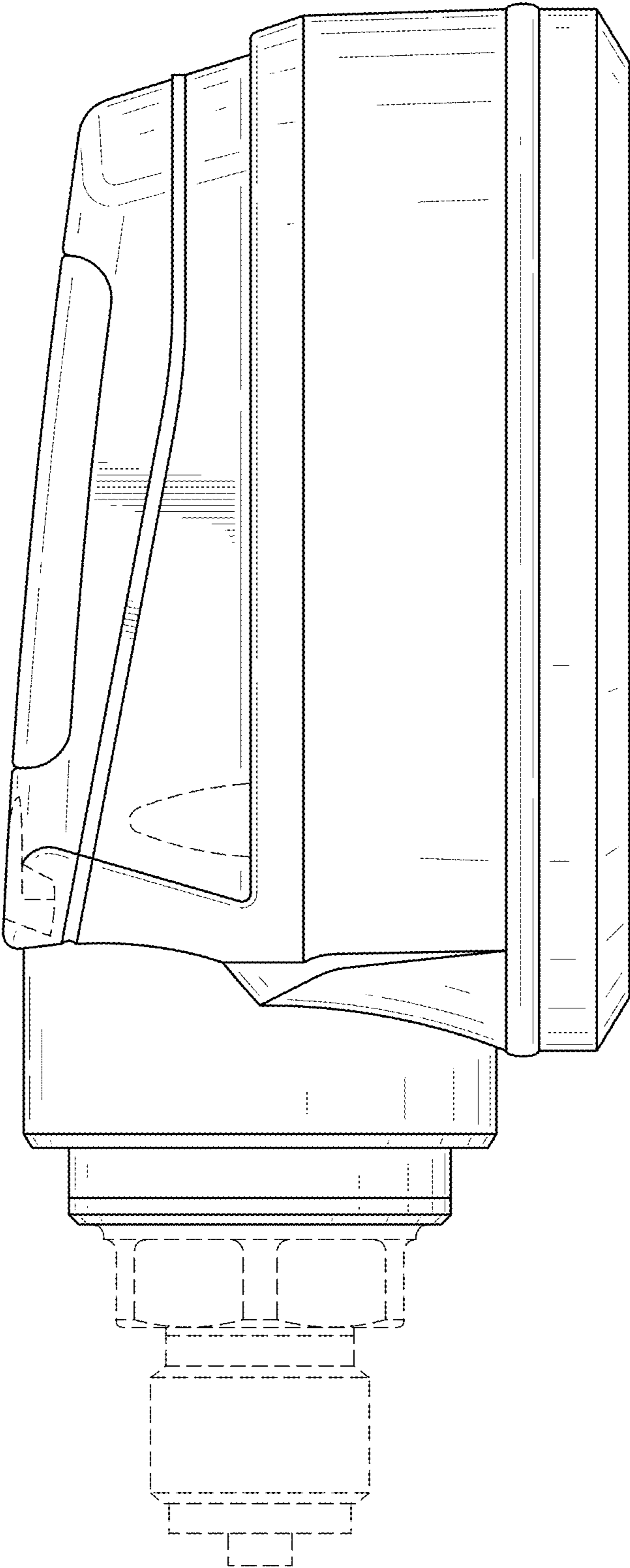


FIG.4

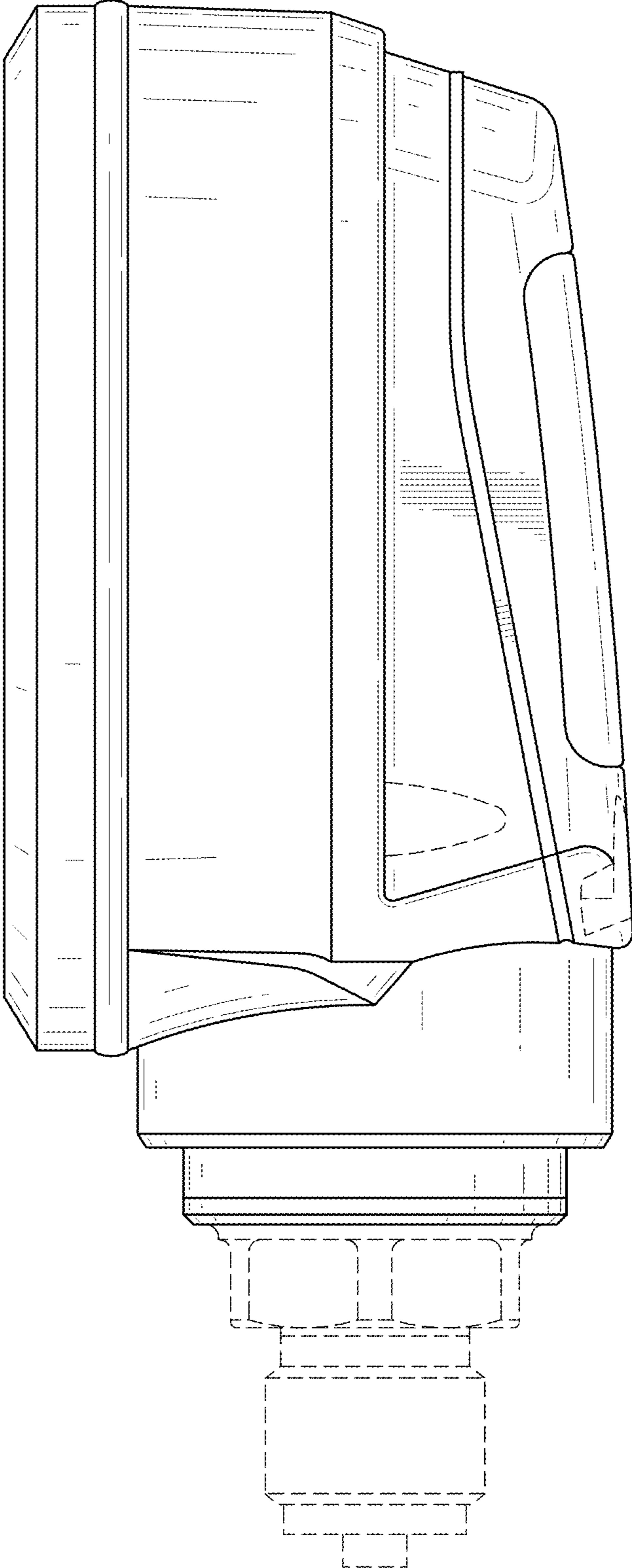


FIG.5

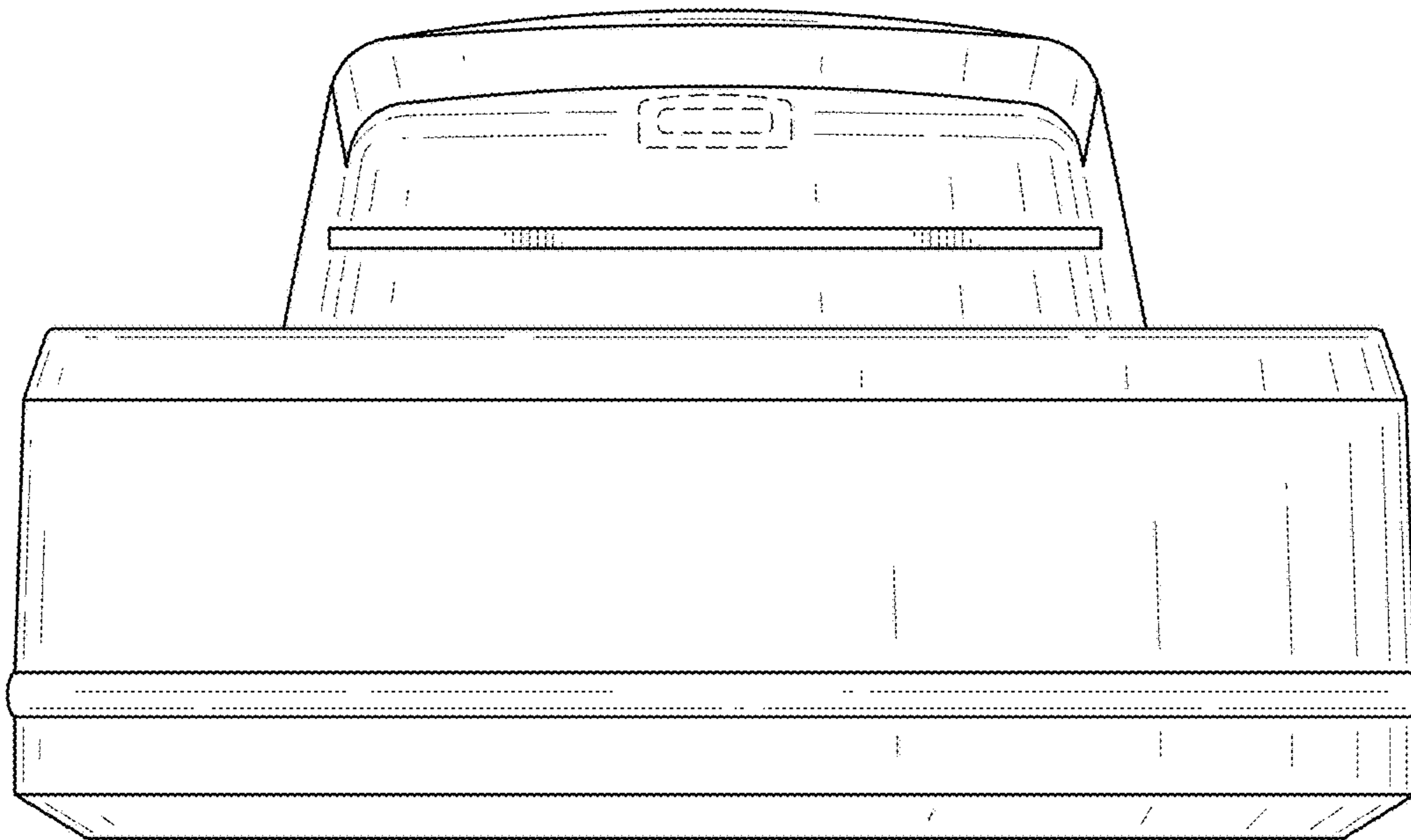


FIG.6

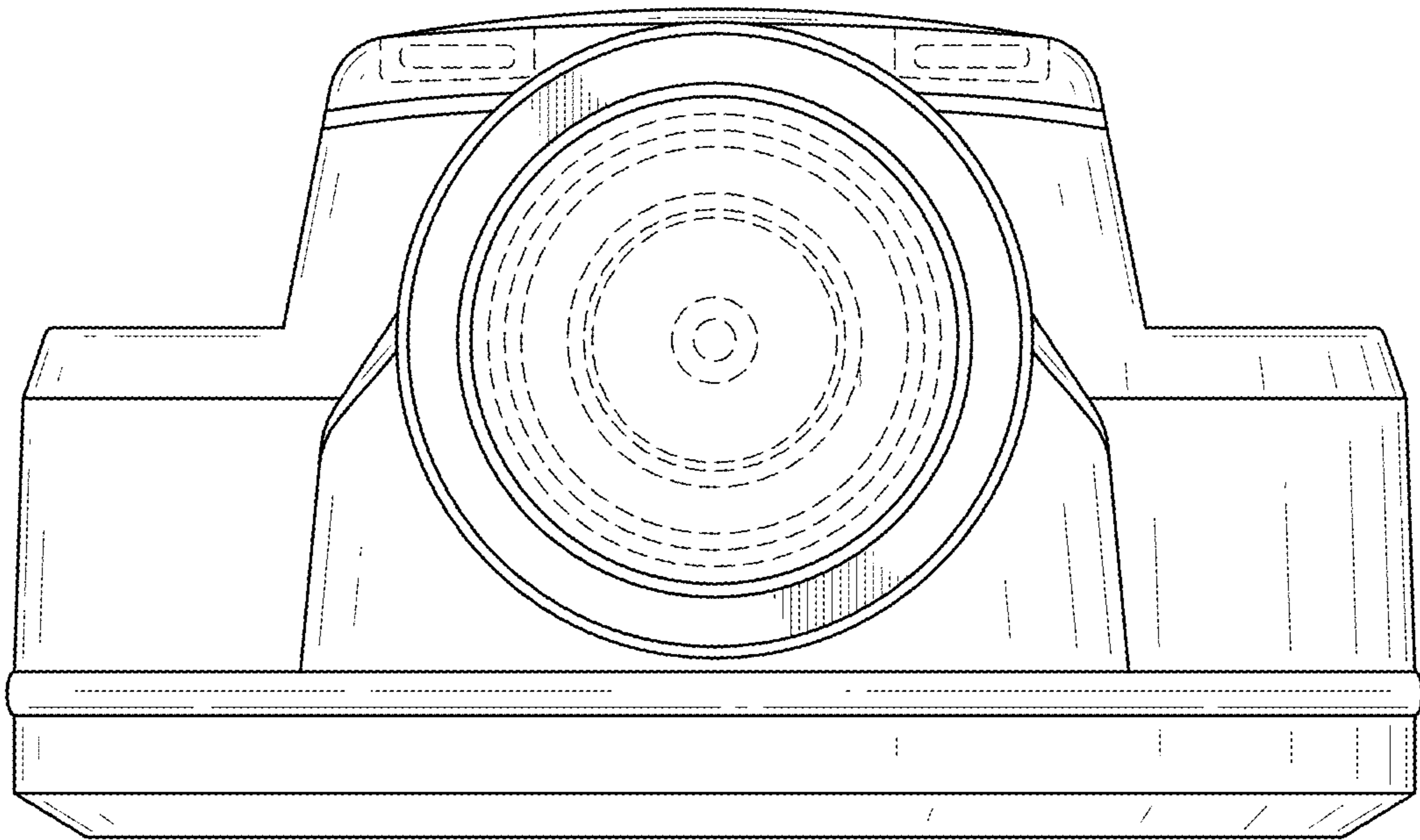


FIG.7