



US00D803080S

(12) **United States Design Patent** (10) **Patent No.:** **US D803,080 S**  
**Sanchez** (45) **Date of Patent:** **\*\* Nov. 21, 2017**

(54) **LEVEL VIAL**

(71) Applicant: **Stanley Black & Decker Inc.**, New Britain, CT (US)

(72) Inventor: **Albert Sanchez**, Naugatuck, CT (US)

(73) Assignee: **Stanley Black & Decker, Inc.**, New Britain, CT (US)

(\*\*) Term: **15 Years**

(21) Appl. No.: **29/569,850**

(22) Filed: **Jun. 30, 2016**

(51) **LOC (10) Cl.** ..... **10-04**

(52) **U.S. Cl.**  
USPC ..... **D10/74; D10/69**

(58) **Field of Classification Search**  
USPC ..... D10/69  
CPC ..... F41G 1/02; F41G 1/06; F41G 1/08; F41G 1/10; F41G 1/12; F41G 1/14; F41G 1/16; F41G 1/30; F41G 1/32; F41G 1/38; F41G 1/44; F41G 1/46; G01C 9/24; G01C 9/26; G01C 9/34; G01C 9/36

See application file for complete search history.

(56) **References Cited**

U.S. PATENT DOCUMENTS

4,912,853 A \* 4/1990 McDonnell ..... G01C 1/00  
33/1 B  
D461,423 S \* 8/2002 Blatt ..... D10/69  
D572,157 S \* 7/2008 Steiner ..... D10/74

\* cited by examiner

*Primary Examiner* — Antoine Duval Davis

(74) *Attorney, Agent, or Firm* — Gabriel Haboubi

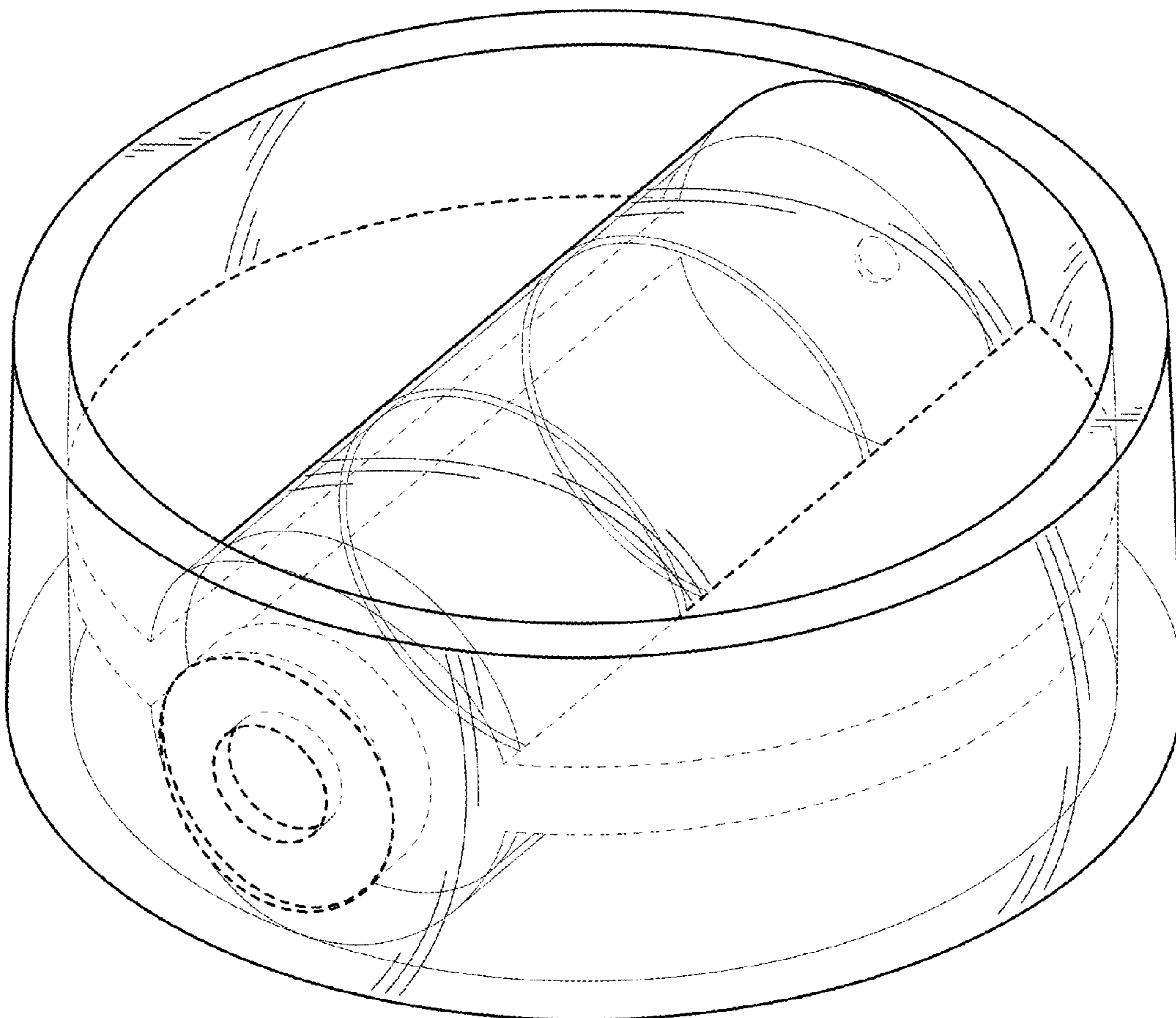
(57) **CLAIM**

The ornamental design for a level vial, as shown and described.

**DESCRIPTION**

FIG. 1 is a perspective view of the new design.  
FIG. 2 is a top view thereof.  
FIG. 3 is a bottom view thereof.  
FIG. 4 is a left side view thereof.  
FIG. 5 is a right side view thereof.  
FIG. 6 is a front view thereof; and,  
FIG. 7 is a rear view thereof.  
The broken lines form no part of the claimed design.

**1 Claim, 7 Drawing Sheets**



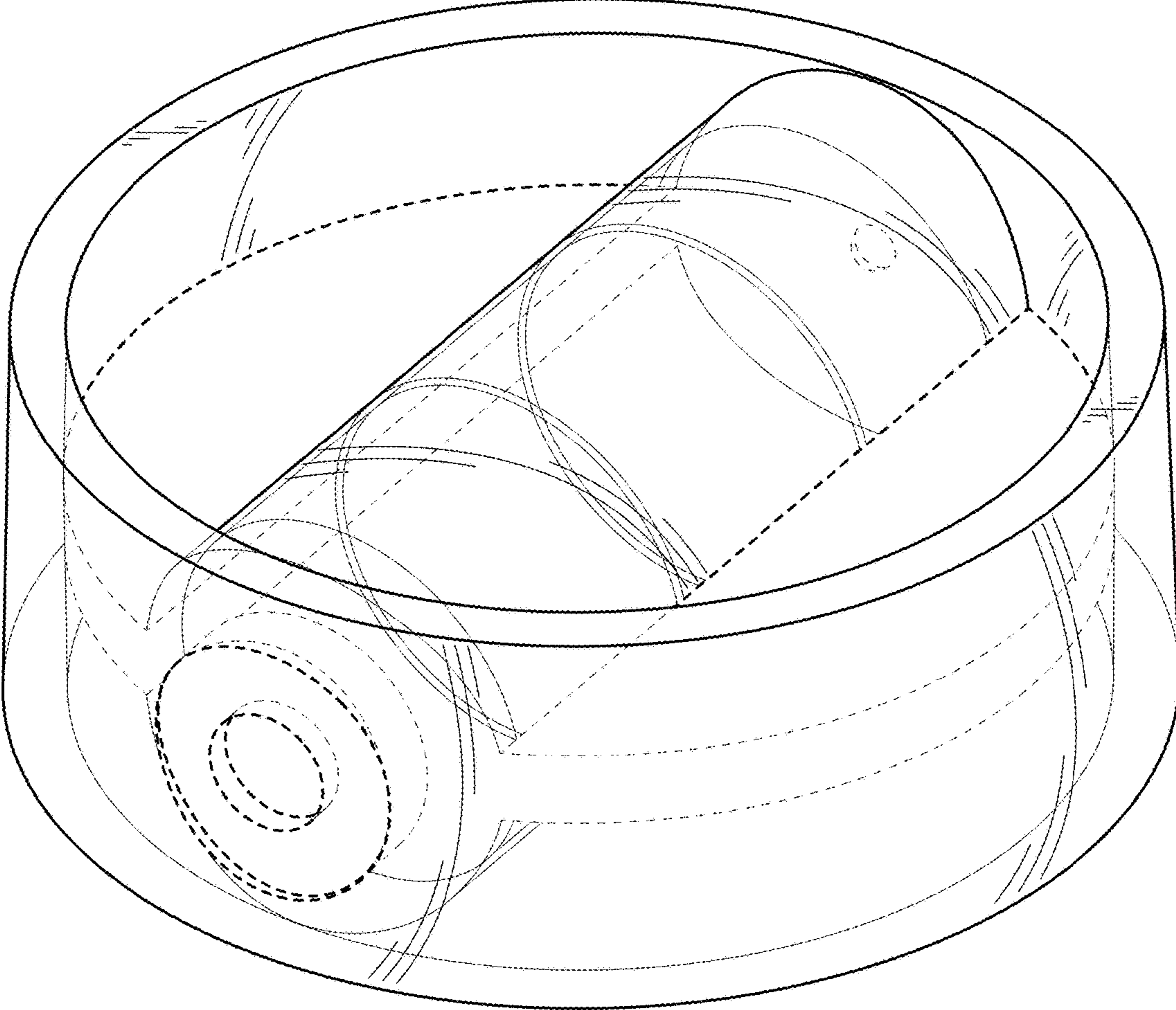


FIG. 1

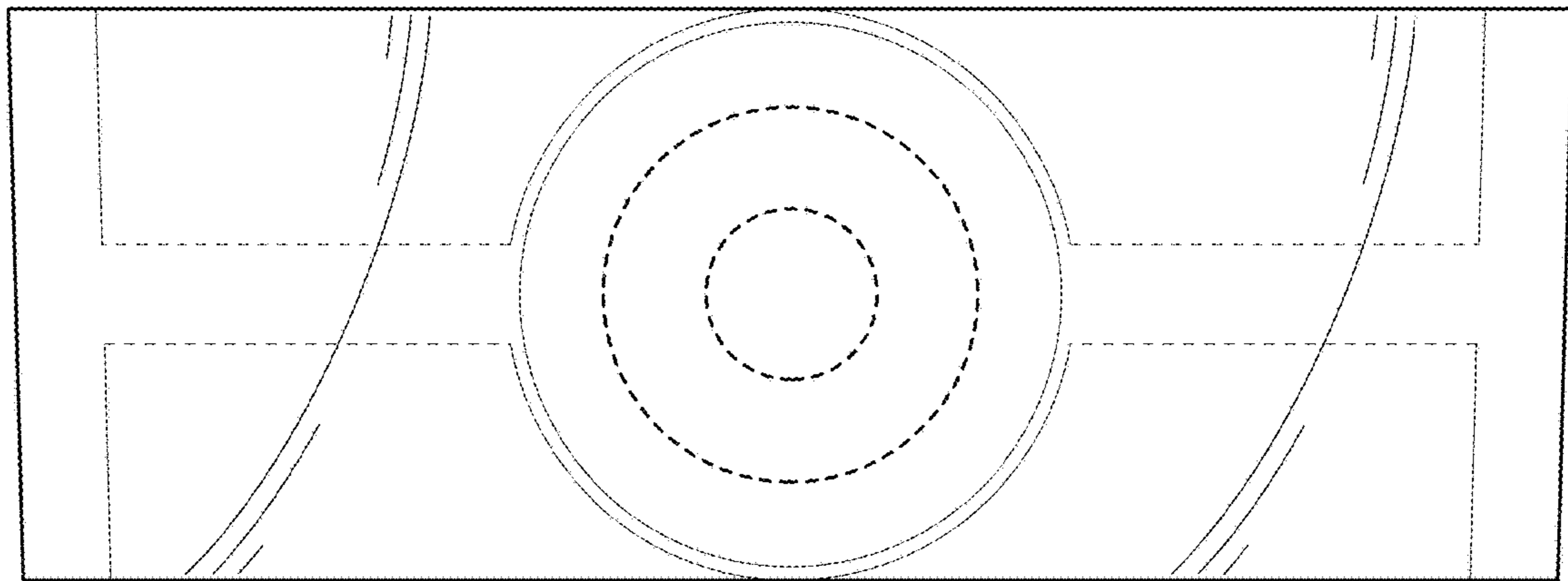


FIG. 2

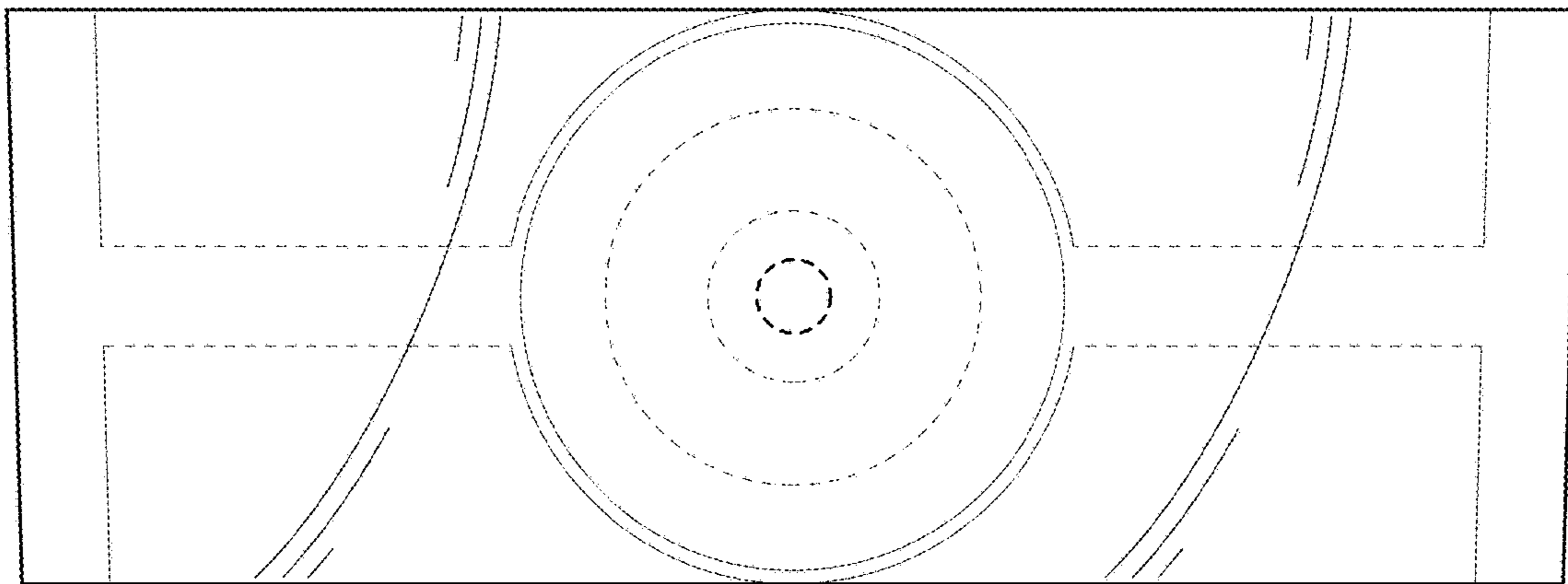


FIG. 3

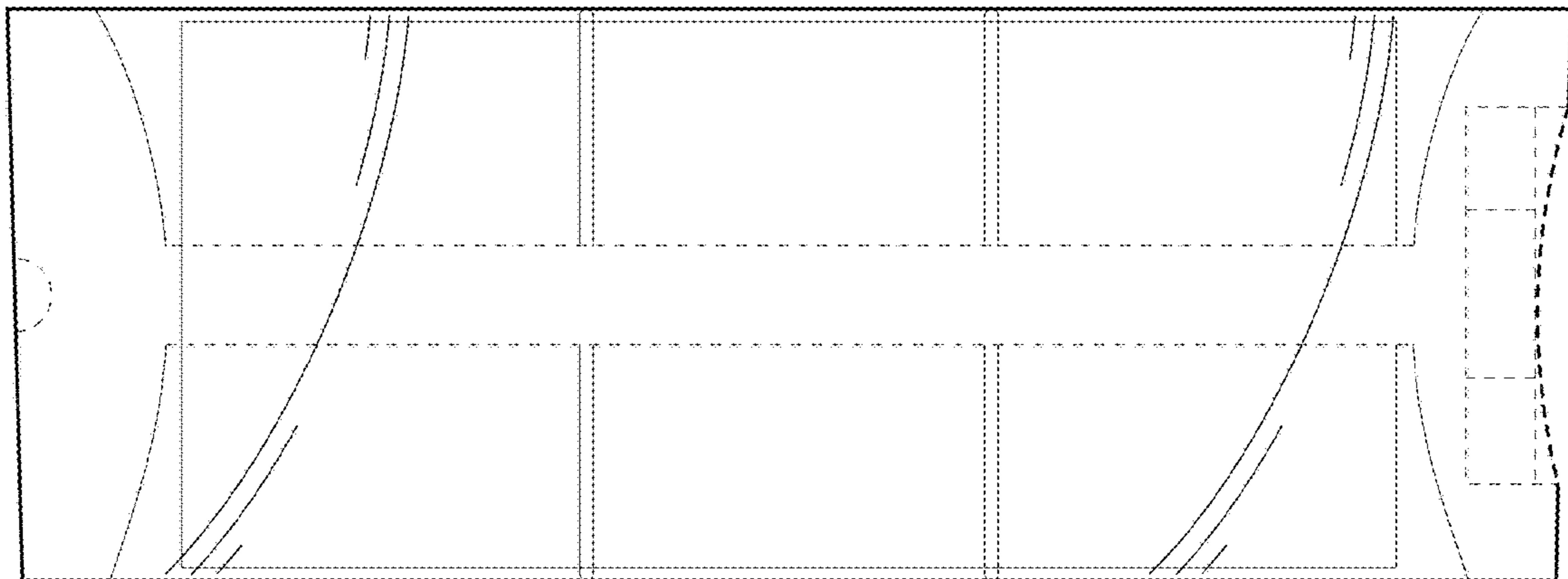


FIG. 4

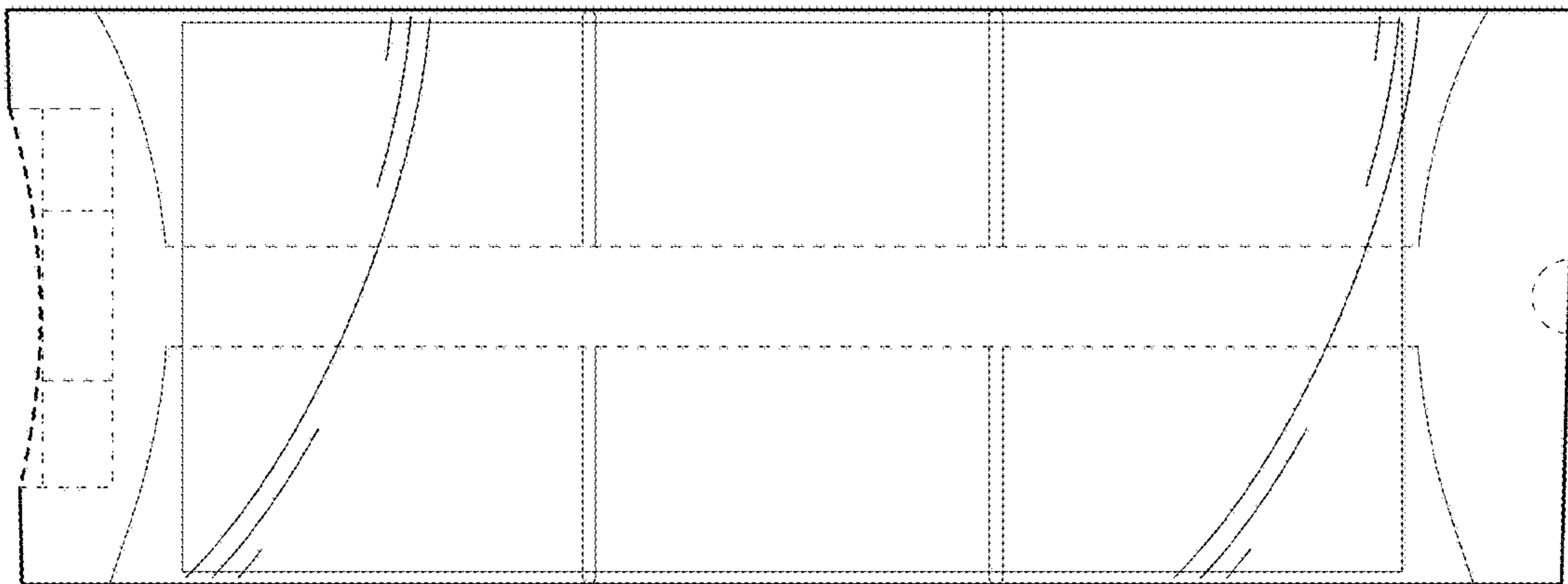


FIG. 5

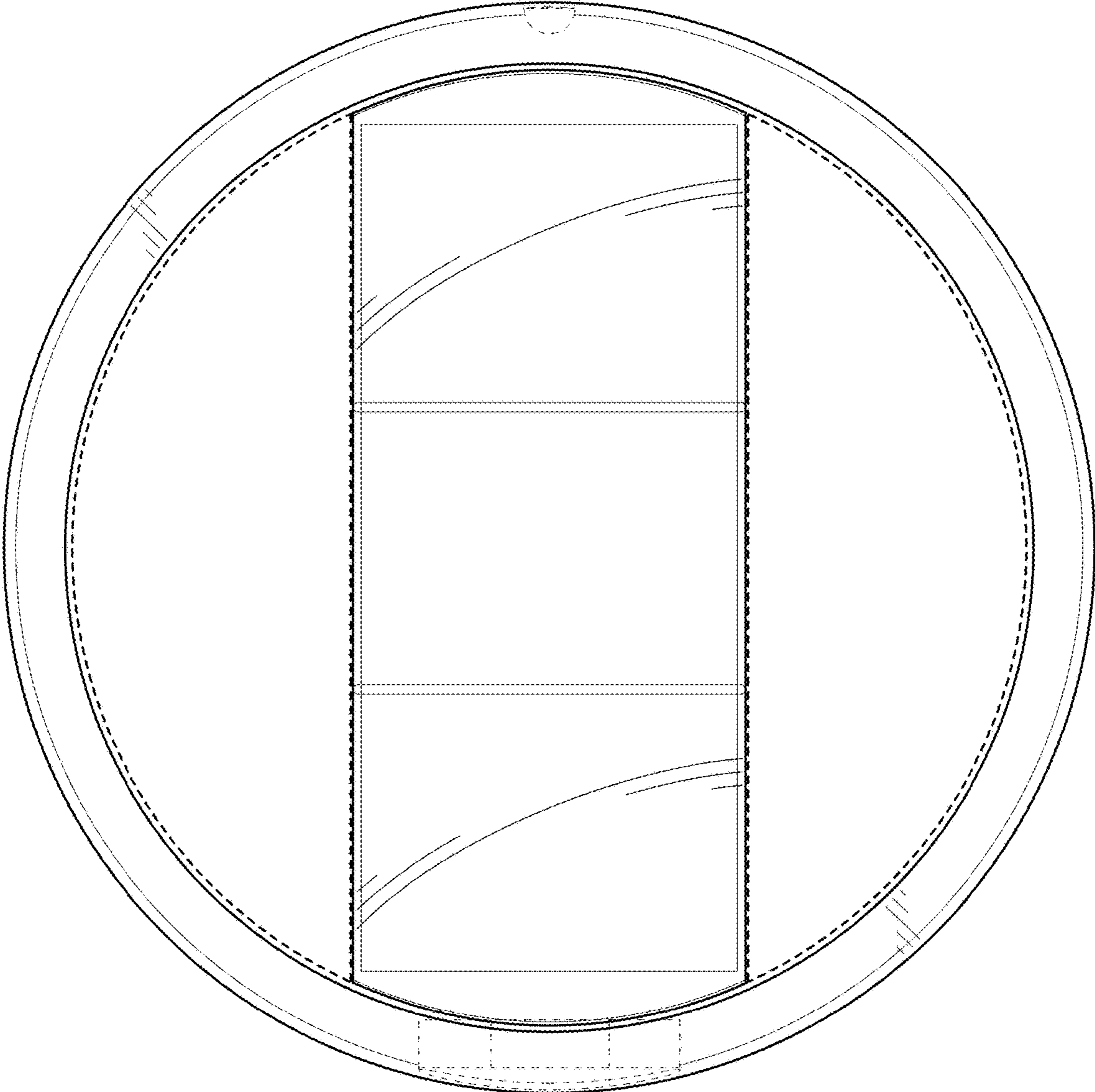


FIG. 6

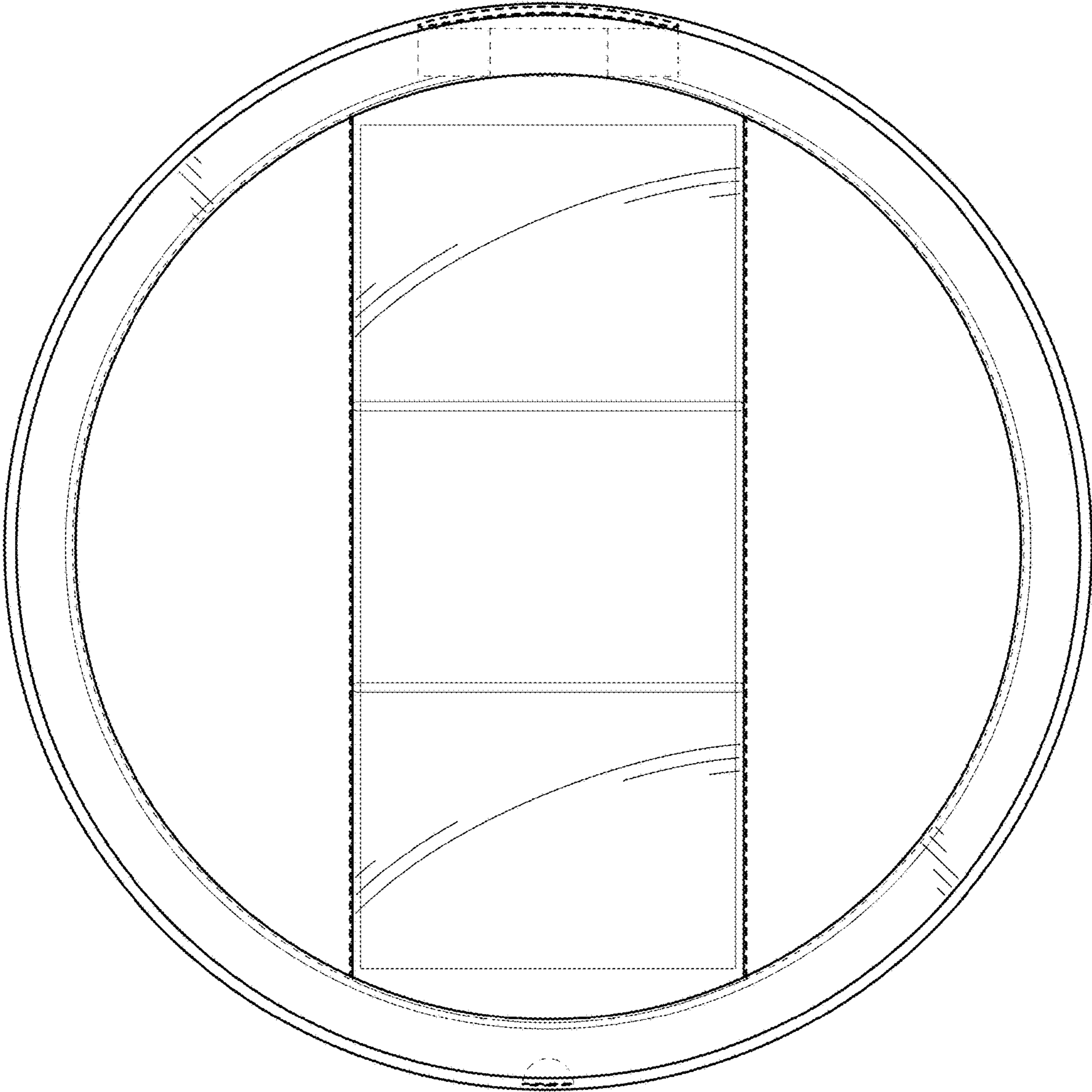


FIG. 7