



US00D803079S

(12) **United States Design Patent** (10) **Patent No.:** **US D803,079 S**
Golnik et al. (45) **Date of Patent:** **** Nov. 21, 2017**

(54) **WRIST BAND**

(71) Applicant: **Fossil Group, Inc.**, Richardson, TX (US)

(72) Inventors: **Timothy Golnik**, San Francisco, CA (US); **Adam Mack**, Menlo Park, CA (US); **Tim Chang**, San Jose, CA (US); **Diana Chang**, San Francisco, CA (US); **Ryan Geraghty**, San Francisco, CA (US); **Kyle Hartelt**, San Francisco, CA (US); **James Toggweiler**, San Francisco, CA (US)

(73) Assignee: **Fossil Group, Inc.**, Richardson, TX (US)

(**) Term: **15 Years**

(21) Appl. No.: **29/541,090**

(22) Filed: **Sep. 30, 2015**

(51) **LOC (10) Cl.** **10-04**

(52) **U.S. Cl.**
USPC **D10/74; D10/103**

(58) **Field of Classification Search**
USPC D10/30-39, 65, 70, 78, 97, 98, 74, 103;
D11/3; D14/138 R, 203.5, 203.6, 341,
D14/344, 347; D24/167, 168, 186
CPC A44C 5/00-5/16; G04B 37/00-37/228;
G04B 45/0069; G04B 19/00-19/34;
G04B 21/12; G04B 23/12; G04B
47/00-47/068; G01C 17/00; G01C
21/00-21/3697

See application file for complete search history.

(56) **References Cited**

U.S. PATENT DOCUMENTS

D726,052 S * 4/2015 Henning D10/70
D729,649 S * 5/2015 Phillips D10/103

D731,898 S * 6/2015 Squires D10/30
D736,107 S * 8/2015 Lee D10/70
D742,373 S * 11/2015 Ji D10/38
D745,868 S * 12/2015 Choi D10/32
D749,072 S * 2/2016 Ji D10/38
D751,068 S * 3/2016 Erbeus D10/38
D751,549 S * 3/2016 Park D10/38
D752,580 S * 3/2016 Choi D10/32
D756,250 S * 5/2016 Lee D10/65

* cited by examiner

Primary Examiner — Antoine D Davis
(74) *Attorney, Agent, or Firm* — Cooley LLP

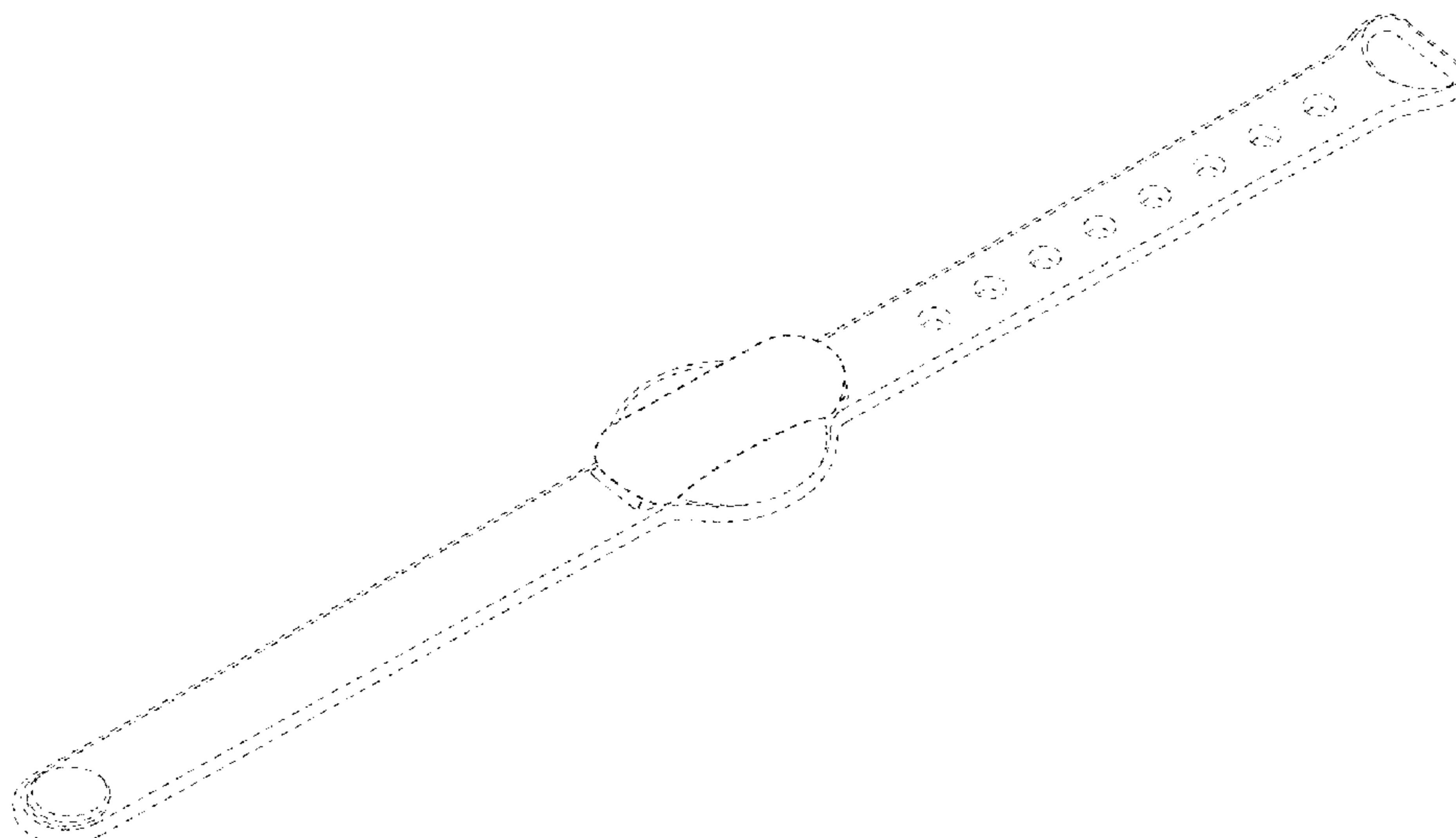
(57) **CLAIM**

The ornamental design for a wrist band, as shown and described.

DESCRIPTION

FIG. 1 is a perspective view of an embodiment of the wrist band;
FIG. 2 is another perspective view of the embodiment;
FIG. 3 is another perspective view of the embodiment;
FIG. 4 is another perspective view of the embodiment;
FIG. 5 is a bottom view of the embodiment;
FIG. 6 is a top view of the embodiment;
FIG. 7 is a right side view of the embodiment, the left side view being a mirror image thereof; and,
FIG. 8 is a front view of the embodiment, the back view being a mirror image thereof.
The broken lines immediately adjacent the shaded areas represent the bounds of the claimed design while all other broken lines are directed to environment and are for illustrative purposes only; the broken lines form no part of the claimed design.

1 Claim, 8 Drawing Sheets



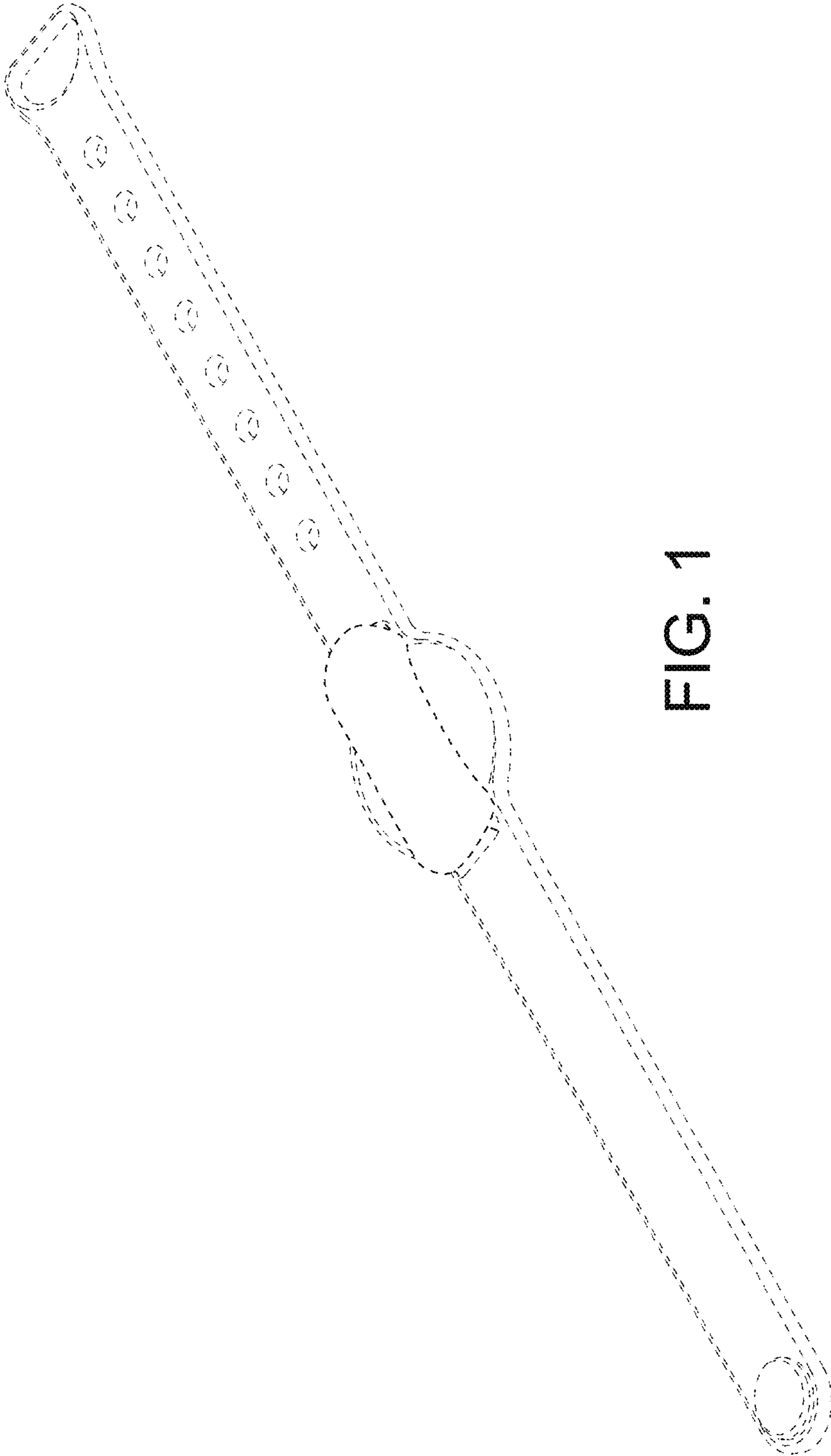


FIG. 1

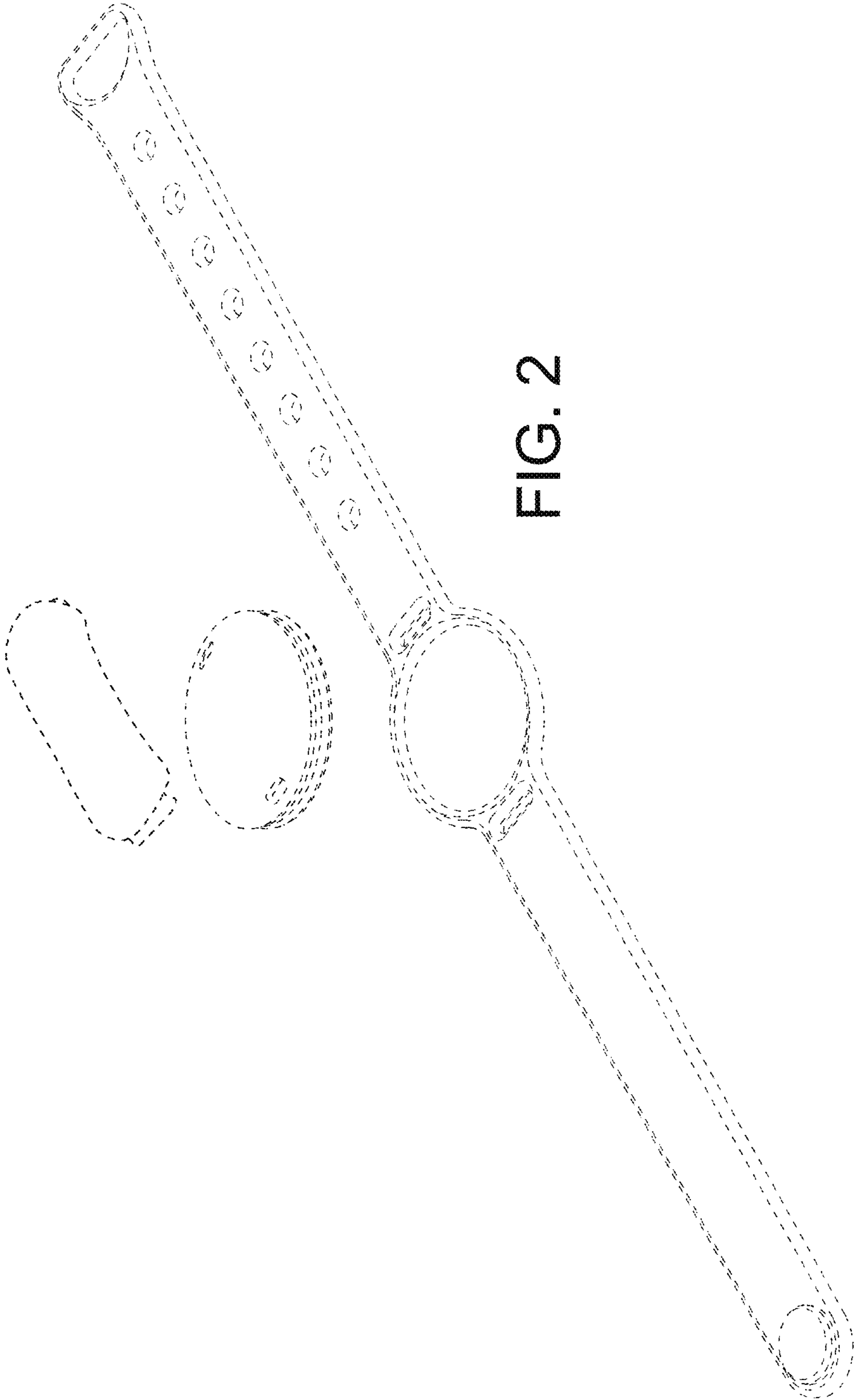


FIG. 2

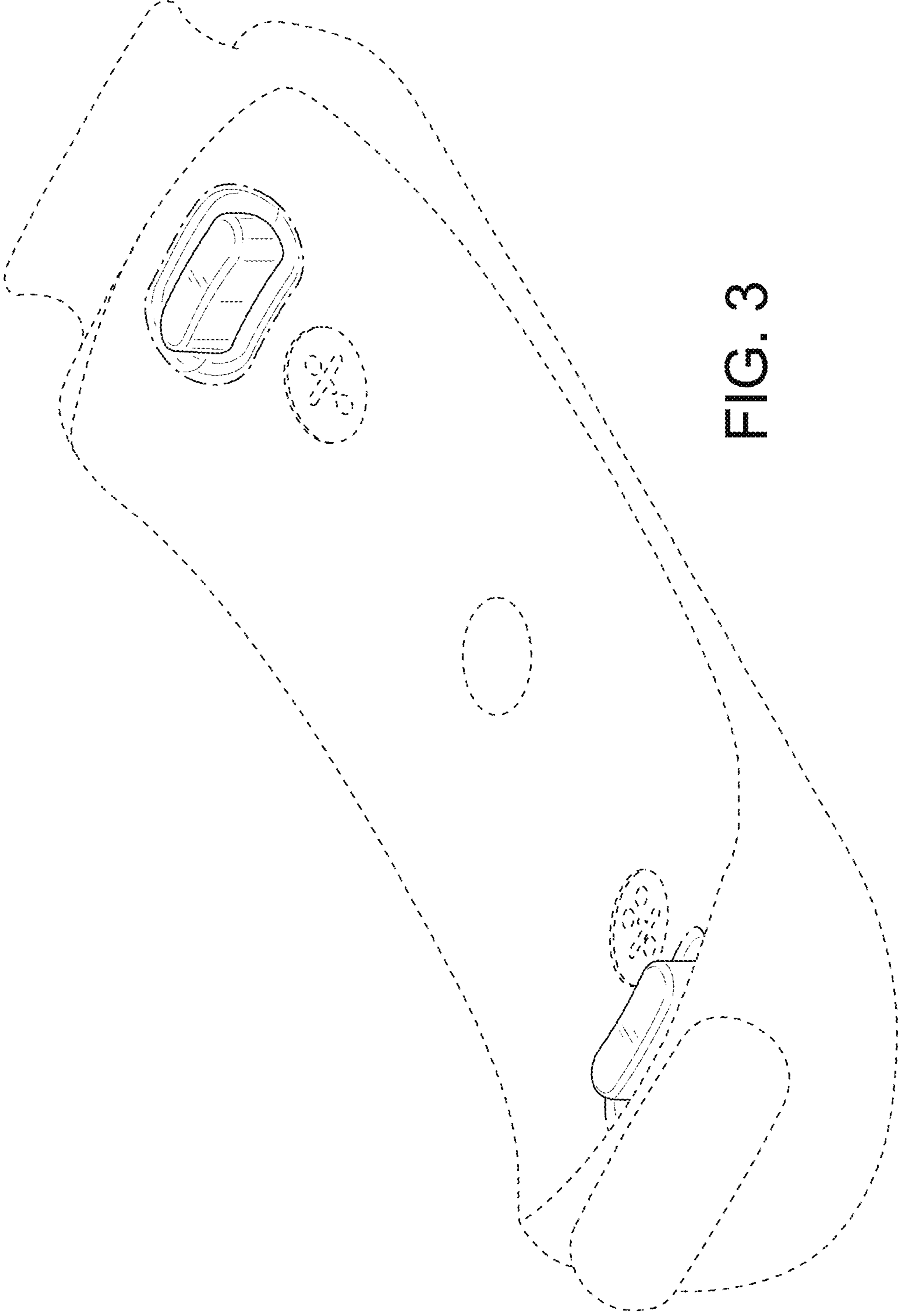


FIG. 3

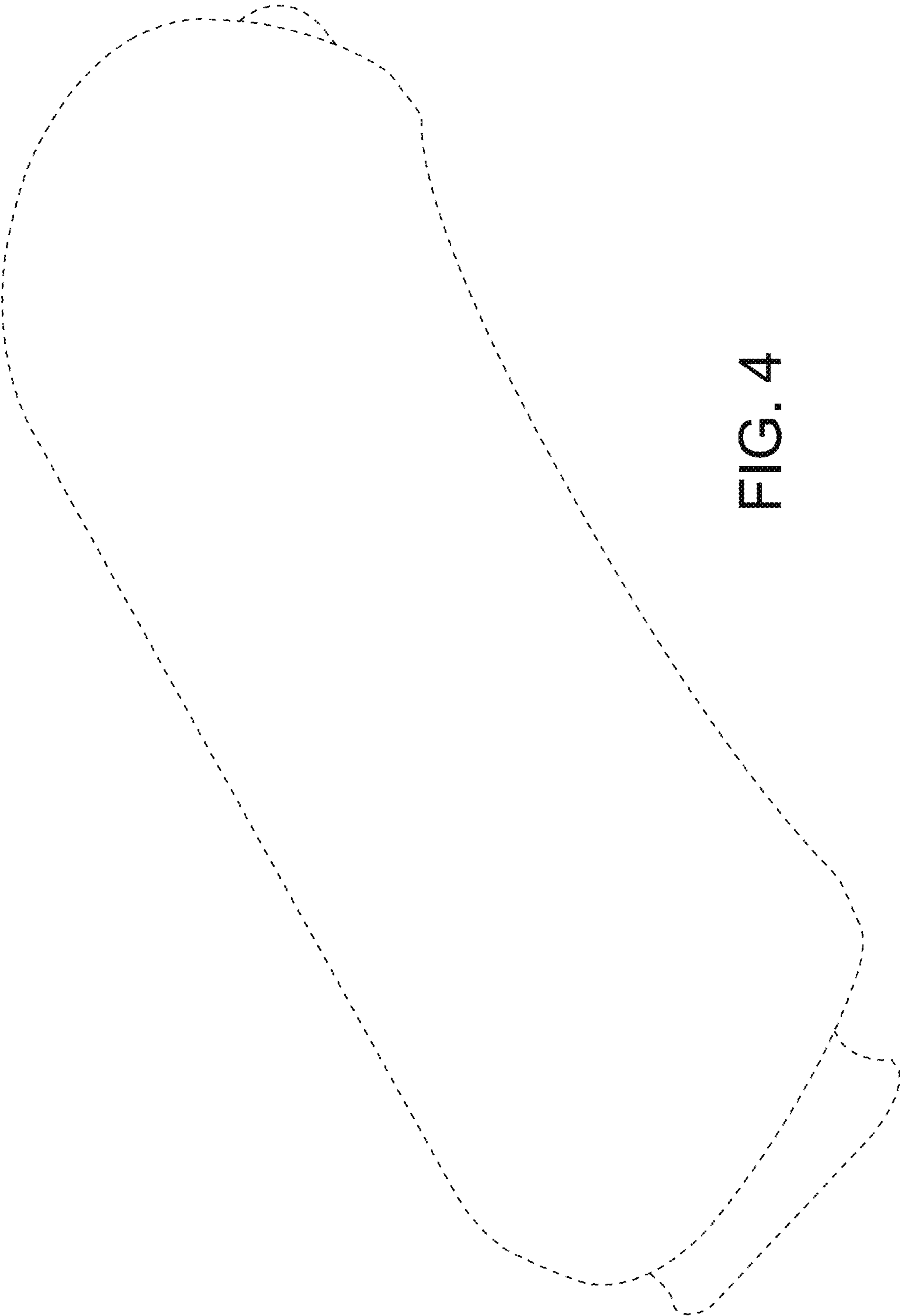


FIG. 4

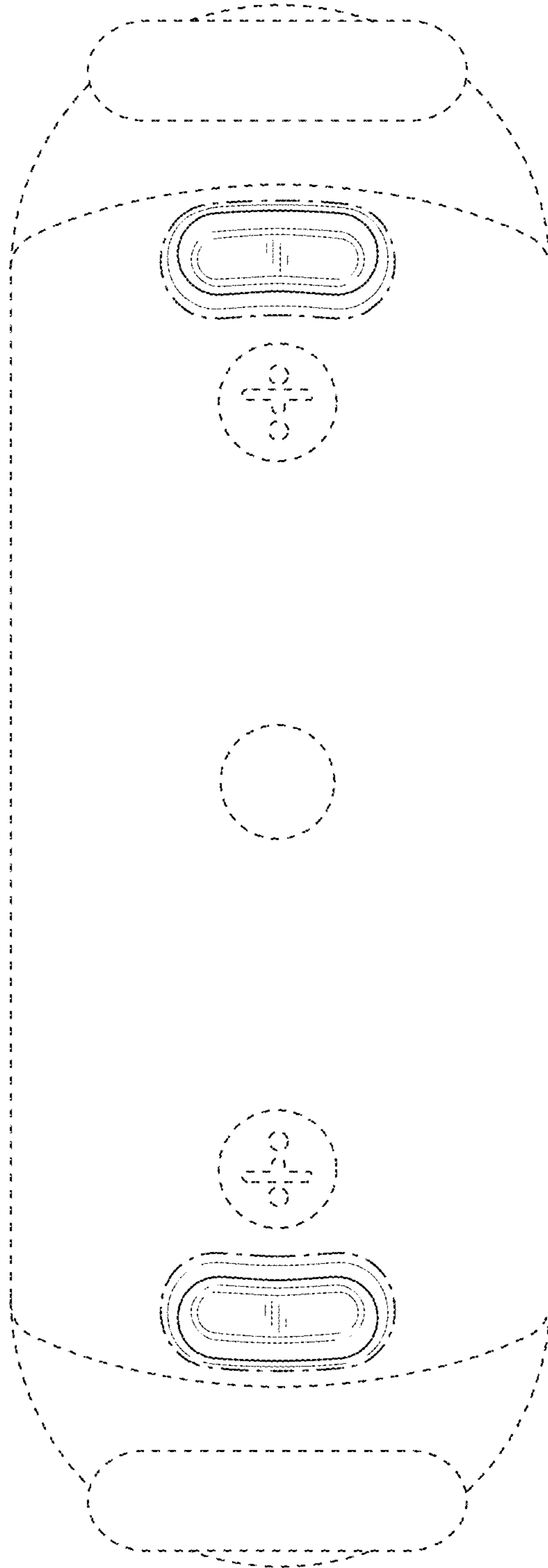


FIG. 5

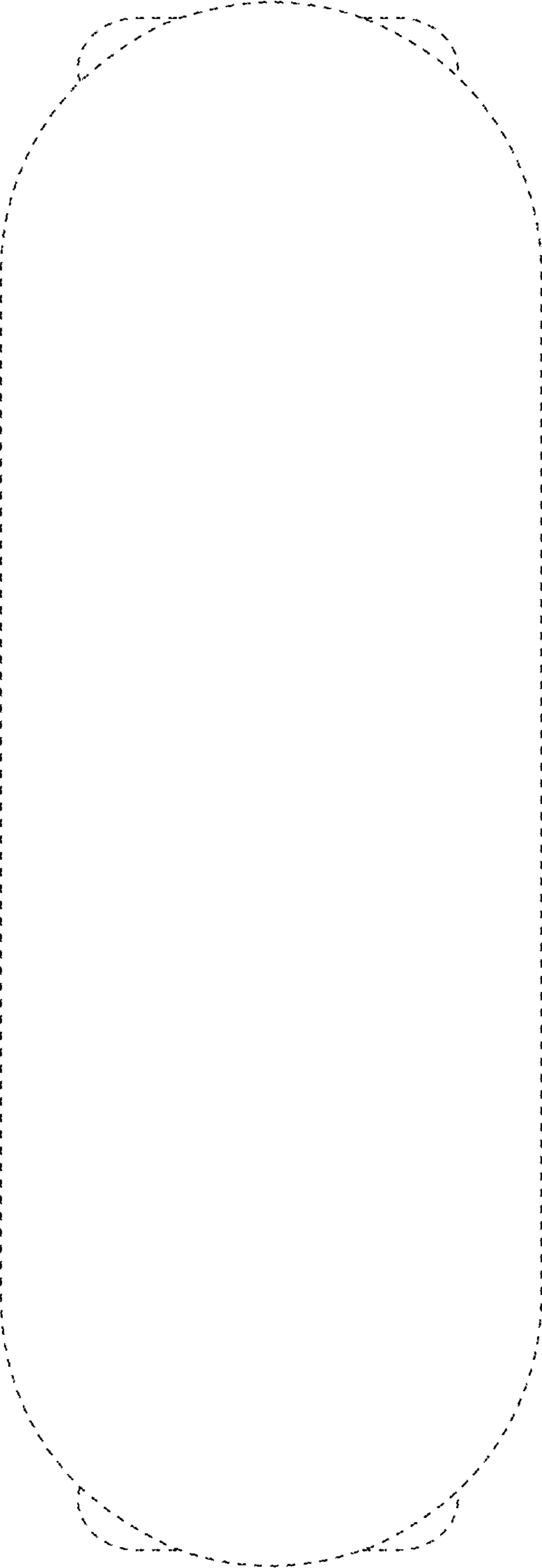


FIG. 6

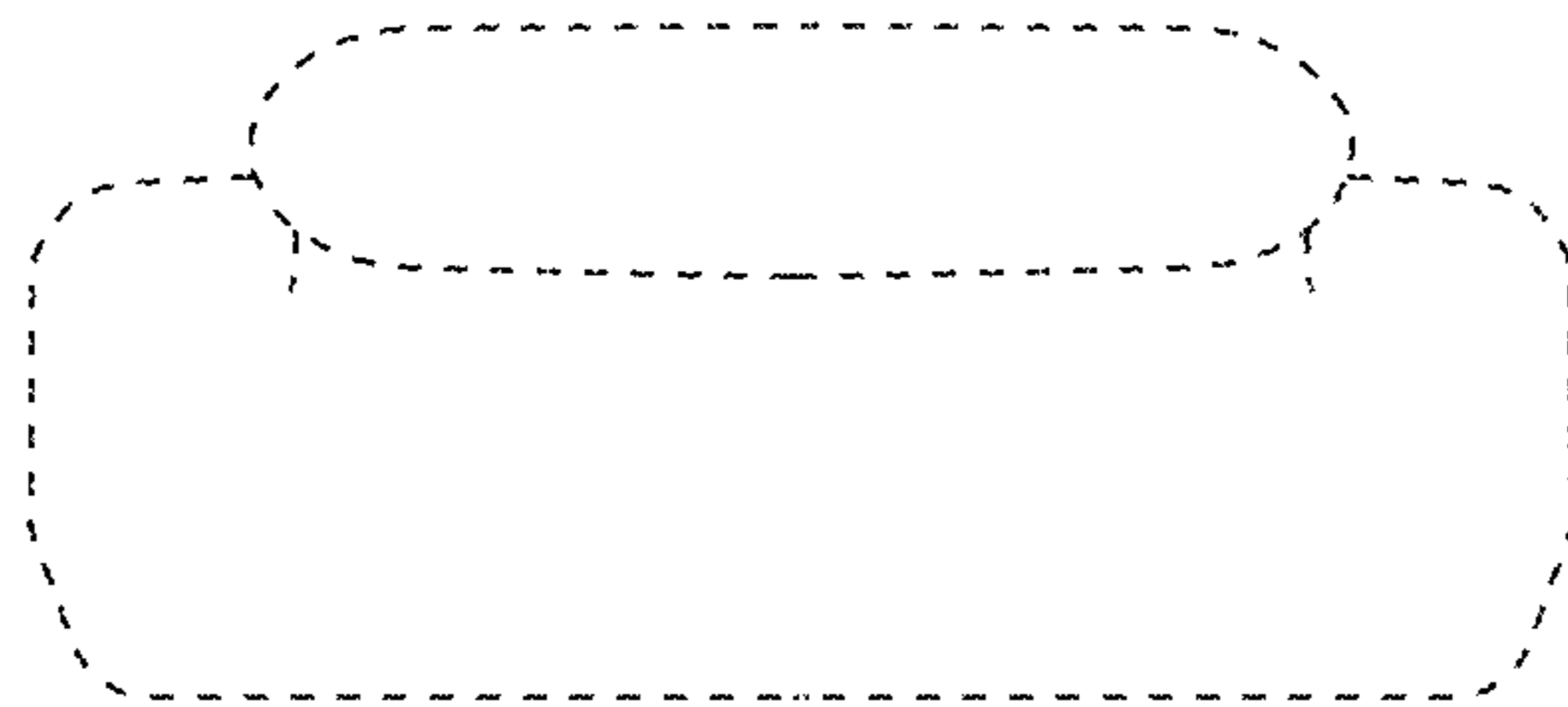


FIG. 7

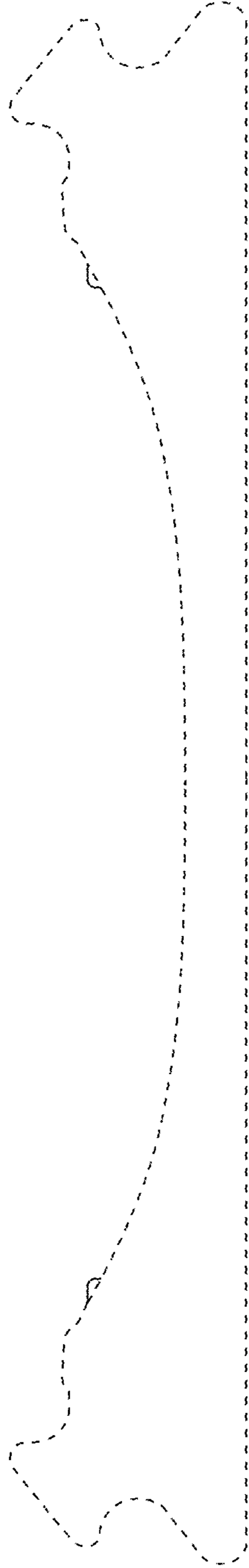


FIG. 8