



US00D803078S

(12) **United States Design Patent**
Chan

(10) **Patent No.:** **US D803,078 S**

(45) **Date of Patent:** **** Nov. 21, 2017**

(54) **MEASURING DEVICE**

(71) Applicant: **LES COFFRETS LIMITED**, Hong Kong (CN)

(72) Inventor: **Jonathan Chan**, Hong Kong (CN)

(**) Term: **15 Years**

(21) Appl. No.: **35/501,411**

(22) Filed: **Jun. 16, 2016**

(80) **Hague Agreement Data**

Int. Filing Date: **Jun. 16, 2016**

Int. Reg. No.: **DM/092006**

Int. Reg. Date: **Jun. 16, 2016**

Int. Reg. Pub. Date: **Aug. 19, 2016**

(51) **LOC (10) Cl.** **10-04**

(52) **U.S. Cl.**

USPC **D10/71**

(58) **Field of Classification Search**

USPC D11/3, 5; D20/22; D10/71

CPC G01B 5/025; G01B 5/30; G01B 3/34

See application file for complete search history.

(56) **References Cited**

U.S. PATENT DOCUMENTS

4,875,296 A * 10/1989 Holzmeister G01B 5/025
33/2 R

5,732,475 A * 3/1998 Sacks G01B 5/30
33/512

6,253,459 B1 * 7/2001 Barnhill G01B 5/025
33/514.1

D591,633 S * 5/2009 Del Valle D11/3

7,578,070 B1 * 8/2009 Lynch G01B 3/34
33/514.1

D703,755 S * 4/2014 Joseph D11/3

D703,756 S * 4/2014 Ennis D11/3

D712,295 S * 9/2014 Ennis D11/3

D738,770 S * 9/2015 Devries D11/3

D772,984 S * 11/2016 Canchola D20/22

* cited by examiner

Primary Examiner — George D Kirschbaum

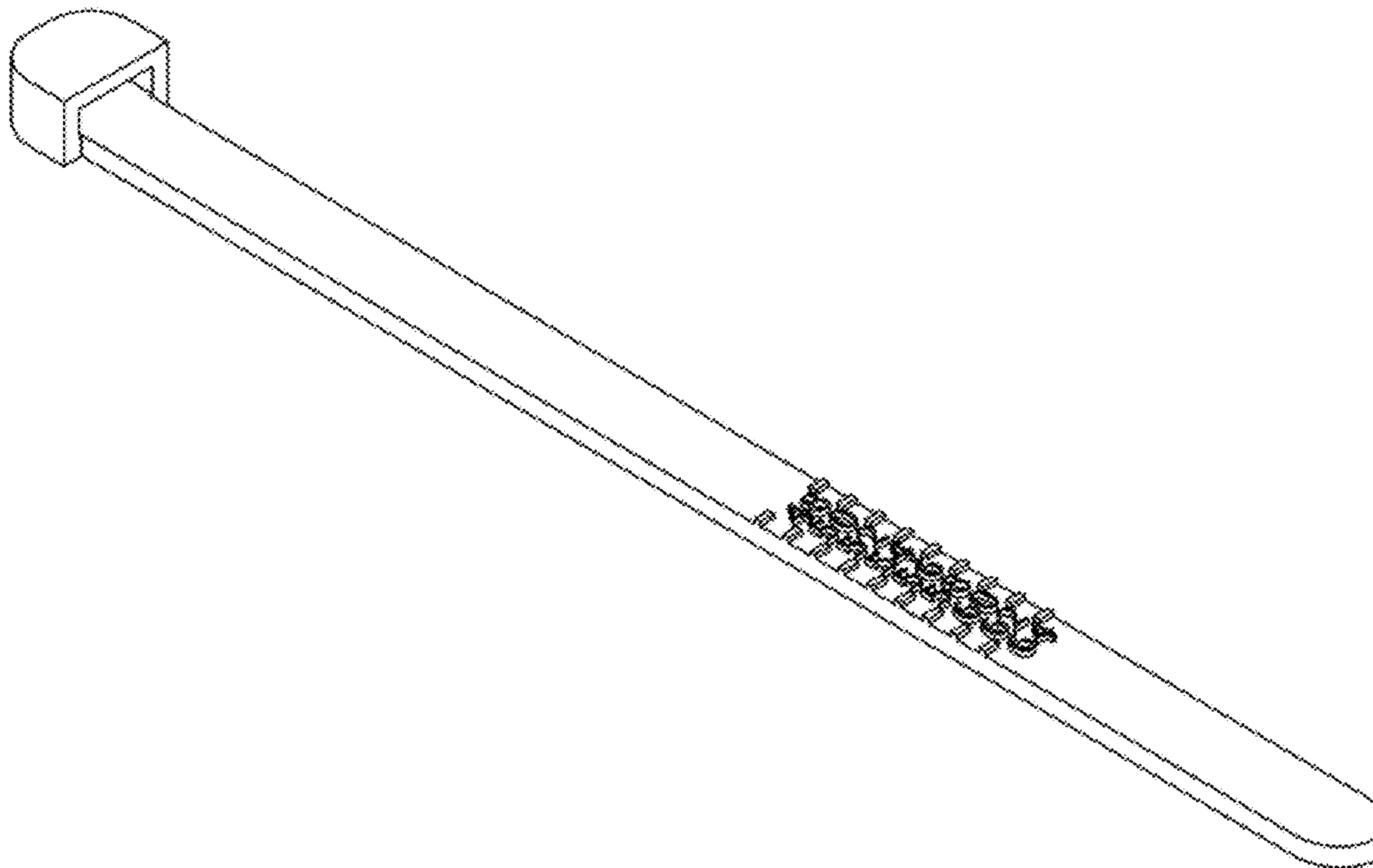
(57) **CLAIM**

The ornamental design for a measuring device, as shown and described.

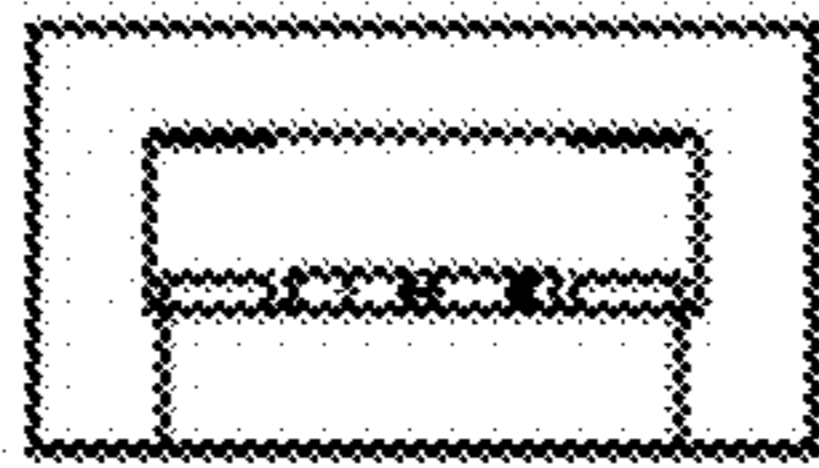
DESCRIPTION

- 1. Measuring device
- 1.1 : Front
- 1.2 : Back
- 1.3 : Perspective view (in a closed position)
- 1.4 : Right
- 1.5 : Bottom
- 1.6 : Left
- 1.7 : Top
- 1.8 : Perspective

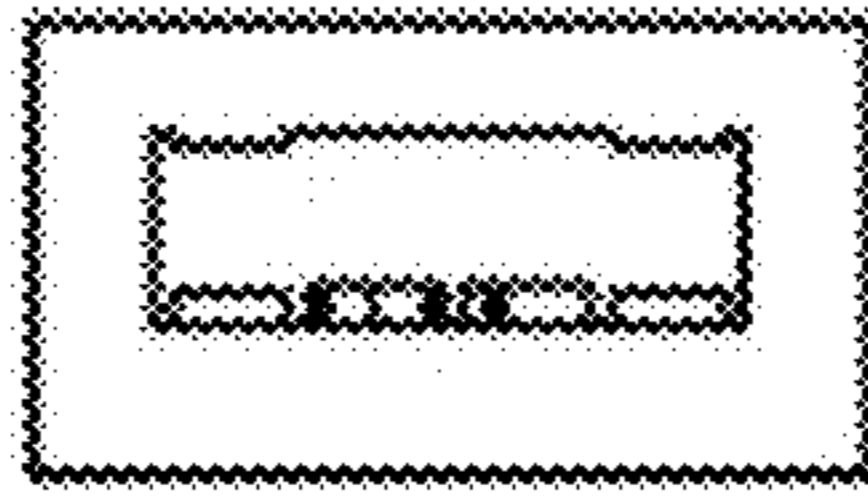
1 Claim, 8 Drawing Sheets



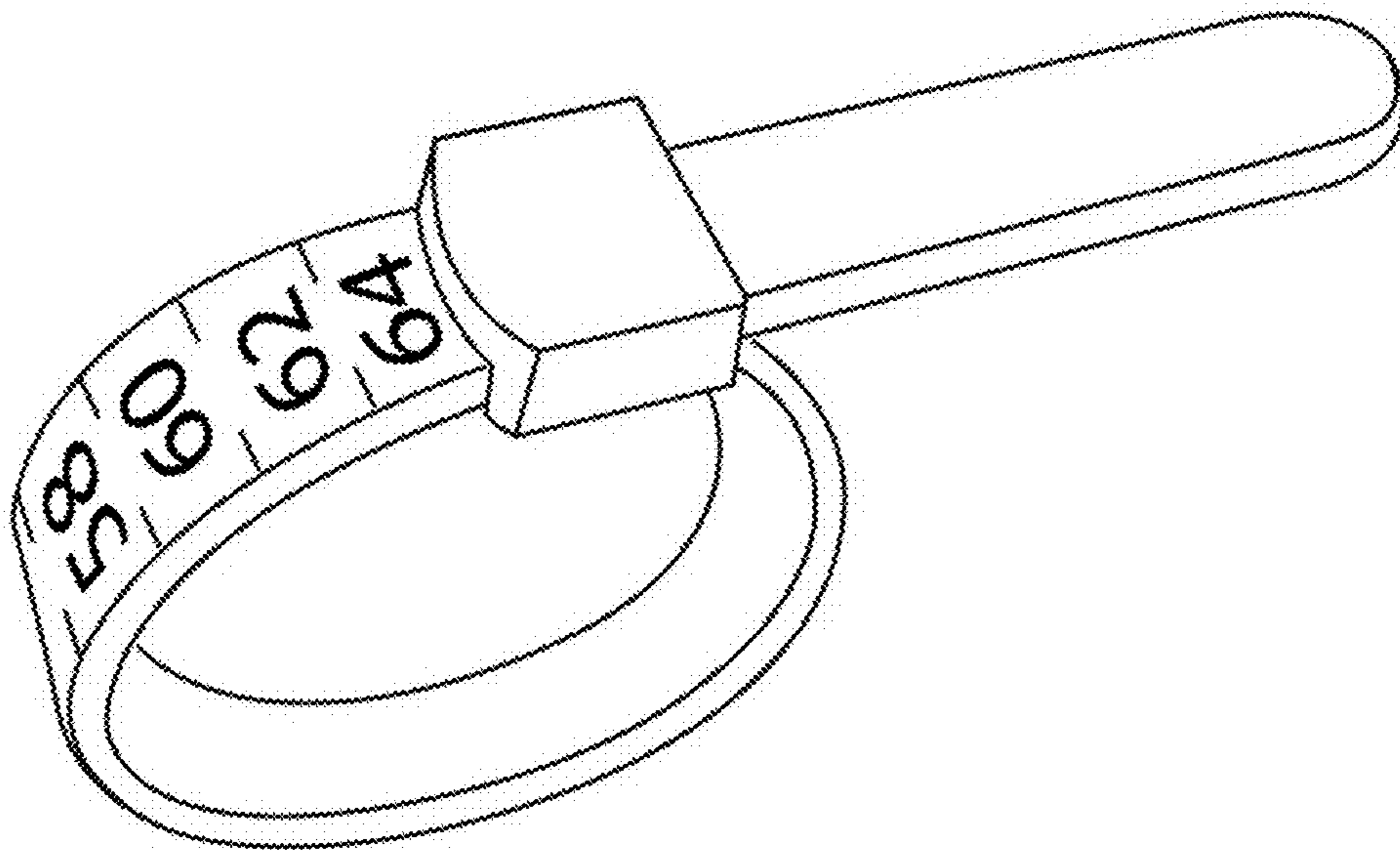
1.1



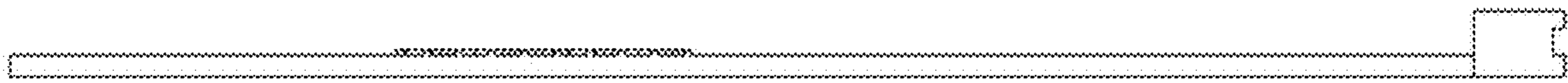
1.2



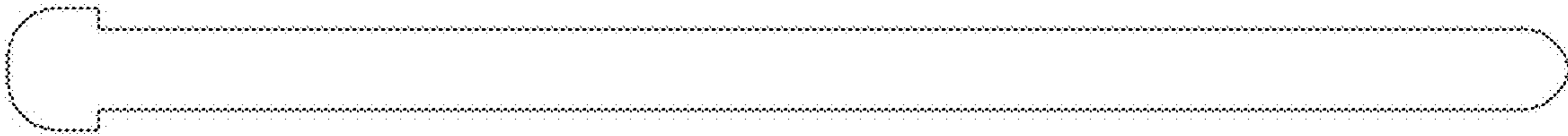
1.3



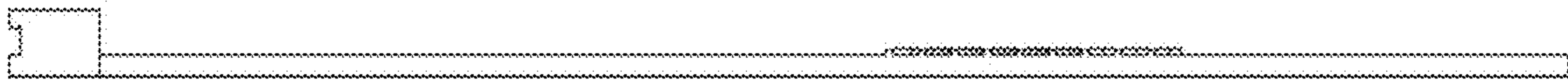
1.4



1.5



1.6



1.7

