



US00D803077S

(12) **United States Design Patent** (10) **Patent No.:** **US D803,077 S**  
**Paschke et al.** (45) **Date of Patent:** **\*\* Nov. 21, 2017**

(54) **LARIAT NECKLACE ACCESSORY FOR A WEARABLE FITNESS MONITOR**

(71) Applicant: **Fitbit, Inc.**, San Francisco, CA (US)

(72) Inventors: **Brian Dennis Paschke**, San Francisco, CA (US); **Jonah Avram Becker**, San Francisco, CA (US); **Susan Elizabeth McKinney**, San Francisco, CA (US); **Ellise Noel Smolenyak**, San Francisco, CA (US); **Byron Ben-Ming Hsieh**, San Francisco, CA (US); **Anthony Joseph Smith**, Berkeley, CA (US); **Gad Amit**, San Mateo, CA (US)

(73) Assignee: **Fitbit, Inc.**, San Francisco, CA (US)

(\*\*) Term: **15 Years**

(21) Appl. No.: **29/569,703**

(22) Filed: **Jun. 29, 2016**

**Related U.S. Application Data**

(63) Continuation of application No. 29/568,558, filed on Jun. 20, 2016, which is a continuation-in-part of (Continued)

(51) **LOC (10) Cl.** ..... **10-04**

(52) **U.S. Cl.**  
USPC ..... **D10/70; D10/39; D10/97; D10/98; D24/167; D24/168; D3/218**

(58) **Field of Classification Search**  
USPC .... **D10/30-39, 65, 70, 78, 97, 98; D11/3, 4, D11/9; D14/138 R, 203.5, 203.6, 341,**  
(Continued)

(56) **References Cited**

**U.S. PATENT DOCUMENTS**

D659,037 S \* 5/2012 Madsen ..... D10/65  
D706,531 S \* 6/2014 Park ..... D3/215  
(Continued)

**OTHER PUBLICATIONS**

U.S. Notice of Allowance dated Jul. 6, 2017, in U.S. Appl. No. 29/568,558.

*Primary Examiner* — Antoine D Davis  
(74) *Attorney, Agent, or Firm* — Weaver Austin Villeneuve & Sampson LLP

(57) **CLAIM**

We claim the ornamental design for a lariat necklace accessory for a wearable fitness monitor, as shown and described.

**DESCRIPTION**

FIG. 1 is a side view of a lariat necklace accessory. FIG. 2 is a front view of the lariat necklace accessory of FIG. 1. FIG. 3 is a bottom view of the lariat necklace accessory of FIG. 1. FIG. 4 is an opposing side view of the lariat necklace accessory of FIG. 1. FIG. 5 is a back view of the lariat necklace accessory of FIG. 1. FIG. 6 is a top view of the lariat necklace accessory of FIG. 1. FIG. 7 is an isometric view of the lariat necklace accessory of FIG. 1; an example segment of a decorative chain that may be used for the strand is also depicted. FIG. 8 is an isometric close-up view of the pendant that is part of the lariat necklace accessory depicted in FIG. 1. FIG. 9 is another close-up isometric view of the pendant from another perspective. FIG. 10 is yet another close-up isometric view of the pendant from an additional perspective. FIG. 11 is a further close-up isometric view of the pendant from another different perspective. FIG. 12 is an isometric view corresponding to the perspective of FIG. 8, but in a cage-opened configuration, such as is formed when the cage is unclasped to allow insertion or removal of the fitness monitor.

(Continued)

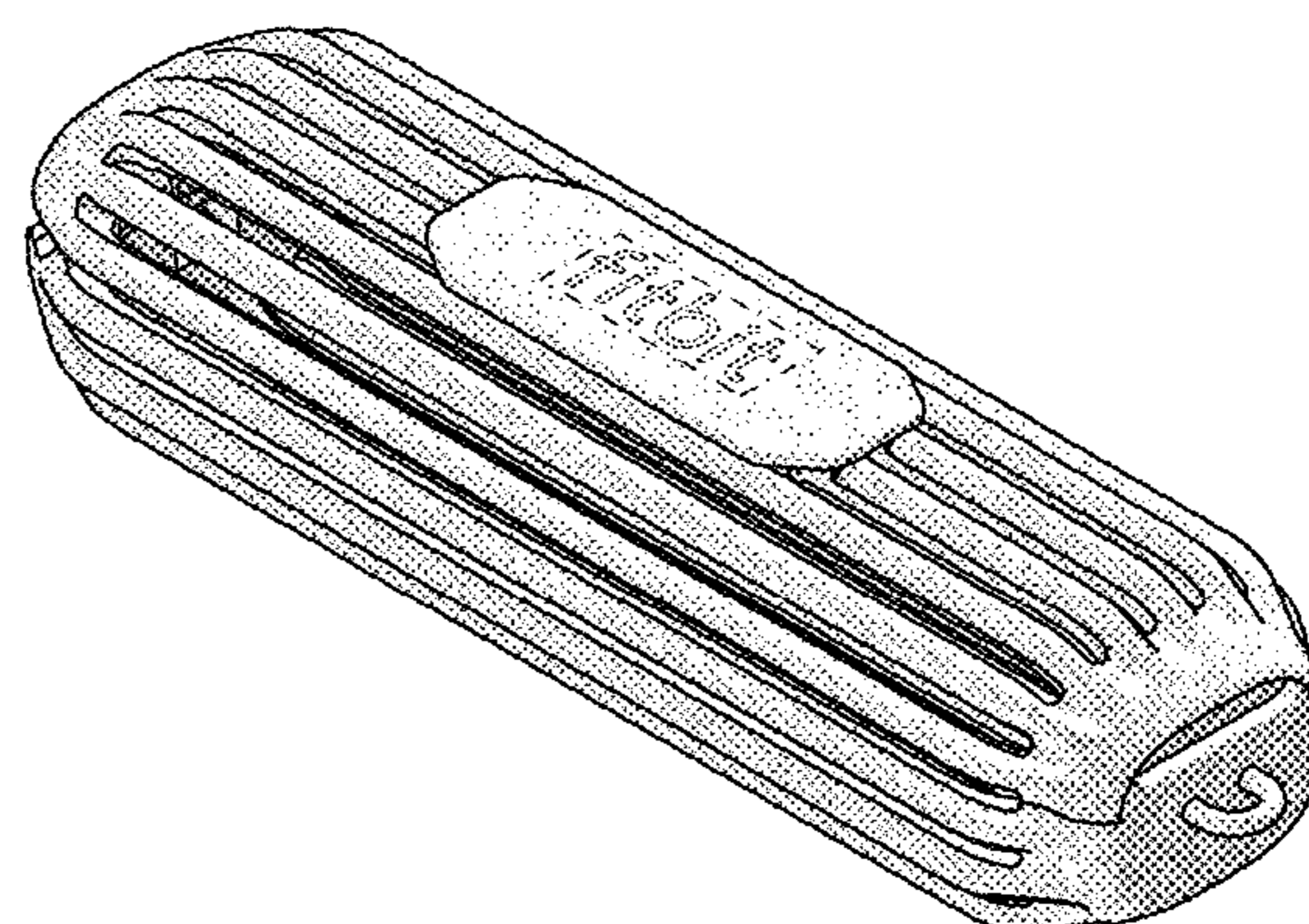
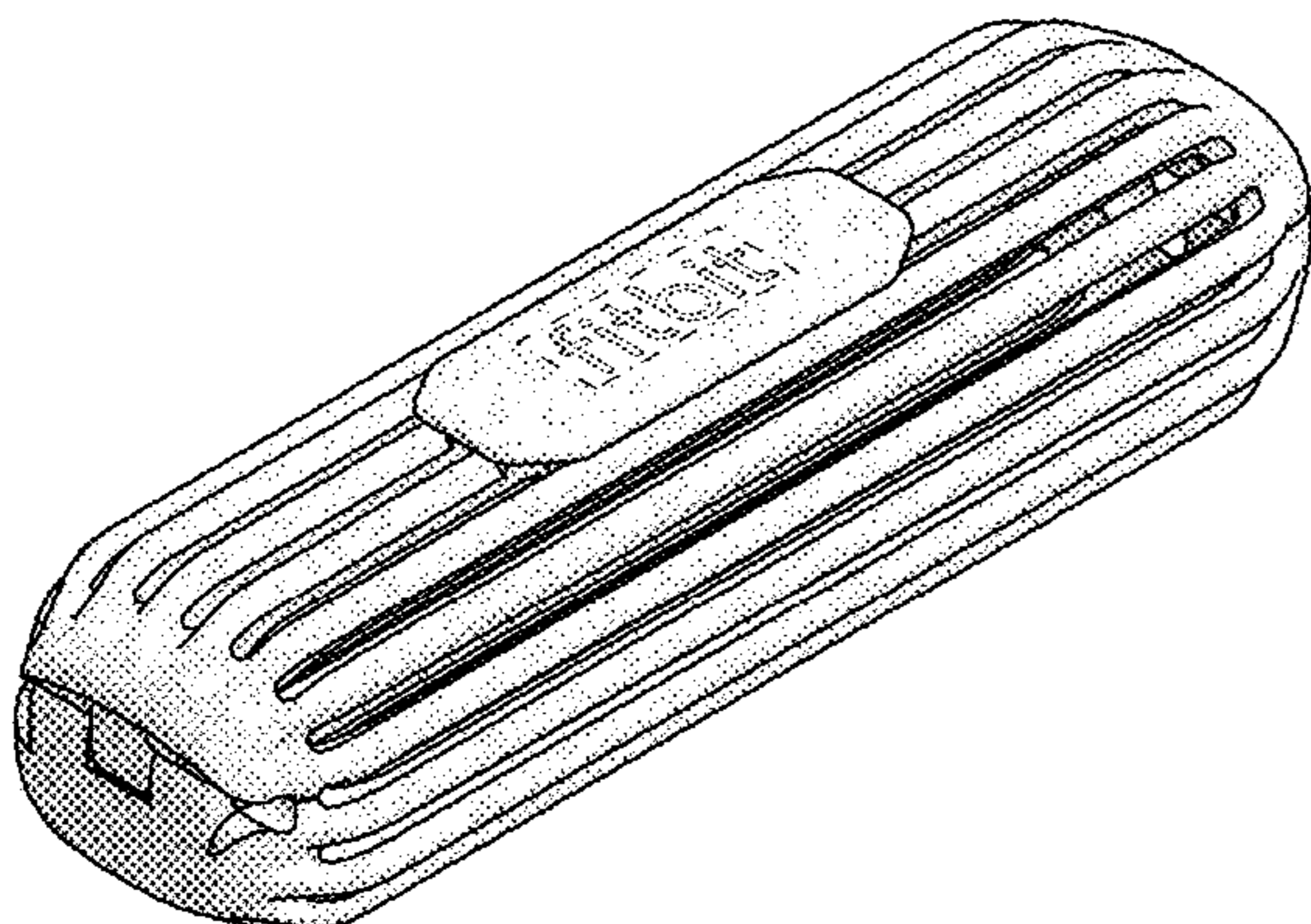


FIG. 13 is another isometric view corresponding to the perspective of FIG. 9, but with the pendant in the configuration depicted in FIG. 12.

FIG. 14 is a side view of the pendant; the left and right side views are identical since the pendant is symmetric in this respect.

FIG. 15 is a top view of the pendant.

FIG. 16 is a bottom view of the pendant.

FIG. 17 is a rear view of the pendant.

FIG. 18 is a front view of the pendant.

FIG. 19 is also a top view of the pendant, but with section lines added to show sectioning planes for FIGS. 20-23.

FIG. 20 is a side section view of the pendant along the indicated section plane.

FIG. 21 is another side section view of the pendant along the indicated section plane.

FIG. 22 is a removed section view of the pendant along the indicated section plane.

FIG. 23 is another removed section view of the pendant along the indicated section plane.

FIG. 24 is a front view of the loop component that is shown in FIG. 1.

FIG. 25 is a right side view of the loop component.

FIG. 26 is a left side view of the loop component.

FIG. 27 is a rear view of the loop component.

FIG. 28 is a bottom view of the loop component.

FIG. 29 is a top view of the loop component; and, FIG. 30 is an isometric view of the loop component.

**1 Claim, 9 Drawing Sheets**

**Related U.S. Application Data**

application No. 29/563,922, filed on May 9, 2016, and a continuation-in-part of application No. 29/565,818, filed on May 24, 2016.

(58) **Field of Classification Search**

USPC ..... D14/344, 347; D24/167, 168, 186;  
D3/218  
CPC ..... G04B 19/00-19/34; G04B 21/12; G04B  
23/12; G04B 37/00-37/228; G04B  
47/00-47/068; G01C 17/00; G01C  
21/00-21/3697; G01C 22/00-22/025;  
G01C 23/00; G06F 19/3481; G06F  
3/00-3/027

See application file for complete search history.

(56)

**References Cited**

U.S. PATENT DOCUMENTS

D707,041 S \* 6/2014 Park ..... D3/215  
D729,655 S \* 5/2015 Bauer ..... D10/70  
D758,901 S \* 6/2016 Benoit ..... D10/70  
D760,098 S \* 6/2016 Benoit ..... D10/70

\* cited by examiner

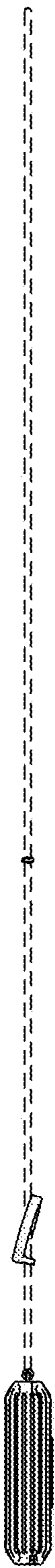


Figure 1



Figure 2



Figure 3



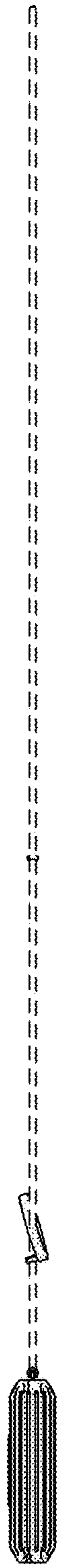


Figure 4



Figure 5

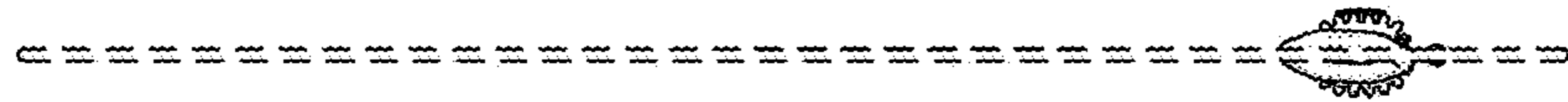


Figure 6

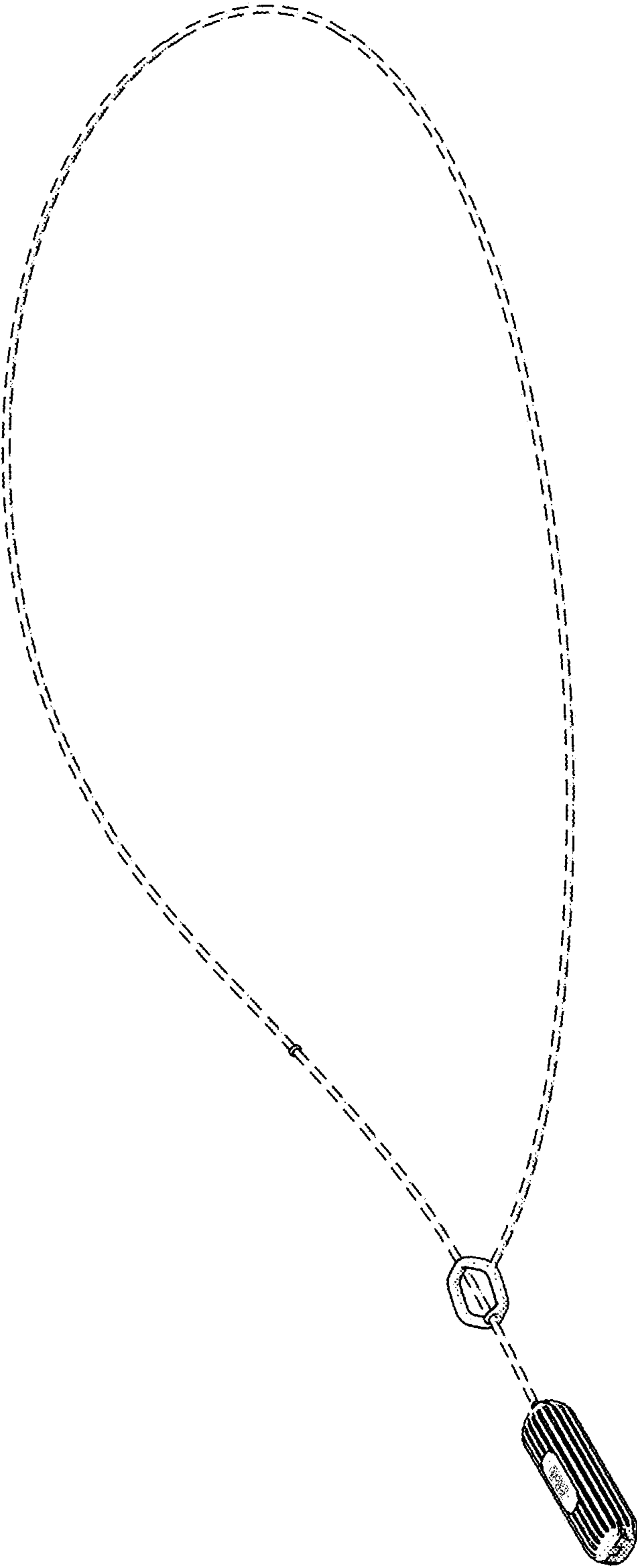


Figure 7

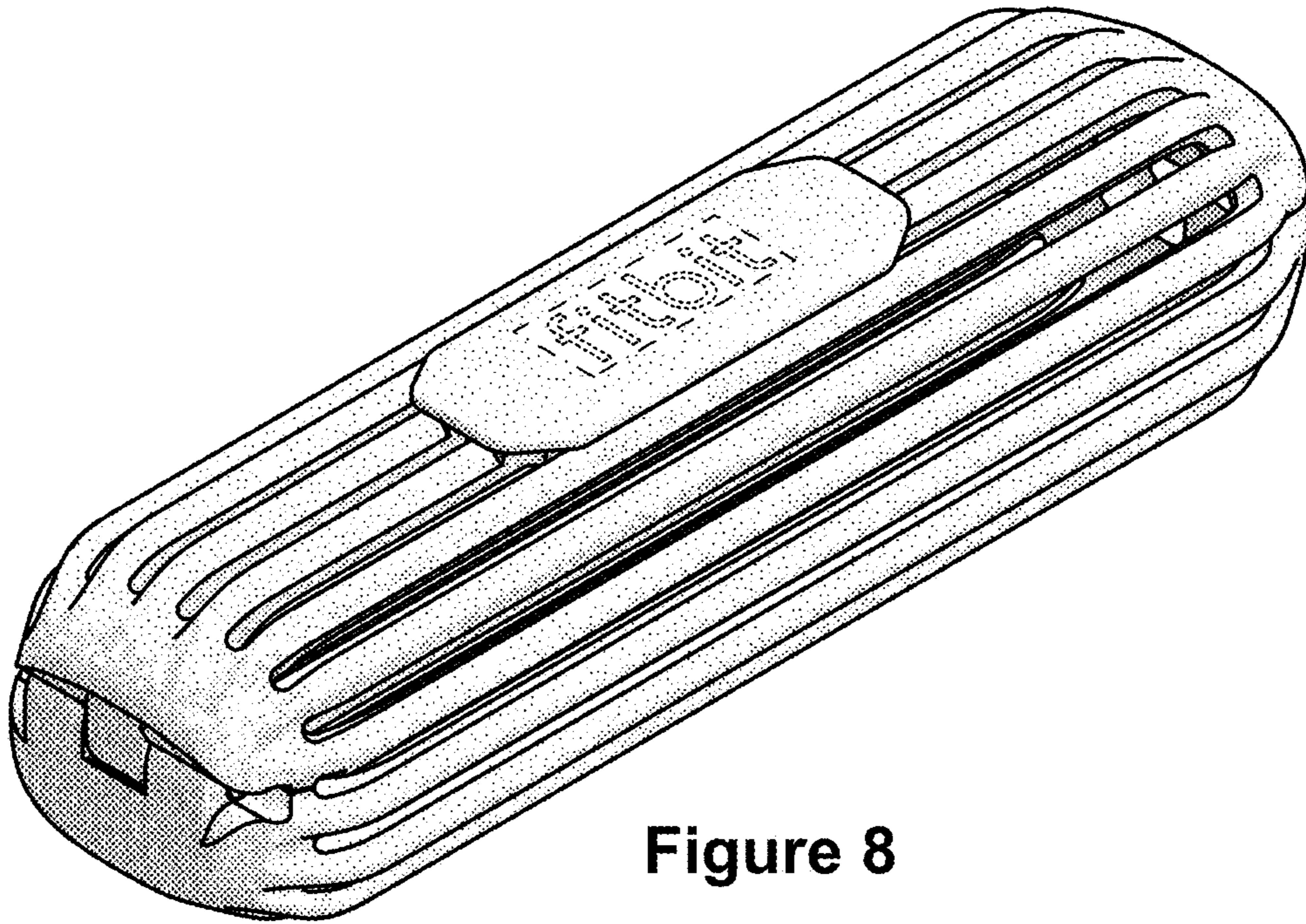


Figure 8

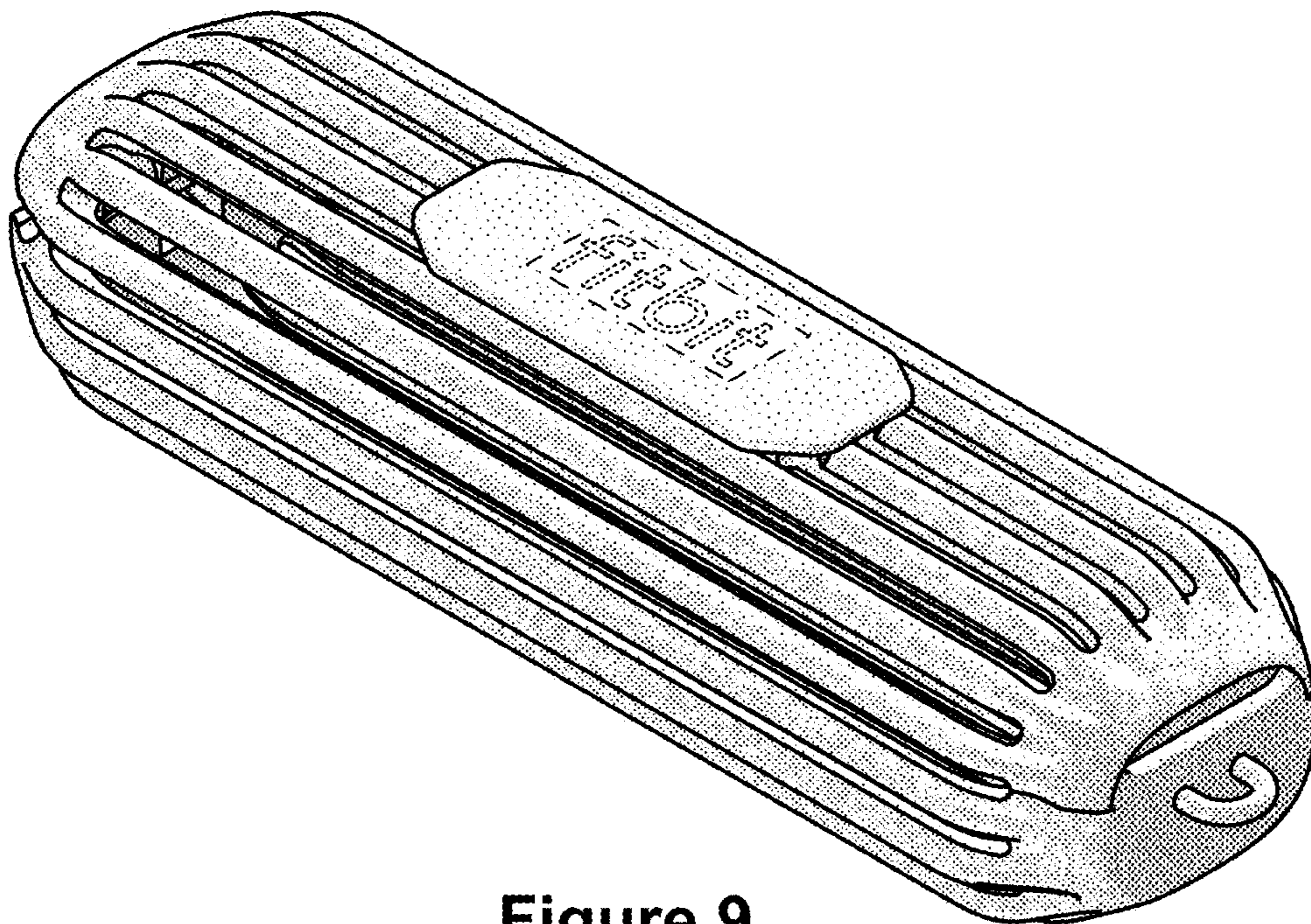


Figure 9



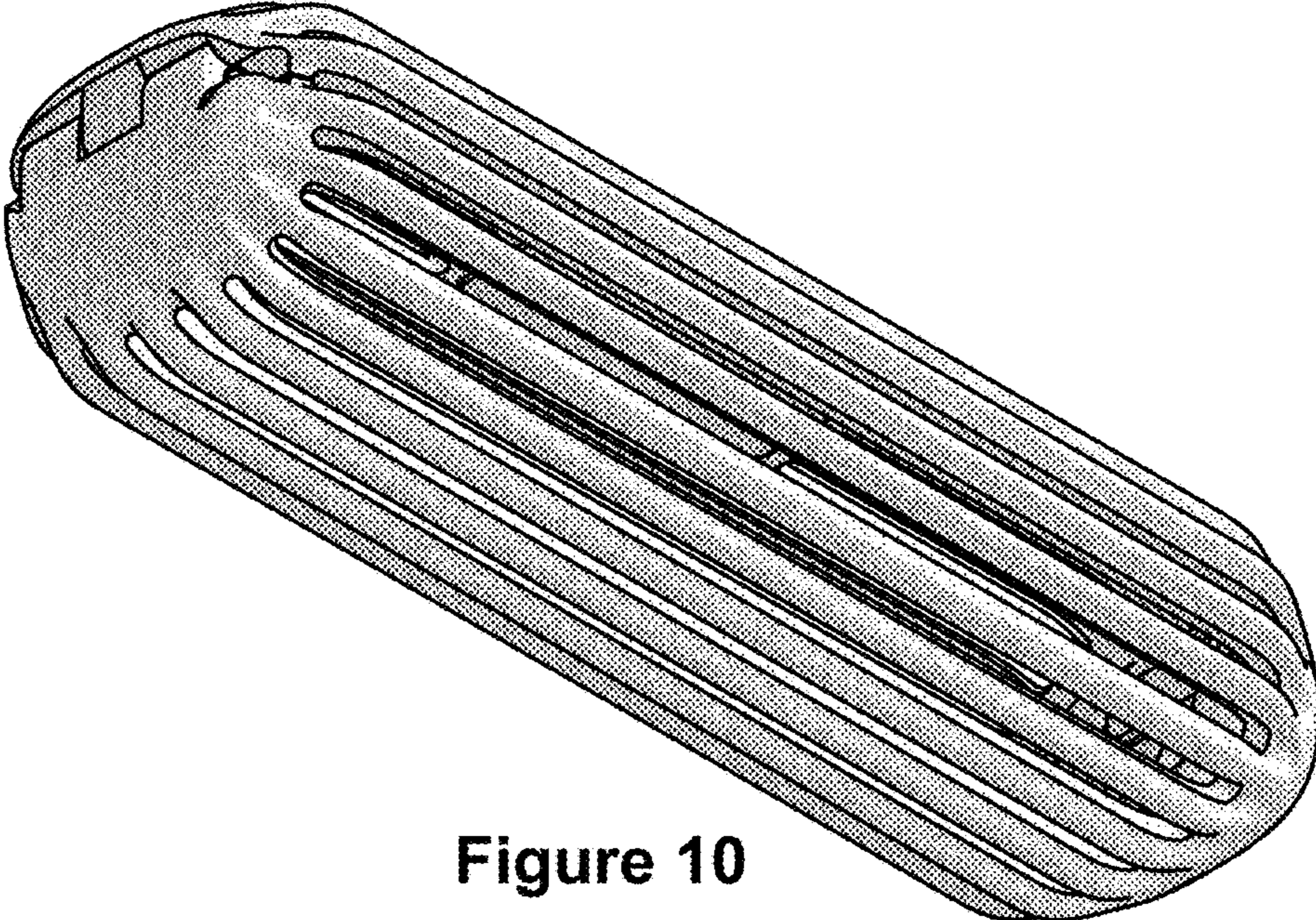


Figure 10

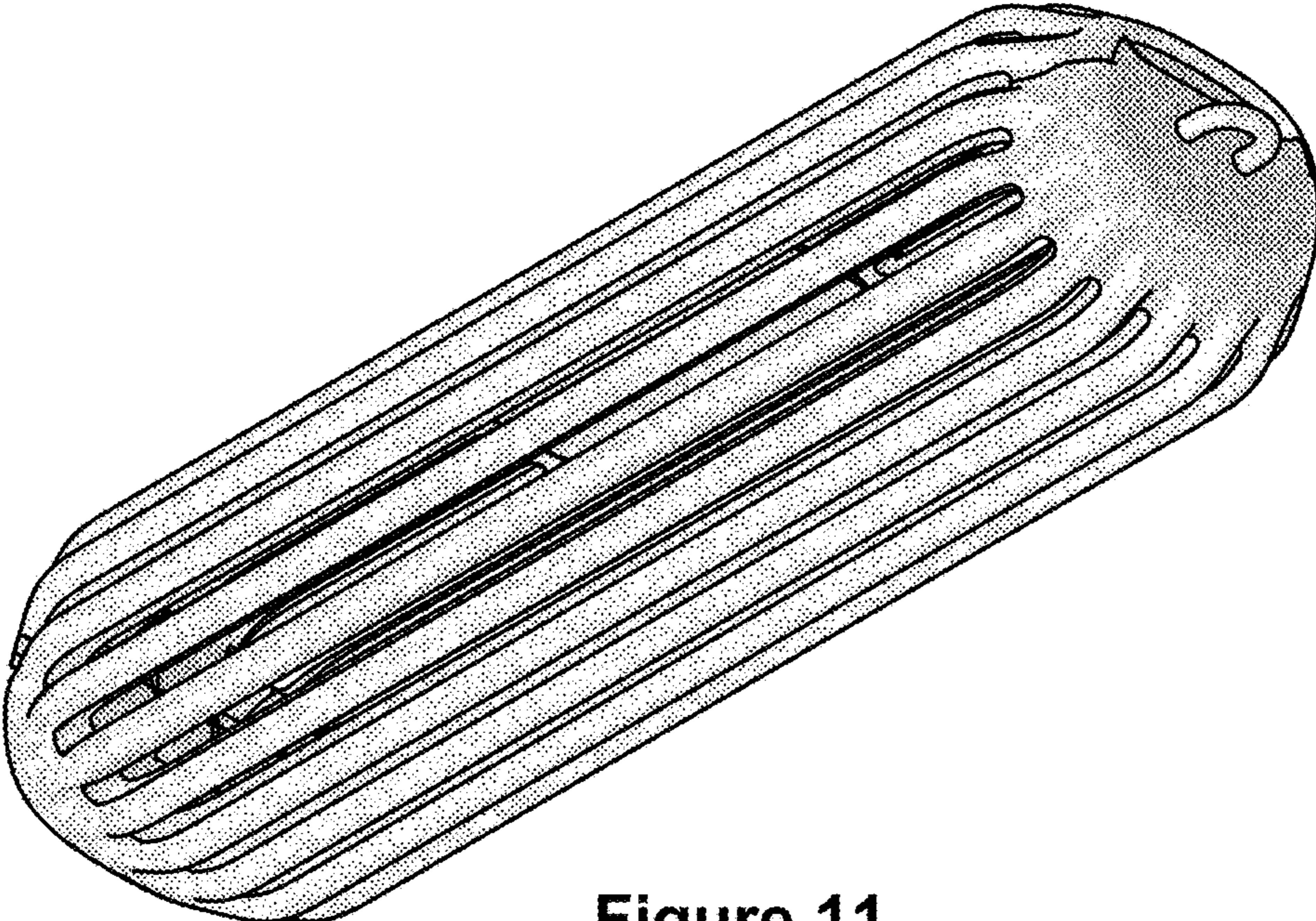


Figure 11



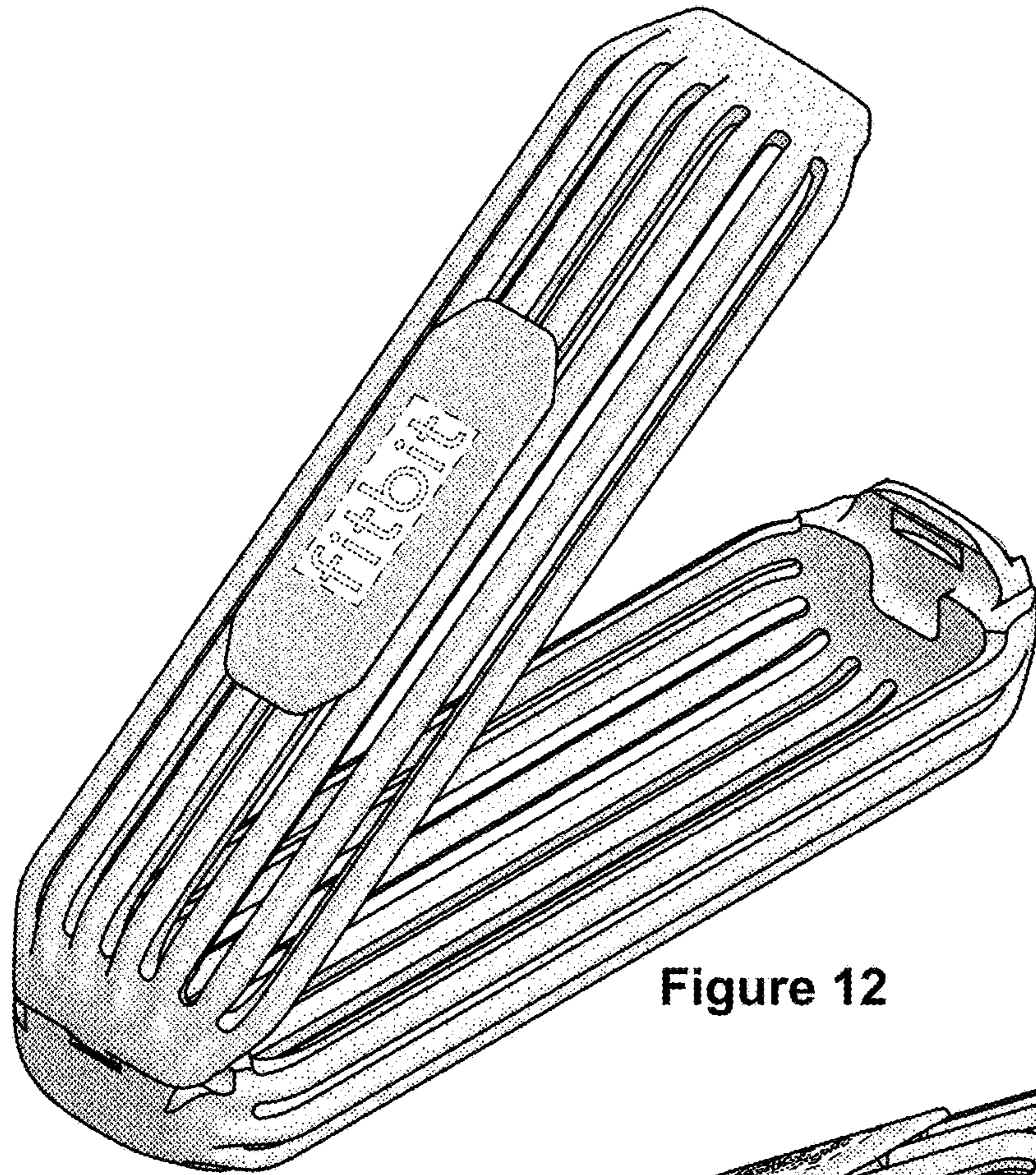


Figure 12

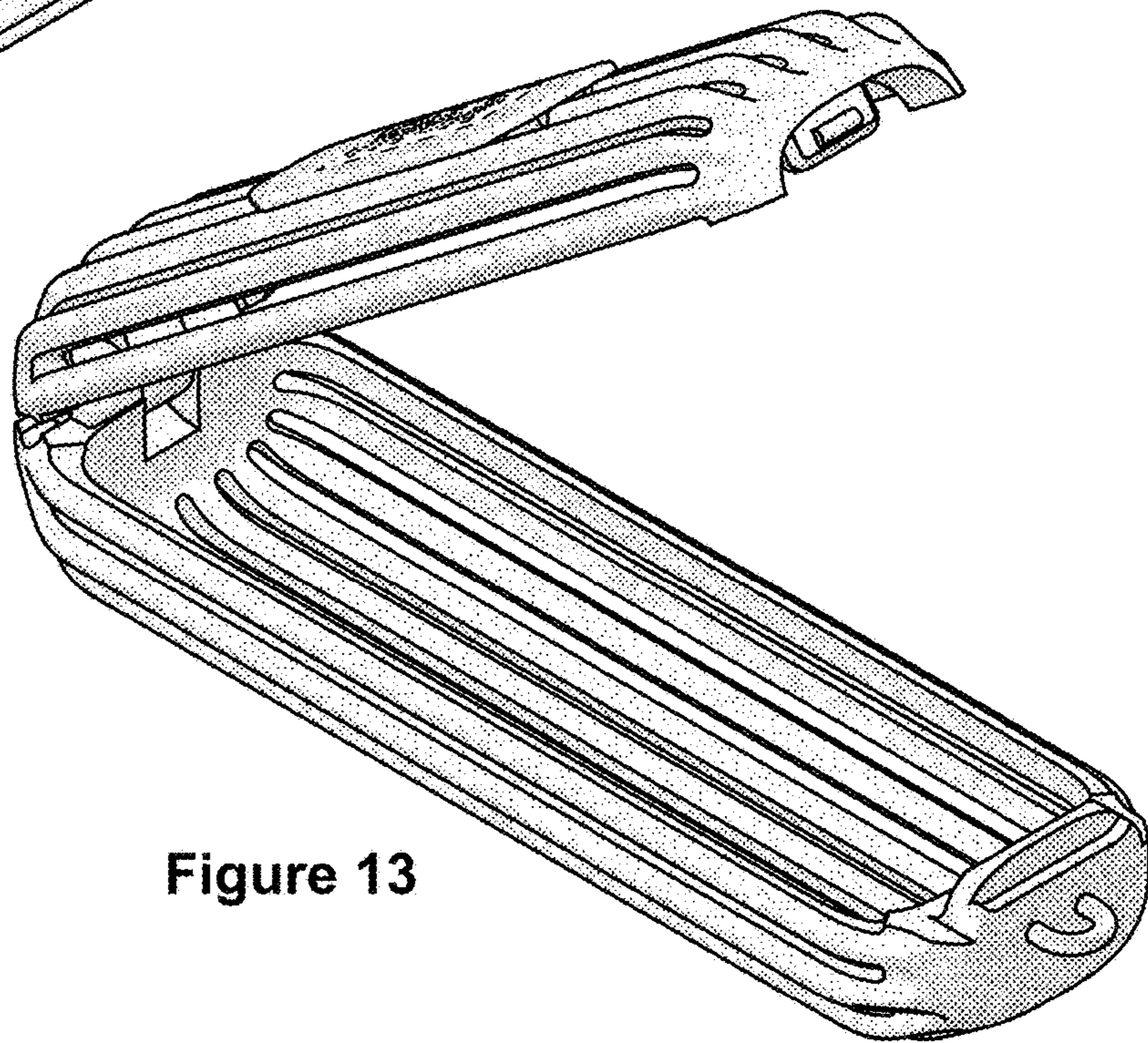


Figure 13



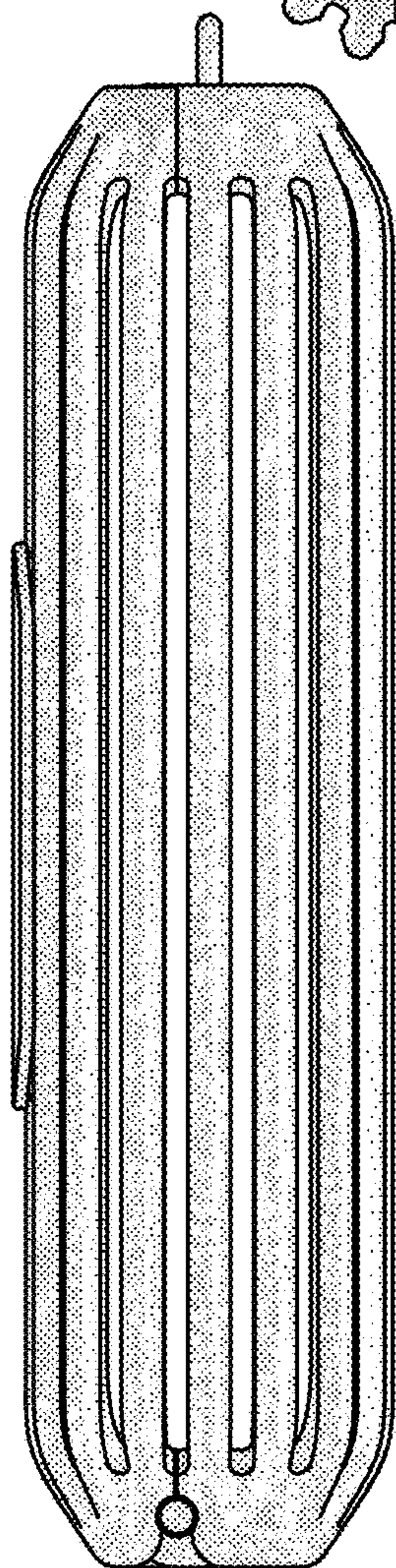


Figure 14

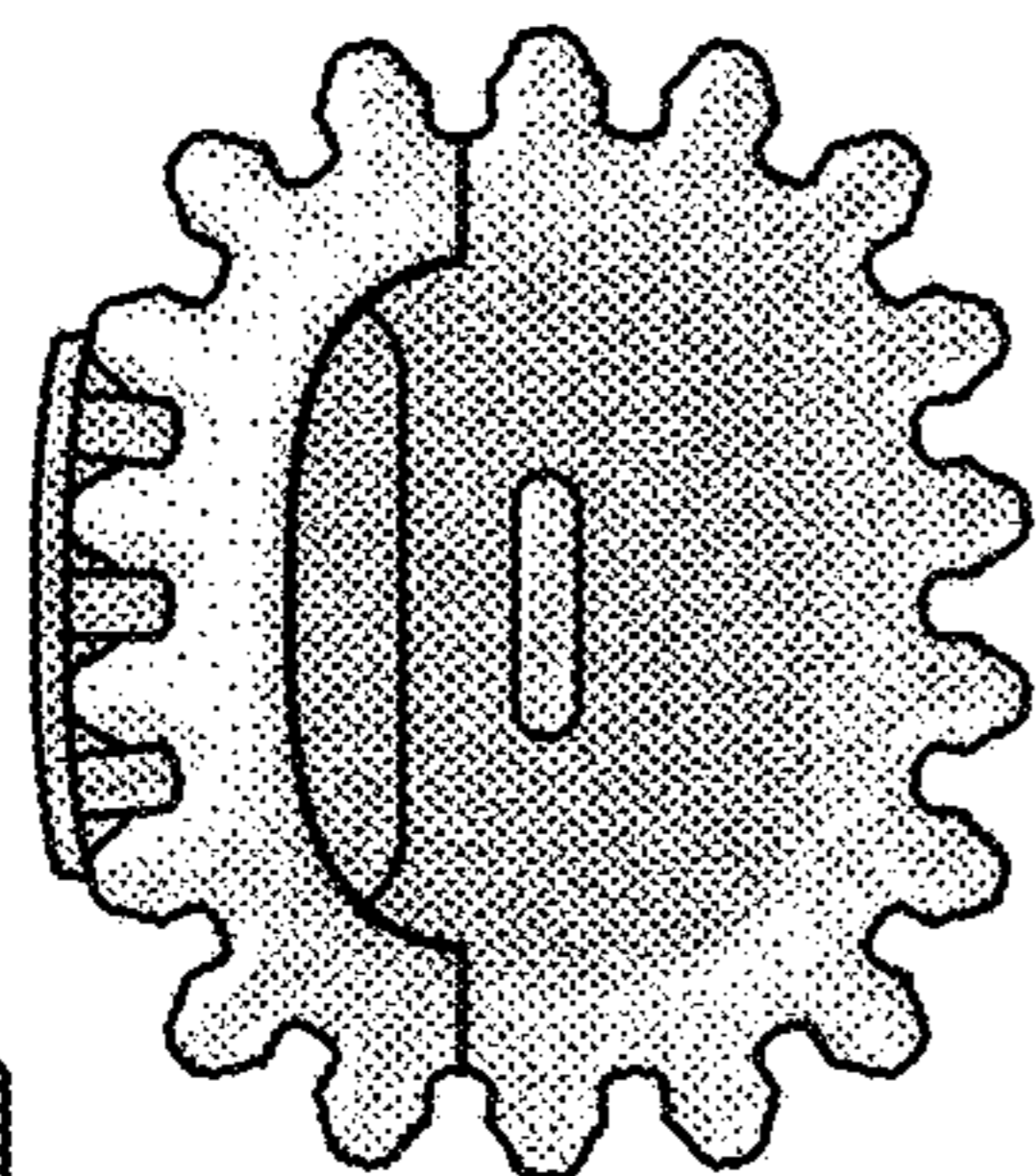


Figure 18

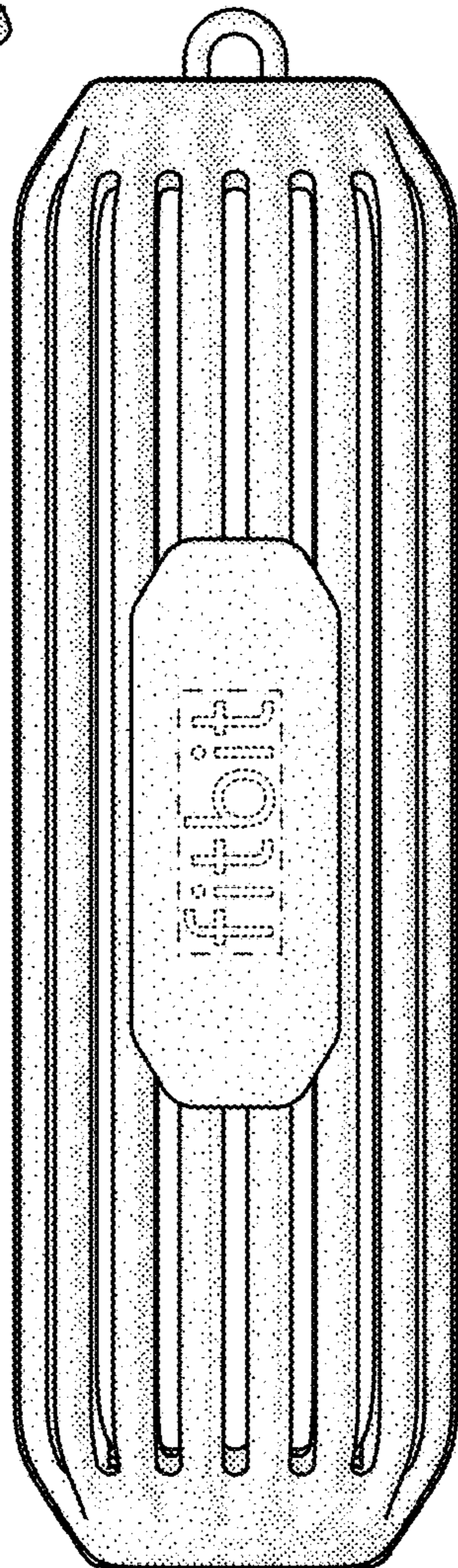


Figure 15

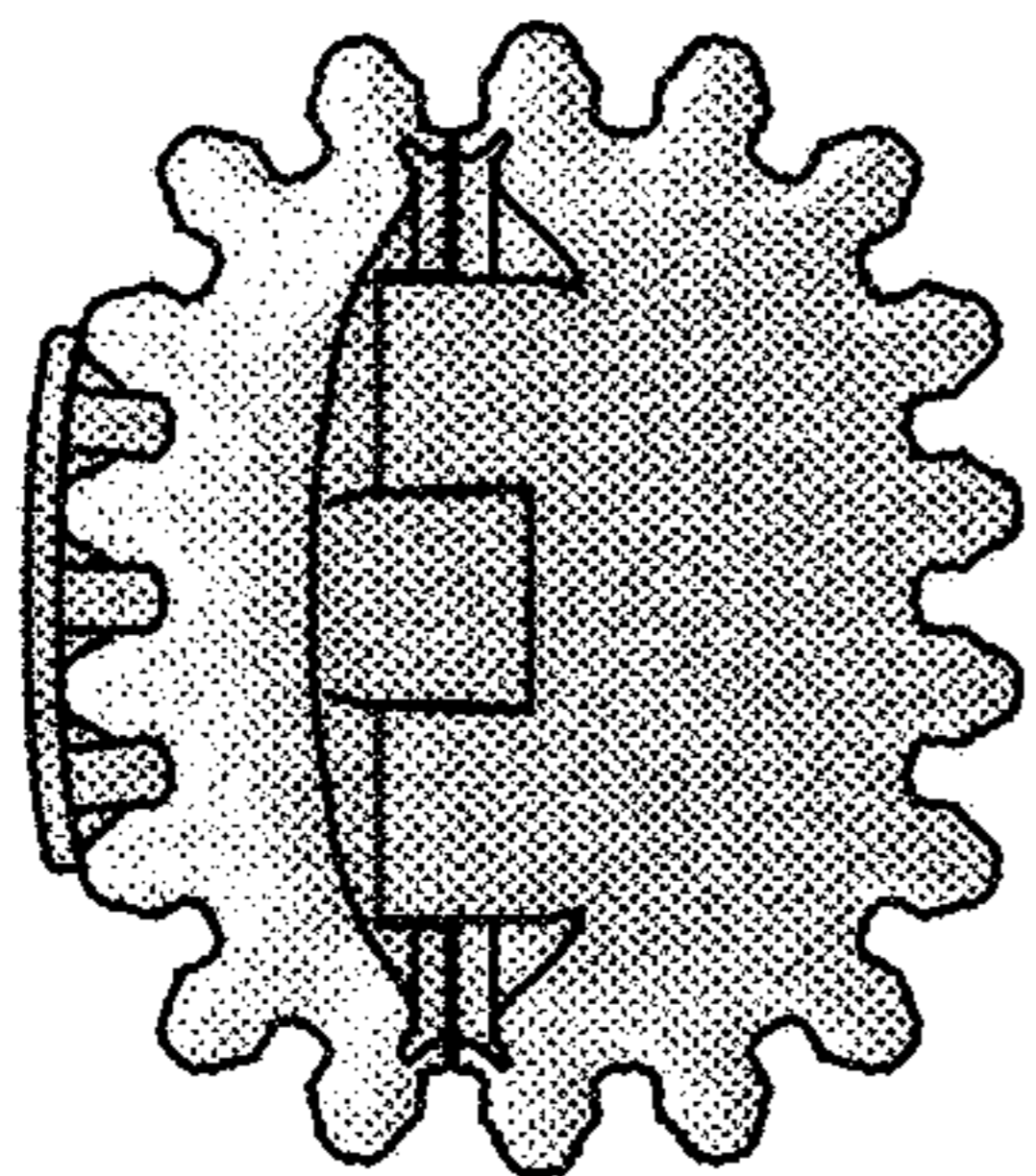


Figure 17

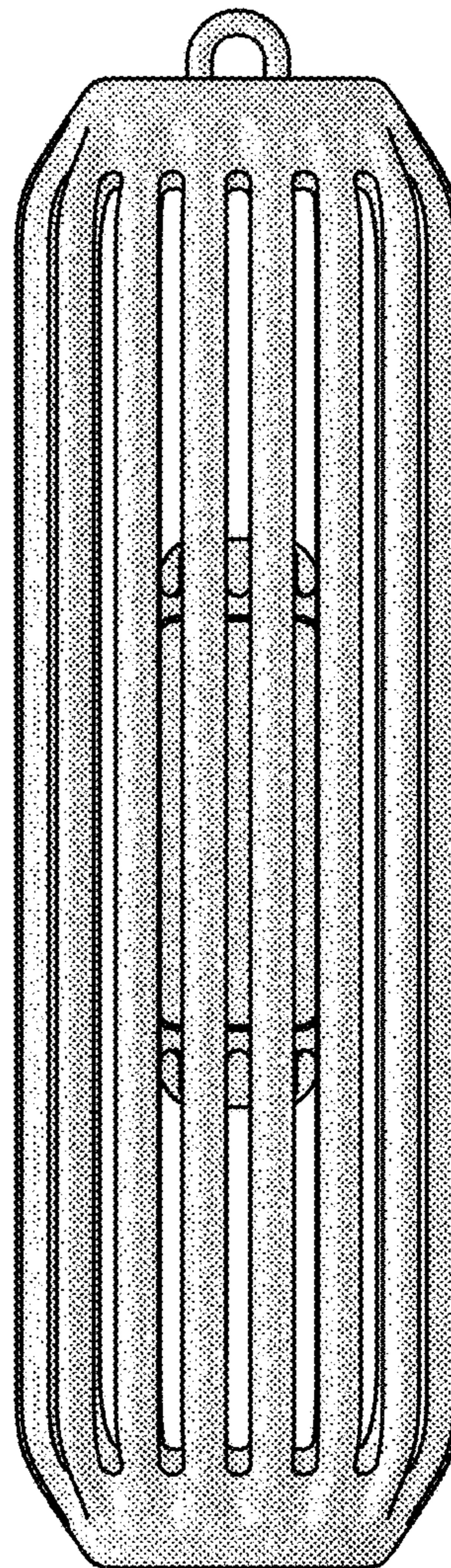


Figure 16



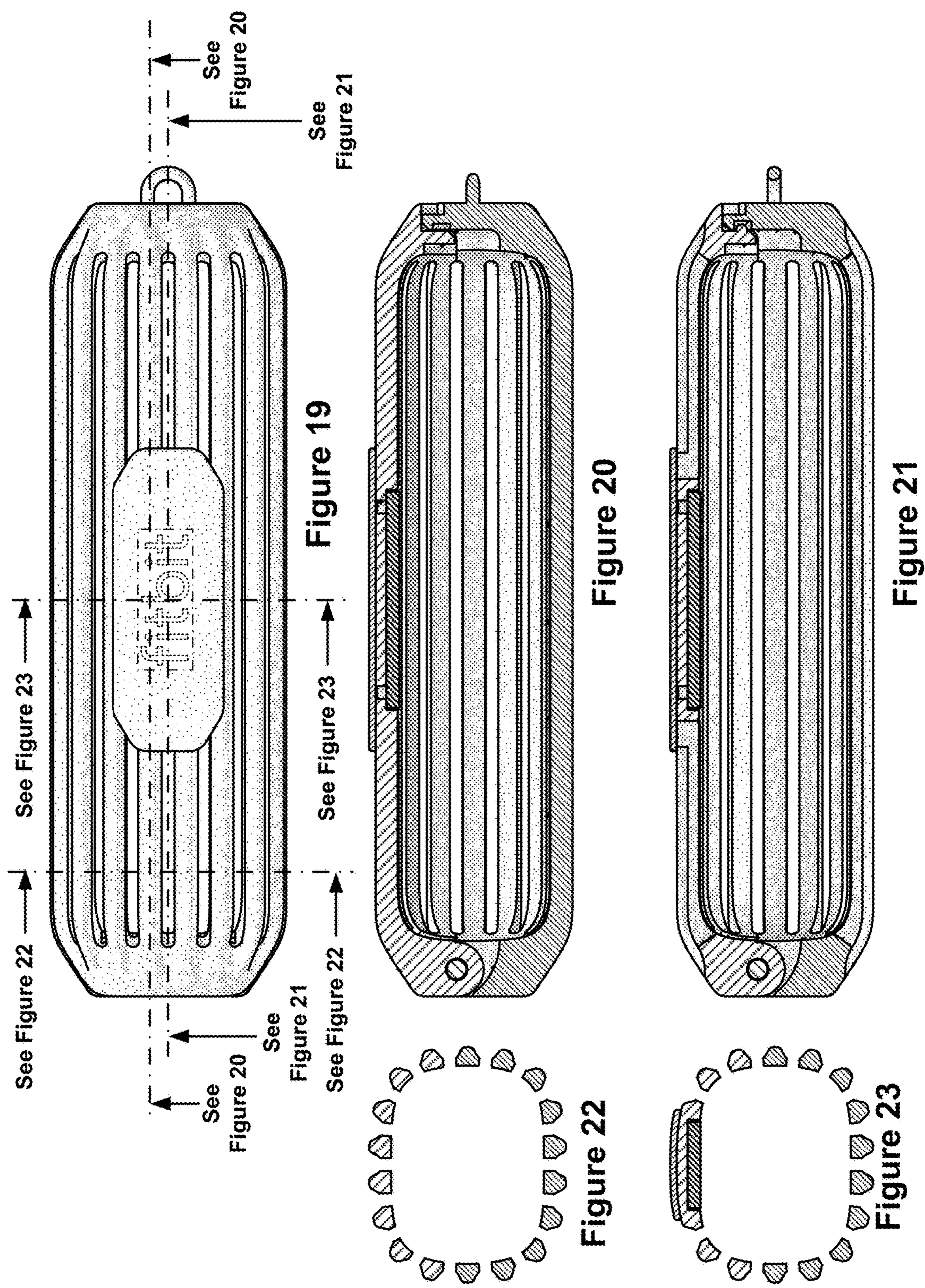


Figure 19

Figure 20

Figure 21

Figure 22

Figure 23



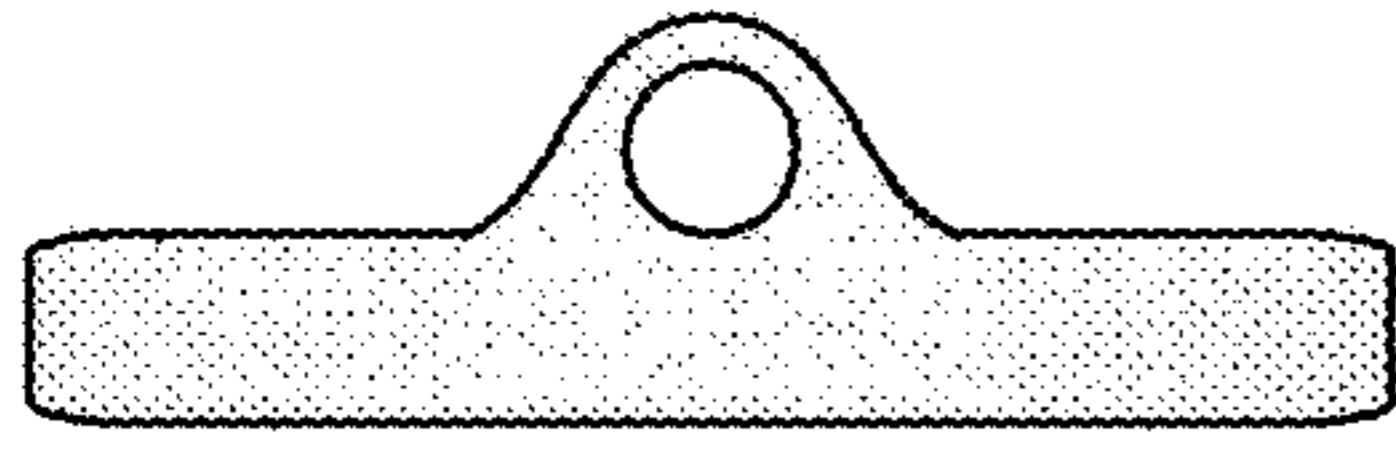


Figure 24

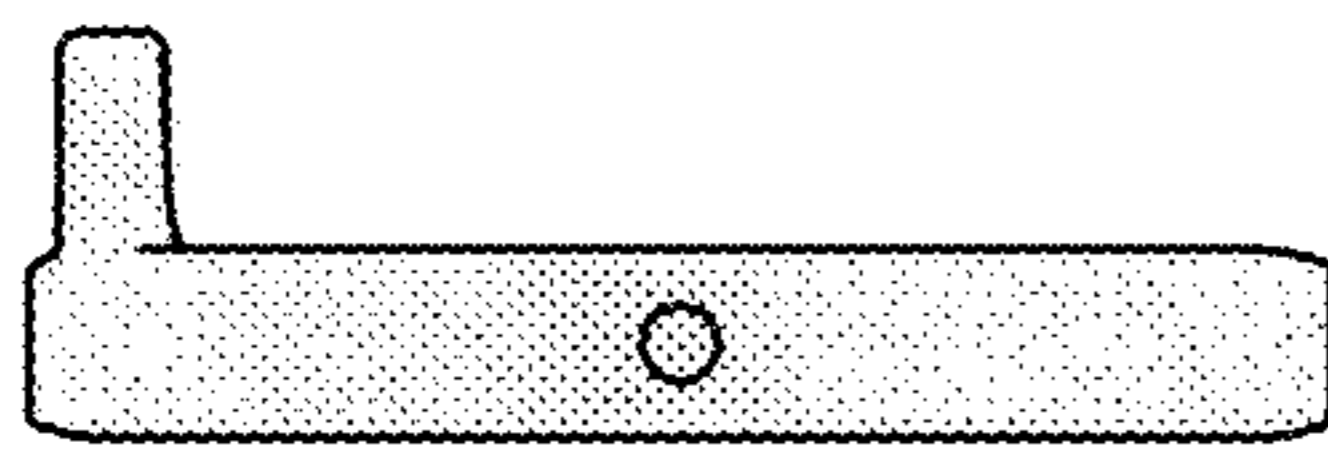


Figure 25



Figure 26

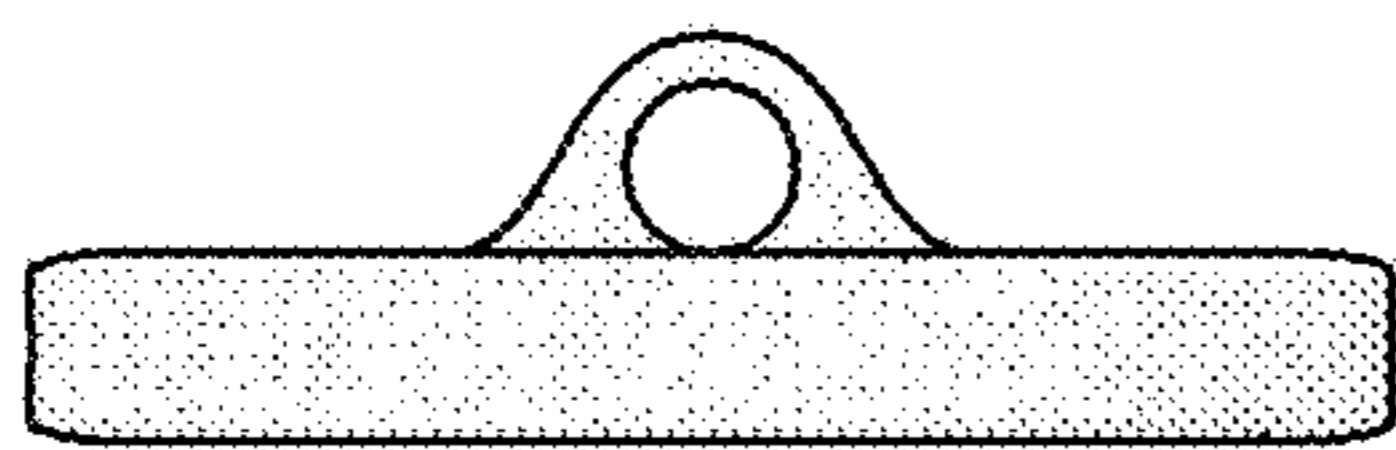


Figure 27

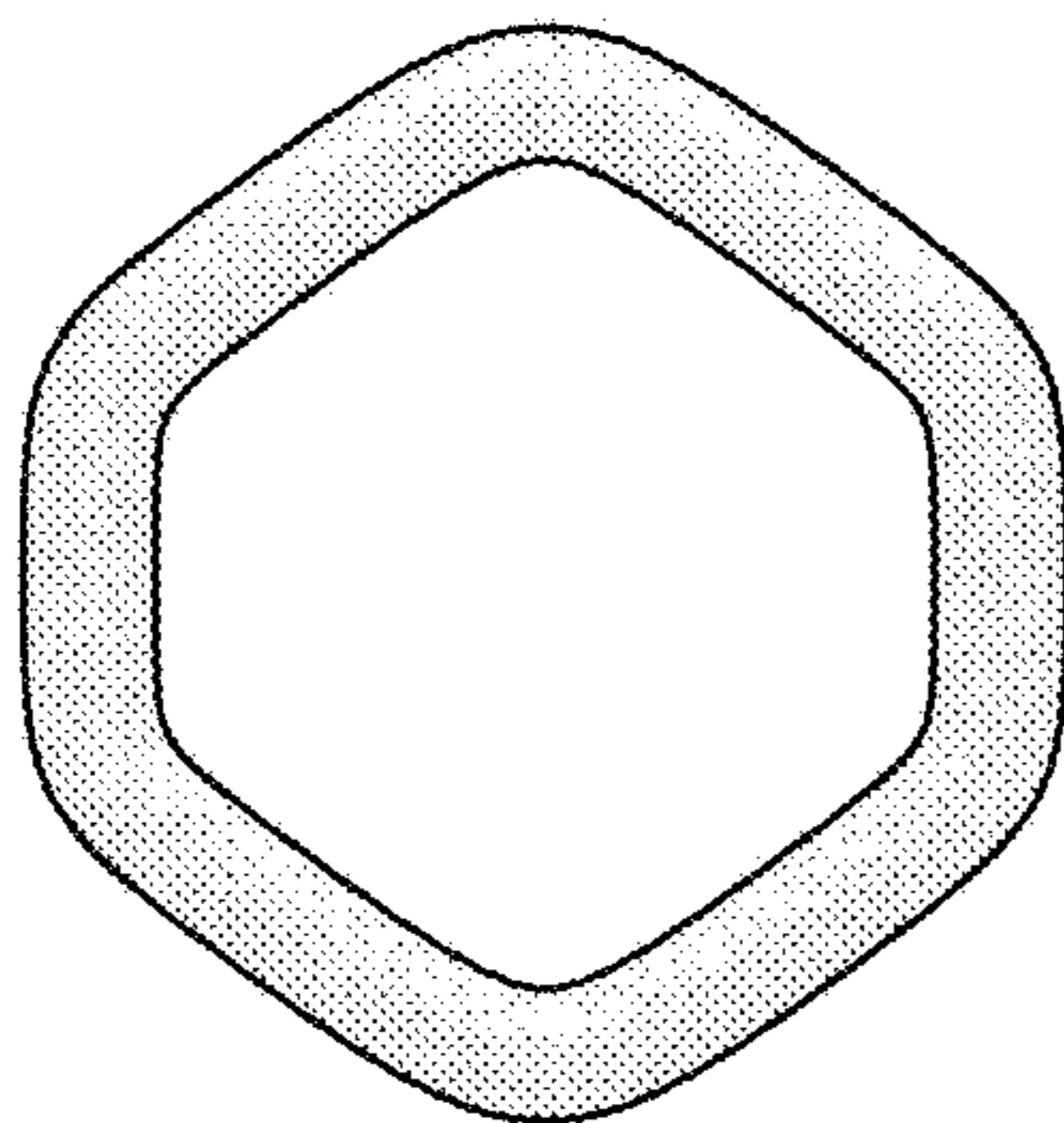


Figure 28

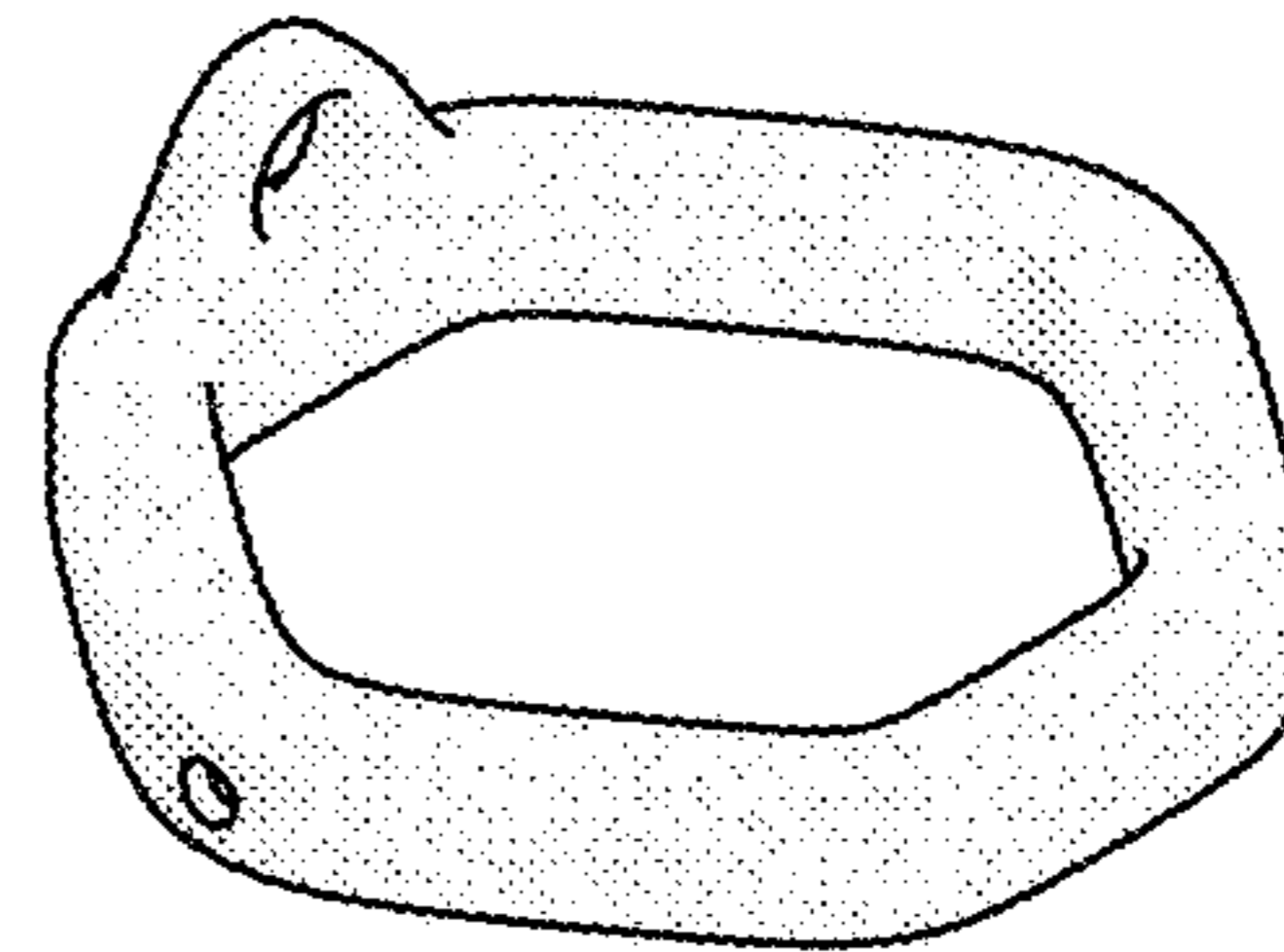


Figure 30

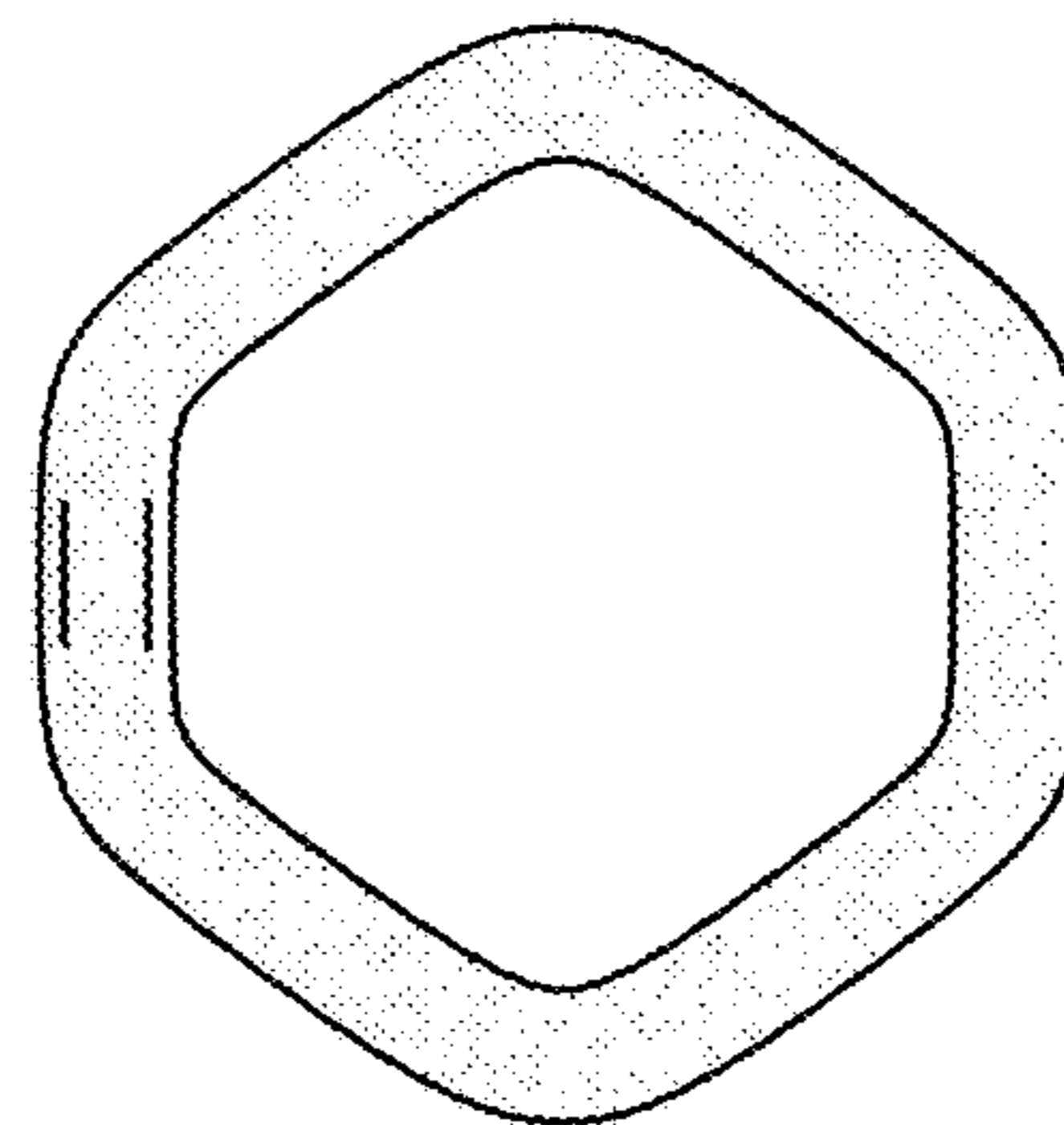


Figure 29