



US00D803076S

(12) **United States Design Patent**
Ulloa et al.

(10) **Patent No.:** **US D803,076 S**

(45) **Date of Patent:** **** Nov. 21, 2017**

(54) **WALL HANGING TOOL**

(71) Applicants: **Armando Ulloa**, Dallas, TX (US);
Alfredo Ulloa, Dallas, TX (US)

(72) Inventors: **Armando Ulloa**, Dallas, TX (US);
Alfredo Ulloa, Dallas, TX (US)

(73) Assignees: **Armando Ulloa**, Dallas, TX (US);
Alfredo Ulloa, Dallas, TX (US)

(**) Term: **15 Years**

(21) Appl. No.: **29/505,948**

(22) Filed: **Apr. 26, 2016**

(51) **LOC (10) Cl.** **10-04**

(52) **U.S. Cl.**
USPC **D10/69**

(58) **Field of Classification Search**
USPC D10/69
CPC G01C 9/26; G01C 9/28
See application file for complete search history.

(56) **References Cited**

U.S. PATENT DOCUMENTS

5,560,116 A * 10/1996 Tobia G01C 9/28
33/365
6,785,977 B1 * 9/2004 Crichton A47G 1/205
33/613

D611,367 S * 3/2010 Wu D10/69
8,061,054 B2 * 11/2011 Rabin G01C 9/26
33/342
D694,135 S * 11/2013 Kershaw D10/69
8,739,423 B1 * 6/2014 Cortum A47G 1/205
33/374

* cited by examiner

Primary Examiner — Antoine D Davis

(74) *Attorney, Agent, or Firm* — Edwin S. Flores; Chalker Flores, LLP

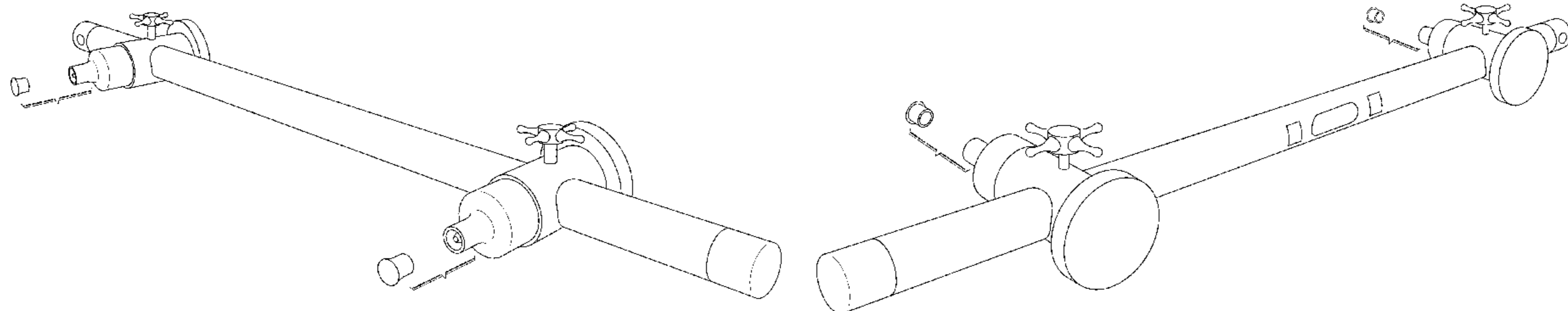
(57) **CLAIM**

We claim the ornamental design for the wall hanging tool, as shown and described.

DESCRIPTION

FIG. 1: is the front perspective elevation view of the wall hanging tool;
FIG. 2: is the back perspective elevation view thereof;
FIG. 3: is the front elevation view thereof;
FIG. 4: is the back elevation view thereof;
FIG. 5: is the side elevation view thereof; and,
FIG. 6: is the top elevation view thereof.

1 Claim, 4 Drawing Sheets



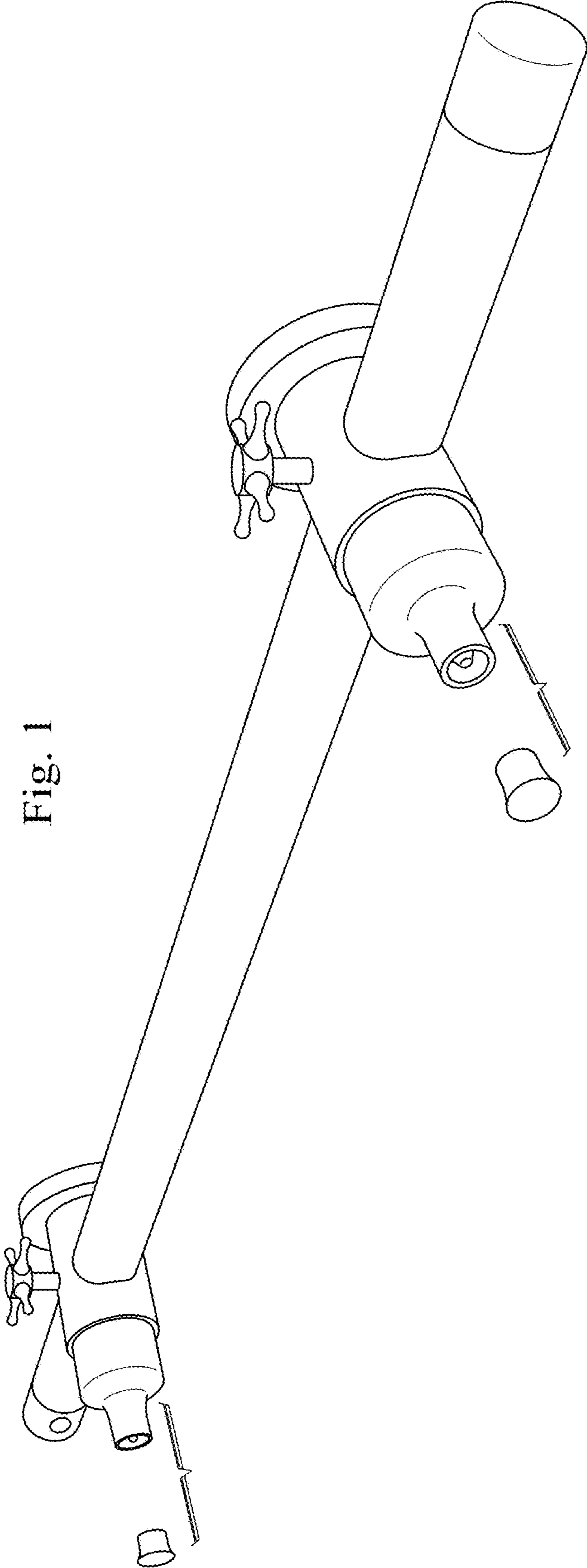


Fig. 1

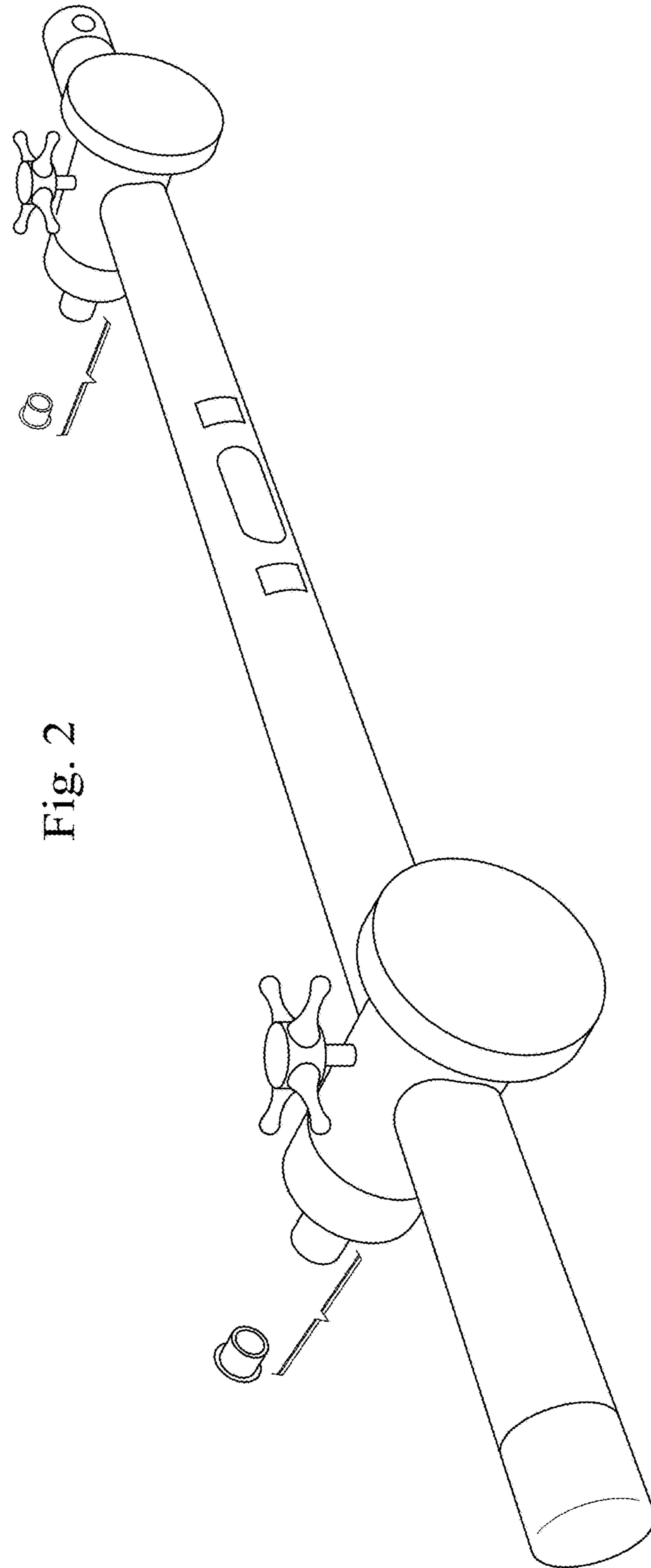


Fig. 2

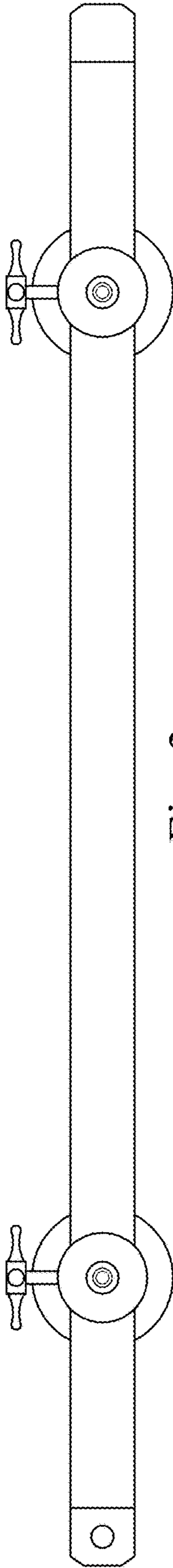


Fig. 3

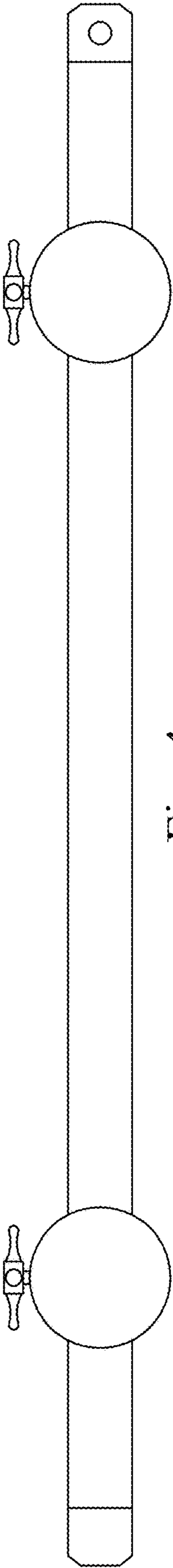


Fig. 4

