



US00D803073S

(12) **United States Design Patent** (10) **Patent No.:** **US D803,073 S**  
**Ji et al.** (45) **Date of Patent:** **\*\* Nov. 21, 2017**

(54) **AMBIENT SENSOR**

11/0086; F24F 2011/0013; F24F  
2011/0016; F24F 2011/0019; F24F  
2011/002

(71) Applicants: **NANNING FUGUI PRECISION  
INDUSTRIAL CO., LTD.**, Nanning  
(CN); **HON HAI PRECISION  
INDUSTRY CO., LTD.**, New Taipei  
(TW)

See application file for complete search history.

(56) **References Cited**

U.S. PATENT DOCUMENTS

(72) Inventors: **Yan-Juan Ji**, Shenzhen (CN); **Wei-Min  
Chang**, New Taipei (TW)

D747,984 S *	1/2016	Zhao .....	D10/52
D750,980 S *	3/2016	Takach .....	D10/50
D756,811 S *	5/2016	Xiao .....	D10/52
D764,320 S *	8/2016	Li .....	D10/50
D779,977 S *	2/2017	Jacob .....	D10/50
D783,422 S *	4/2017	Kashimoto .....	D10/50

(73) Assignees: **NANNING FUGUI PRECISION  
INDUSTRIAL CO., LTD.**, Nanning  
(CN); **HON HAI PRECISION  
INDUSTRY CO., LTD.**, New Taipei  
(TW)

\* cited by examiner

*Primary Examiner* — Antoine D Davis

(\*\*) Term: **15 Years**

(74) *Attorney, Agent, or Firm* — Steven Reiss

(21) Appl. No.: **29/553,336**

(57) **CLAIM**

(22) Filed: **Feb. 1, 2016**

The ornamental design for an ambient sensor, as shown and described.

**DESCRIPTION**

(30) **Foreign Application Priority Data**

Sep. 25, 2015 (CN) ..... 201530376384.2

(51) **LOC (10) Cl.** ..... **10-04**

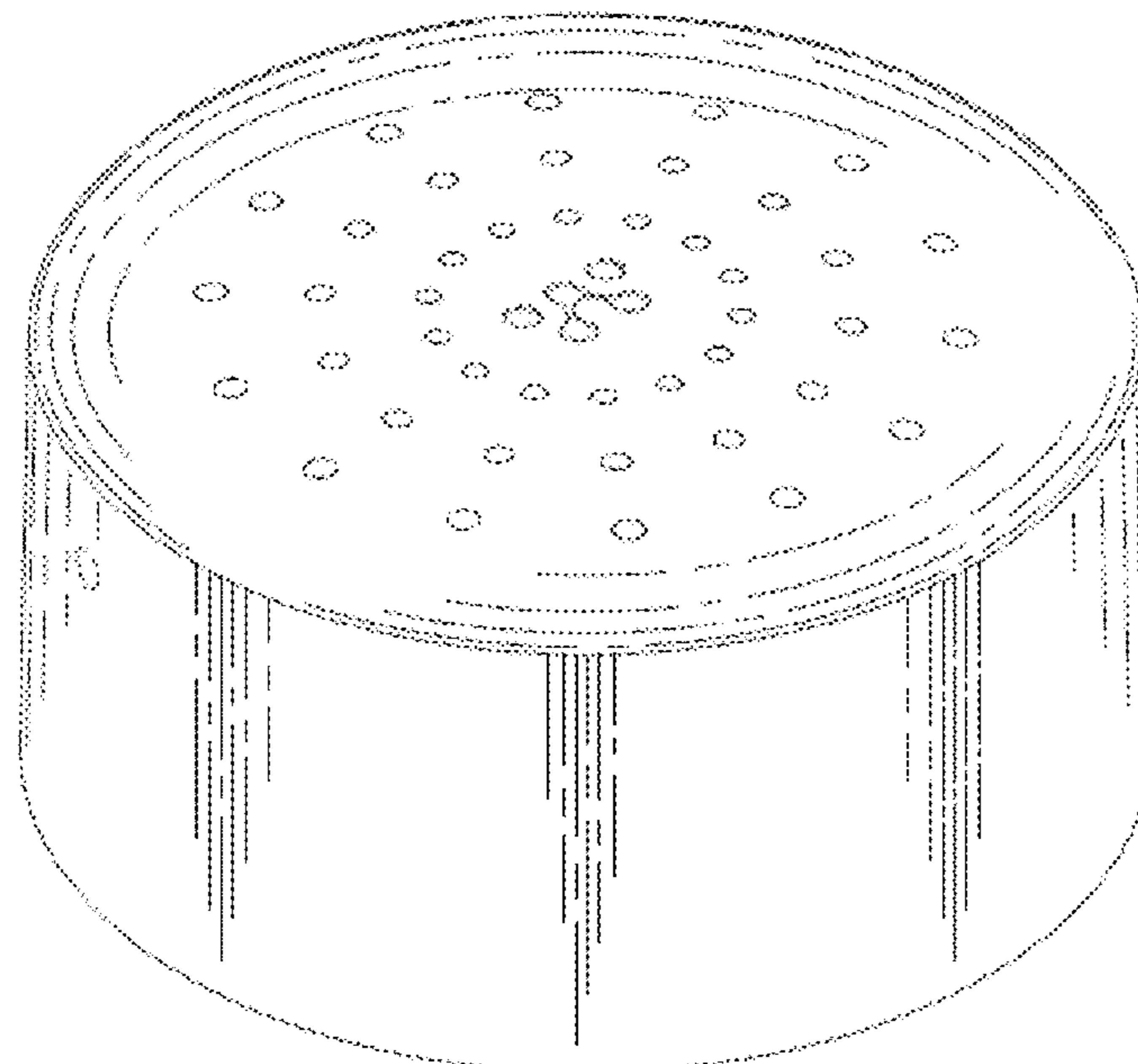
(52) **U.S. Cl.**  
USPC ..... **D10/52; D10/53**

(58) **Field of Classification Search**  
USPC ..... D10/46, 49, 50, 52-56  
CPC ..... G01N 25/56; G01N 25/72; G01K 1/00;  
G01K 1/02; G01K 1/024; G01K 1/026;  
G01K 1/08; F24F 11/001; F24F 11/0012;  
F24F 11/0015; F24F 11/0017; F24F

FIG. 1 is a perspective view of an ambient sensor;  
FIG. 2 is a front elevational view thereof;  
FIG. 3 is a rear elevational view thereof;  
FIG. 4 is a left side elevational view thereof;  
FIG. 5 is a right side elevational view thereof;  
FIG. 6 is a top plan view thereof; and,  
FIG. 7 is a bottom plan view thereof.

The broken lines in the drawings are used to illustrate environmental structures, and form no part of the claimed design.

**1 Claim, 7 Drawing Sheets**



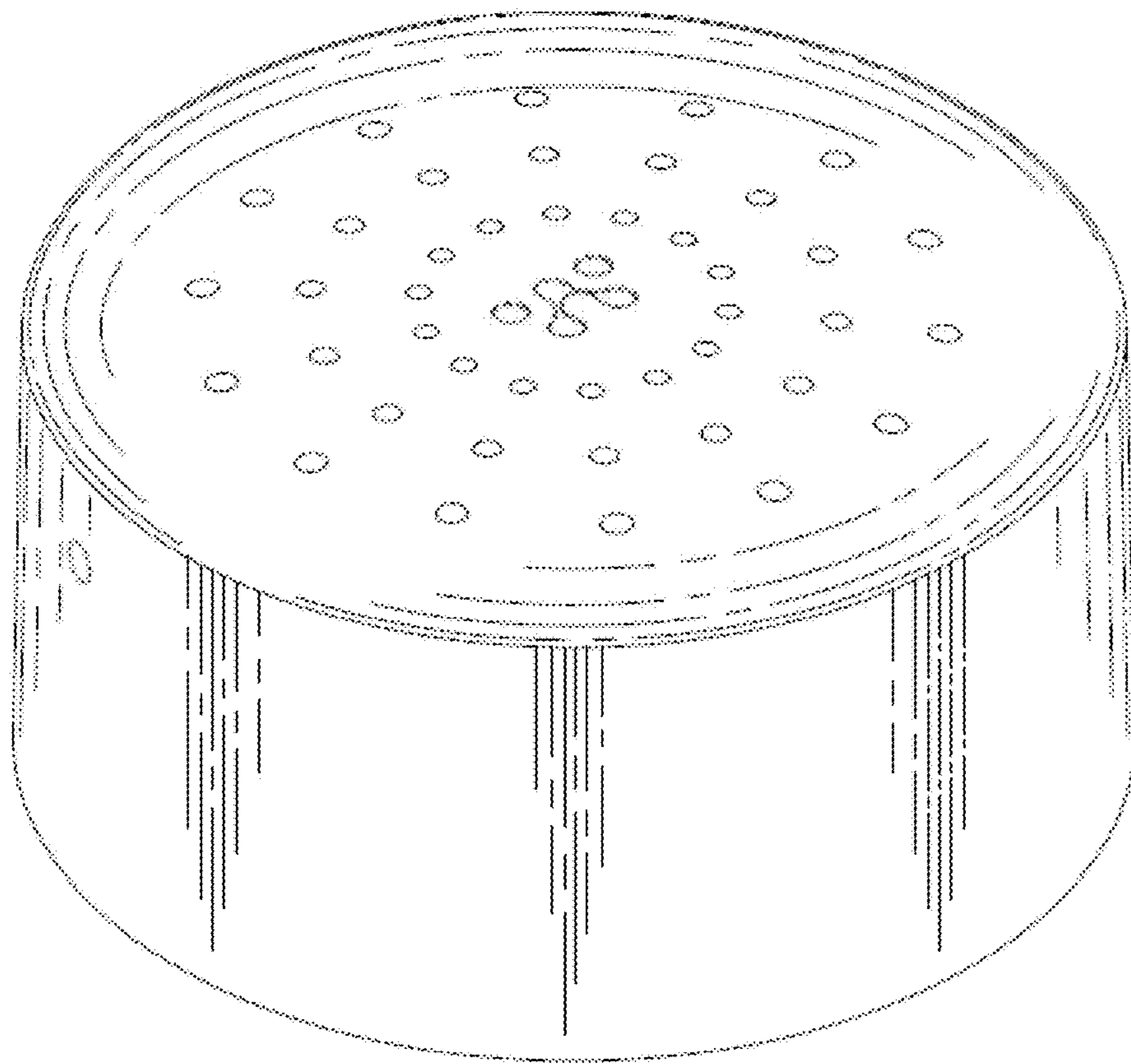


FIG. 1

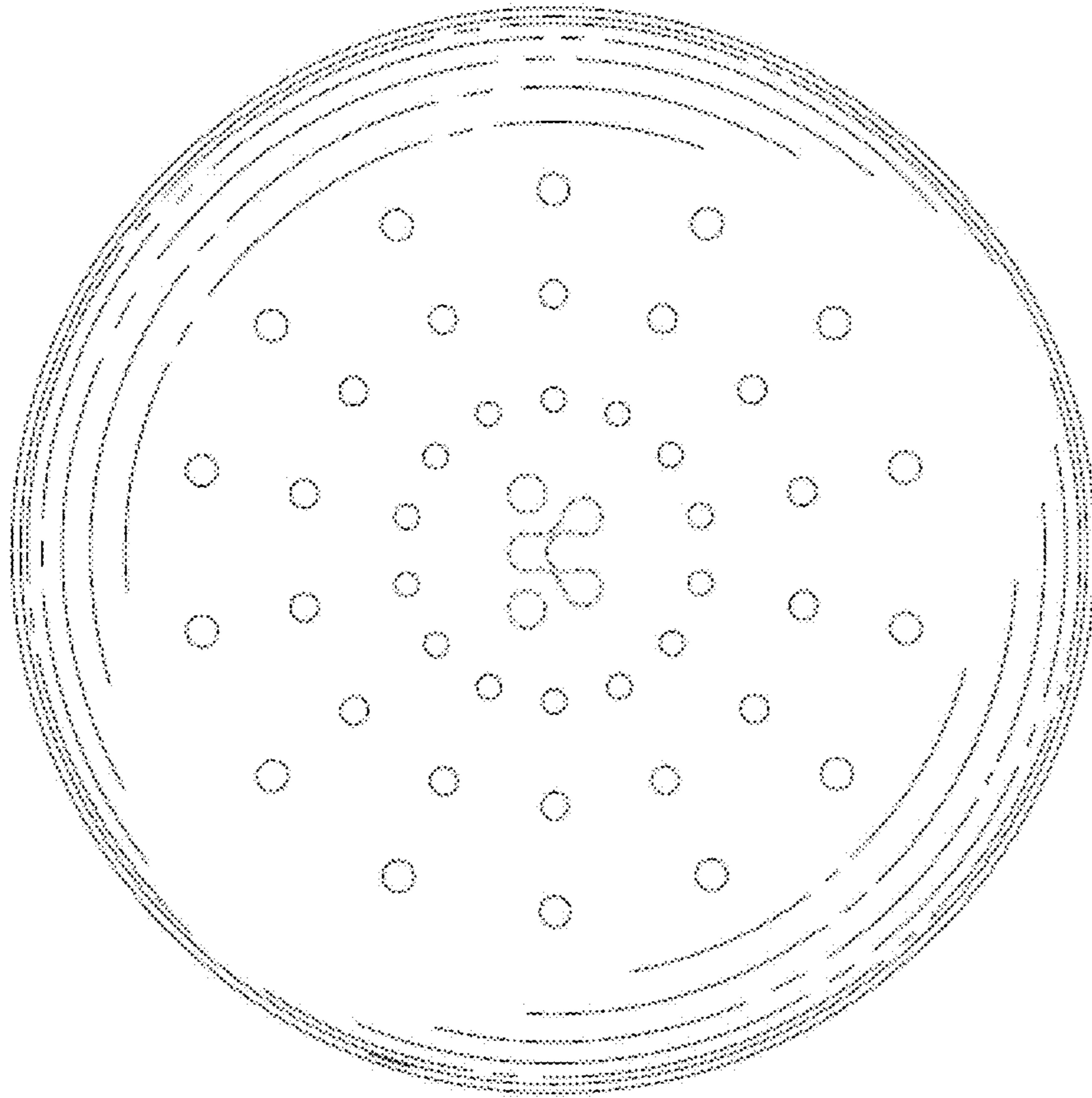


FIG. 2

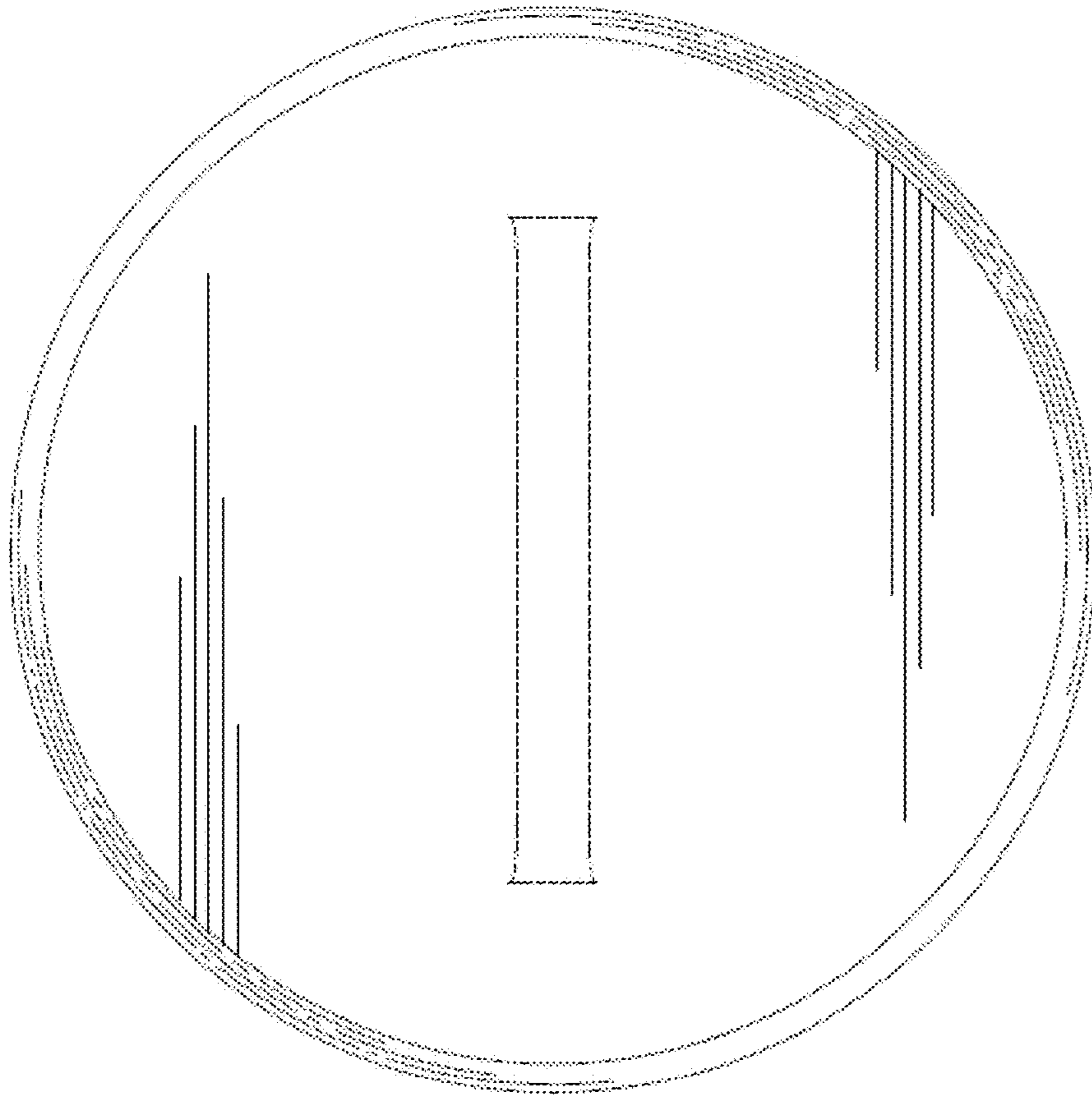


FIG. 3

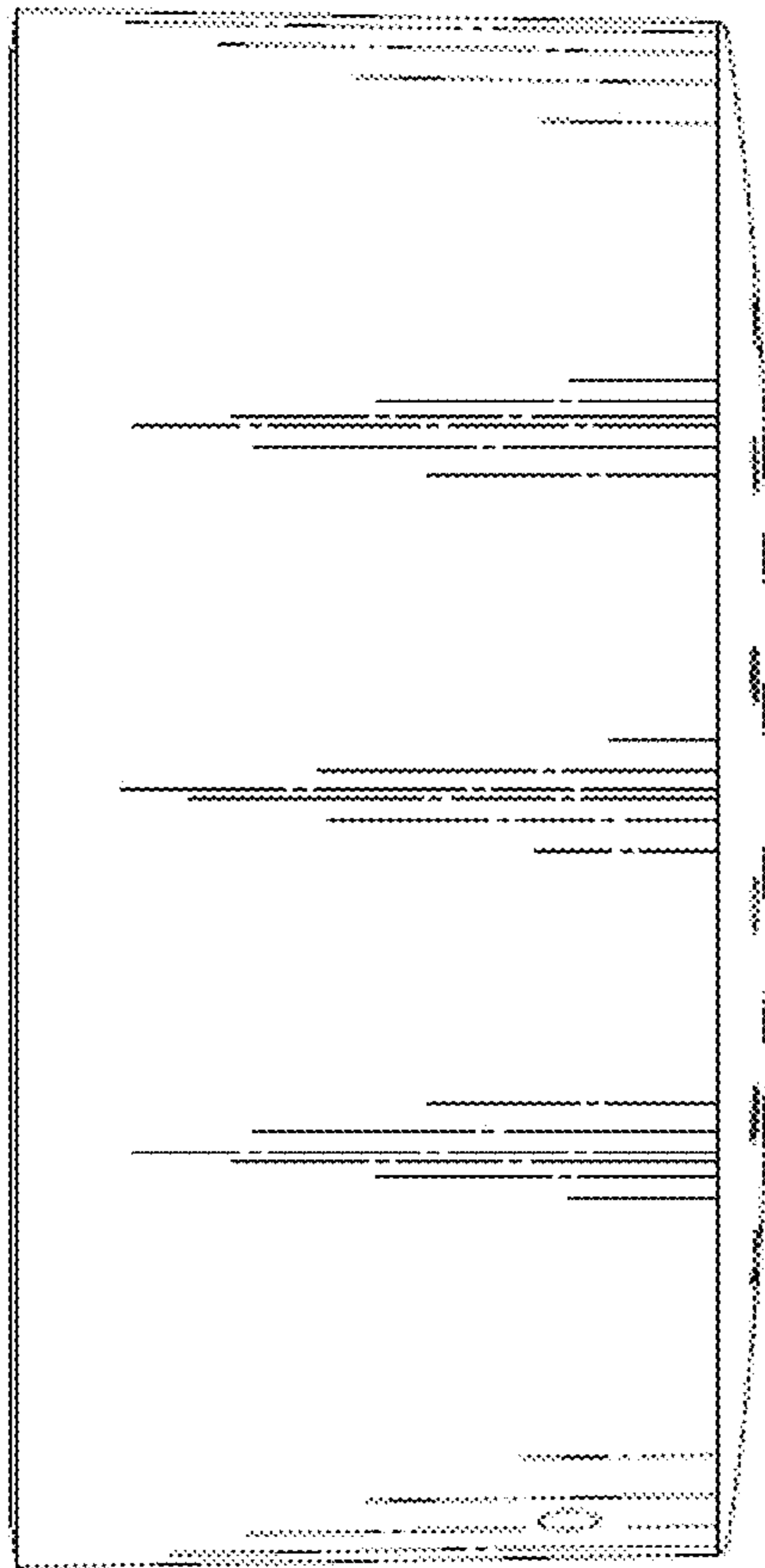


FIG. 4

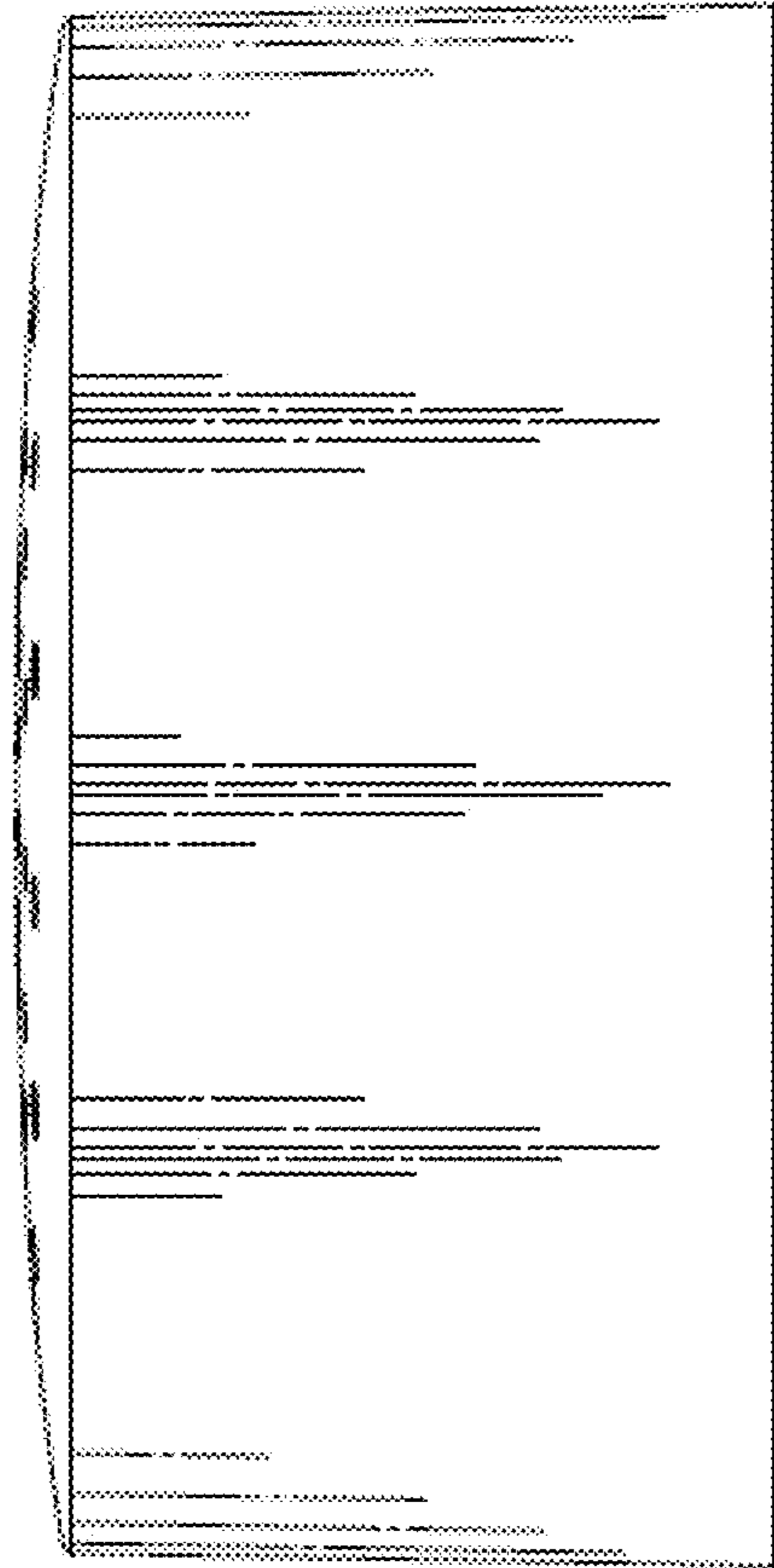


FIG. 5

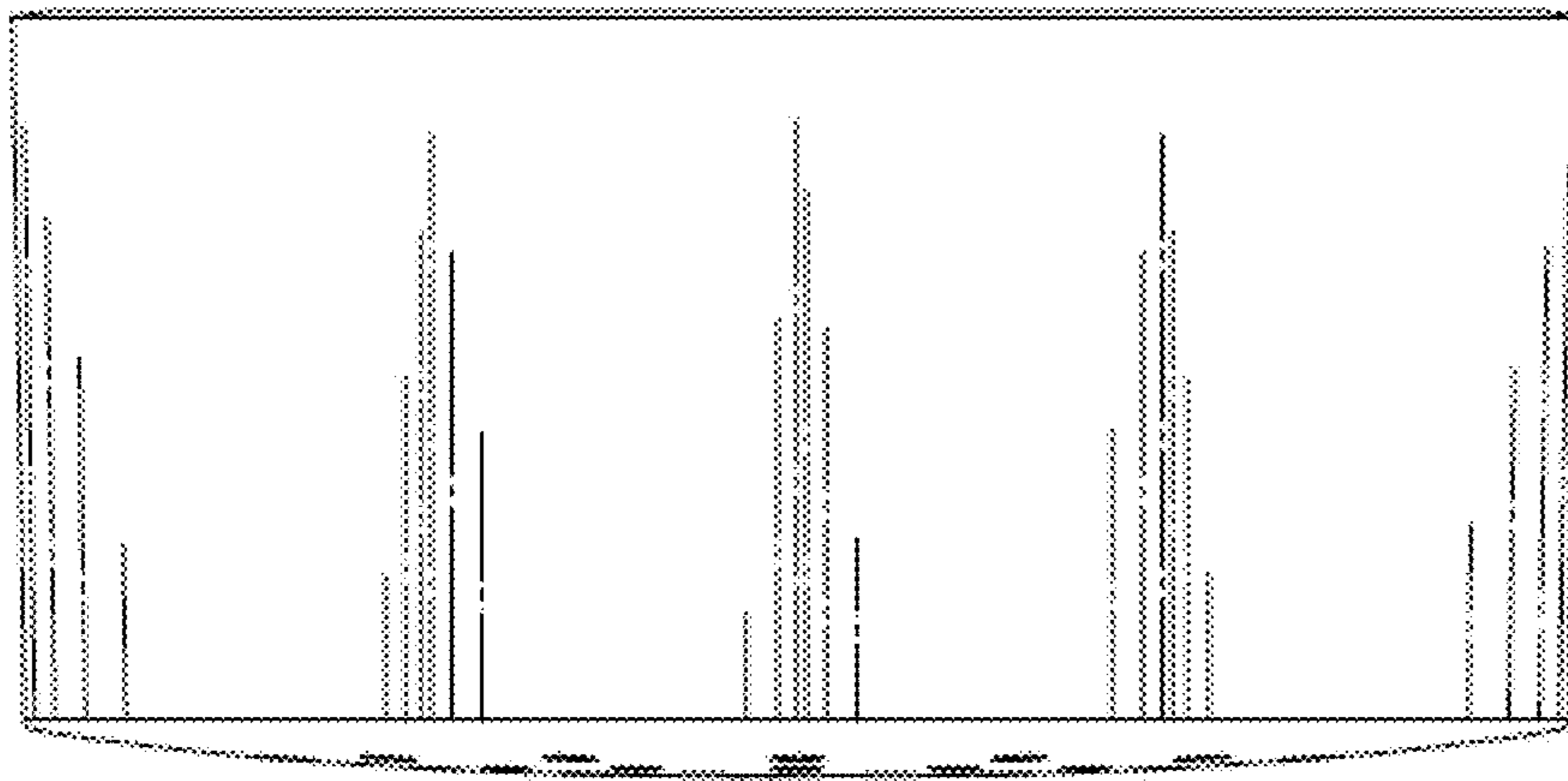


FIG. 6

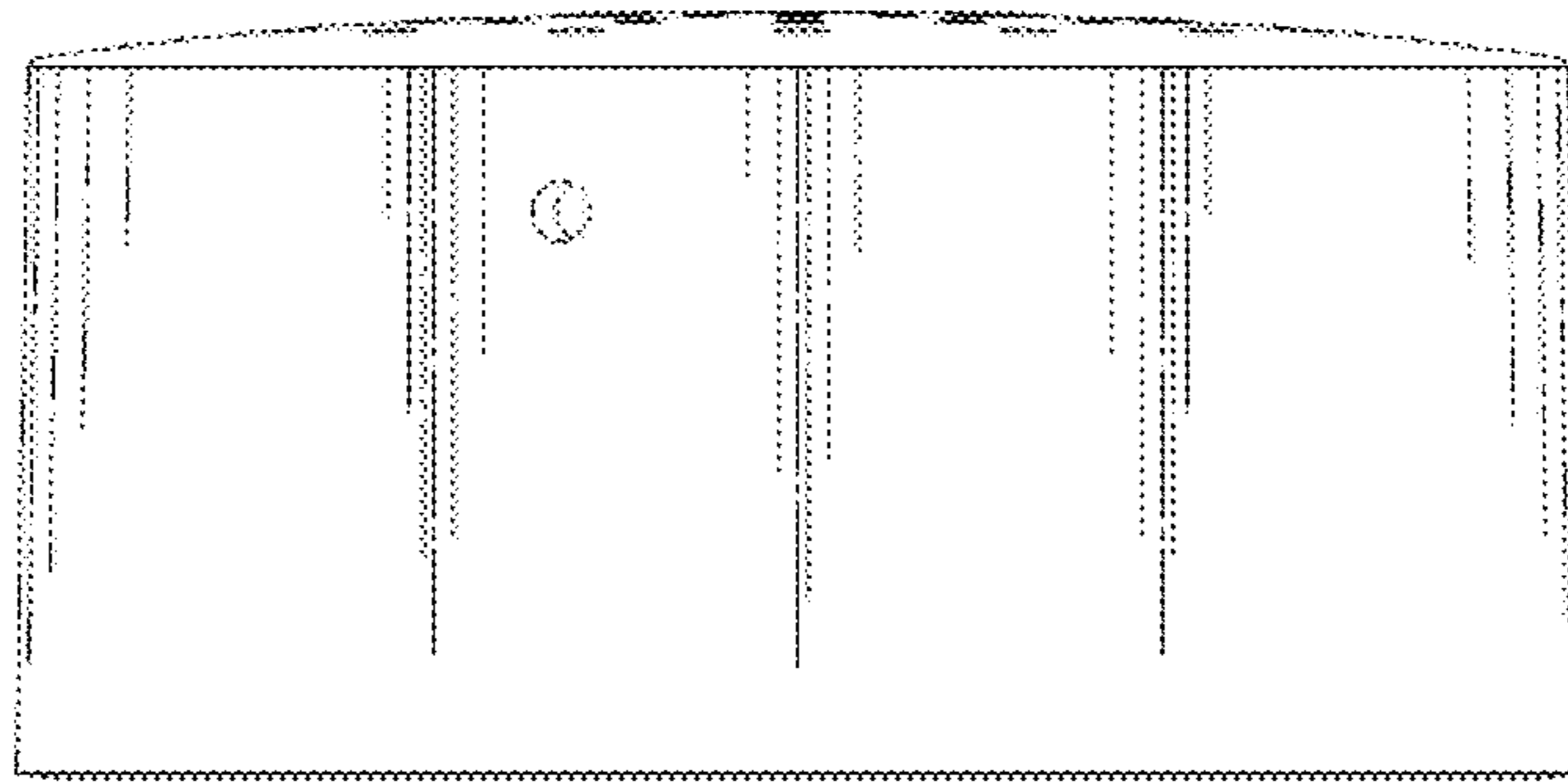


FIG. 7