



US00D803068S

(12) **United States Design Patent** (10) **Patent No.:** **US D803,068 S**
Ziemann et al. (45) **Date of Patent:** **** Nov. 21, 2017**

(54) SOAP DISPENSER	4,330,072 A *	5/1982 Mastman	A47K 5/122 222/209
(71) Applicant: BLANCO GmbH + Co KG, Oberderdingen (DE)	5,016,783 A *	5/1991 Hayes	B05B 11/0032 222/153.13
(72) Inventors: Brigitte Ziemann, Eppingen (DE); Oliver Kuch, Oberderdingen (DE)	5,287,996 A *	2/1994 Uhlig	A47K 5/12 222/173
(73) Assignee: BLANCO GmbH + Co KG, Oberderdingen (DE)	D349,649 S *	8/1994 Hanna	D6/542
(**) Term: 15 Years	5,427,284 A *	6/1995 Inch	A47K 5/12 222/321.3
(21) Appl. No.: 29/534,254	D438,041 S *	2/2001 Huang	D6/542
(22) Filed: Jul. 27, 2015	D484,401 S *	12/2003 Dretzka	D6/542
(51) LOC (10) Cl.	D495,032 S *	8/2004 Dretzka	D23/238
(52) U.S. Cl.	D537,361 S *	2/2007 Dretzka	D6/542
(58) Field of Classification Search	D563,703 S *	3/2008 Duncan	D6/542
USPC	2004/0164093 A1 *	8/2004 Redman	A47K 5/1205 222/95

* cited by examiner

Primary Examiner — Catherine A Tuttle
(74) *Attorney, Agent, or Firm* — Hanley, Flight and
Zimmerman, LLC

(51) **LOC (10) Cl.** **09-01**
(52) **U.S. Cl.**
USPC **D9/691**; D9/689; D6/542
(58) **Field of Classification Search**
USPC D9/682-694, 719, 723-725, 516, 517,
D9/549-558, 435-454; D28/76, 77, 88,
D28/91.1; D6/542; D7/300, 307, 308,
D7/313, 315, 590, 598, 397, 398, 401.1;
D23/223-226, 231, 238-248, 255
CPC B05B 11/0037; B05B 11/3045; B05B
11/3046; B05B 11/3047; B05B 11/3049;
B05B 11/3001-11/3043; B05B 11/3052;
B05B 11/3059; B05B 11/306; B65D
83/14; B65D 83/20; B65D 83/205; B65D
83/206; B65D 83/207; B65D 83/30;
B65D 83/38; B65D 83/384; B65D 83/40;
A47K 2005/1218; A47K 5/12-5/18
See application file for complete search history.

(57) **CLAIM**

The ornamental design for a “soap dispenser,” as shown and described.

DESCRIPTION

FIG. 1 is a perspective view of the soap dispenser.
FIG. 2 is a front view of the soap dispenser of FIG. 1.
FIG. 3 is a rear view the soap dispenser of FIG. 1.
FIG. 4 is a top plan of the soap dispenser of FIG. 1.
FIG. 5 is a bottom view of the soap dispenser of FIG. 1.
FIG. 6 is a right side view of the soap dispenser of FIG. 1;
and,
FIG. 7 is a left side view of the soap dispenser of FIG. 1.

1 Claim, 7 Drawing Sheets

(56) **References Cited**
U.S. PATENT DOCUMENTS
D193,037 S * 6/1962 Harnage D9/448
4,315,582 A * 2/1982 Micallef B05B 11/3001
222/148

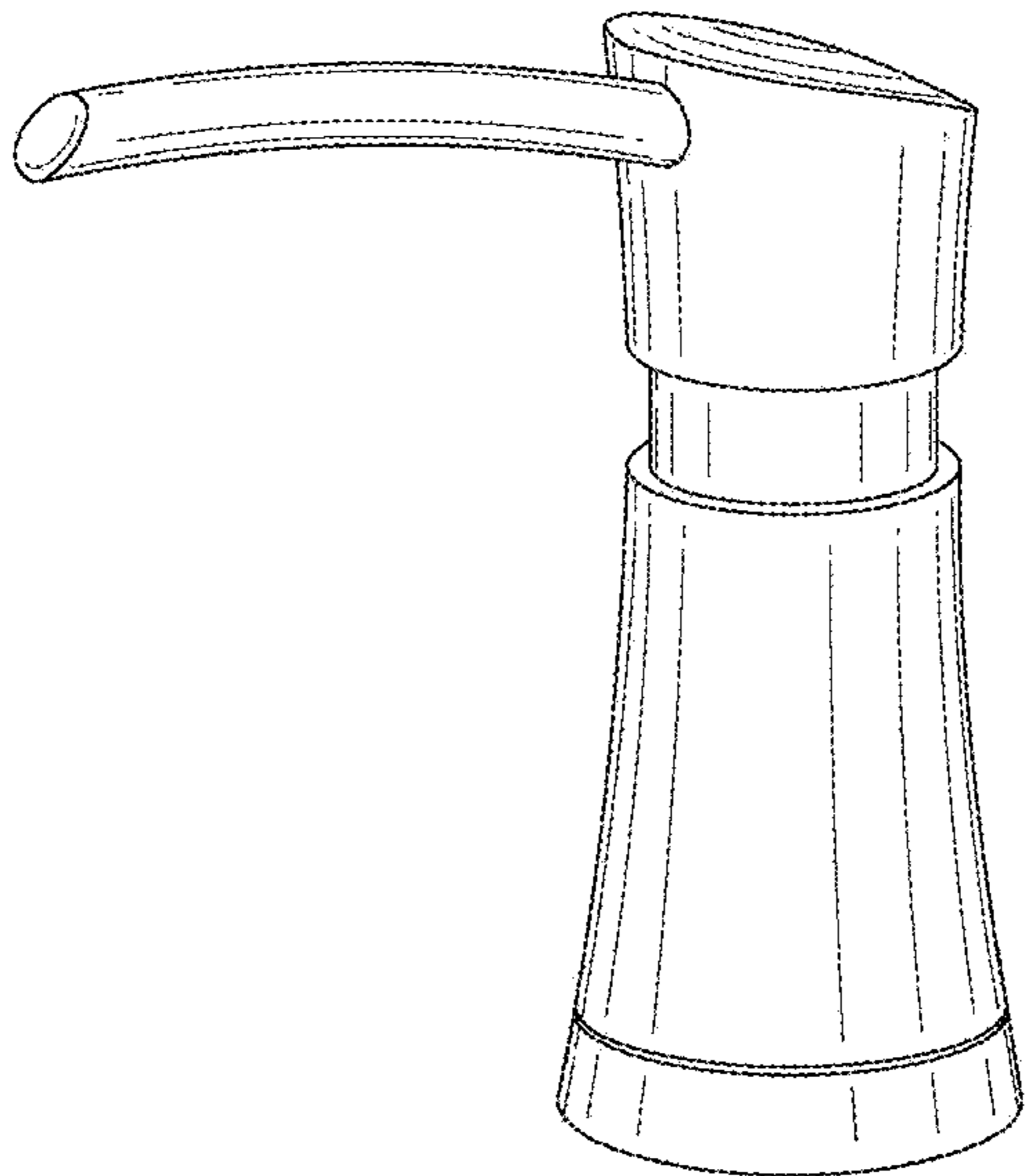


FIG.1

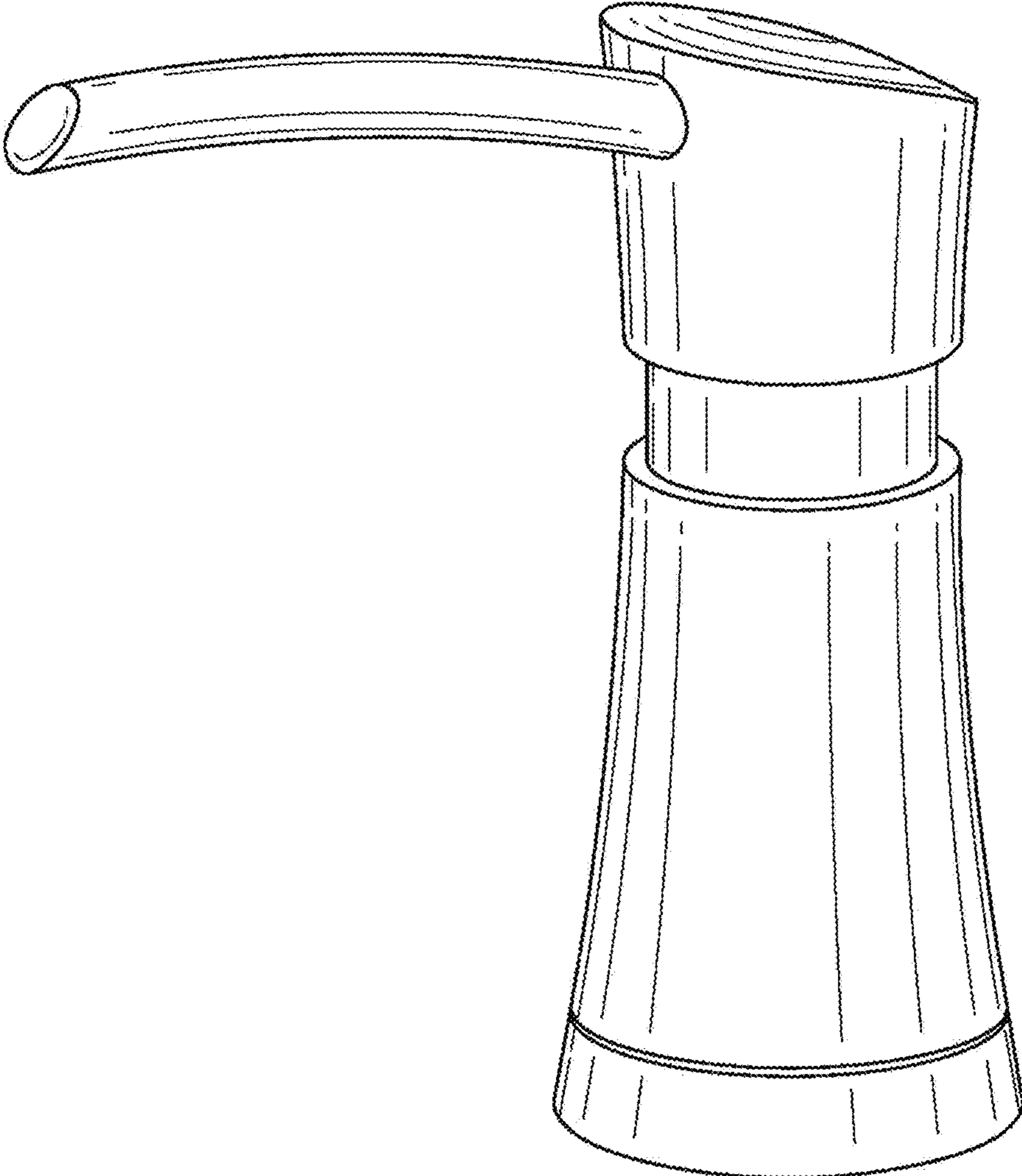


FIG.2

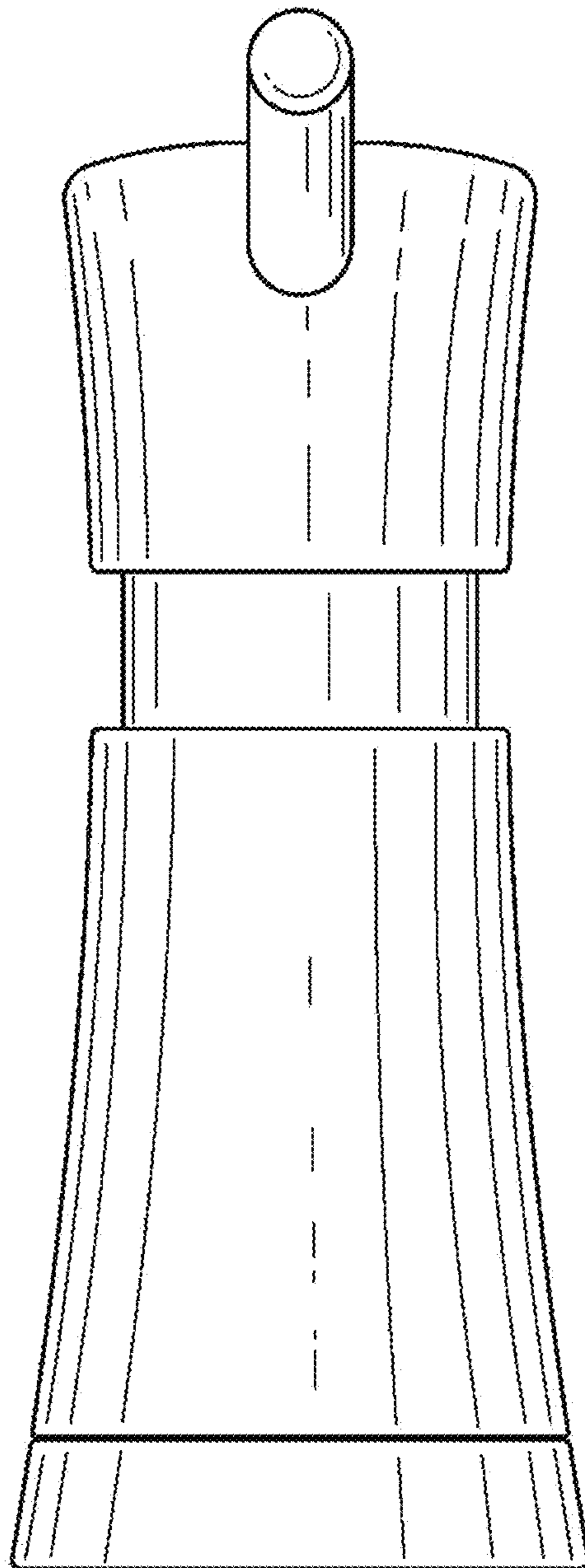


FIG.3

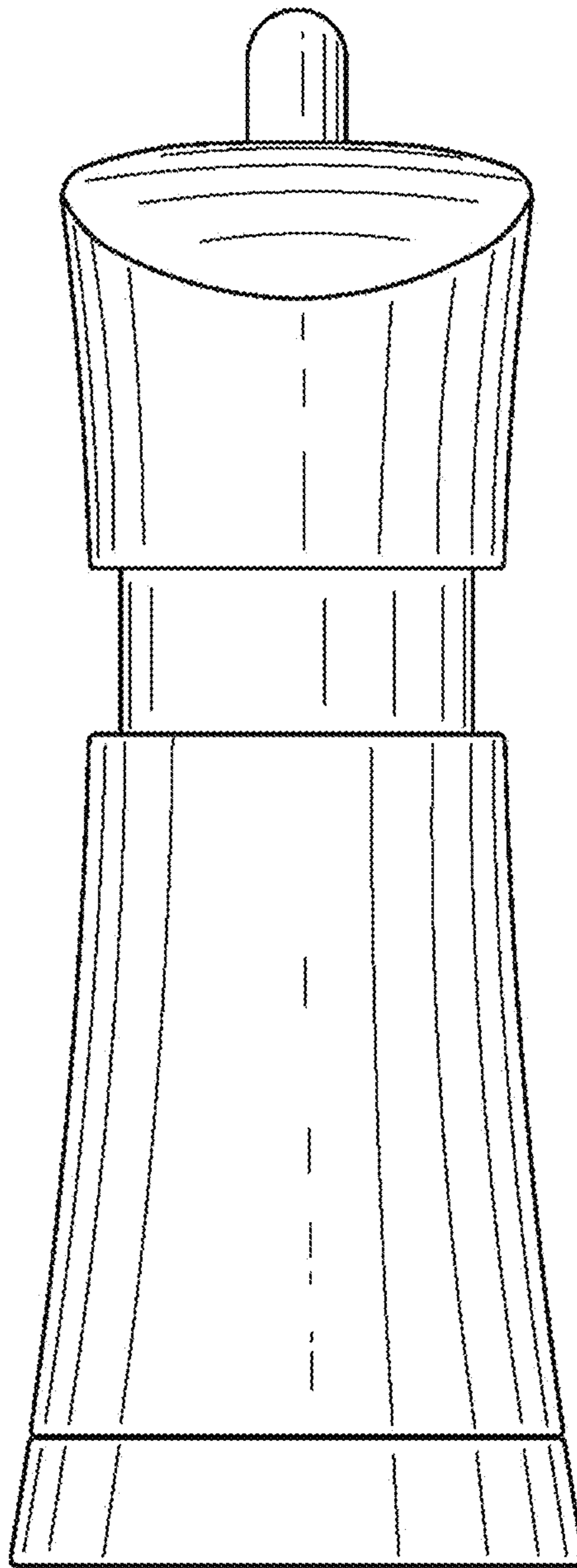


FIG.4

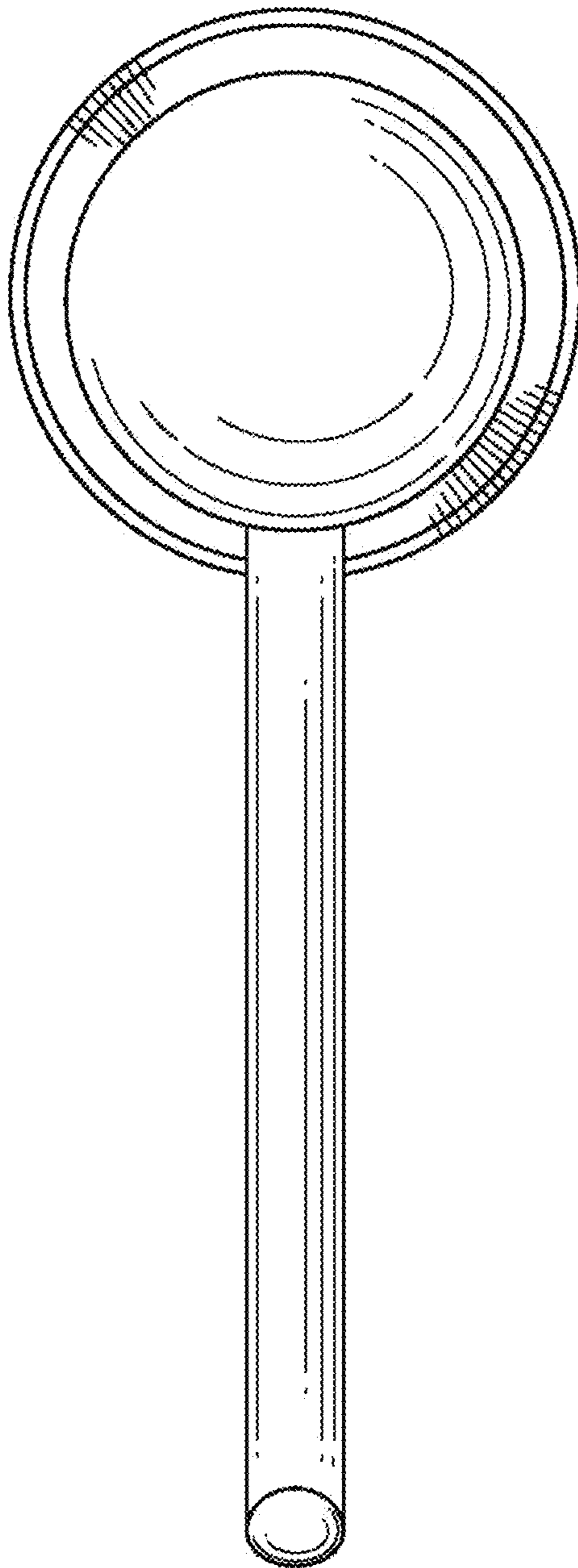


FIG.5

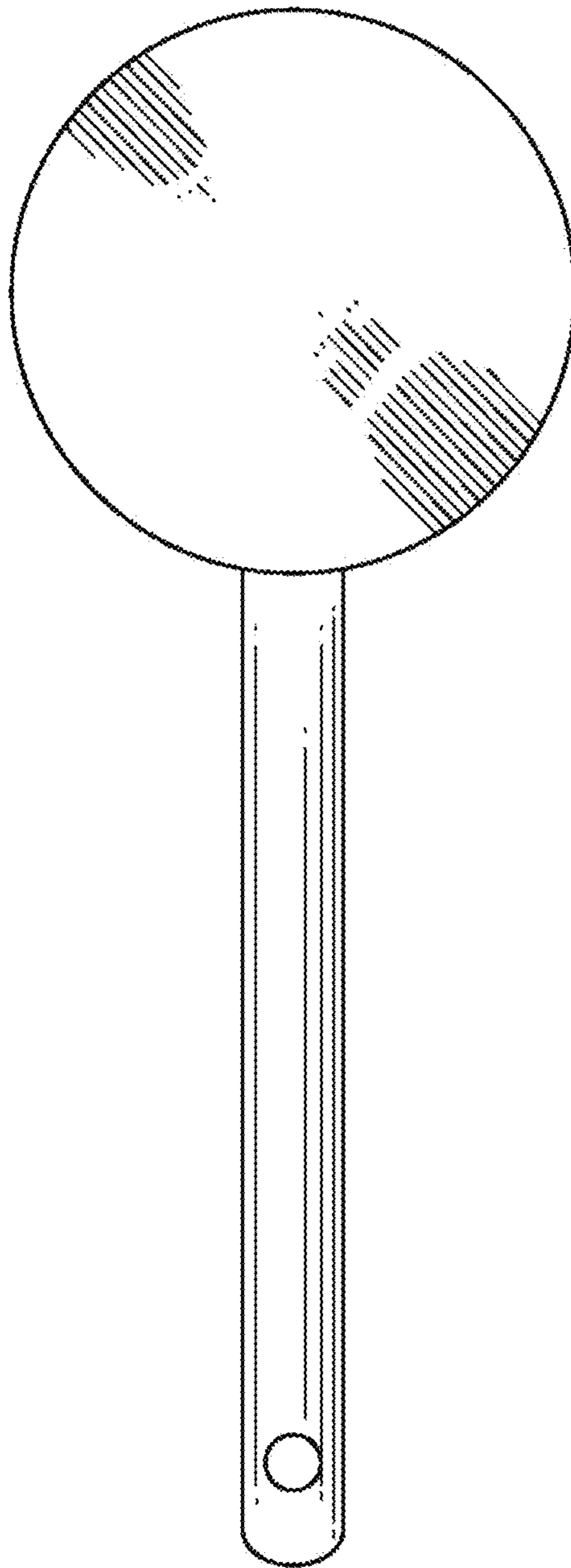


FIG.6

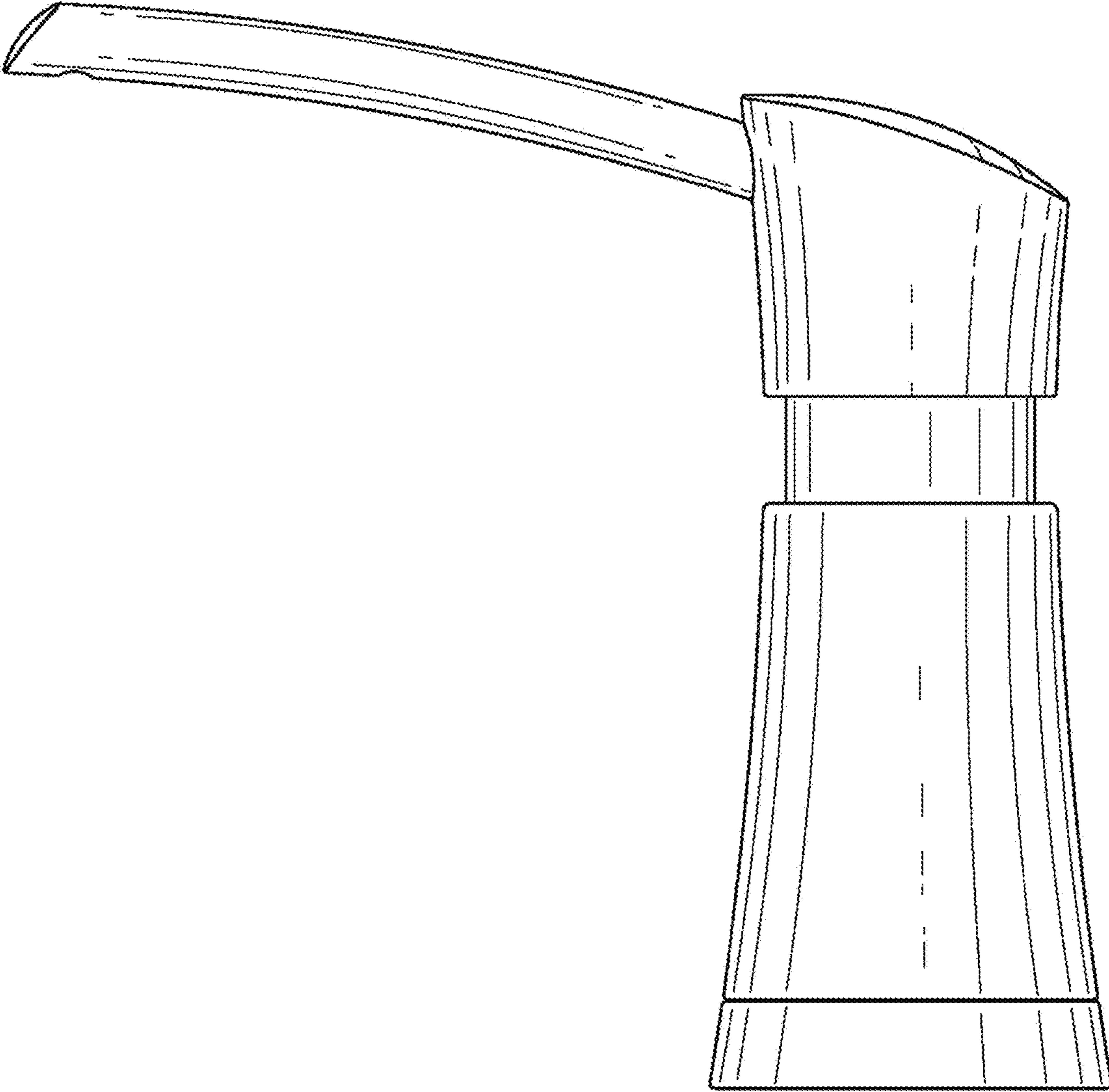


FIG.7

