



US00D803064S

(12) **United States Design Patent** (10) **Patent No.:** **US D803,064 S**
Marina et al. (45) **Date of Patent:** **** Nov. 21, 2017**

(54) **BOTTLE**

(71) Applicant: **PepsiCo, Inc.**, Purchase, NY (US)

(72) Inventors: **Carlos Hernan Marina**, Deerfield Beach, FL (US); **Dario Federico Stanziano**, Bueno Aires (AR); **Hernán Javier Giorgi**, Buenos Aires (AR); **Tomás Águila**, Buenos Aires (AR)

(73) Assignee: **PepsiCo, Inc.**, Purchase, NY (US)

(**) Term: **15 Years**

(21) Appl. No.: **29/567,996**

(22) Filed: **Jun. 14, 2016**

(51) **LOC (10) Cl.** **09-03**

(52) **U.S. Cl.**

USPC **D9/537**; D7/511

(58) **Field of Classification Search**

USPC D9/500, 502, 516, 530, 537, 539, 542, D9/549, 551, 438, 454, 446, 520, D9/763-783, 745, 743, 744, 601, 531, D9/503, 504, 434, 435, 447, 643, 645, D9/647, 428; 215/381-385; 220/660, 220/669, 675; D7/601, 602, 612, 615, D7/645, 646, 536, 511, 510, 509, 507; D27/172, 187, 189, 193, 183, 186; D23/211.1, 211.2, 211

CPC ... B65D 1/00; B65D 1/02; B65D 1/12; B65D 1/14; B65D 1/40; B65D 1/44; B65D 1/023; B65D 1/0223; B65D 1/165; B65D 1/238; B65D 1/246; B65D 1/253; B65D 21/0209; B65D 21/0233; B65D 25/00; B65D 25/28; B65D 41/0457; B65D 41/17; B65D 53/06; B65D 75/56; B65D 79/005; B65D 2501/0036; B65D 2543/00064; B65D 2543/00074; B65D 2543/00083; B65D 2543/00092; B65D 2543/00101; B65D 2543/00111; D65D 7/04

See application file for complete search history.

(56) **References Cited**

U.S. PATENT DOCUMENTS

D85,279 S	10/1931	Brooke
2,073,636 A	3/1937	Holoubek
2,930,408 A	3/1960	Stevens
3,369,691 A	2/1968	Wei
D217,899 S	6/1970	Lawton
D232,915 S	9/1974	Becker
4,346,495 A	8/1982	Lin
D278,033 S	3/1985	Borkan et al.
D313,176 S	12/1990	Okuda et al.
D316,035 S	4/1991	Pepitone
D350,460 S	9/1994	Picozza et al.

(Continued)

FOREIGN PATENT DOCUMENTS

WO WO 2013103589 A1 7/2013

Primary Examiner — Keli L Hill

Assistant Examiner — Karra S Johnson

(74) *Attorney, Agent, or Firm* — Sterne, Kessler, Goldstein & Fox P.L.L.C.

(57) **CLAIM**

The ornamental design for a bottle, as shown and described.

DESCRIPTION

FIG. 1 is a top front perspective view of a bottle showing the claimed design;

FIG. 2 is a bottom front perspective view thereof;

FIG. 3 is a front view thereof;

FIG. 4 is a rear view thereof;

FIG. 5 is a left side view thereof;

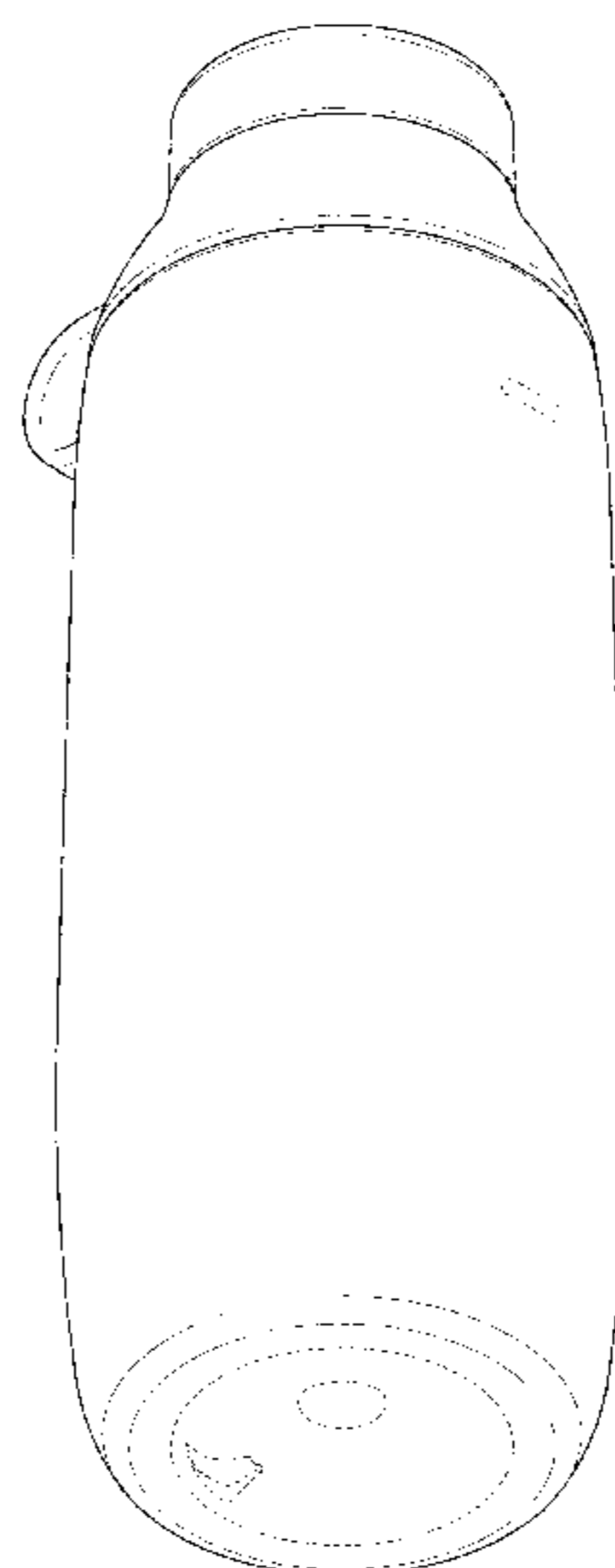
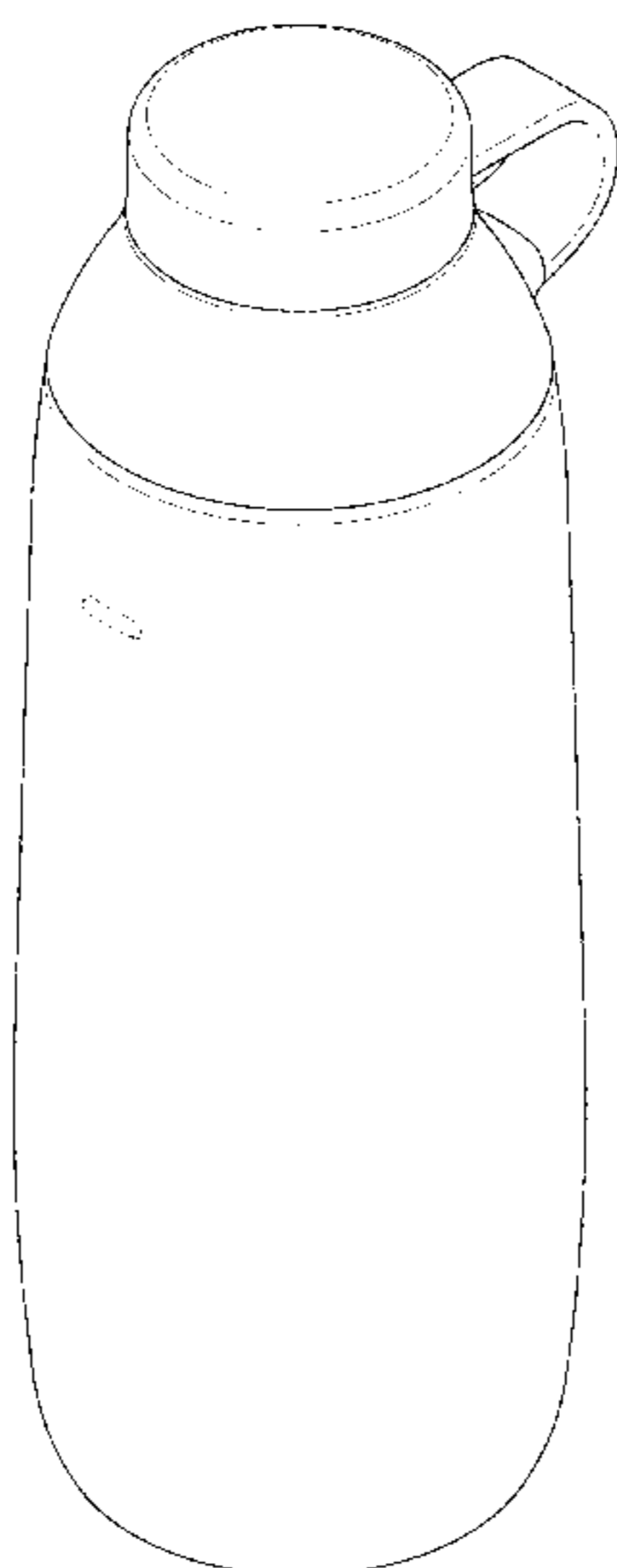
FIG. 6 is a right side view thereof;

FIG. 7 is a top view thereof; and,

FIG. 8 is a bottom view thereof.

The broken lines in the figures show portions of the bottle that form no part of the claimed design.

1 Claim, 7 Drawing Sheets



(56)

References Cited

U.S. PATENT DOCUMENTS

5,385,326 A 1/1995 Bidwell
D364,810 S * 12/1995 Meisner D9/446
5,573,152 A 11/1996 Arnold
D377,435 S * 1/1997 Dettmar D7/300
5,626,250 A 5/1997 Dorazio
5,671,586 A 9/1997 Weder
5,711,445 A 1/1998 Robbins, III
D407,946 S 4/1999 Brewer et al.
D410,364 S 6/1999 Ramirez et al.
D414,238 S 9/1999 Kupperman
6,105,799 A 8/2000 Takagawa
6,142,366 A 11/2000 Sagel
6,405,675 B1 6/2002 Mills
6,409,035 B1 6/2002 Oarr et al.
6,460,759 B1 10/2002 Lowry et al.
D470,050 S 2/2003 Renz et al.
D481,937 S 11/2003 McRae
D501,362 S * 2/2005 Gauss D7/509
D510,270 S * 10/2005 Khalifa D9/503
D512,874 S * 12/2005 Poulson D7/510
D516,915 S 3/2006 Gaines
D517,869 S * 3/2006 Graves D7/300.1
D528,862 S 9/2006 Li
D528,921 S * 9/2006 Leoncavallo D7/511
D529,338 S 10/2006 Poulson et al.
D532,305 S 11/2006 Fellows et al.
D536,582 S 2/2007 Roth et al.
D536,929 S * 2/2007 Kingsley D7/510
D537,676 S 3/2007 Kingsley
D539,136 S 3/2007 Limber
D554,000 S * 10/2007 Walsh B65D 1/0207
D9/772
D565,353 S 4/2008 Roth et al.
D579,272 S * 10/2008 Pickering D7/510
D581,278 S 11/2008 Shibata et al.
D594,332 S 6/2009 Nerubay
D596,458 S 7/2009 McKinney
D600,973 S 9/2009 Lane
D609,969 S * 2/2010 McKinney D7/510
D622,835 S 8/2010 Mendheim
D626,415 S 11/2010 Kolano
D629,693 S 12/2010 Rica
D650,677 S 12/2011 Wurster et al.
D660,082 S * 5/2012 Wahl D7/510
D661,549 S 6/2012 Kemper et al.

D661,551 S 6/2012 Gilbert
D668,150 S 10/2012 Crapser et al.
D676,717 S 2/2013 Ceder
8,365,913 B2 2/2013 Ceder
8,365,941 B2 2/2013 Mayer
D680,805 S * 4/2013 Rosbach D7/392.1
D684,065 S 6/2013 Wiseman
D688,531 S 8/2013 Ceder
D689,375 S 9/2013 Garner
8,544,676 B2 10/2013 Roth et al.
8,579,149 B2 11/2013 Henke et al.
8,584,879 B2 11/2013 Melrose et al.
D697,431 S 1/2014 Baker et al.
D703,000 S 4/2014 Marina et al.
D703,487 S 4/2014 Marina et al.
8,752,720 B1 6/2014 Habig et al.
D709,387 S 7/2014 Marina et al.
D710,703 S 8/2014 Marina et al.
D712,268 S 9/2014 Marina et al.
8,899,644 B2 12/2014 Hancey
8,926,840 B2 1/2015 Hull et al.
D727,171 S 4/2015 Marina et al.
D730,729 S 6/2015 George
D754,999 S * 5/2016 Gamelli D7/300.1
D764,232 S 8/2016 Marina et al.
D769,043 S * 10/2016 Gamelli D7/300.1
D791,542 S * 7/2017 Miksovsky D7/510
D795,646 S * 8/2017 Sorensen D7/511
2002/0027142 A1 3/2002 Klein
2004/0124192 A1 7/2004 Teller
2006/0124579 A1 6/2006 Nielson
2007/0084821 A1 4/2007 Bysick et al.
2007/0199914 A1 8/2007 Hung
2008/0061025 A1 3/2008 Egnatski
2008/0087624 A1 4/2008 Buckley
2008/0264896 A1 10/2008 Eveleth
2009/0178995 A1 * 7/2009 Tung B65D 1/0246
215/329
2010/0055252 A1 3/2010 Marina et al.
2011/0166910 A1 7/2011 Marina et al.
2012/0183657 A1 7/2012 Marina et al.
2013/0103589 A1 4/2013 Cragun et al.
2014/0130454 A1 5/2014 Kommer
2016/0376061 A1 * 12/2016 Shirley B65D 1/02
215/228
2017/0029156 A1 * 2/2017 Eguchi B65D 23/02

* cited by examiner

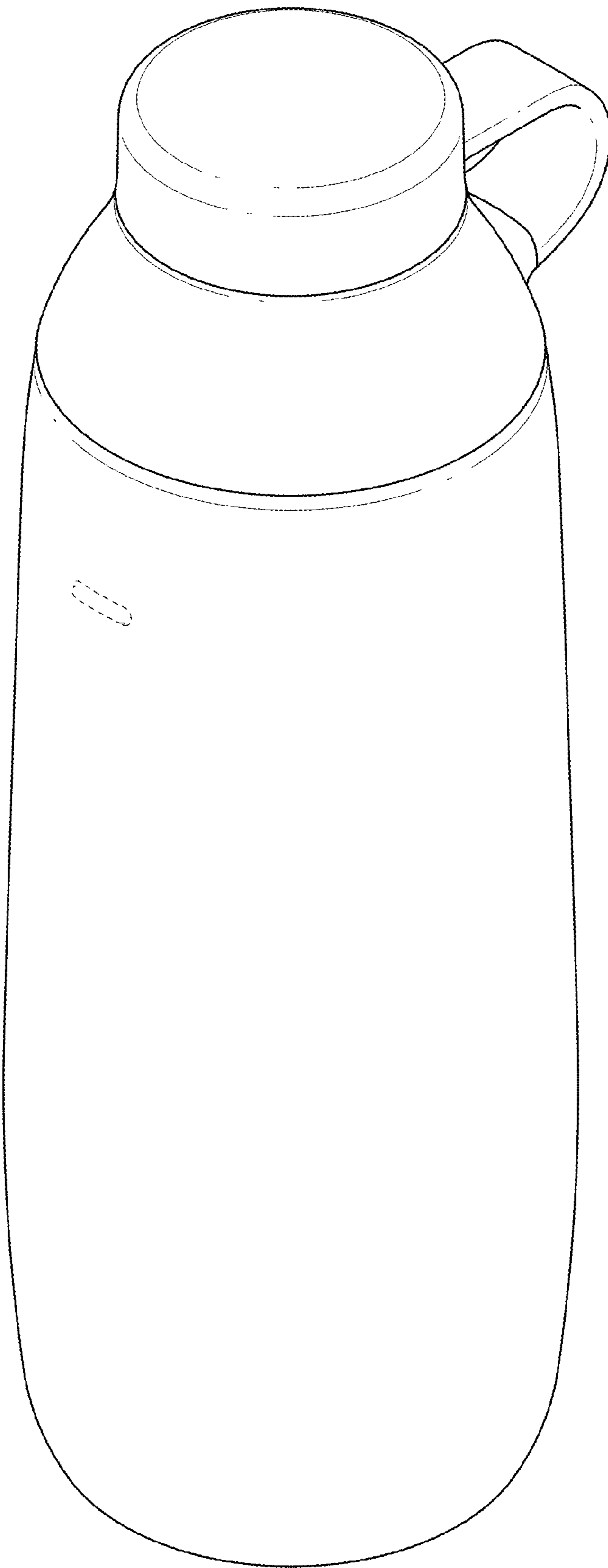


FIG. 1

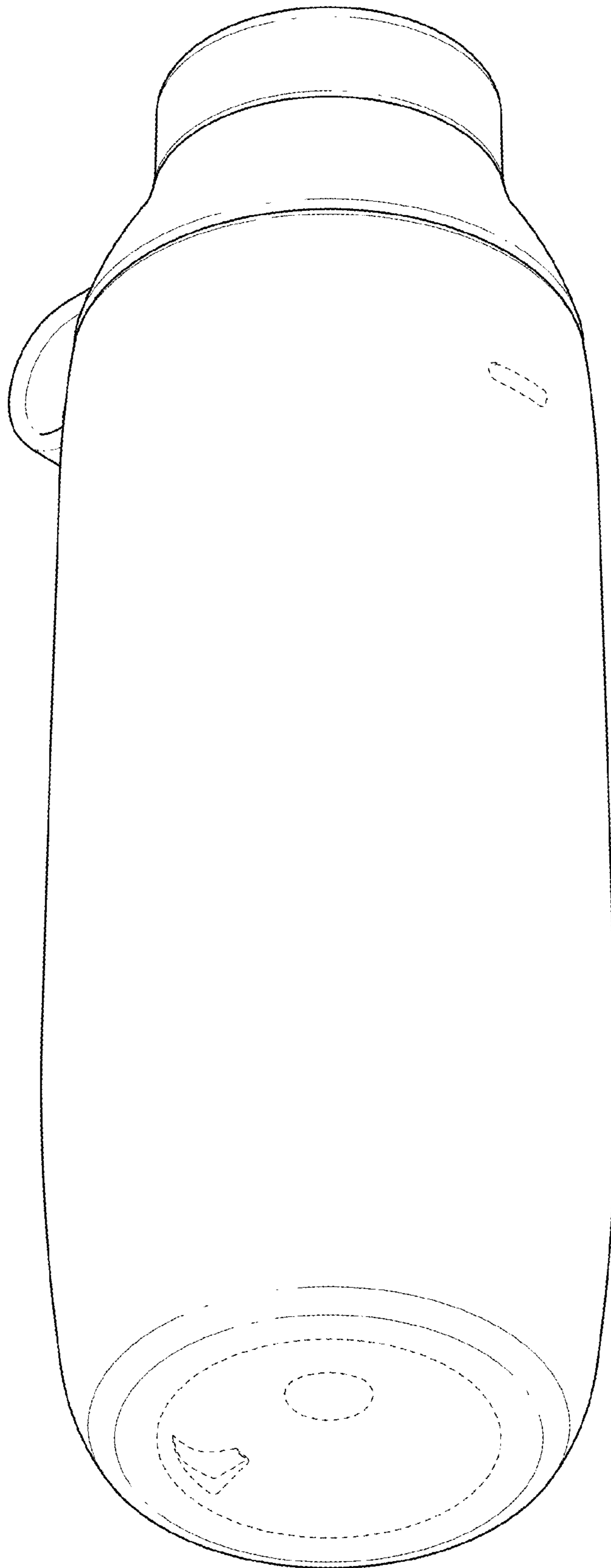


FIG. 2

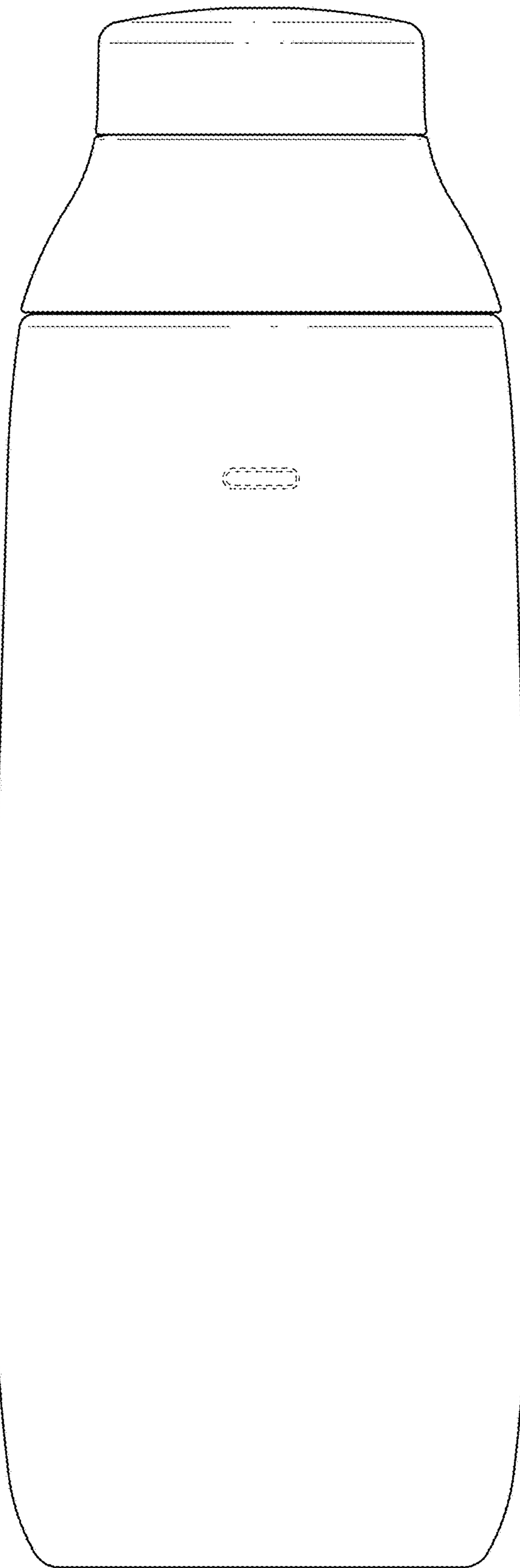


FIG. 3

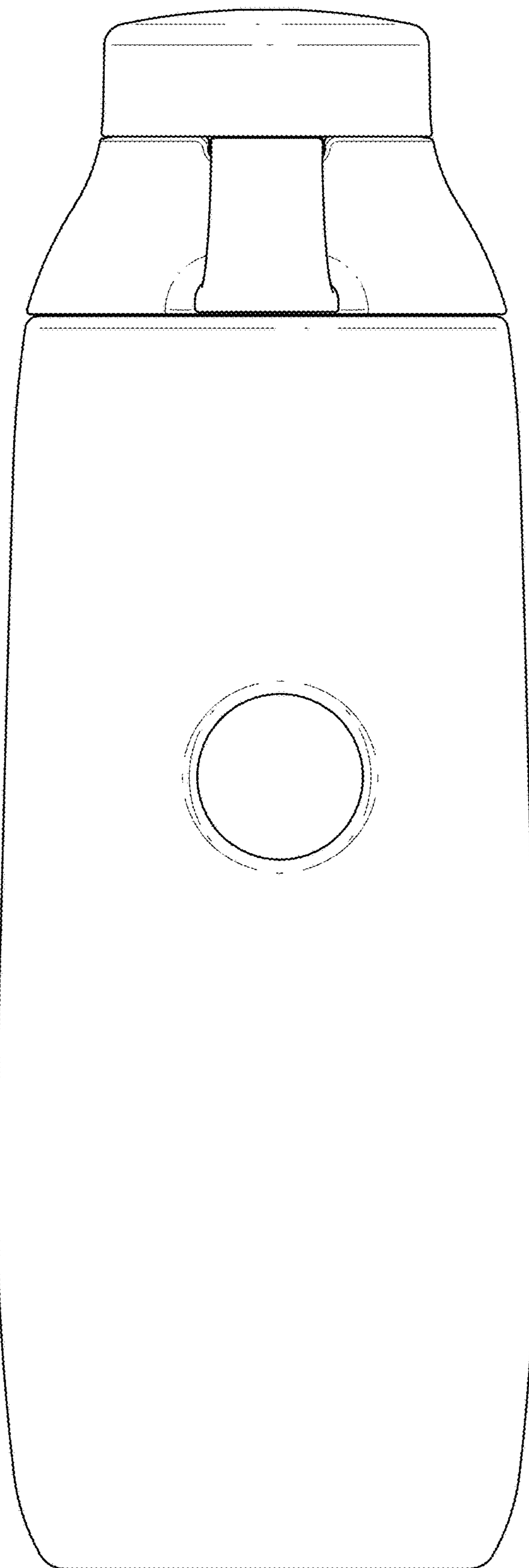


FIG. 4

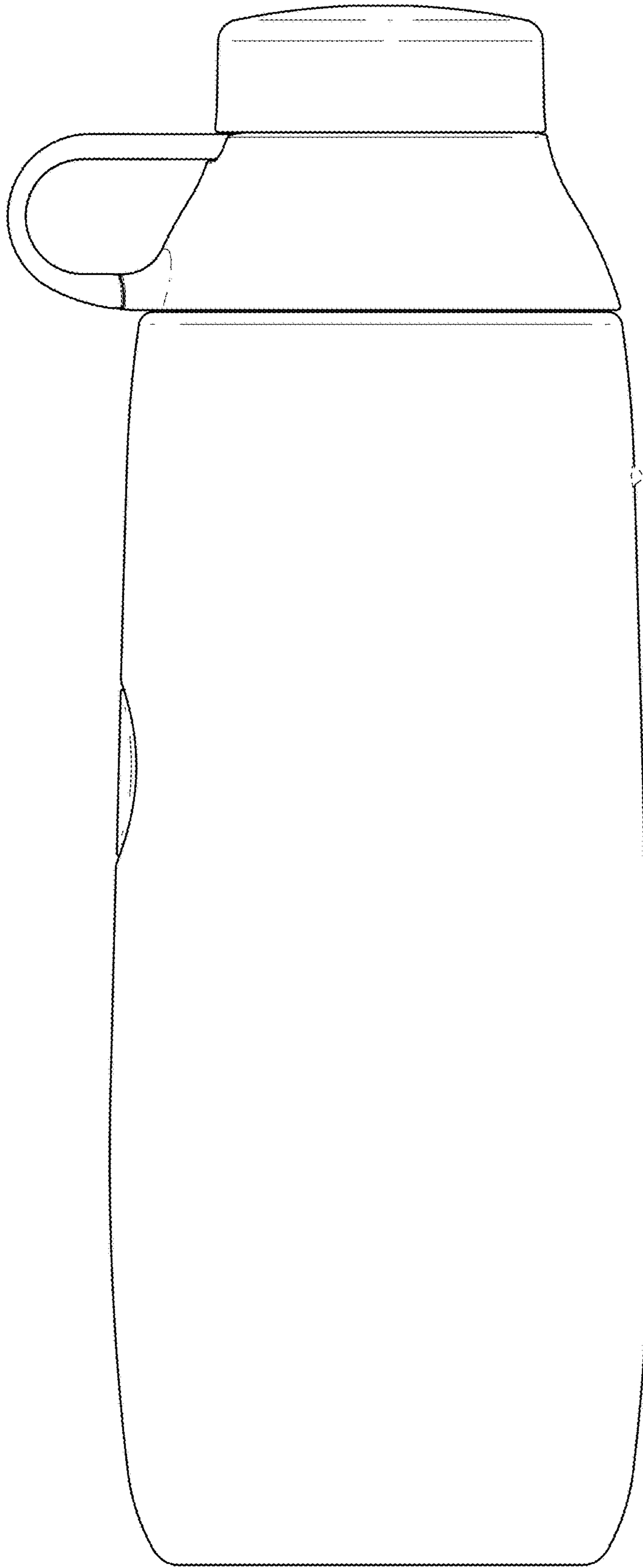


FIG. 5

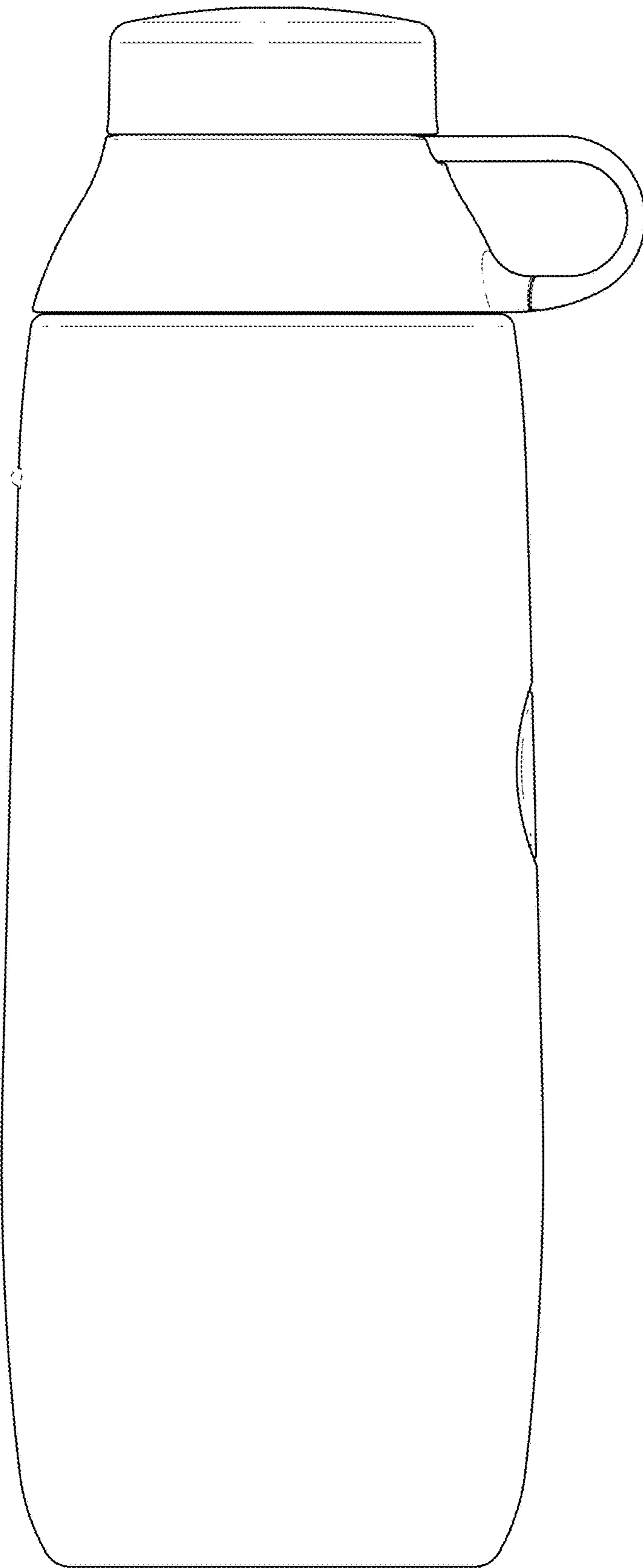


FIG. 6

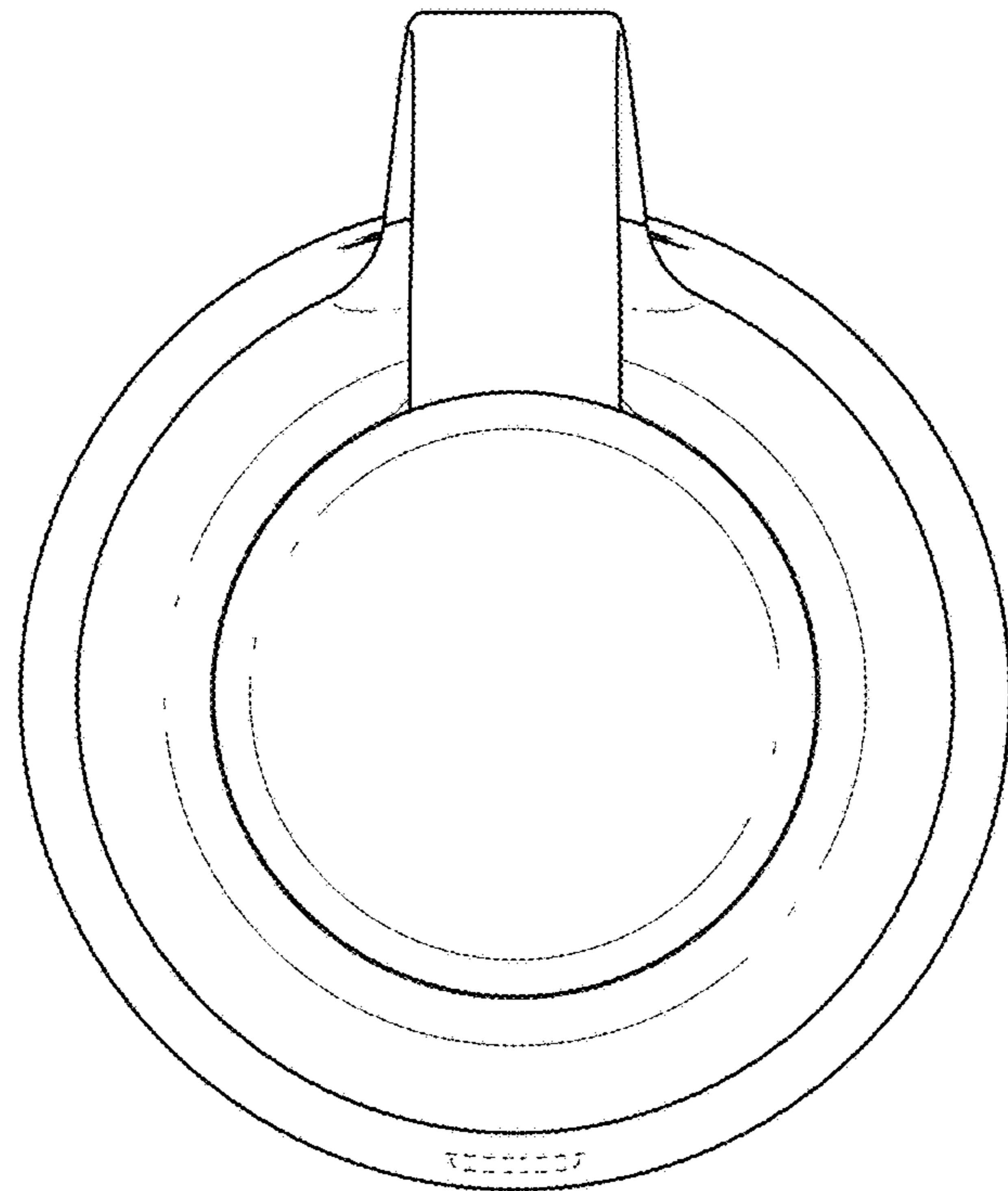


FIG. 7

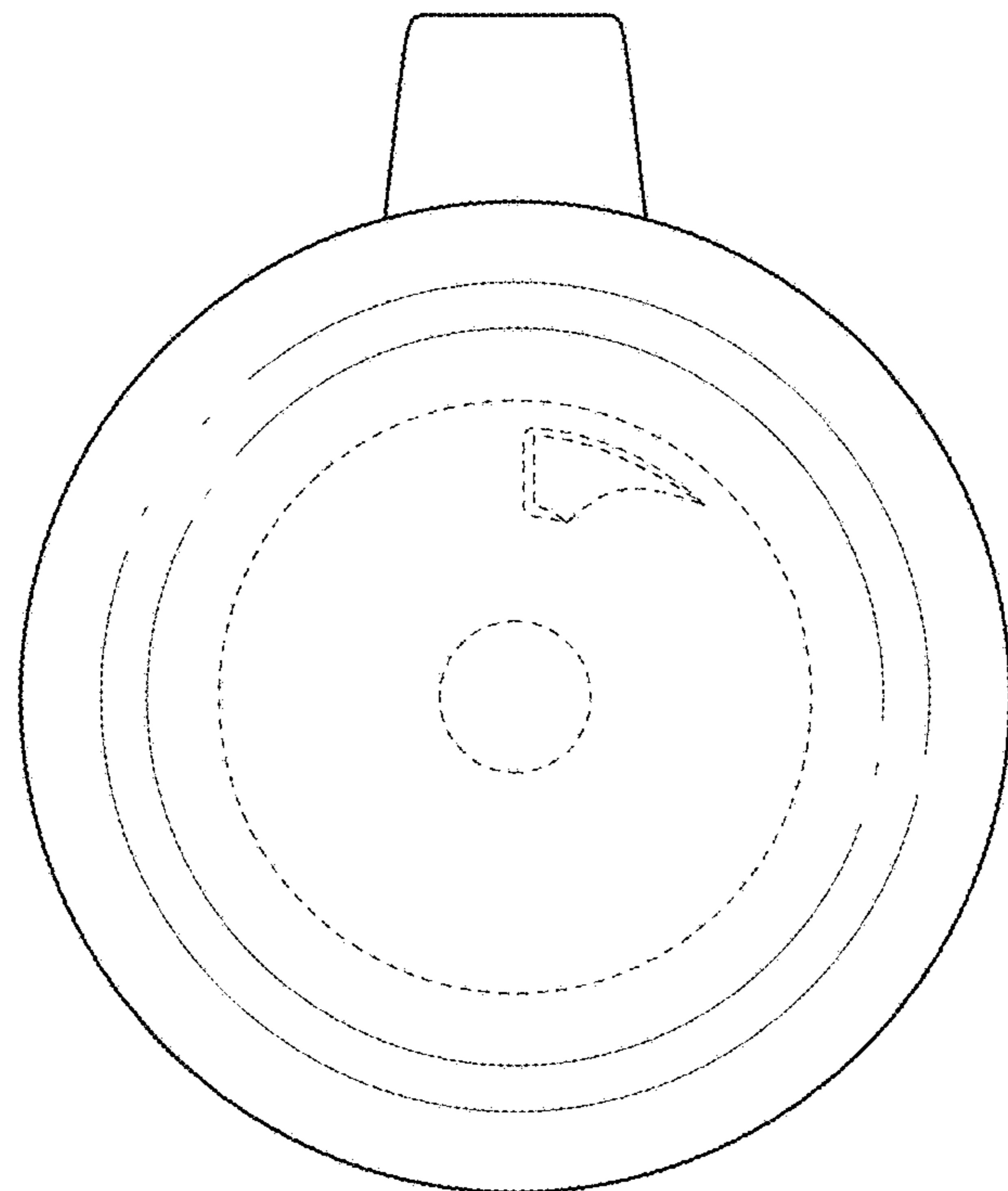


FIG. 8