



US00D803060S

(12) **United States Design Patent**
Marina et al.

(10) **Patent No.:** **US D803,060 S**

(45) **Date of Patent:** **** Nov. 21, 2017**

(54) **CONTAINER**

(71) Applicant: **PepsiCo, Inc.**, Purchase, NY (US)

(72) Inventors: **Carlos Hernan Marina**, Deerfield Beach, FL (US); **Tucker H. Fort**, Brooklyn, NY (US); **Joey Miguel Zeledon**, Brooklyn, NY (US); **Morris Elijah Worden, IV**, New York, NY (US)

(73) Assignee: **PepsiCo, Inc.**, Purchase, NY (US)

(**) Term: **15 Years**

(21) Appl. No.: **29/539,694**

(22) Filed: **Sep. 16, 2015**

(51) **LOC (10) Cl.** **09-01**

(52) **U.S. Cl.**
USPC **D9/504**

(58) **Field of Classification Search**
USPC D9/414, 424, 428, 434-435, 454, 500, D9/503-504, 516, 519, 529, 549, 558, D9/715; D7/400, 601-602, 608, 612, D7/615, 629-630; D26/6, 9-11, 22
CPC B65D 1/00; B65D 1/02; B65D 1/0223; B65D 23/00; B65D 81/00; B65D 2501/00; B65D 2501/0009

See application file for complete search history.

(56) **References Cited**

U.S. PATENT DOCUMENTS

D230,954 S *	3/1974	Gregoriotti	D9/504
D272,223 S *	1/1984	Daenen	D7/629
D372,194 S *	7/1996	Dallaire	D9/520
D405,003 S *	2/1999	Dapsanse	D9/504
D405,372 S *	2/1999	Yucknut	D9/504
D480,000 S *	9/2003	Hirato	D9/504
D540,170 S *	4/2007	Canamasas Puigbo	D9/504
D593,372 S *	6/2009	Carreno	D7/608

D610,009 S *	2/2010	Prufer	D9/504
D610,460 S *	2/2010	Nagata	D9/504
D612,245 S *	3/2010	Canamasas Puigbo	D9/519
D615,867 S *	5/2010	Sagaseki	D9/529
D627,650 S *	11/2010	Yeung	D28/9
D645,751 S *	9/2011	Baek	D9/504
D655,168 S *	3/2012	In	D9/504
D681,278 S *	4/2013	Schlatter	D28/82
D696,555 S *	12/2013	Kolano	D7/590
D697,800 S *	1/2014	Villarreal	D28/82
D699,578 S	2/2014	Marina et al.		
D701,767 S	4/2014	Marina et al.		
D703,487 S *	4/2014	Marina	D7/507

(Continued)

FOREIGN PATENT DOCUMENTS

DE	402010000802-0003	1/2010
FI	9918	9/1986

(Continued)

Primary Examiner — Dana L Meyrow

(74) *Attorney, Agent, or Firm* — Sterne, Kessler, Goldstein & Fox P.L.L.C.

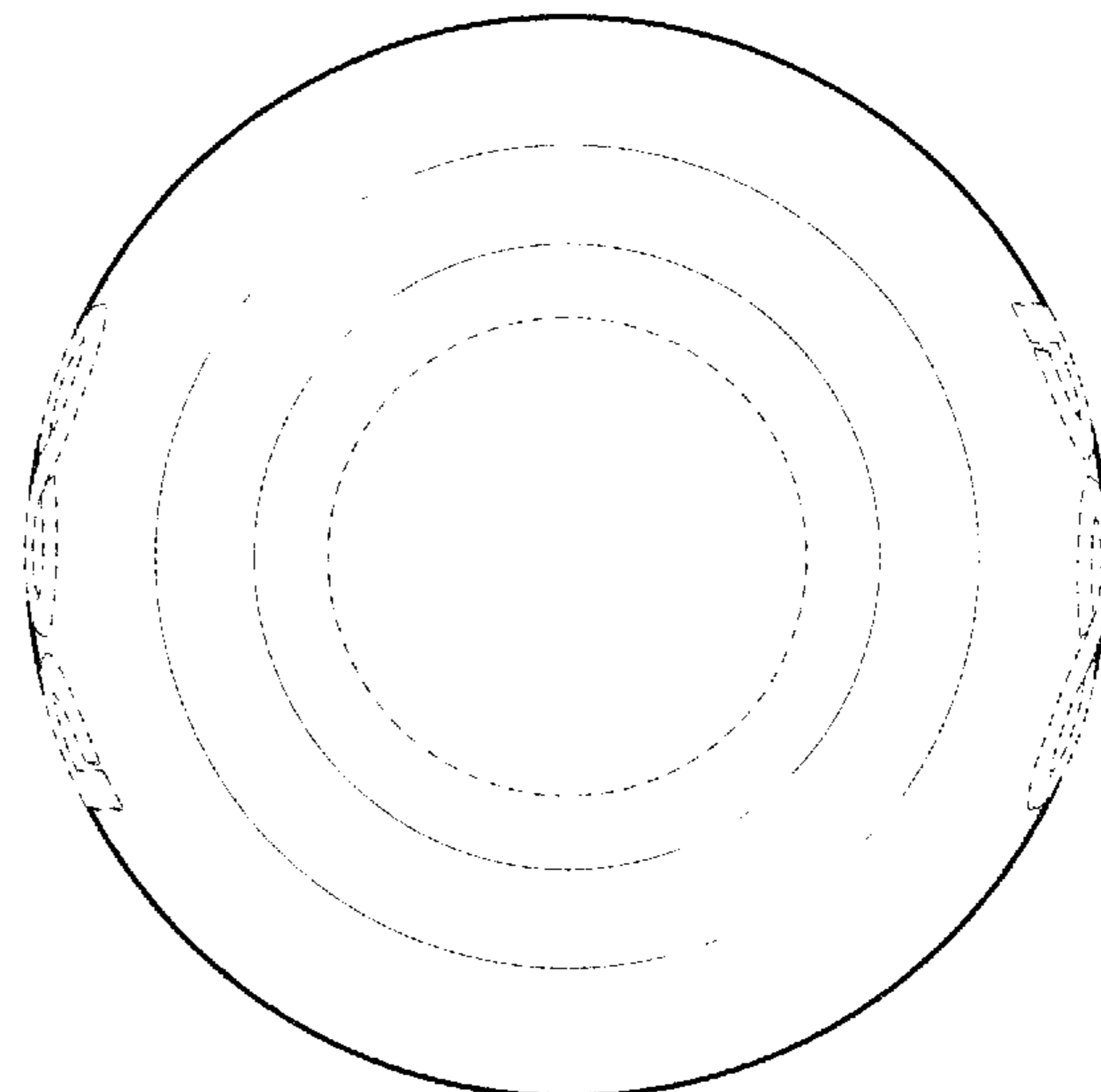
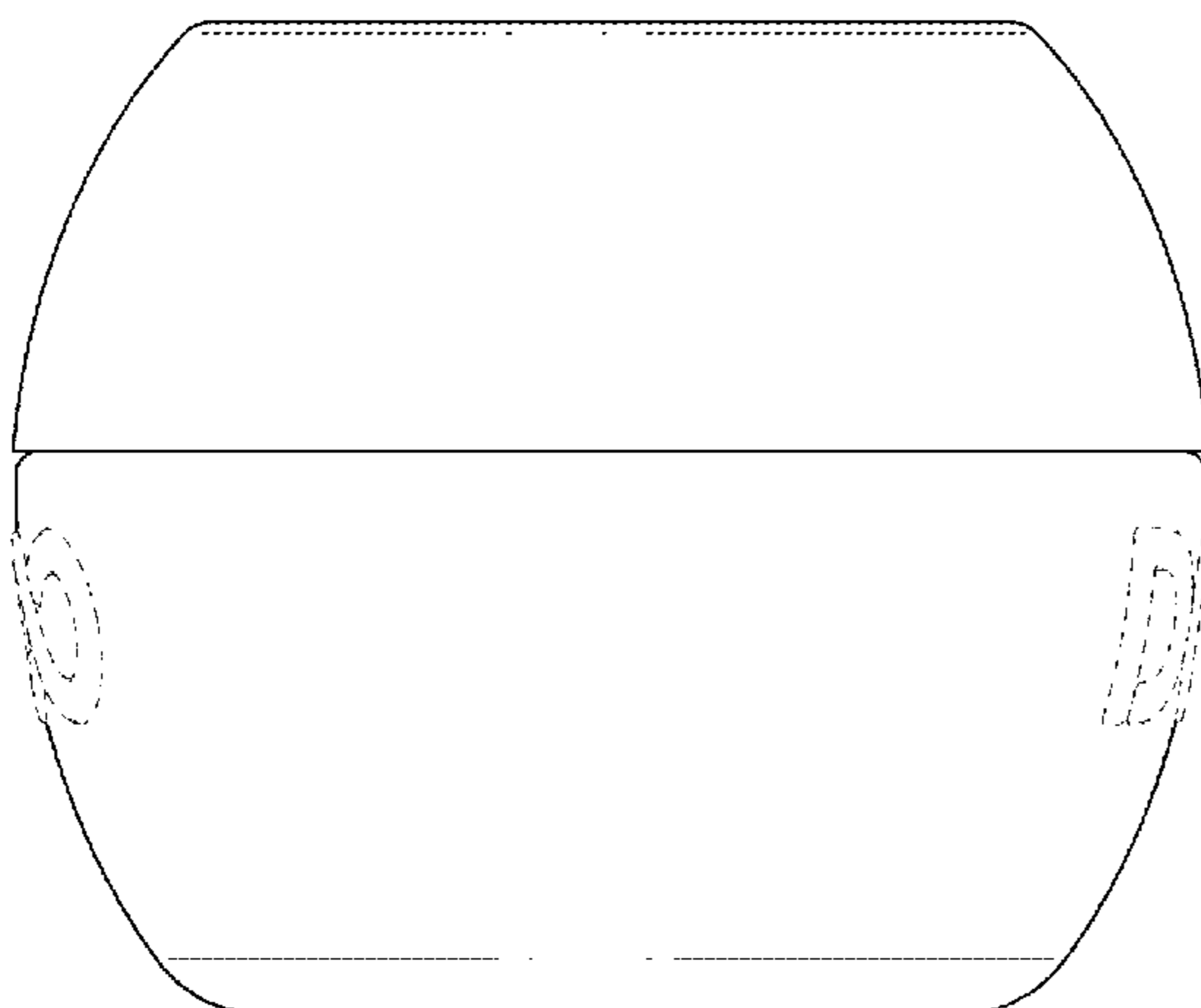
(57) **CLAIM**

The ornamental design for a container, as shown and described.

DESCRIPTION

FIG. 1 is a top perspective view of a container showing our new design;
FIG. 2 is a bottom perspective view thereof;
FIG. 3 is a front view thereof;
FIG. 4 is a rear view thereof;
FIG. 5 is a left side view thereof;
FIG. 6 is a right side view thereof;
FIG. 7 is a top view thereof; and,
FIG. 8 is a bottom view thereof.
The dashed broken lines in the figures show portions of the container that form no part of the claimed design.

1 Claim, 8 Drawing Sheets



(56)

References Cited

U.S. PATENT DOCUMENTS

D707,561 S *	6/2014	You	D9/454
D710,544 S *	8/2014	Shen	D28/77
D717,651 S *	11/2014	Marina	D9/454
D721,589 S *	1/2015	Sturdevant	D9/504
D735,039 S *	7/2015	Pires	D9/504
D739,740 S *	9/2015	Sturdevant	D9/504
D760,527 S *	7/2016	Jones	D7/300
D788,586 S *	6/2017	Molinari	D9/504
D793,236 S *	8/2017	Santos	D9/454

FOREIGN PATENT DOCUMENTS

JP	D965582	10/1996
KR	30-0477693	1/2008

* cited by examiner

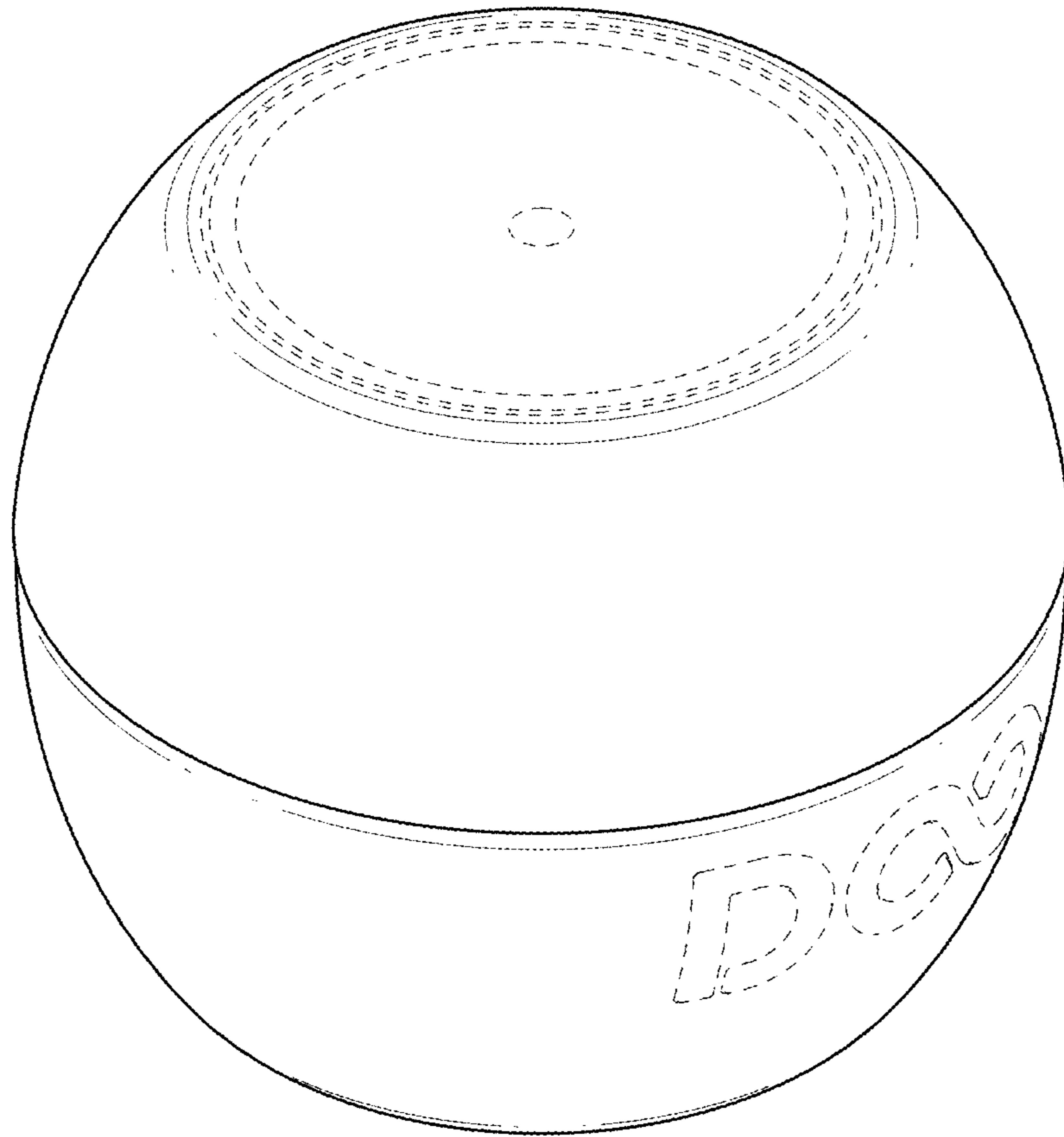


FIG. 1

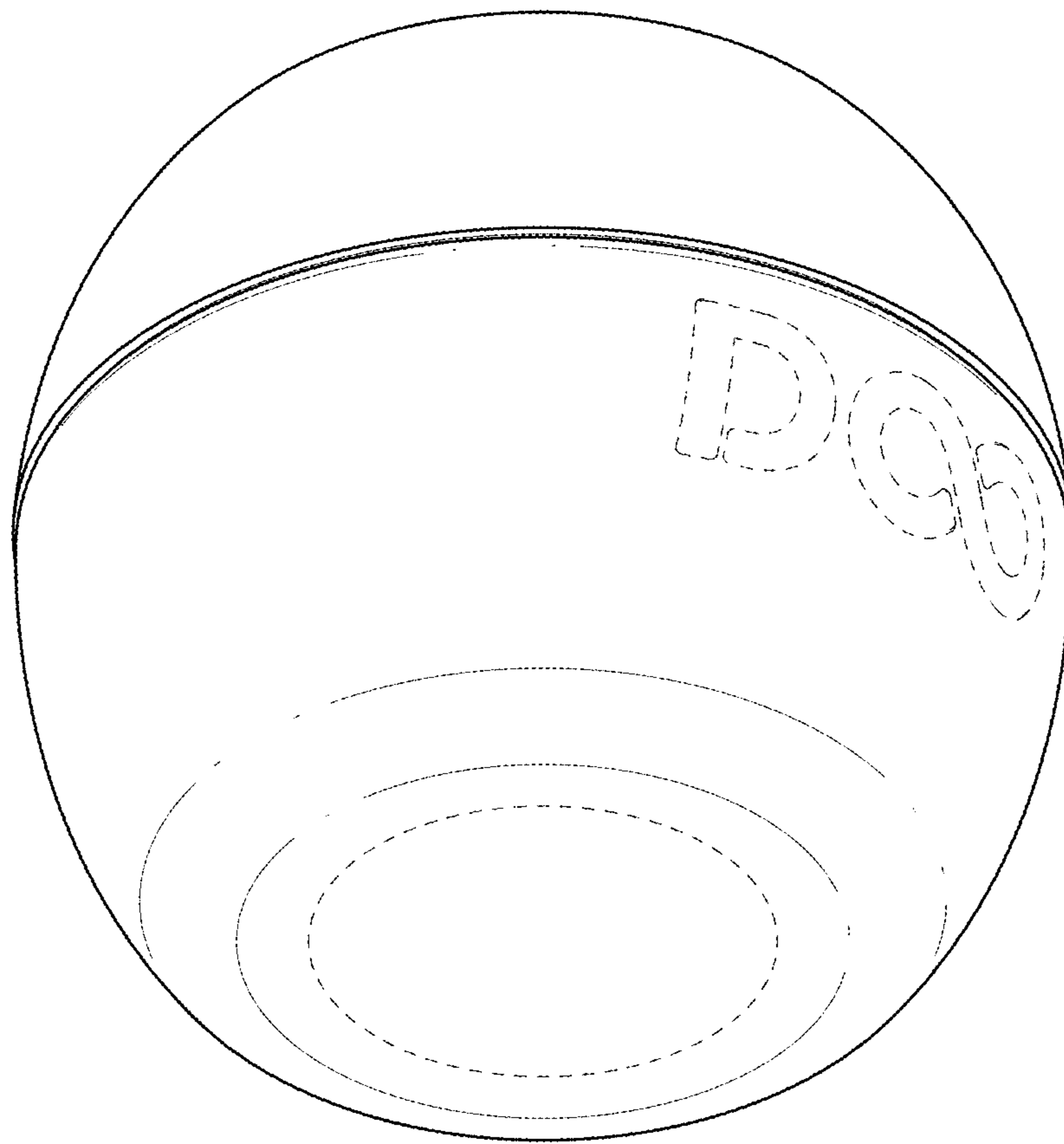


FIG. 2

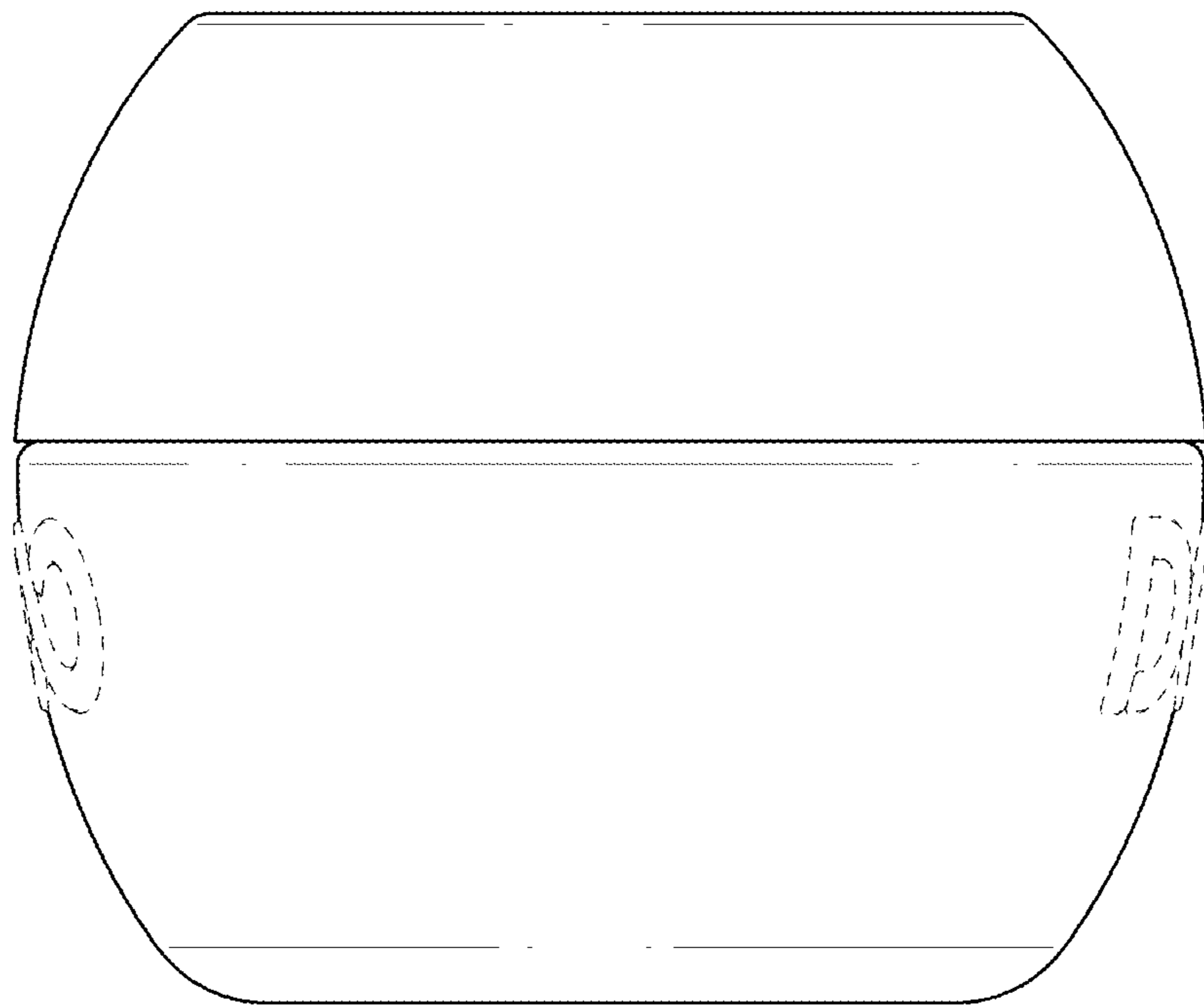


FIG. 3

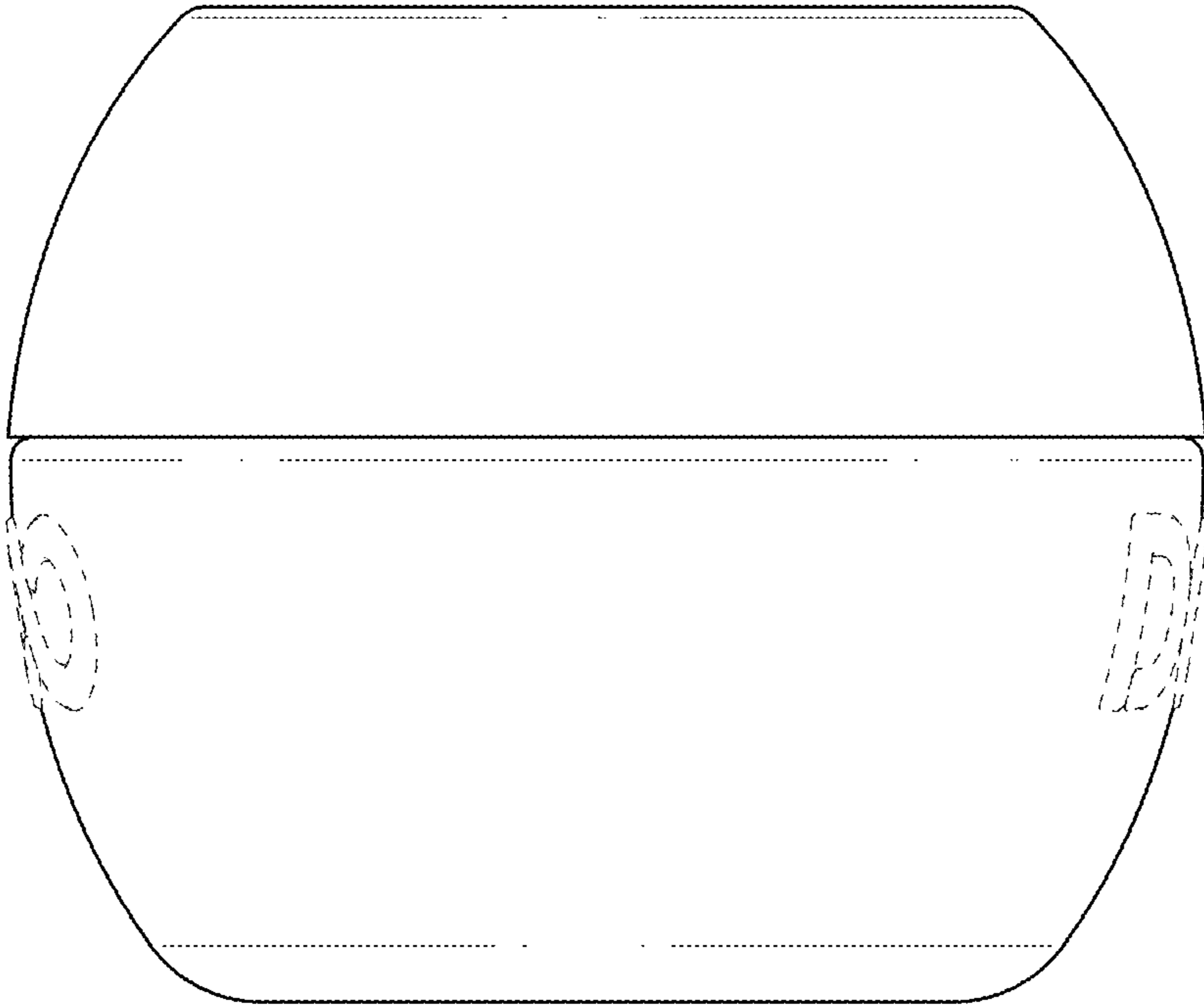


FIG. 4

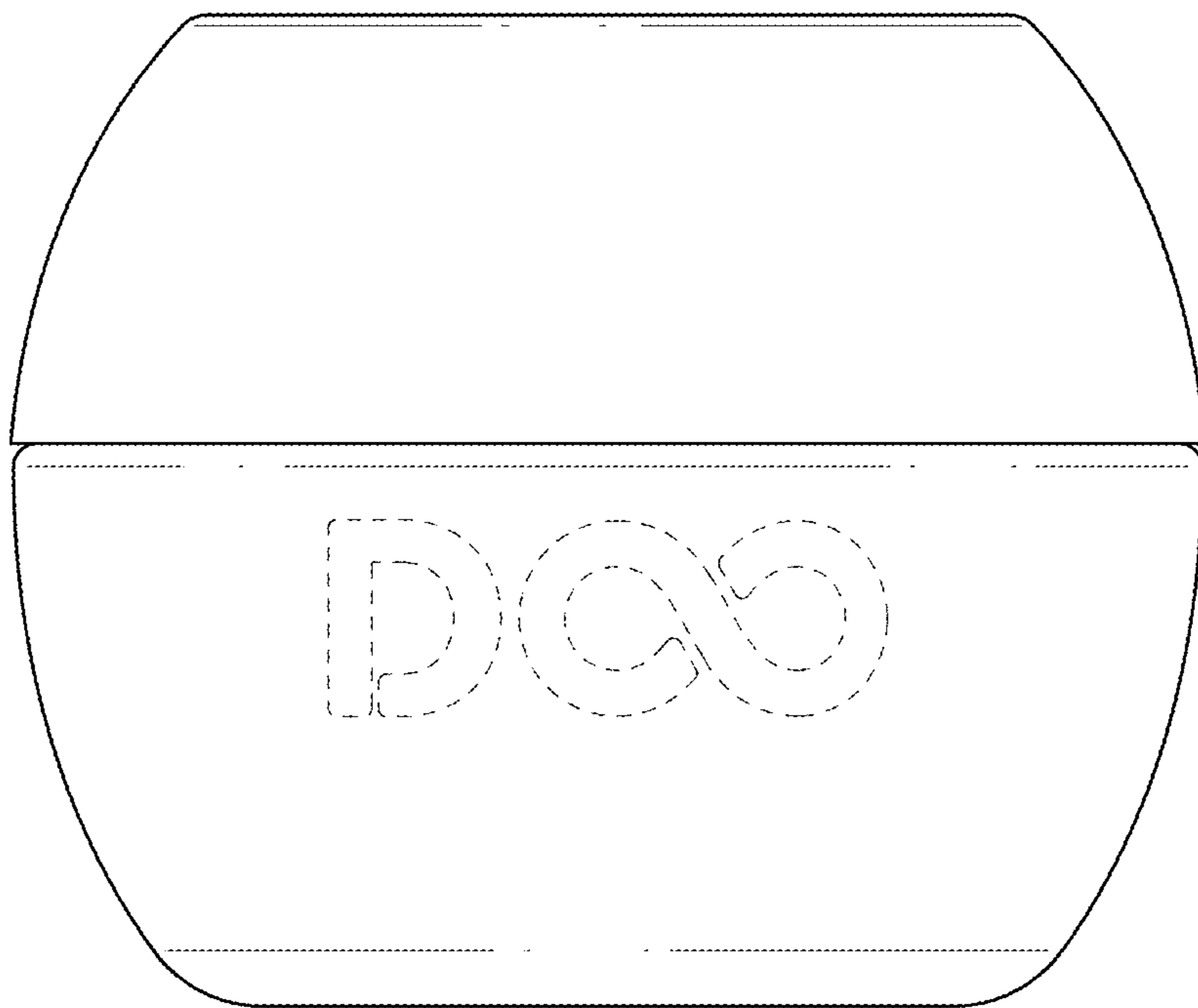


FIG. 5

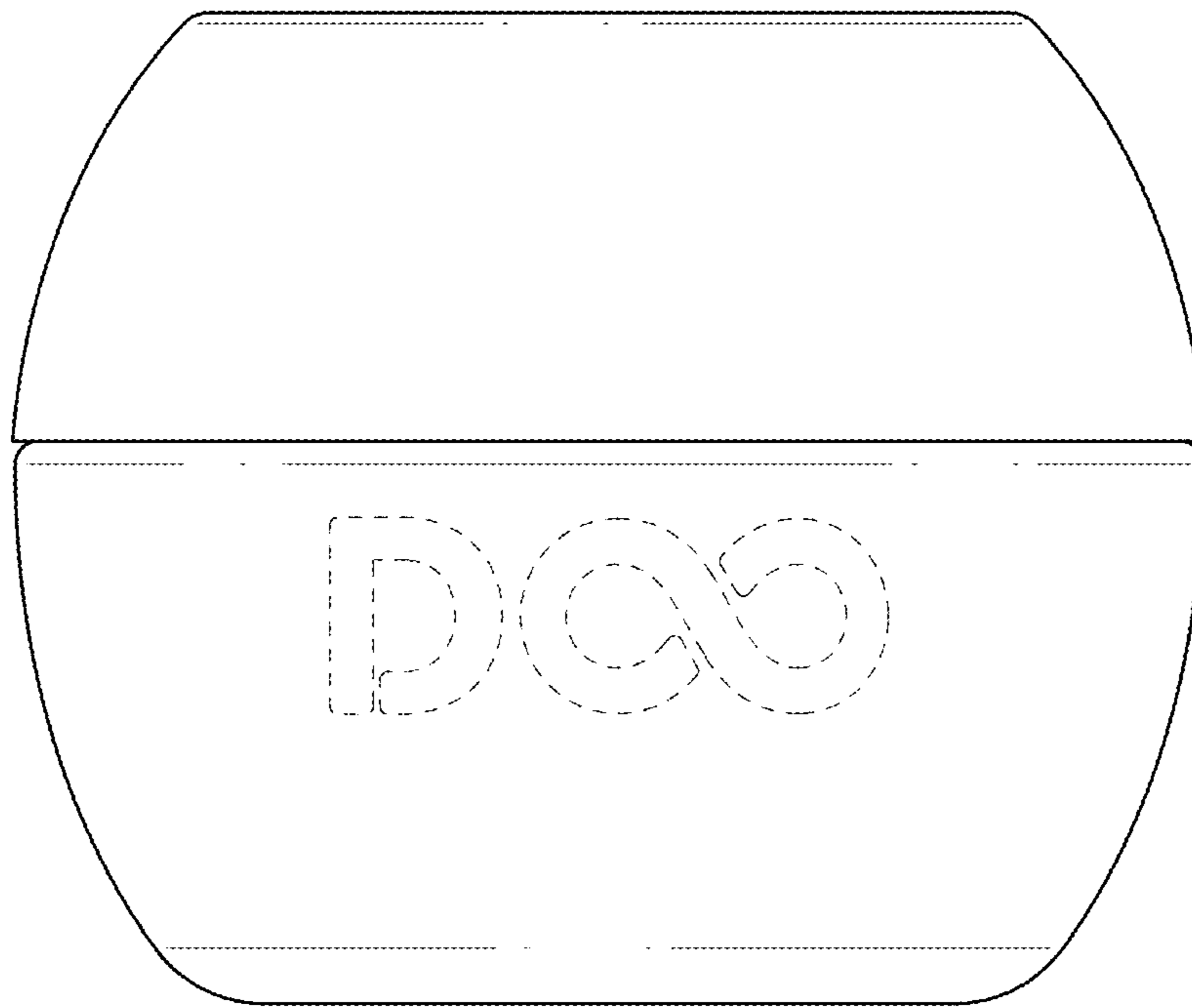


FIG. 6

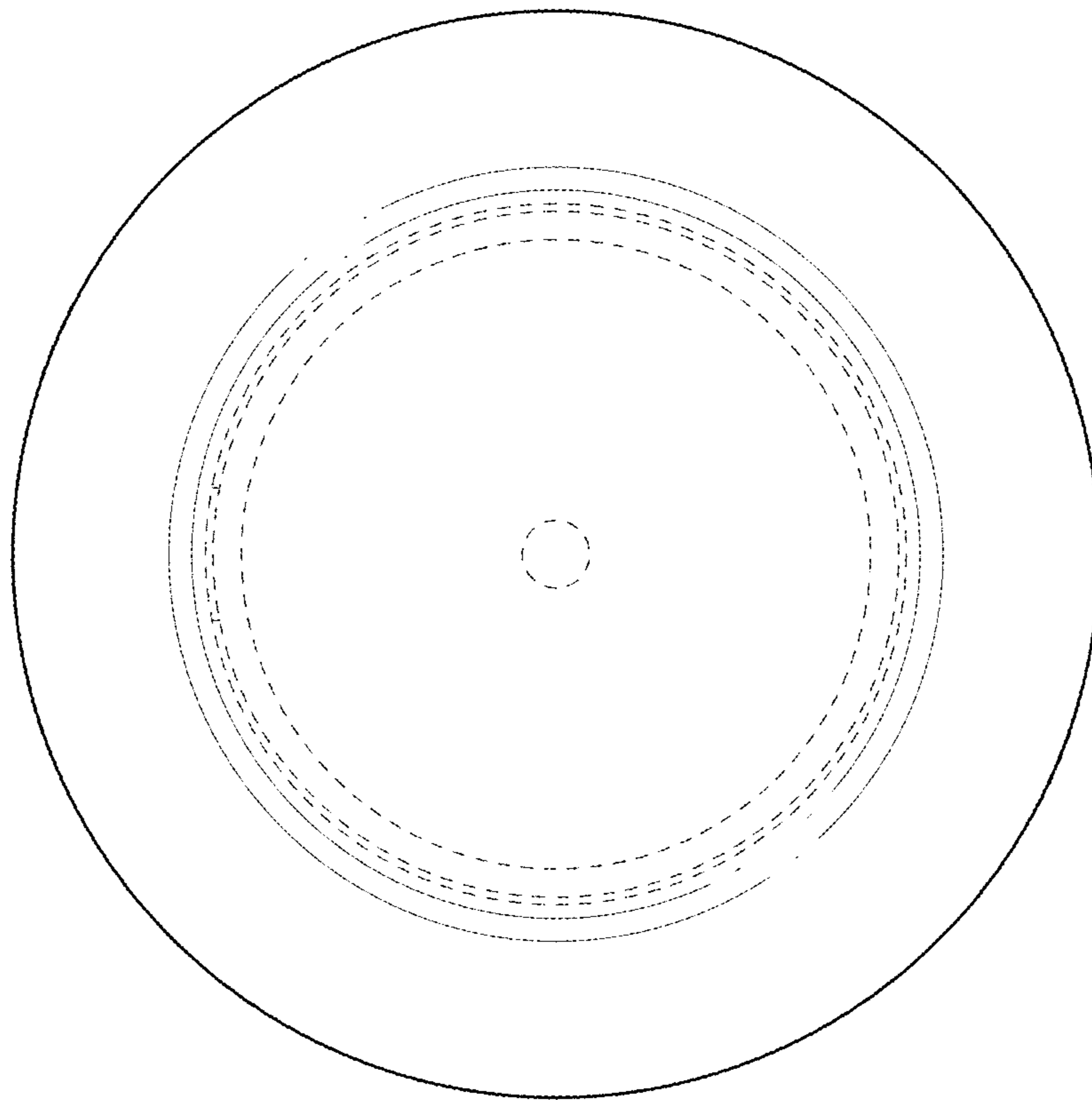


FIG. 7

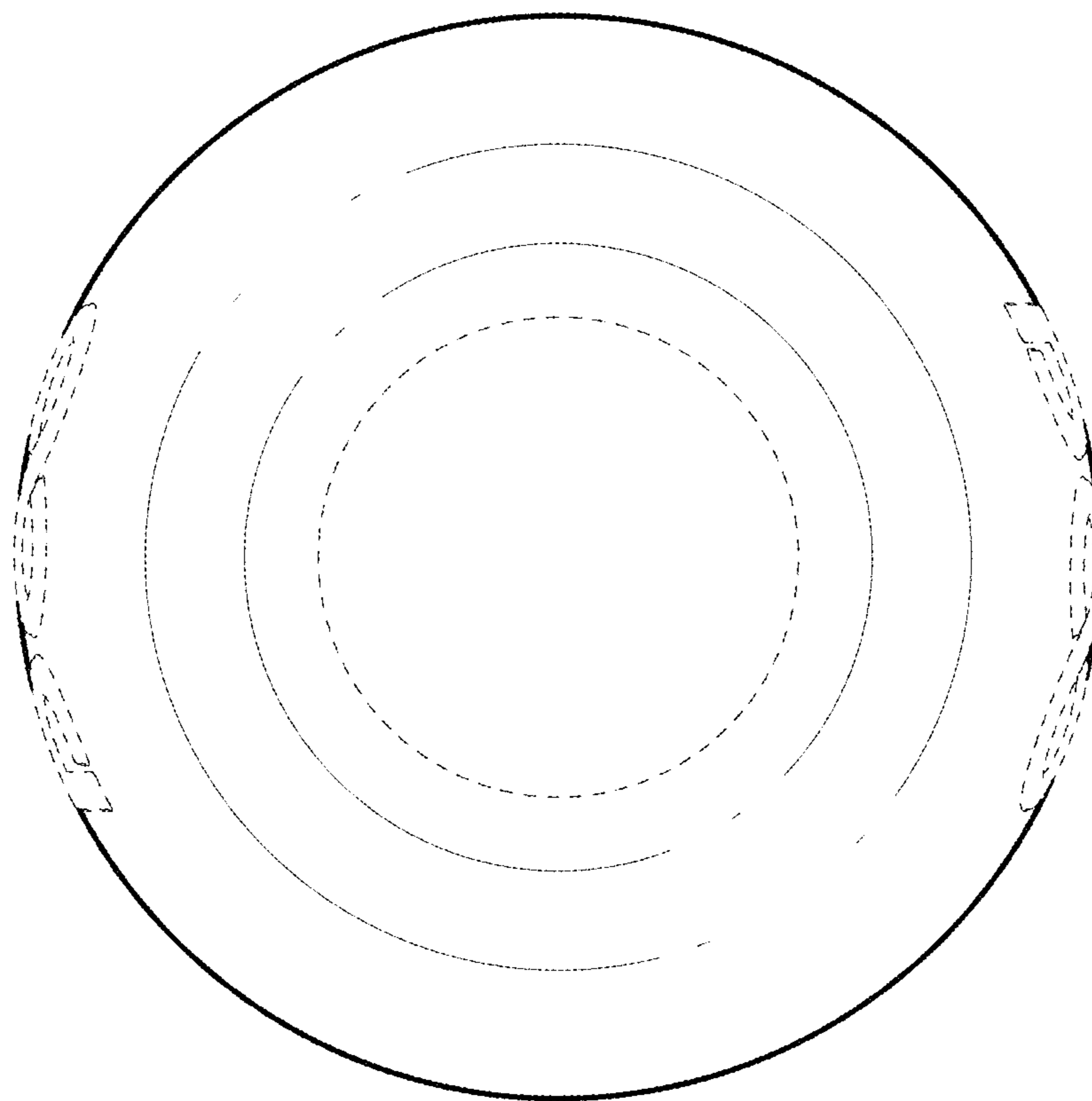


FIG. 8