



US00D803057S

(12) **United States Design Patent**
Malone

(10) **Patent No.:** **US D803,057 S**

(45) **Date of Patent:** **** Nov. 21, 2017**

(54) **HINGED U-BLOCK FOR PACKAGING**

(71) Applicant: **Diamond 6S Management**, San Antonio, TX (US)

(72) Inventor: **Dale Malone**, Austin, TX (US)

(73) Assignee: **Diamond 6S Management**, San Antonio, TX (US)

(**) Term: **15 Years**

(21) Appl. No.: **29/543,285**

(22) Filed: **Oct. 22, 2015**

(51) **LOC (10) Cl.** **09-07**

(52) **U.S. Cl.**
USPC **D9/456**

(58) **Field of Classification Search**
USPC D9/415, 434, 435, 440, 446-450, 452, D9/453, 454, 455-457, 499; D7/387, D7/388, 396.2, 396.4, 396.6, 398, 403, D7/509, 510, 511; D3/202, 203.2, 247, D3/294, 304, 318; D28/91.1; D8/343, D8/346, 352, 382, 397, 399; D25/102, D25/122, 199
CPC .. A61J 1/00; A61J 1/1412; B65D 1/00; B65D 1/02; B65D 1/10; B65D 1/46; B65D 2585/56; B65D 41/00; B65D 41/56; B65D 41/62; B65D 47/06; B65D 47/08; B65D 2543/00046; B65D 2543/00092; B65D 2543/00296
See application file for complete search history.

(56) **References Cited**

U.S. PATENT DOCUMENTS

- 1,516,721 A * 11/1924 Emery B21K 1/707
16/DIG. 37
- 2,066,420 A * 1/1937 Reysa A47L 17/04
12/142 F
- D202,691 S * 11/1965 Essman D23/278

- 3,334,798 A * 8/1967 Pezely, Jr. A63F 9/1204
206/523
- 3,439,860 A * 4/1969 Wienecke, Jr. B65D 85/30
206/521
- 4,422,546 A * 12/1983 Charity A47K 7/03
15/244.4

(Continued)

Primary Examiner — Karen S Acker

Assistant Examiner — Wendy Arminio

(74) *Attorney, Agent, or Firm* — Winstead PC

(57) **CLAIM**

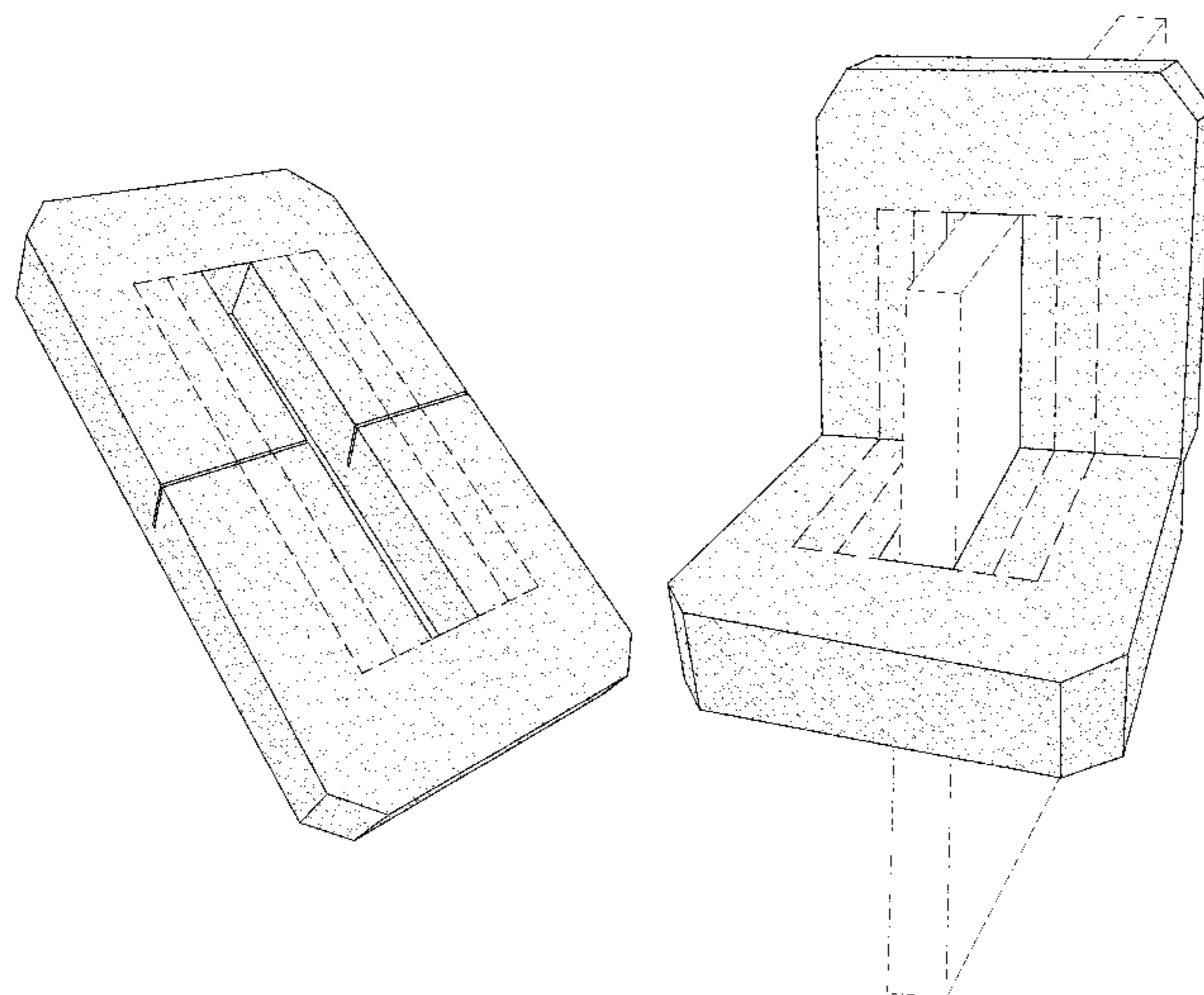
The ornamental design for a hinged U-block for packaging, as shown and described.

DESCRIPTION

FIG. 1 is a top, front, left perspective view of a hinged U-block for packaging shown in an unfolded configuration in accordance with the design;
 FIG. 2 is a top view thereof;
 FIG. 3 is a bottom view thereof;
 FIG. 4 is a right side view thereof;
 FIG. 5 is a left side view thereof;
 FIG. 6 is a front view thereof;
 FIG. 7 is a rear view thereof;
 FIG. 8 is a bottom, front, right perspective view of the hinged U-block for packaging of FIG. 1 shown in a folded configuration;
 FIG. 9 is a rear view thereof;
 FIG. 10 is a front view thereof;
 FIG. 11 is a left side view thereof;
 FIG. 12 is a right side view thereof;
 FIG. 13 is a bottom view thereof; and,
 FIG. 14 is a top view thereof.

The broken lines shown throughout the figures depict separable perforation lines that are part of the claim. The panel drawn with smaller broken lines in FIG. 8 represents environmental subject matter included to show the hinged U-block for packaging in a position of use and form no part of the claimed design.

1 Claim, 8 Drawing Sheets



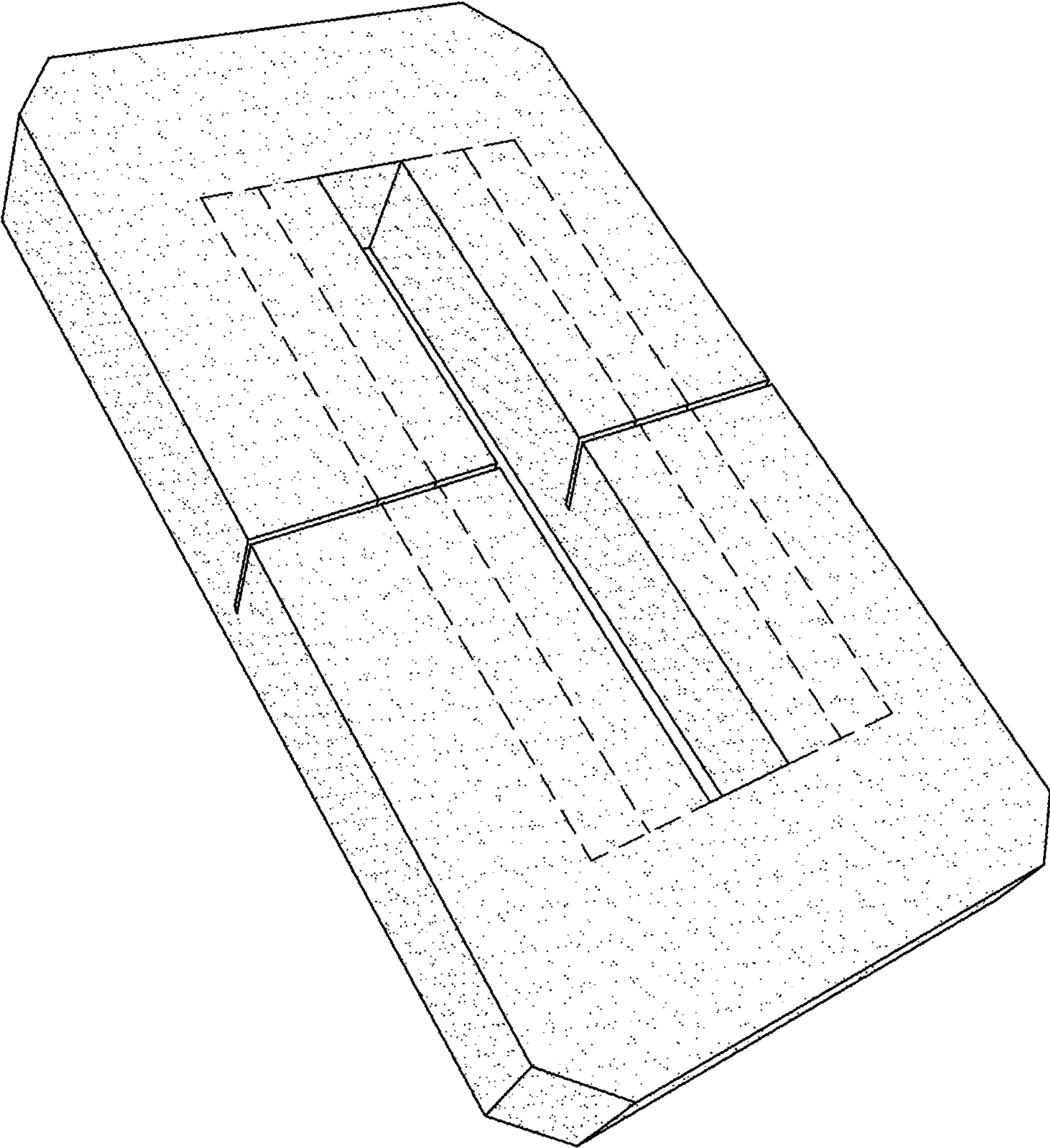


FIG. 1

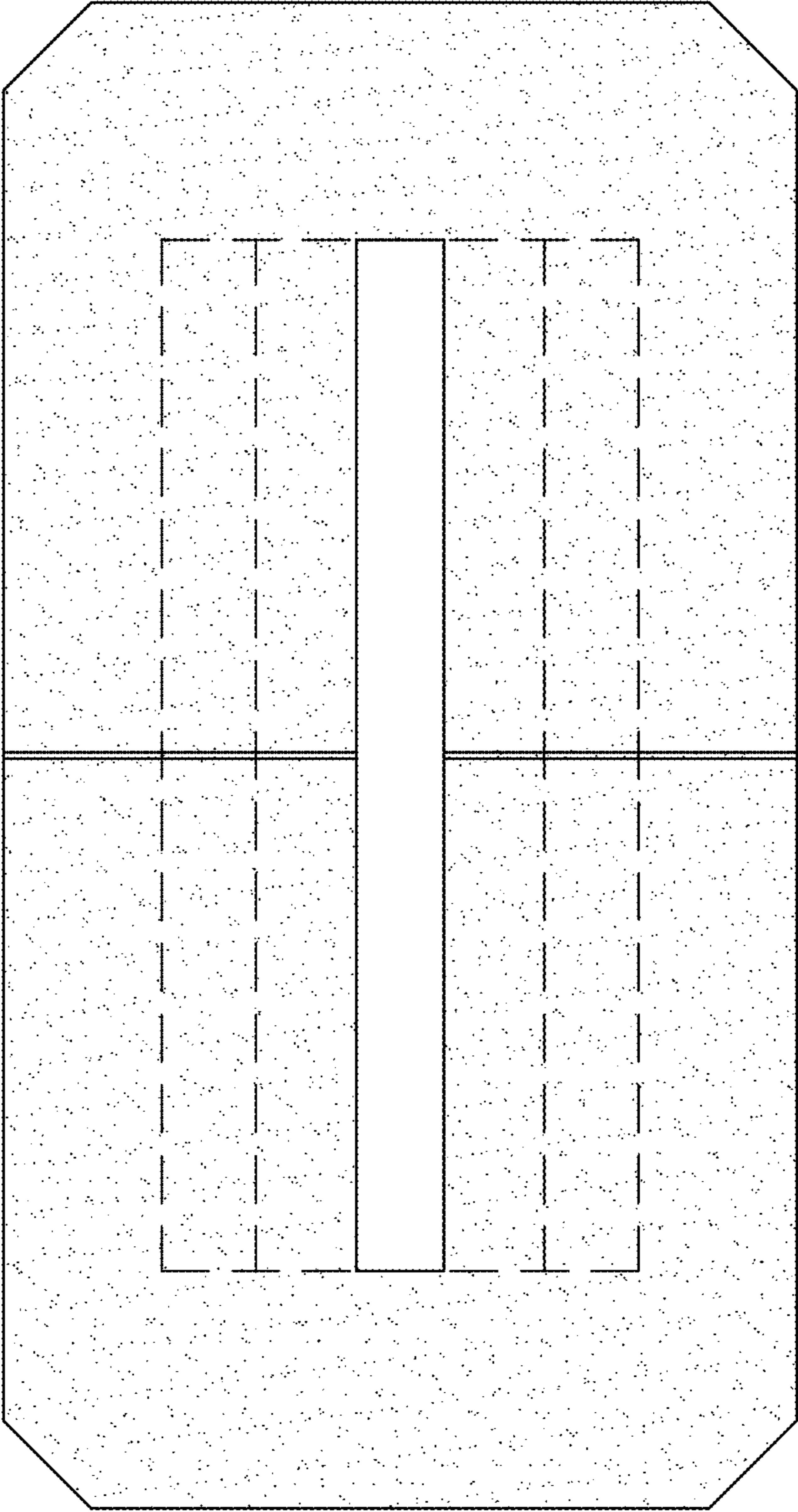


FIG. 2

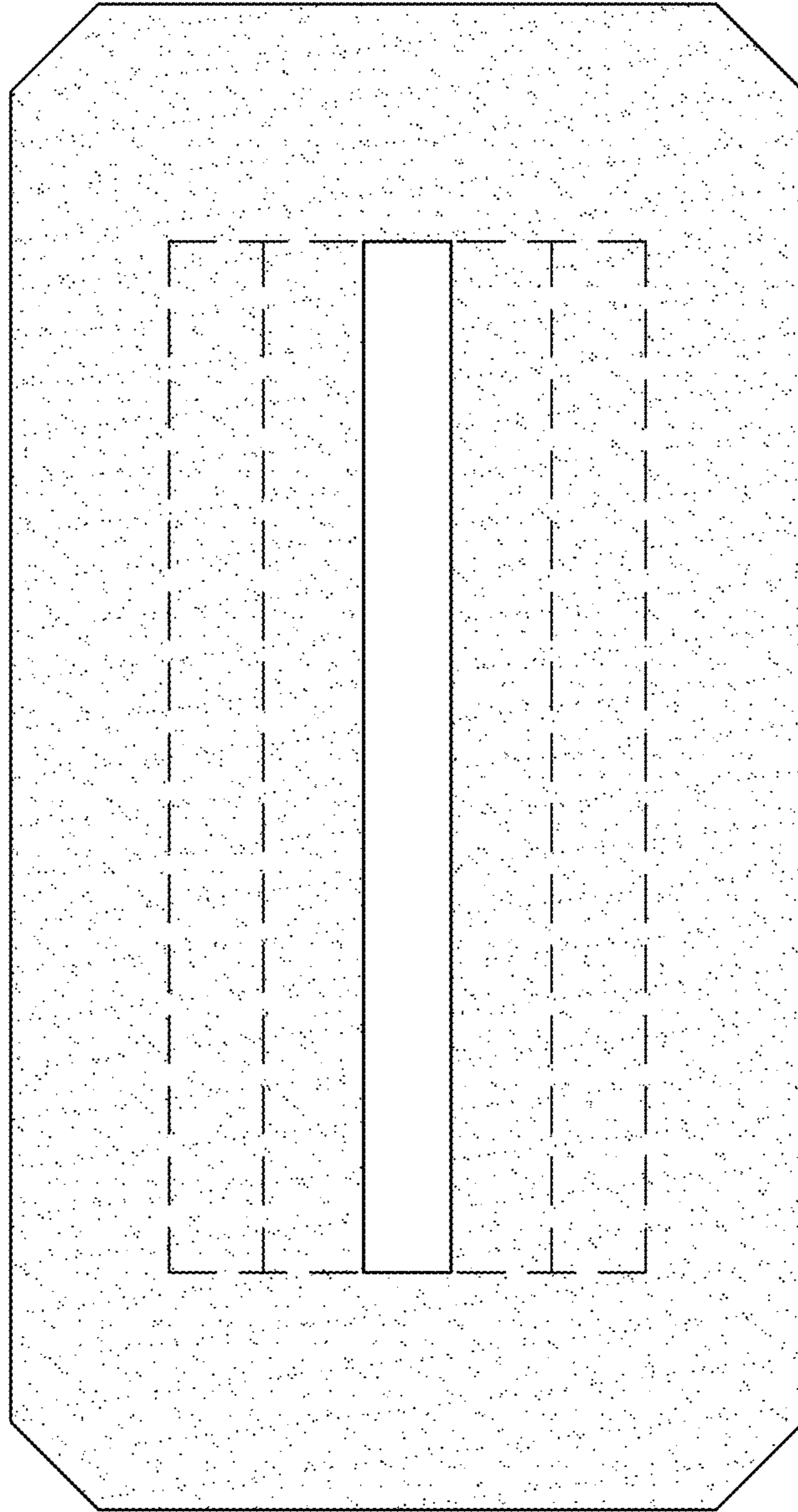


FIG. 3

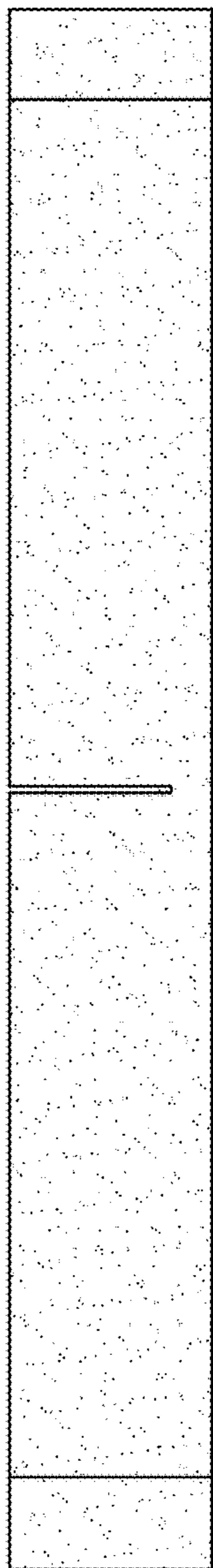


FIG. 4

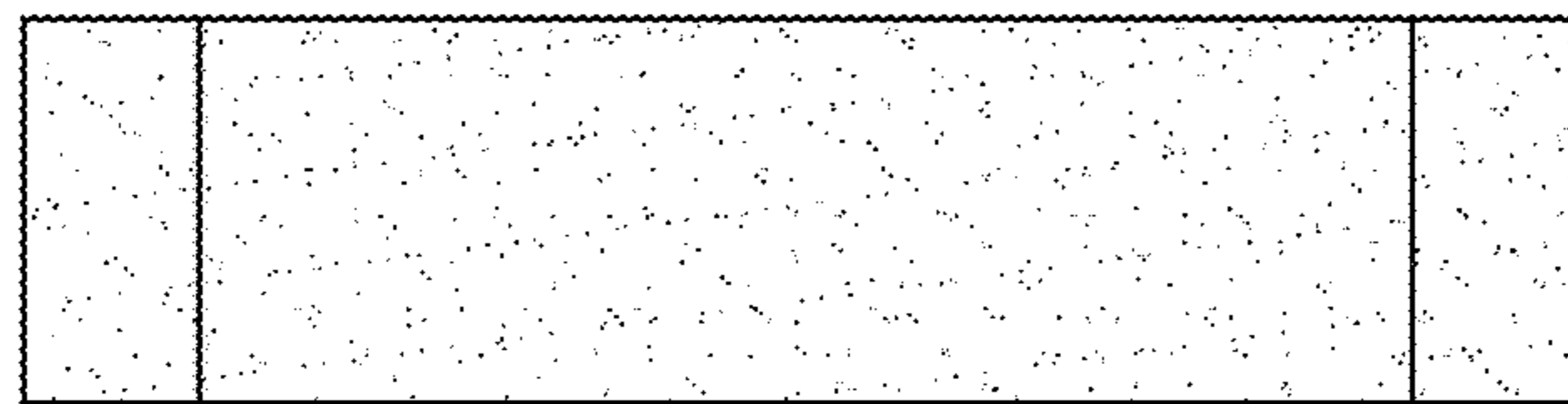


FIG. 6

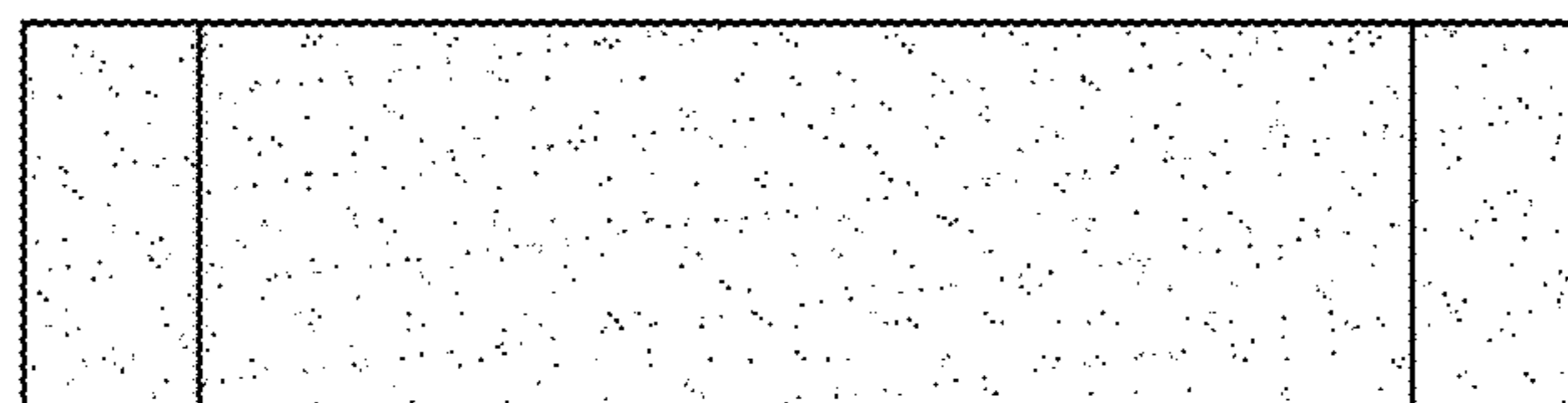


FIG. 7

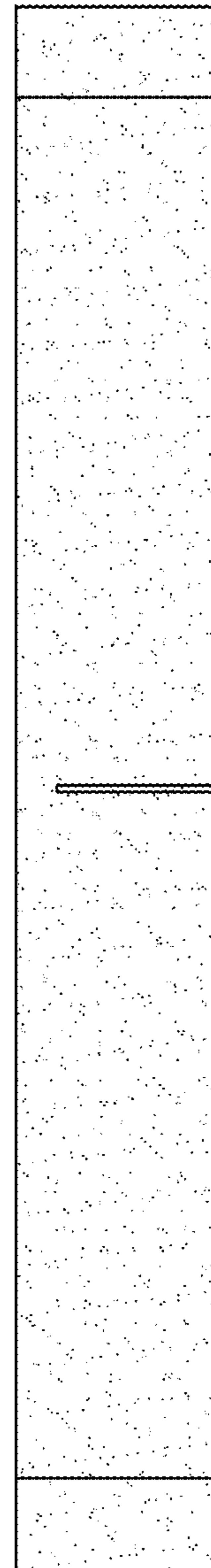


FIG. 5

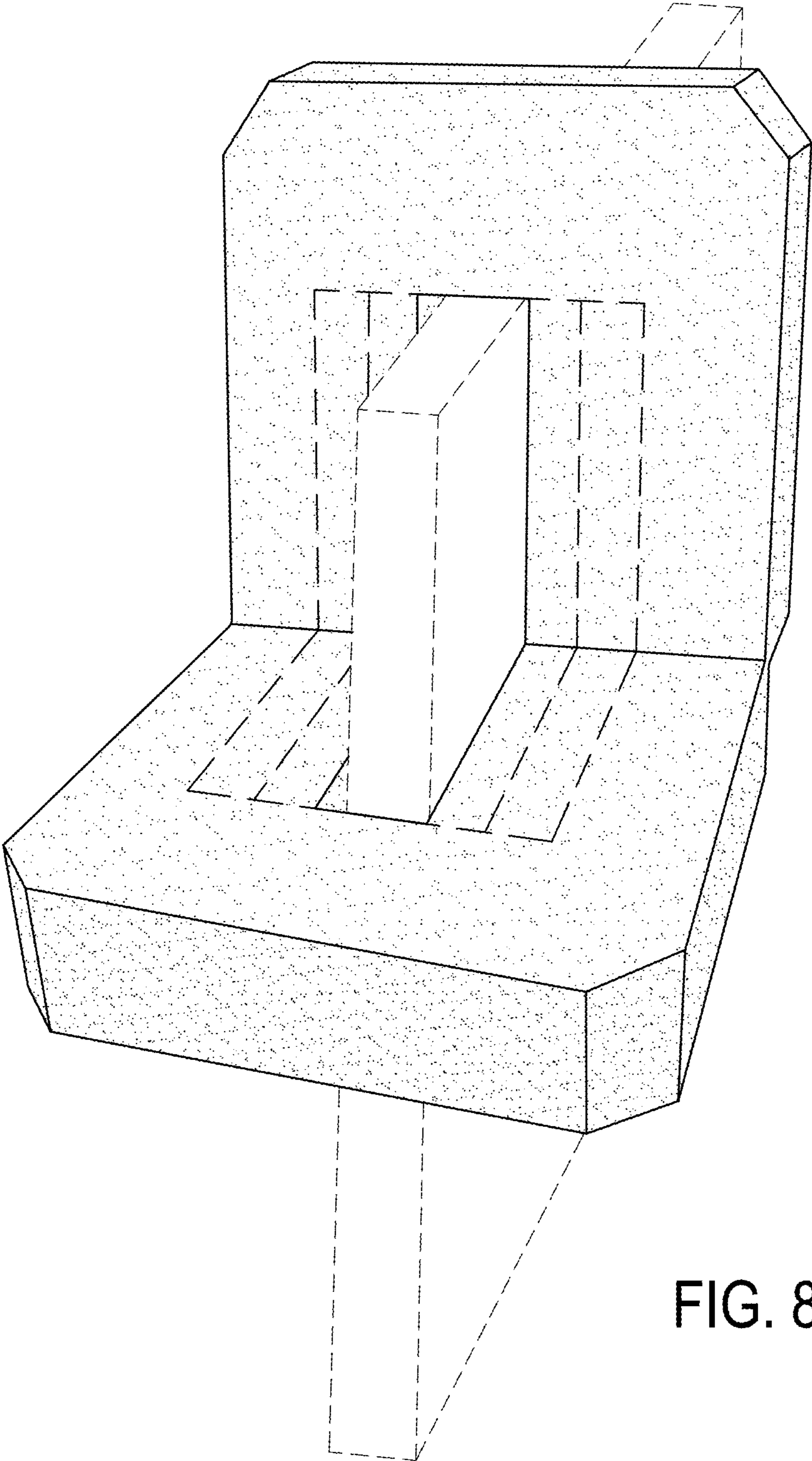


FIG. 8

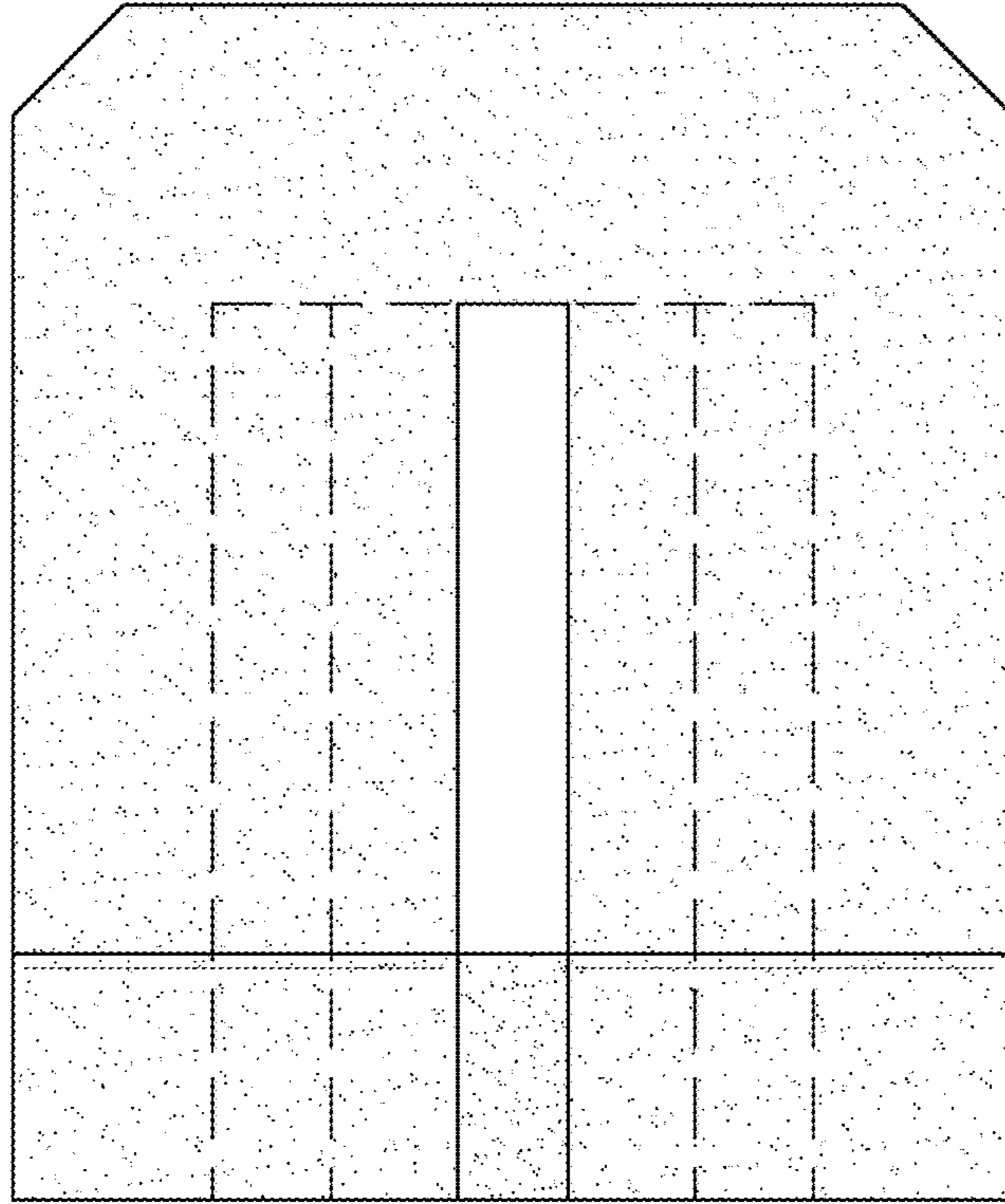


FIG. 9

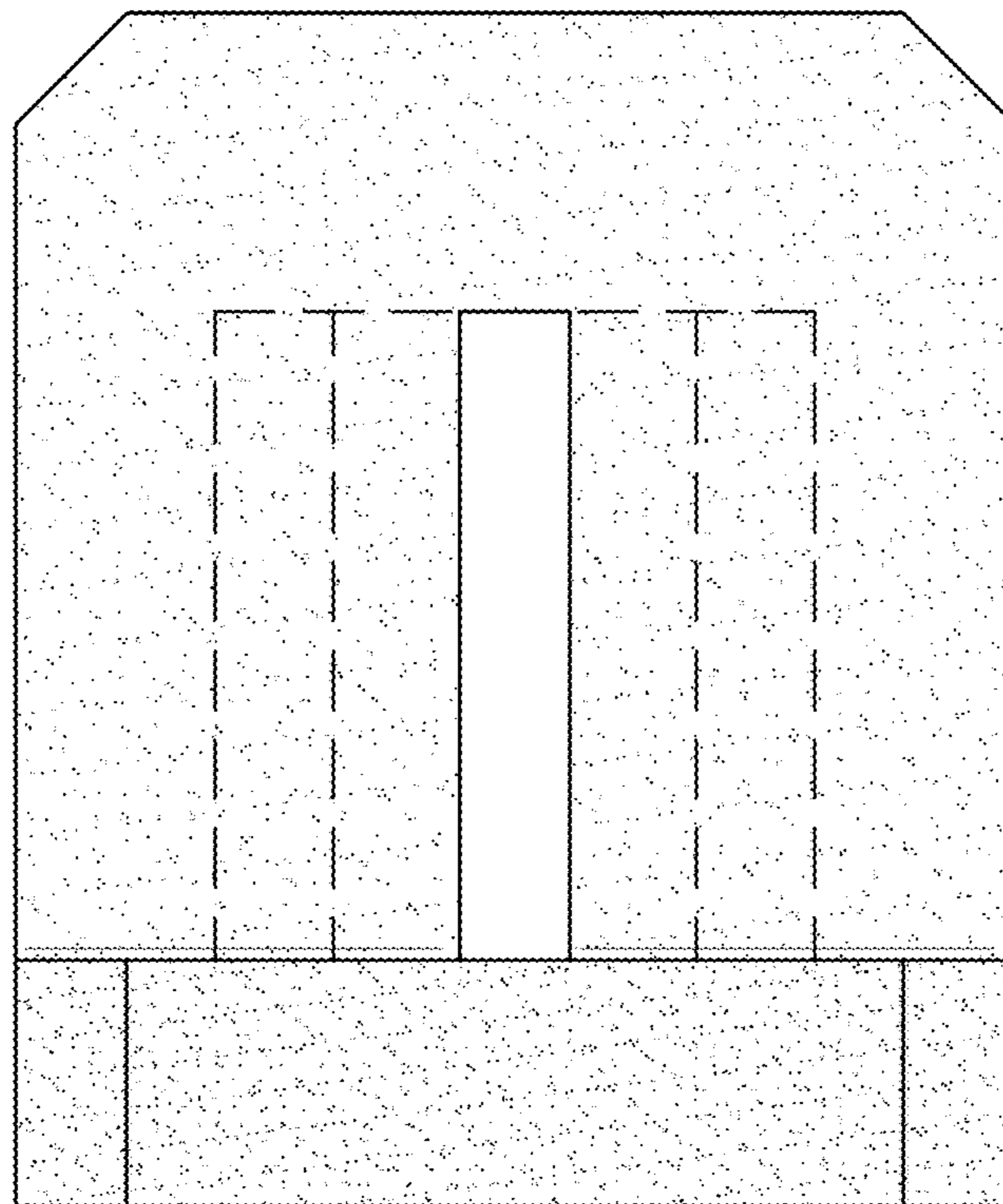


FIG. 10

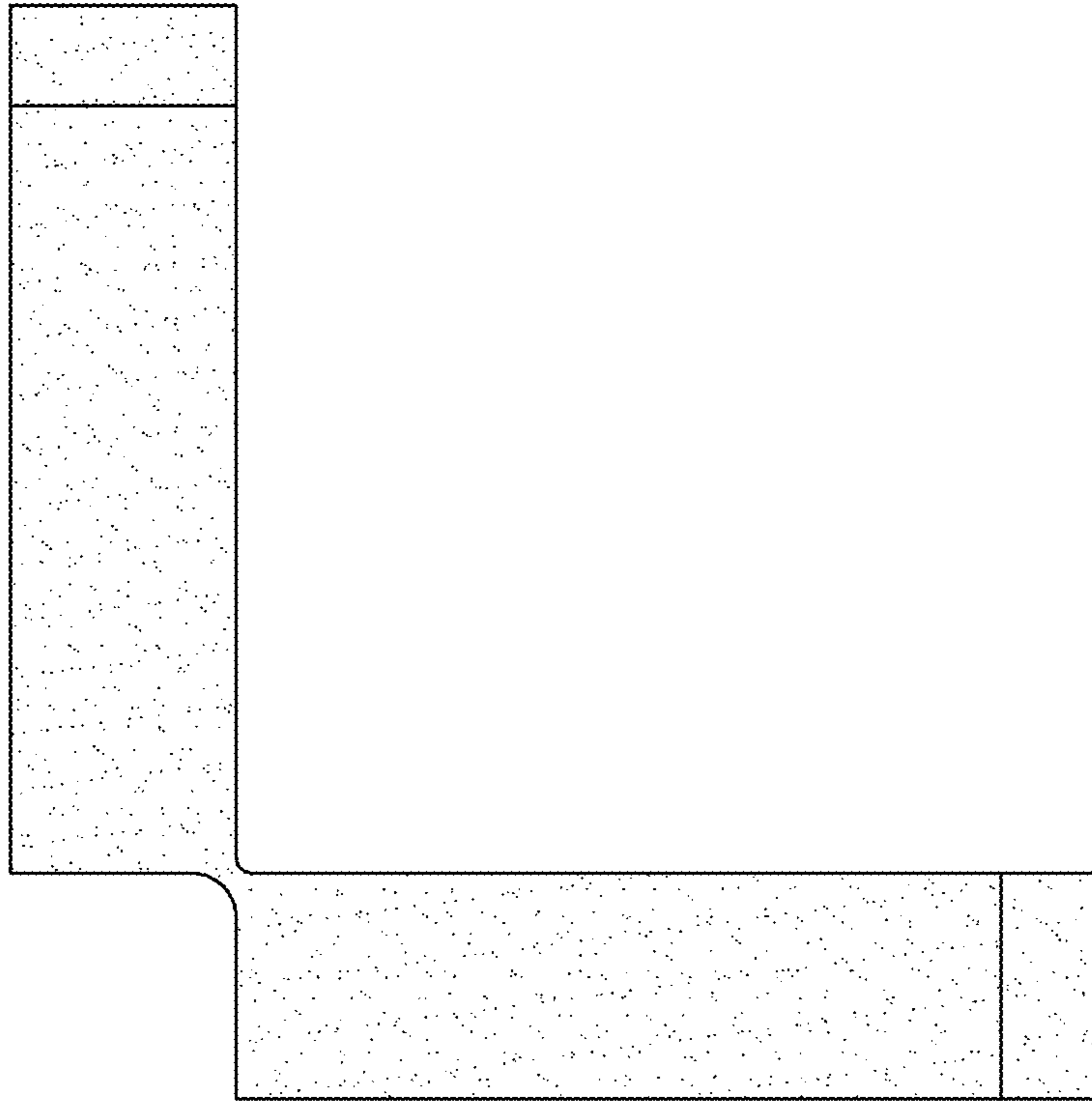


FIG. 11

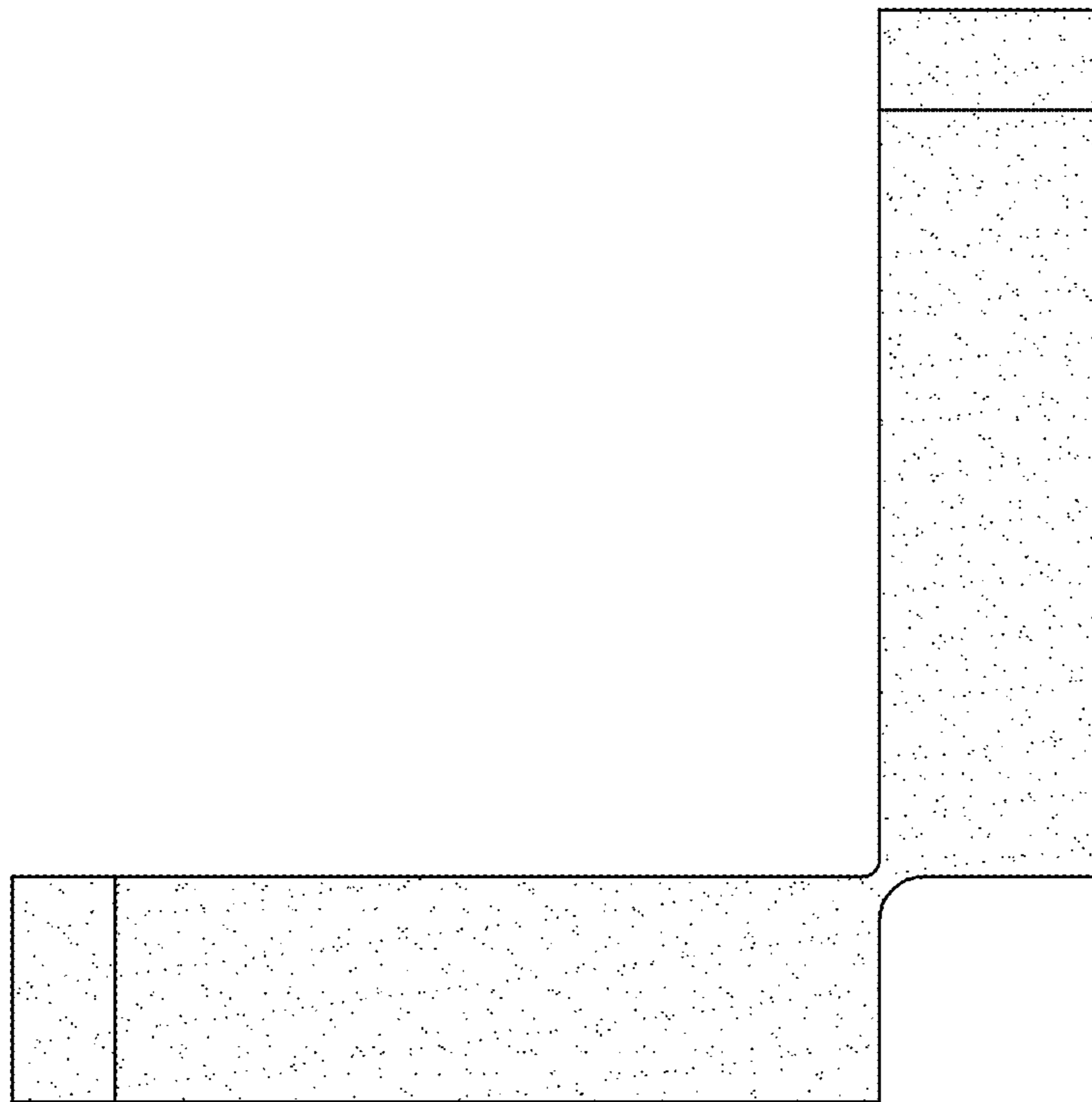


FIG. 12

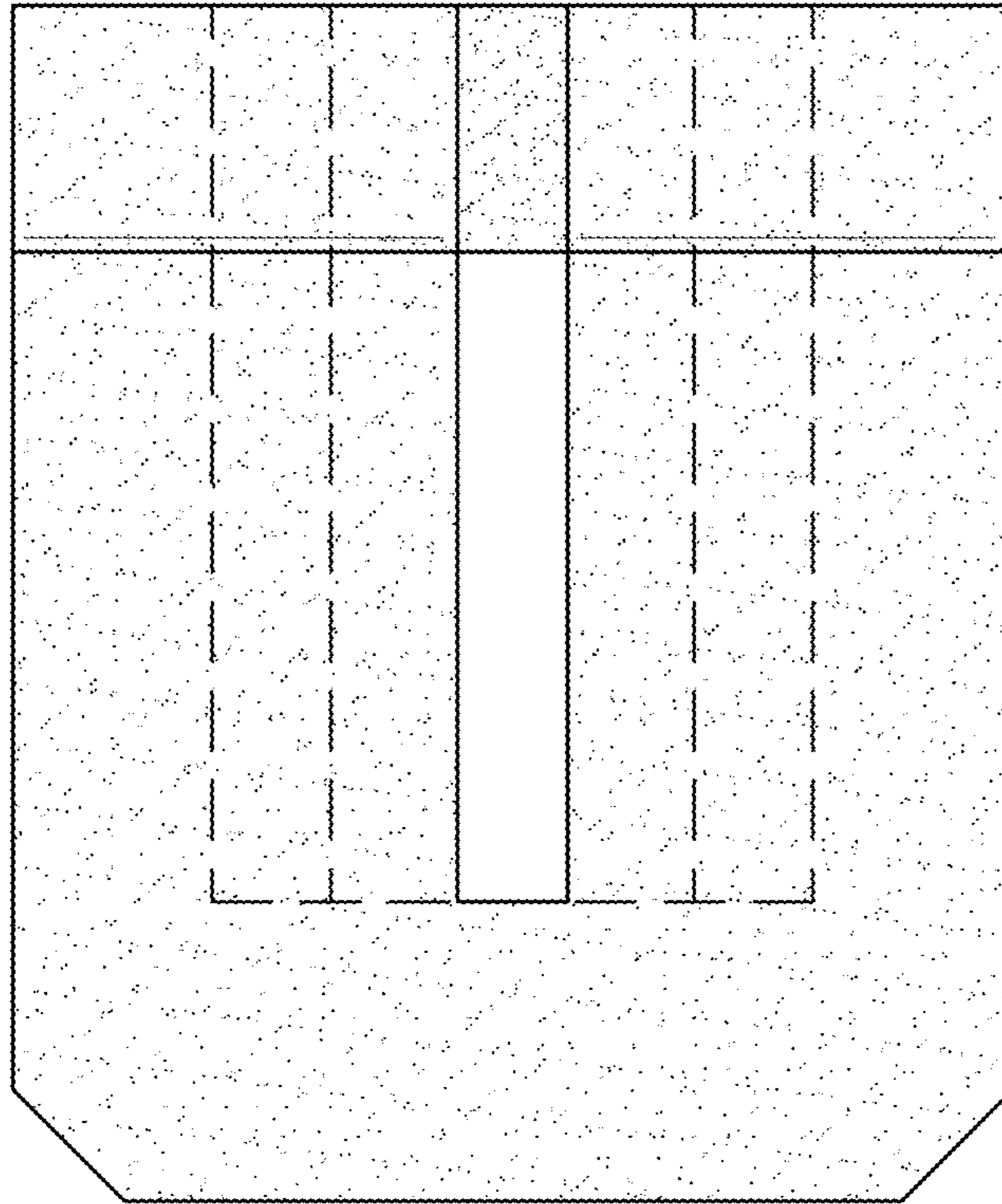


FIG. 13

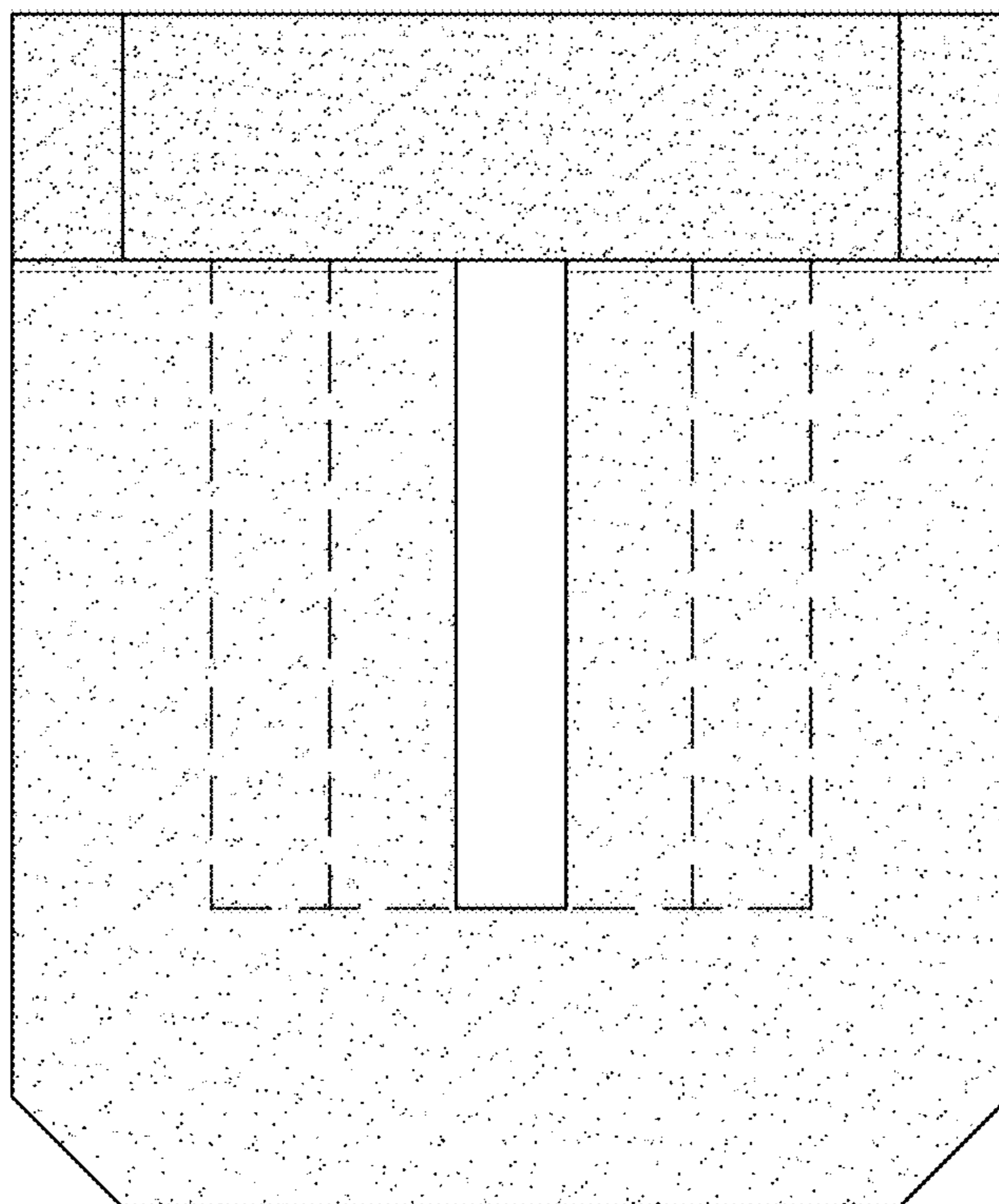


FIG. 14