



US00D803056S

(12) **United States Design Patent**
Pellerin

(10) **Patent No.:** **US D803,056 S**
(45) **Date of Patent:** **** Nov. 21, 2017**

(54) **FLASK WITH CAP**

DESCRIPTION

(71) Applicant: **BERICAP**, Longvic (FR)
 (72) Inventor: **Philippe Pellerin**, Dijon (FR)
 (73) Assignee: **Bericap**, Longvic (FR)
 (**) Term: **15 Years**
 (21) Appl. No.: **35/500,321**
 (22) Filed: **Jun. 19, 2015**
 (80) **Hague Agreement Data**
 Int. Filing Date: **Jun. 19, 2015**
 Int. Reg. No.: **DM/088288**
 Int. Reg. Date: **Jun. 19, 2015**
 Int. Reg. Pub. Date: **Dec. 4, 2015**
 (30) **Foreign Application Priority Data**
 Dec. 19, 2014 (EM) 002602706
 (51) **LOC (10) Cl.** **09-07**
 (52) **U.S. Cl.**
 USPC **D9/453**
 (58) **Field of Classification Search**
 USPC D9/453, 434, 447, 500, 734, 451, 723,
 D9/551, 724, 502, 503, 449; D7/392.1,
 (Continued)
 (56) **References Cited**
 U.S. PATENT DOCUMENTS
 D264,939 S * 6/1982 Stock D24/115
 D264,940 S * 6/1982 Stock D24/115
 (Continued)

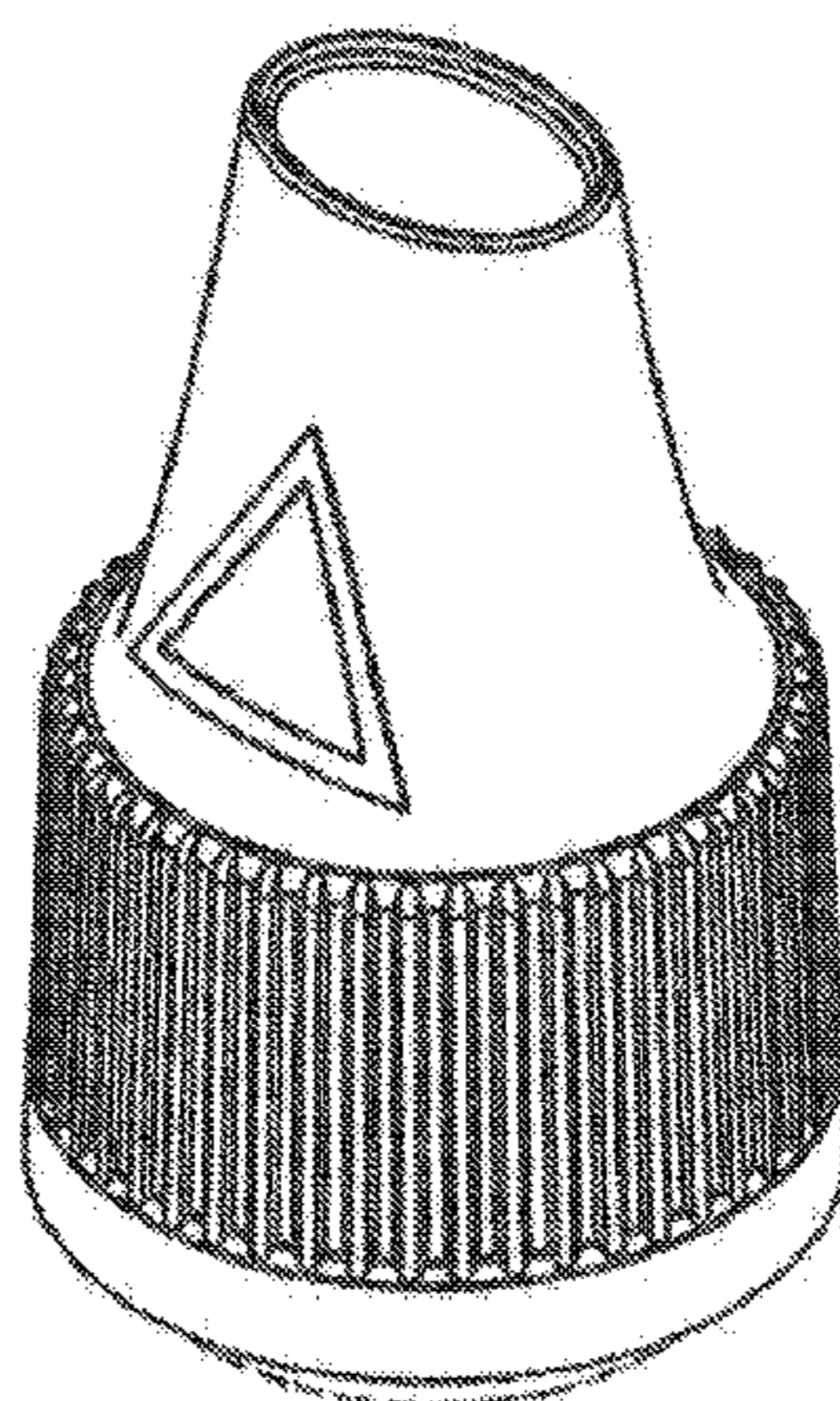
- 1. Flask with cap
- 2. Flask with cap
- 3. Flask with cap
- 4. Flask with cap
- 1.1 : Perspective
- 1.2 : Front
- 1.3 : Bottom
- 1.4 : Top
- 1.5 : Right
- 1.6 : Left
- 1.7 : Back
- 2.1 : Perspective
- 2.2 : Front
- 2.3 : Bottom
- 2.4 : Top
- 2.5 : Right
- 2.6 : Left
- 2.7 : Back
- 3.1 : Perspective
- 3.2 : Front
- 3.3 : Bottom
- 3.4 : Top
- 3.5 : Right
- 3.6 : Left
- 3.7 : Back
- 4.1 : Perspective
- 4.2 : Front
- 4.3 : Bottom
- 4.4 : Top
- 4.5 : Right
- 4.6 : Left
- 4.7 : Back

Primary Examiner — Rhea Shields
 (74) *Attorney, Agent, or Firm* — McCarter & English,
 LLP

(57) **CLAIM**
 The ornamental design for a flask with cap, as shown and
 described.

The broken line showing of the connections of the cap to the
 flask is for the purpose of illustrating portions of the cap and
 forms no part of the claimed design.

1 Claim, 28 Drawing Sheets



(58) **Field of Classification Search**
USPC D7/510; D27/101; D24/115, 224;
D3/202; 116/63 C
CPC B60Q 7/005
See application file for complete search history.

(56) **References Cited**

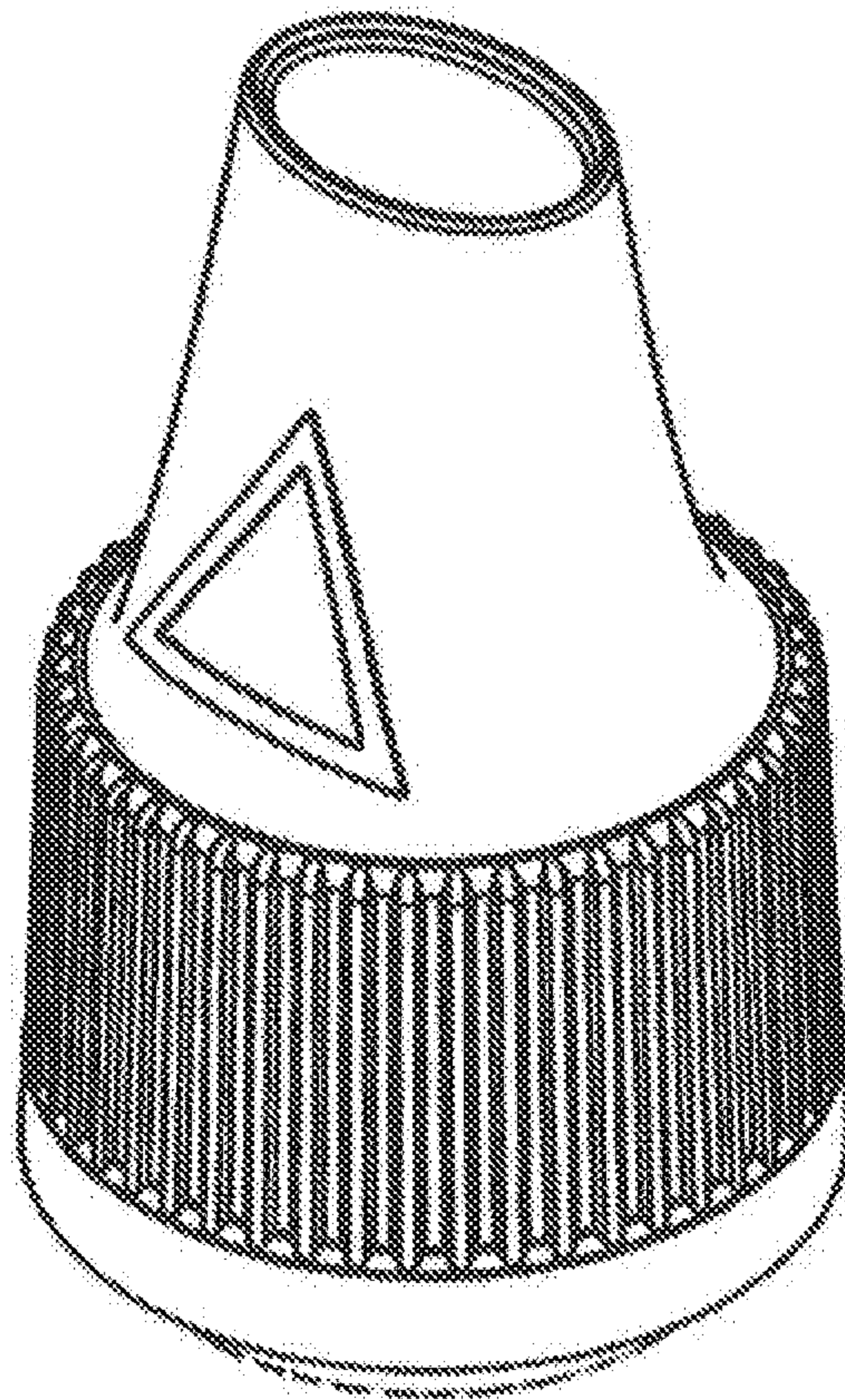
U.S. PATENT DOCUMENTS

D348,606 S * 7/1994 Edstrom D9/500
D352,451 S * 11/1994 Linner D9/503
5,375,554 A * 12/1994 Yen B60Q 7/005
116/63 C
D357,628 S * 4/1995 Vasas D9/503
D440,495 S * 4/2001 Hathaway D9/450
D524,536 S * 7/2006 Warner D3/202
D601,898 S * 10/2009 Ikeda D9/503
D618,100 S * 6/2010 Rushe D9/447

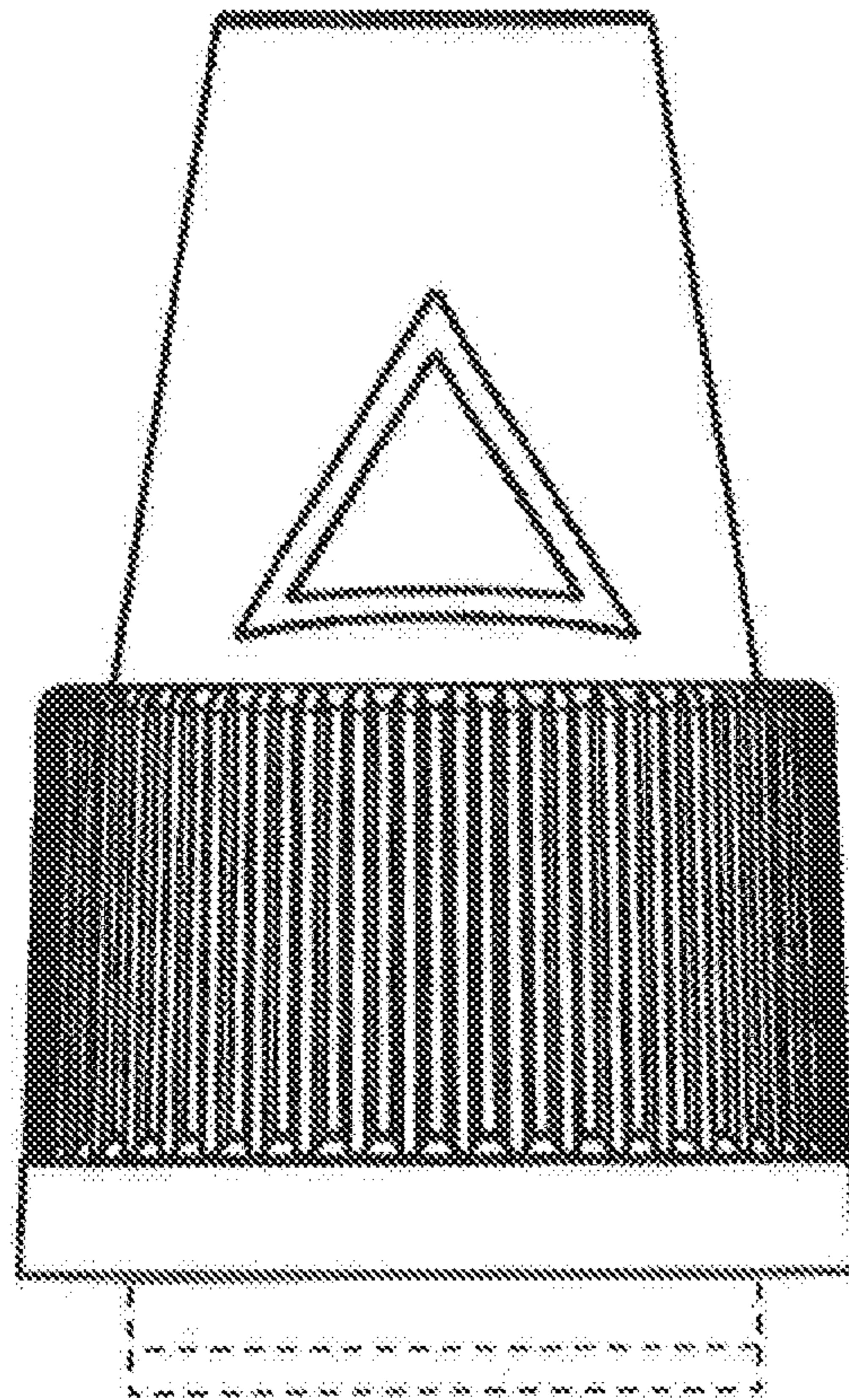
D621,522 S * 8/2010 Wilkinson D24/224
D628,486 S * 12/2010 Lane D7/510
D632,524 S * 2/2011 Rosbach D7/510
D633,798 S * 3/2011 Cresswell D9/500
D672,253 S * 12/2012 Lee D9/724
D691,478 S * 10/2013 Yip D9/451
D693,170 S * 11/2013 Rosbach D7/392.1
D696,592 S * 12/2013 Ueta D9/723
D697,802 S * 1/2014 Lane D9/500
D698,264 S * 1/2014 Schwall D9/551
D720,497 S * 12/2014 Alima D27/101
D732,975 S * 6/2015 Hua D9/724
D739,237 S * 9/2015 Schwarz D9/449
D739,256 S * 9/2015 Kim D9/503
D755,639 S * 5/2016 Kim D9/500
D761,105 S * 7/2016 Wisniewski D9/449
D762,473 S * 8/2016 Willows D9/447
D763,078 S * 8/2016 Roy D9/434

* cited by examiner

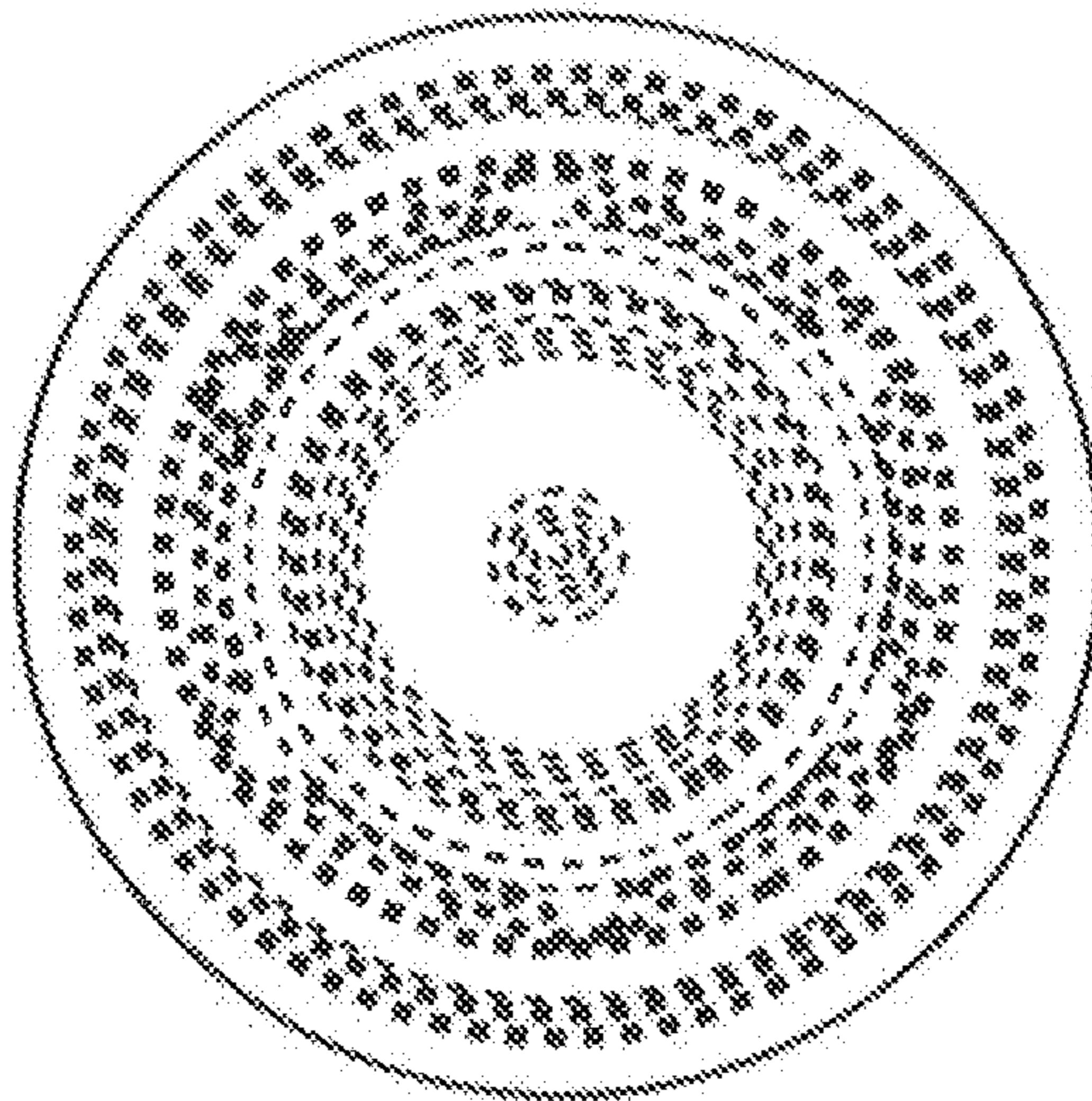
1. 1



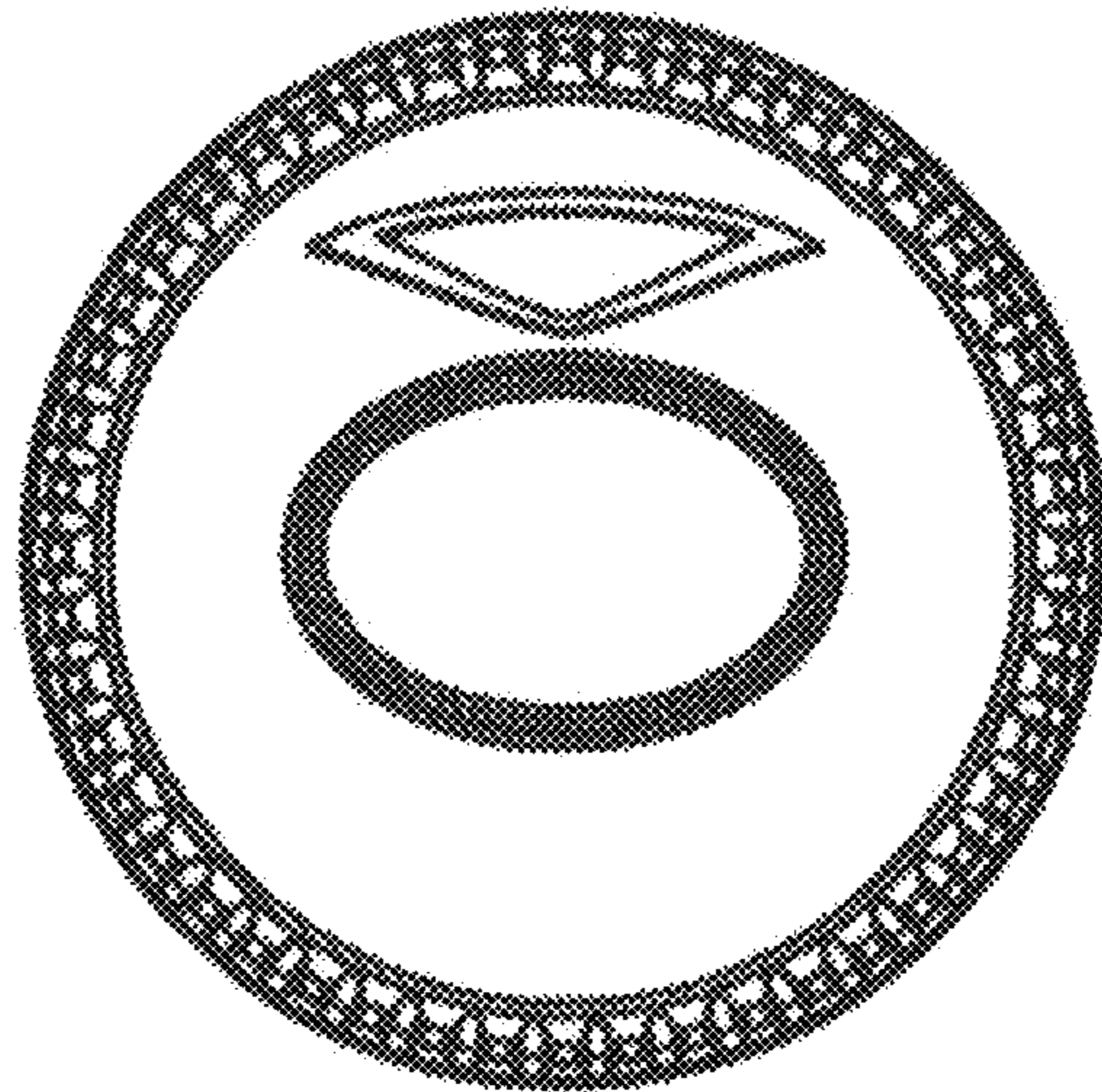
1.2



1.3



1.4



1.5



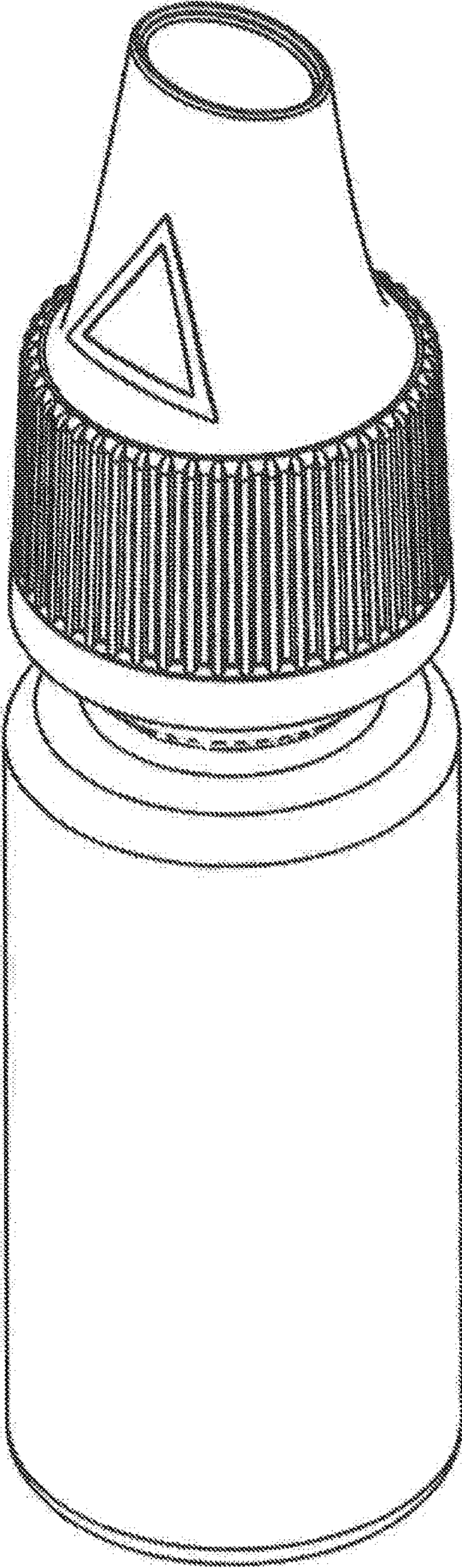
1.6



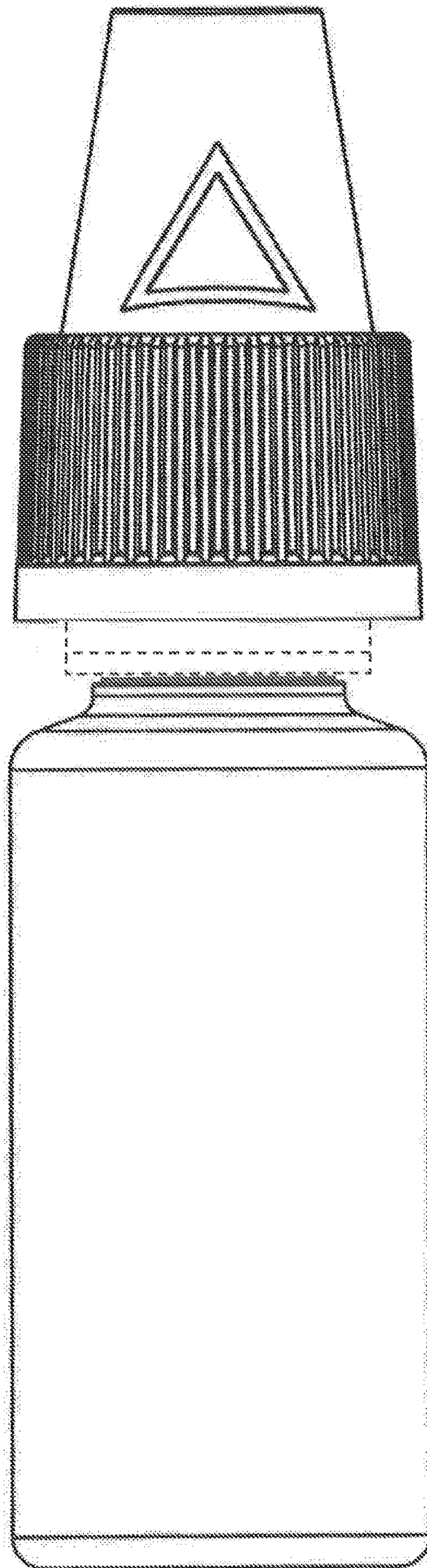
1.7



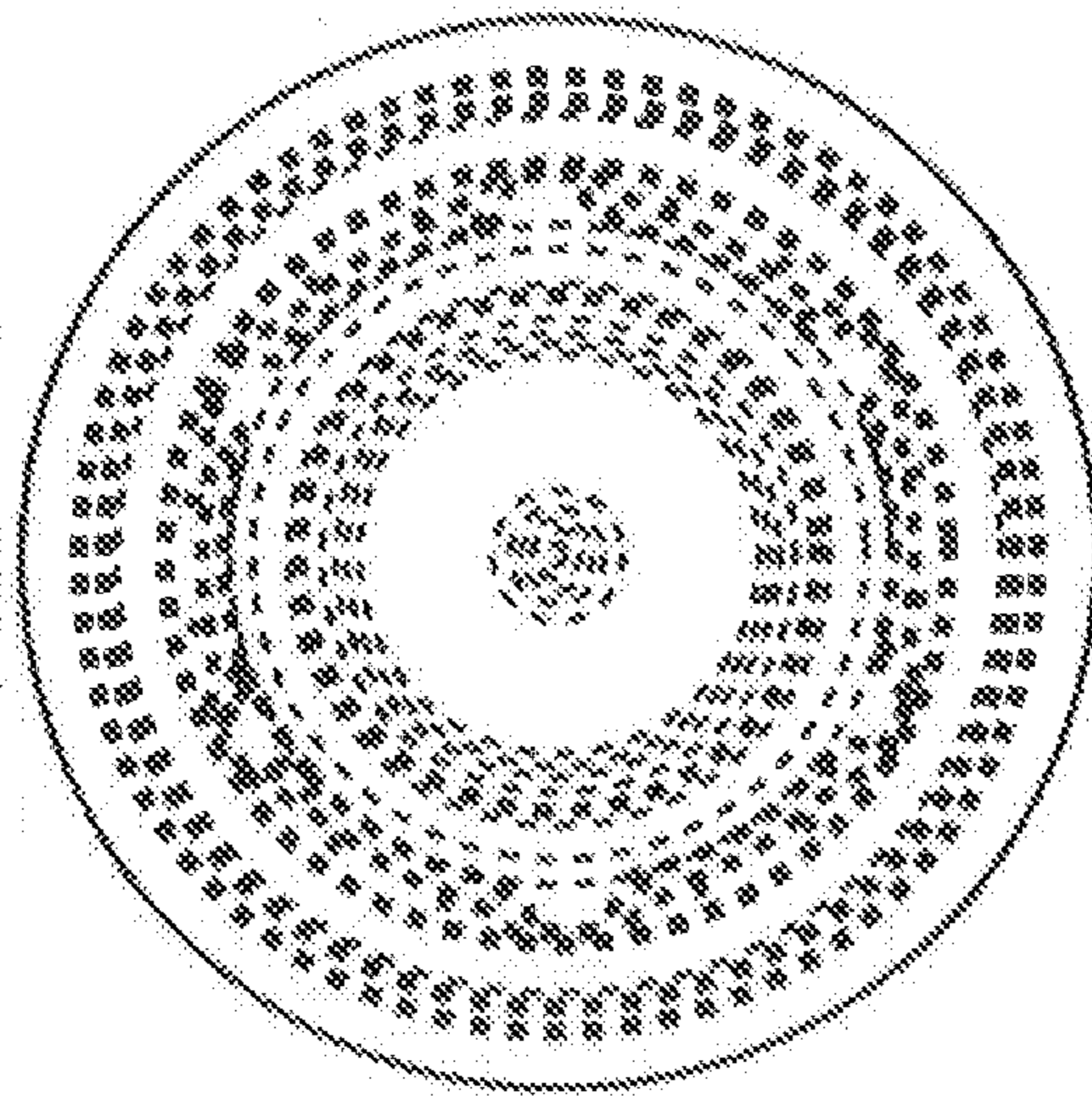
2.1



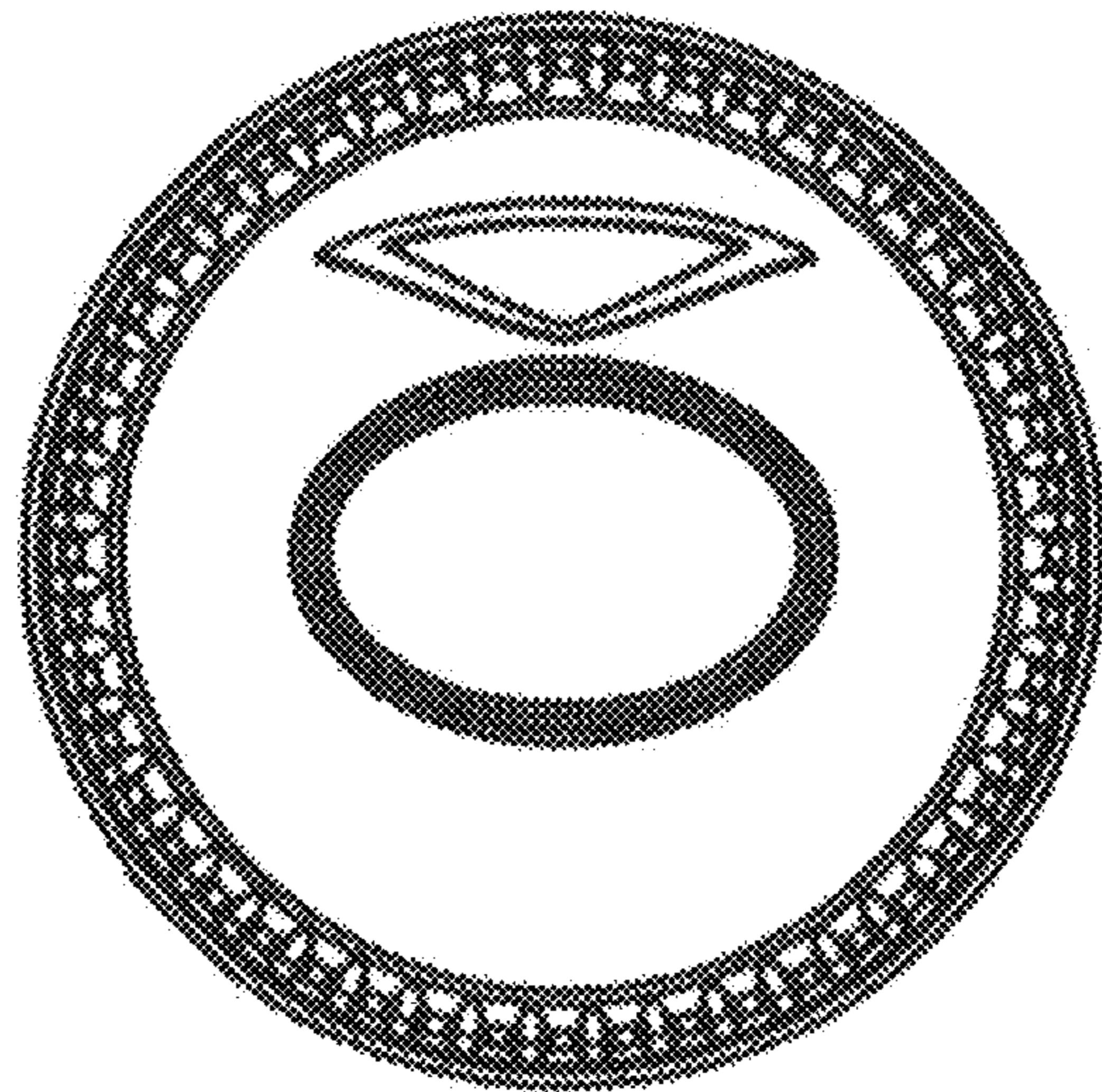
2.2



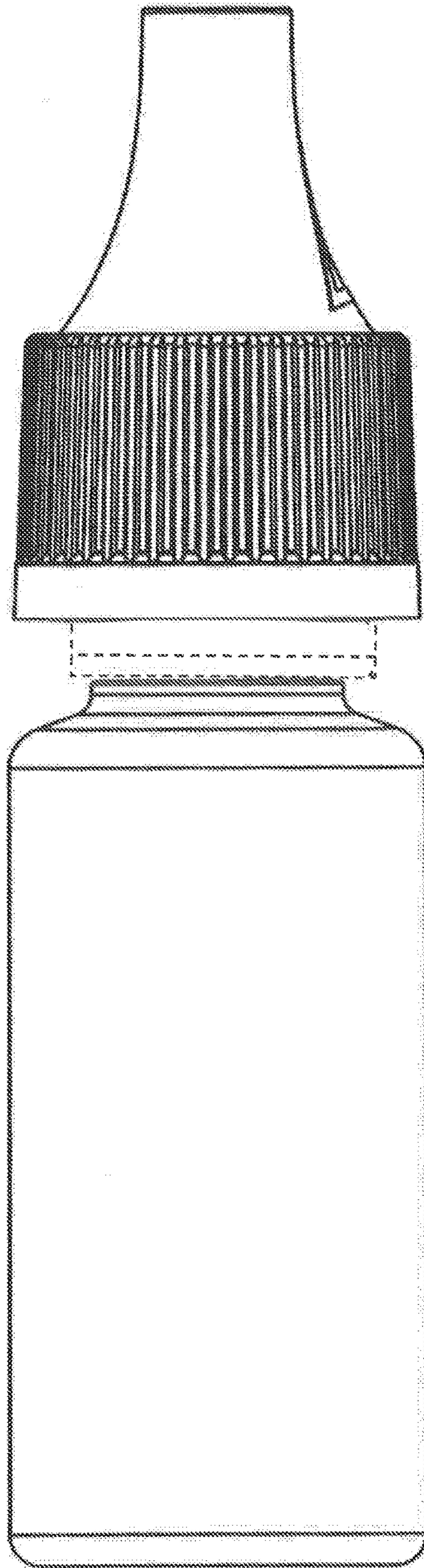
2.3



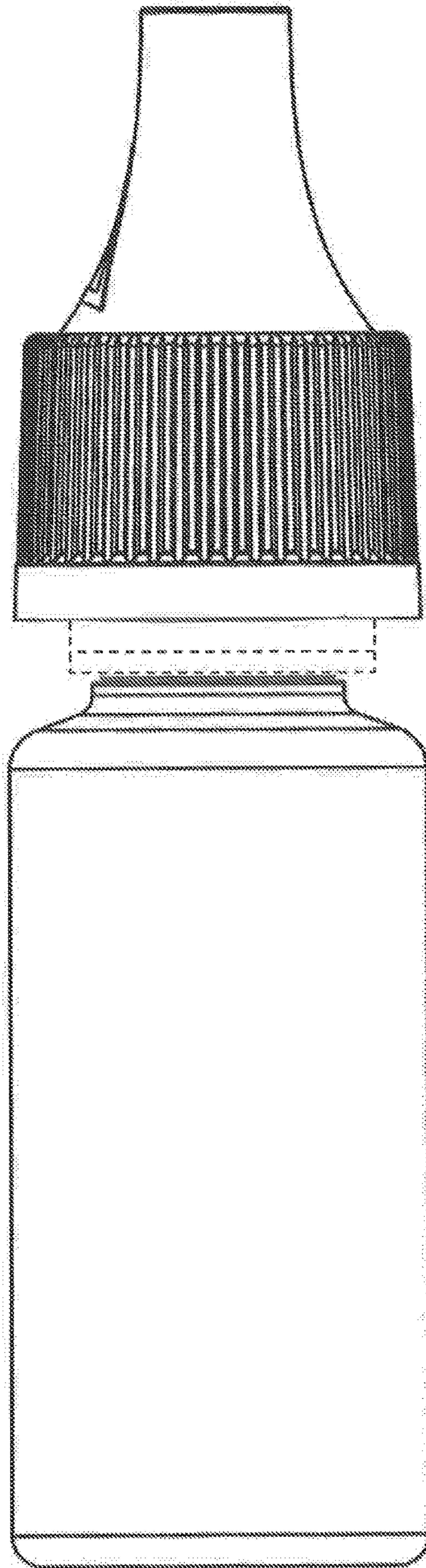
2.4



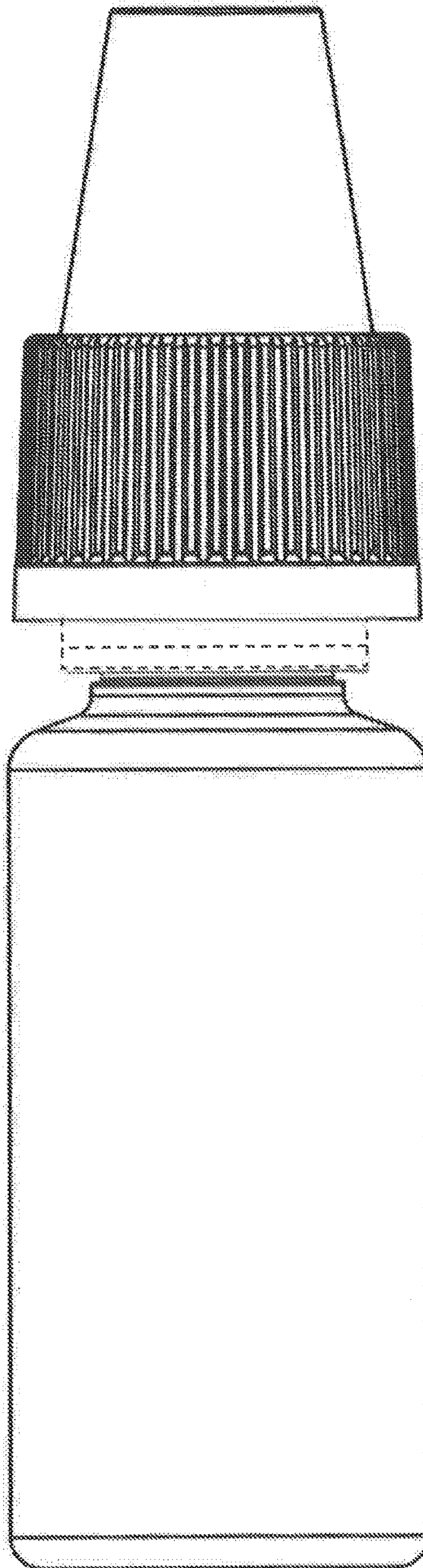
2.5



2.6



2.7



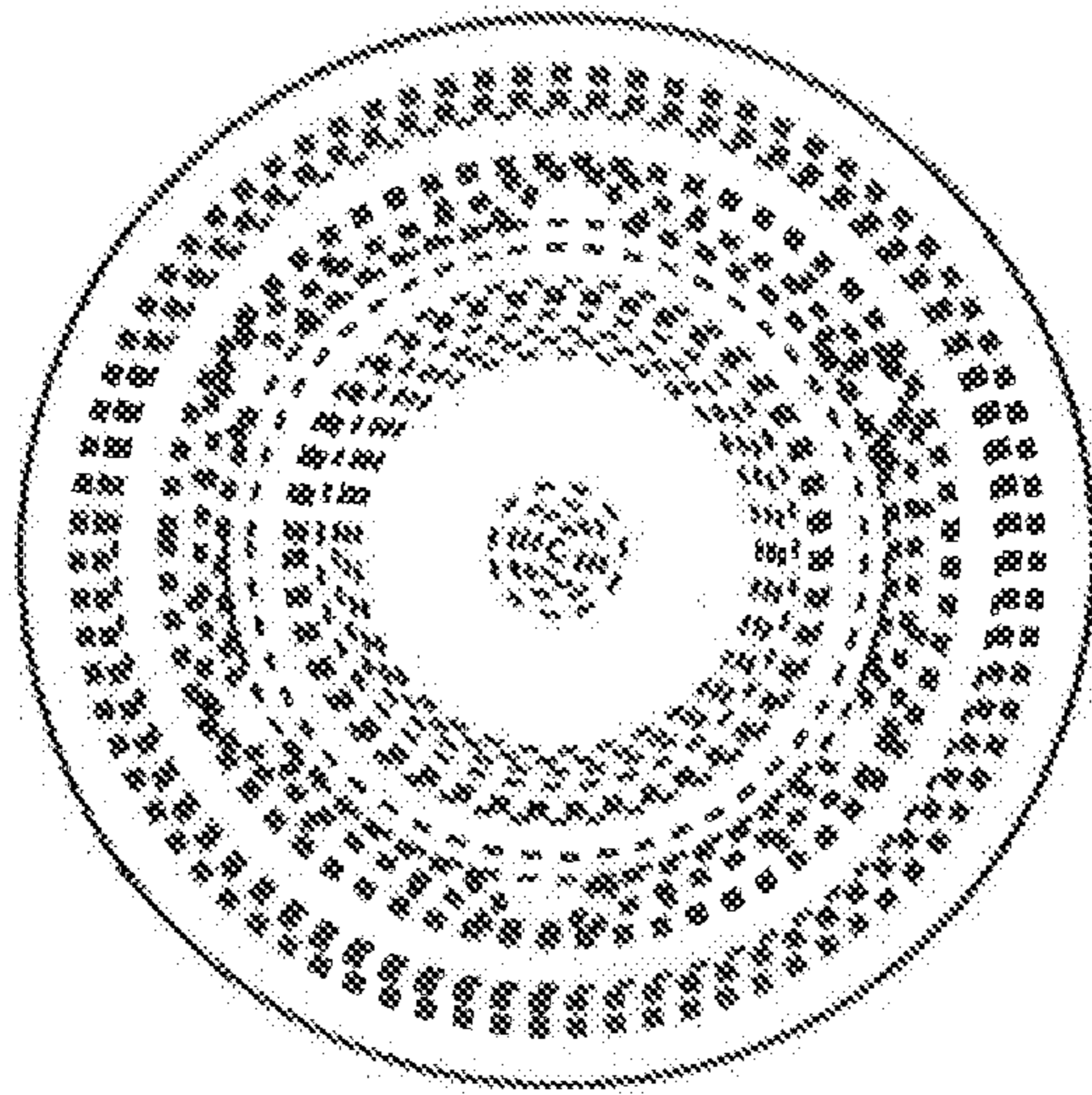
3.1



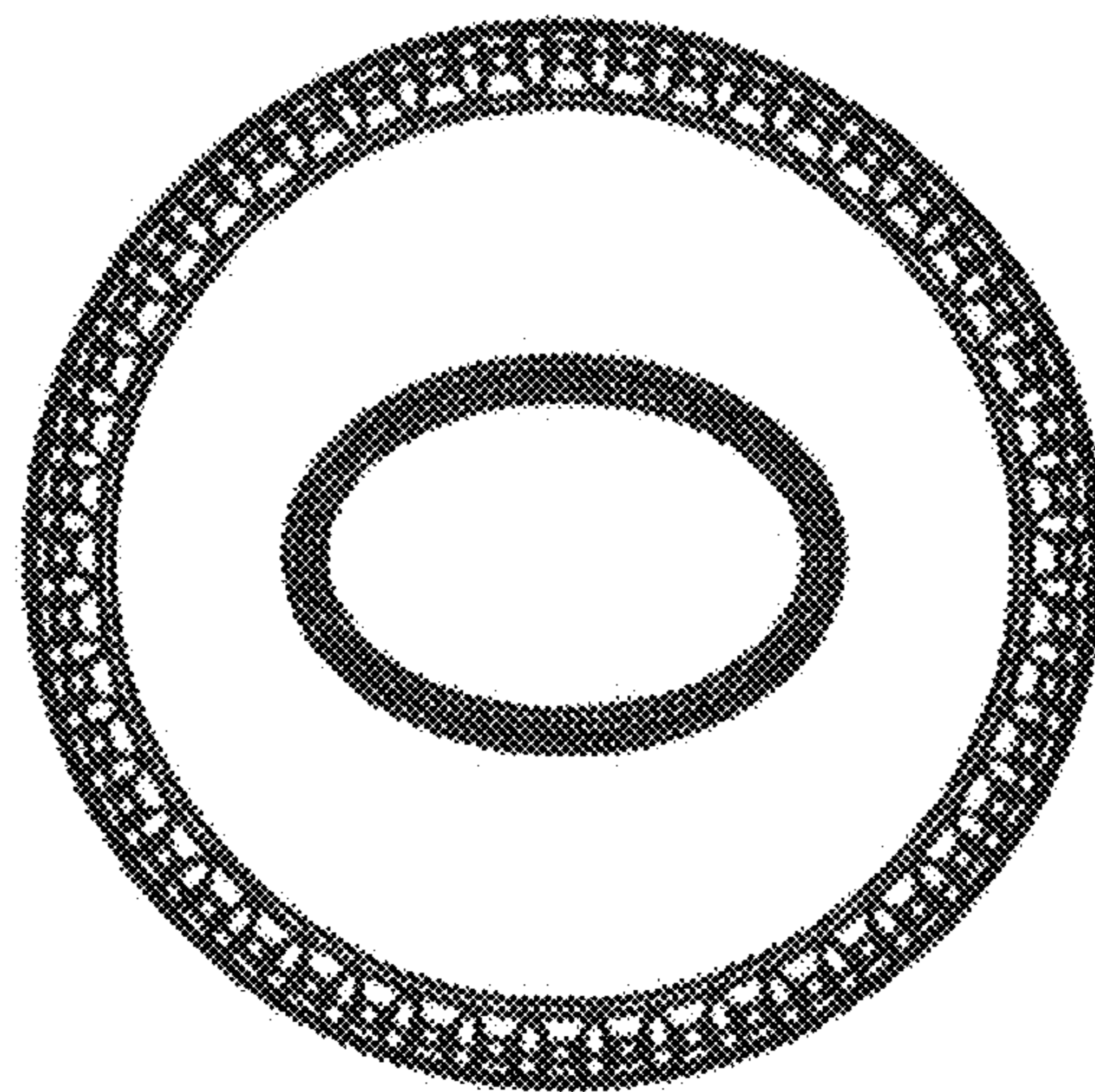
3.2



3.3



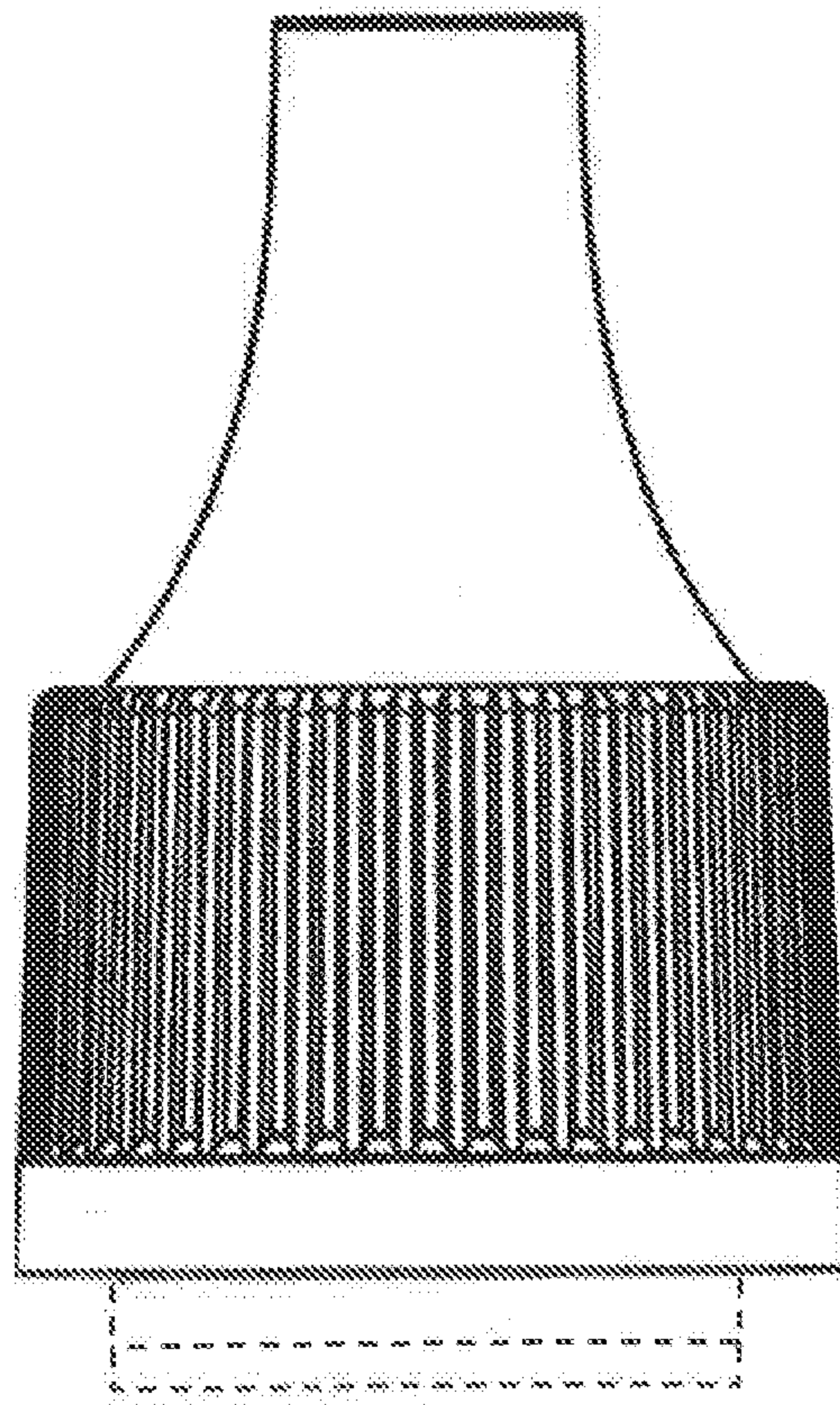
3.4



3.5



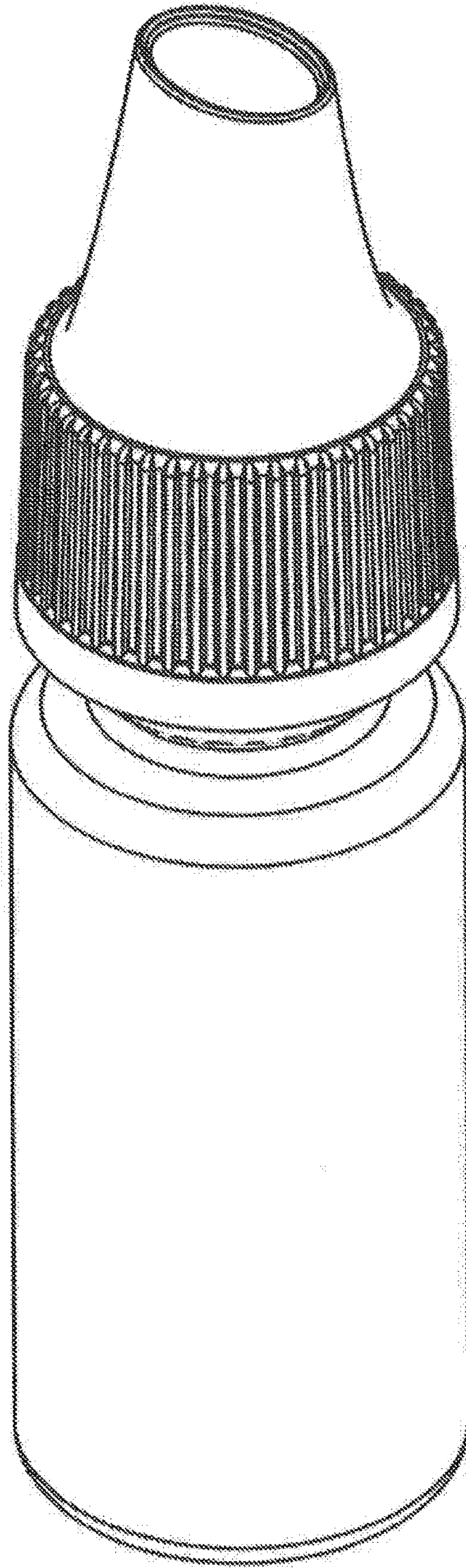
3.6



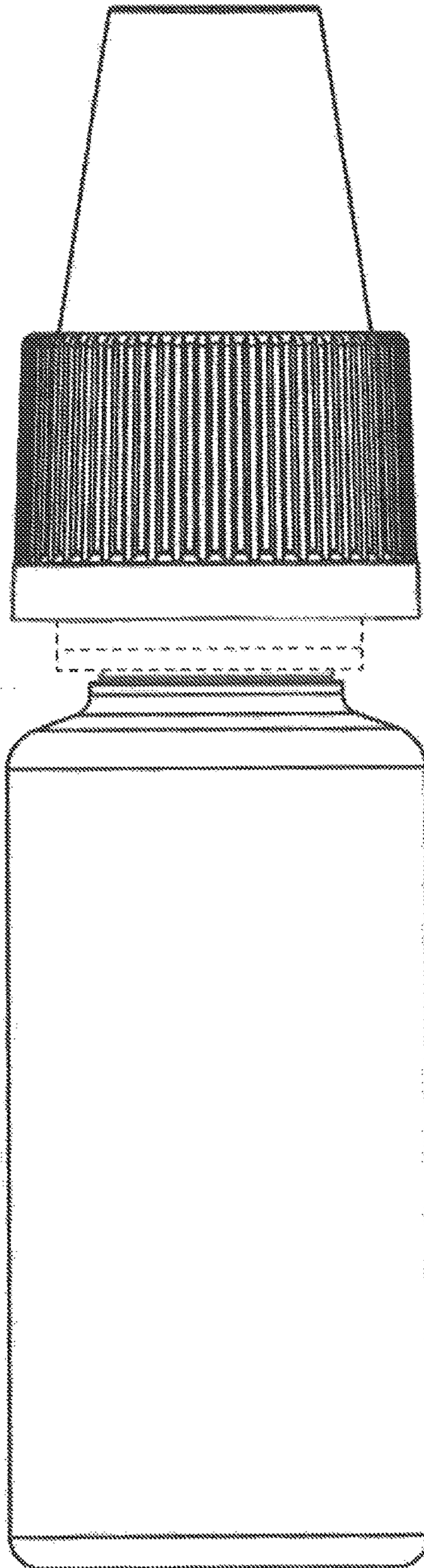
3.7



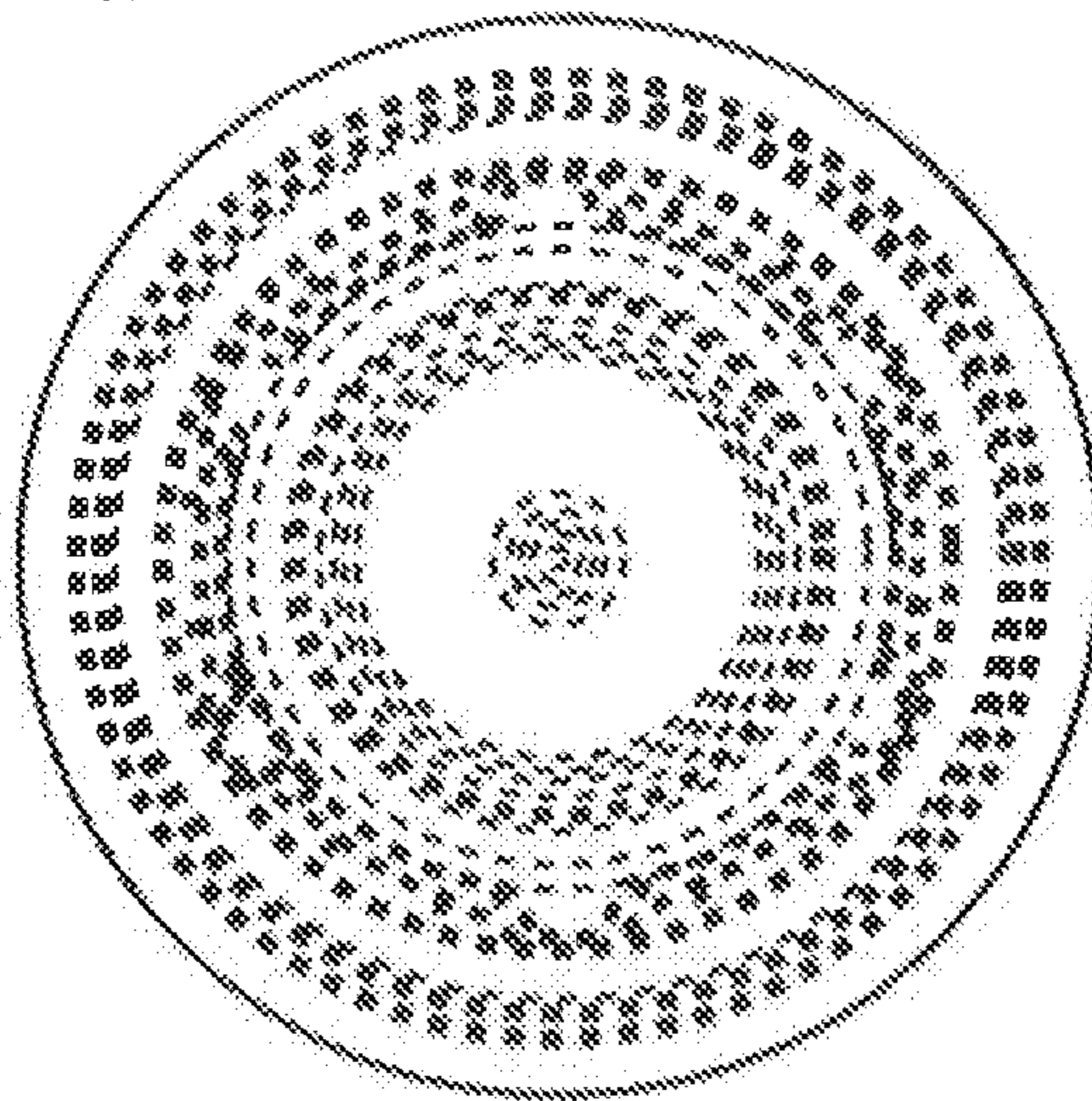
4.1



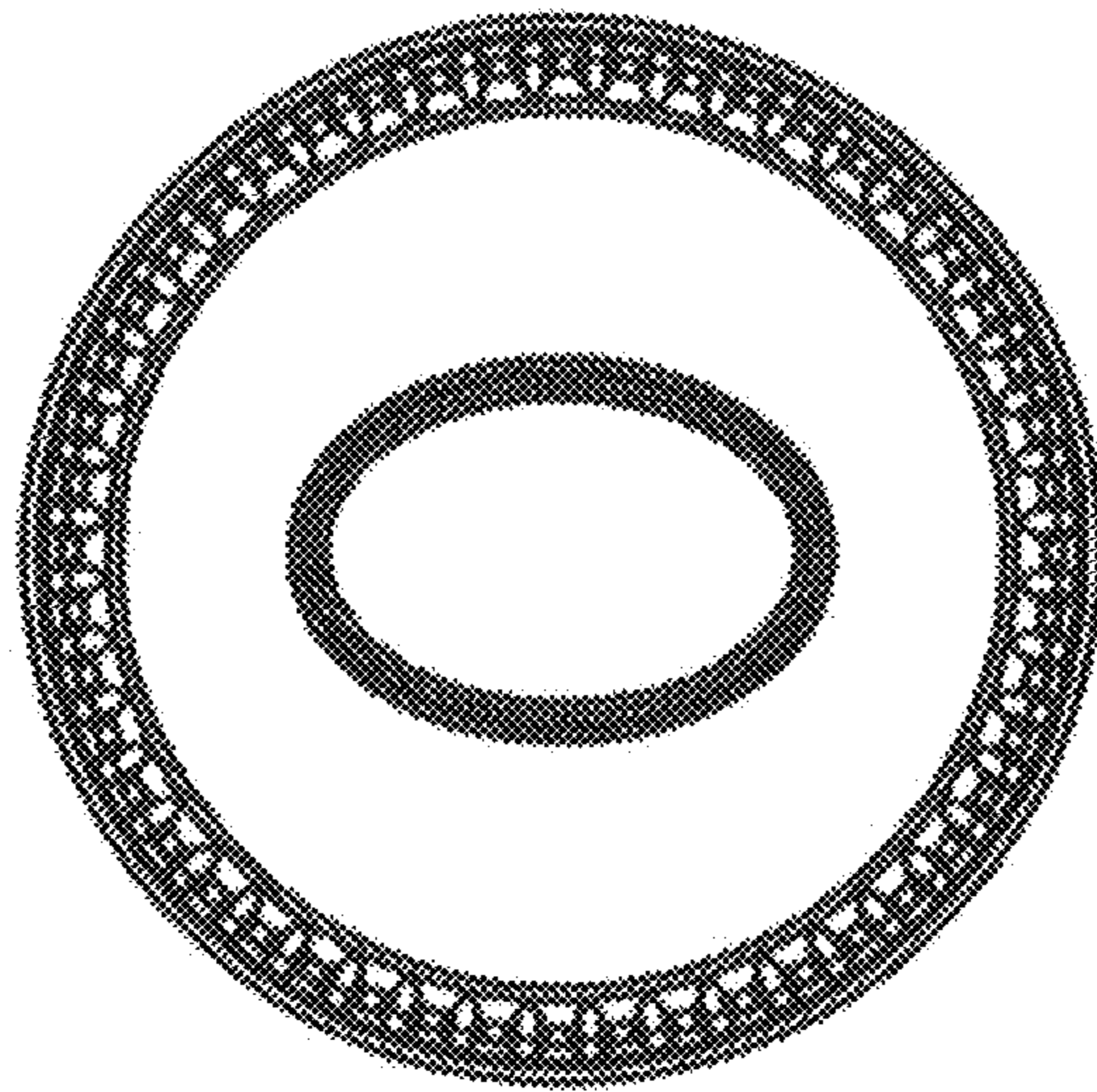
4.2



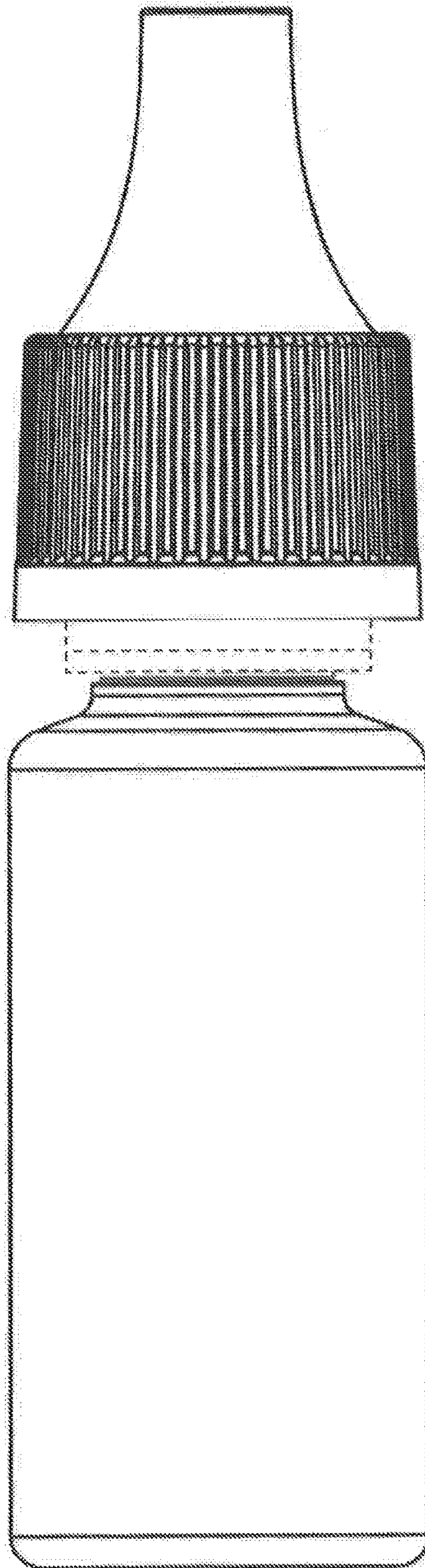
4.3



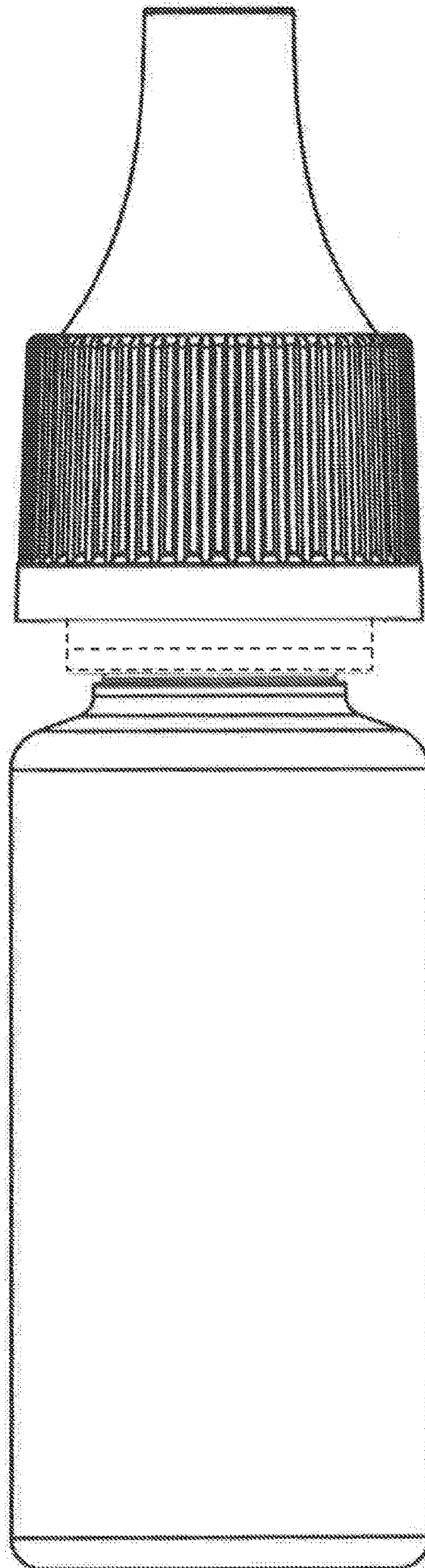
4.4



4.5



4.6



4.7

