



US00D803055S

(12) **United States Design Patent** (10) **Patent No.:** **US D803,055 S**
Luu et al. (45) **Date of Patent:** **** Nov. 21, 2017**

(54) **BOTTLE CAP**

2034/007; A45D 40/0068; A45D 40/0075;
A45D 40/26; A45D 40/262; A45D
40/264; A45D 40/265

(71) Applicant: **LeChat**, Hercules, CA (US)

See application file for complete search history.

(72) Inventors: **Newton Luu**, Hercules, CA (US);
Christina Kleppe, Antioch, CA (US)

(56) **References Cited**

(73) Assignee: **LeChat**, Hercules, CA (US)

U.S. PATENT DOCUMENTS

(**) Term: **15 Years**

6,966,716 B2 *	11/2005	Pink	A45D 34/045
				401/126
D758,737 S *	6/2016	Tan	D4/116
D770,284 S *	11/2016	Luu	D9/452
D770,285 S *	11/2016	Luu	D9/454
D770,295 S *	11/2016	Luu	D9/452
D770,901 S *	11/2016	Luu	D9/452

(21) Appl. No.: **29/583,007**

(22) Filed: **Nov. 1, 2016**

Related U.S. Application Data

(62) Division of application No. 29/494,508, filed on Jun. 20, 2014, now Pat. No. Des. 770,295.

(51) **LOC (10) Cl.** **09-07**

(52) **U.S. Cl.**
USPC **D9/452; D9/454**

(58) **Field of Classification Search**
USPC D9/434-435, 447, 452, 454, 500,
D9/502-504, 516, 529, 530, 537-539,
D9/548-549, 557-558, 682, 686,
D9/688-692, 723; D4/116; D28/7,
D28/76-77, 88

CPC B65D 1/0002; B65D 1/0223; B65D 23/00;
B65D 81/00; B65D 83/00; B65D
2501/00; B65D 2501/0009; A45D 34/00;
A45D 34/42; A45D 34/45; A45D 34/46;
A45D 34/48; A45D 34/06; A45D

* cited by examiner

Primary Examiner — Dana L Meyrow

(74) *Attorney, Agent, or Firm* — Aka Chan LLP

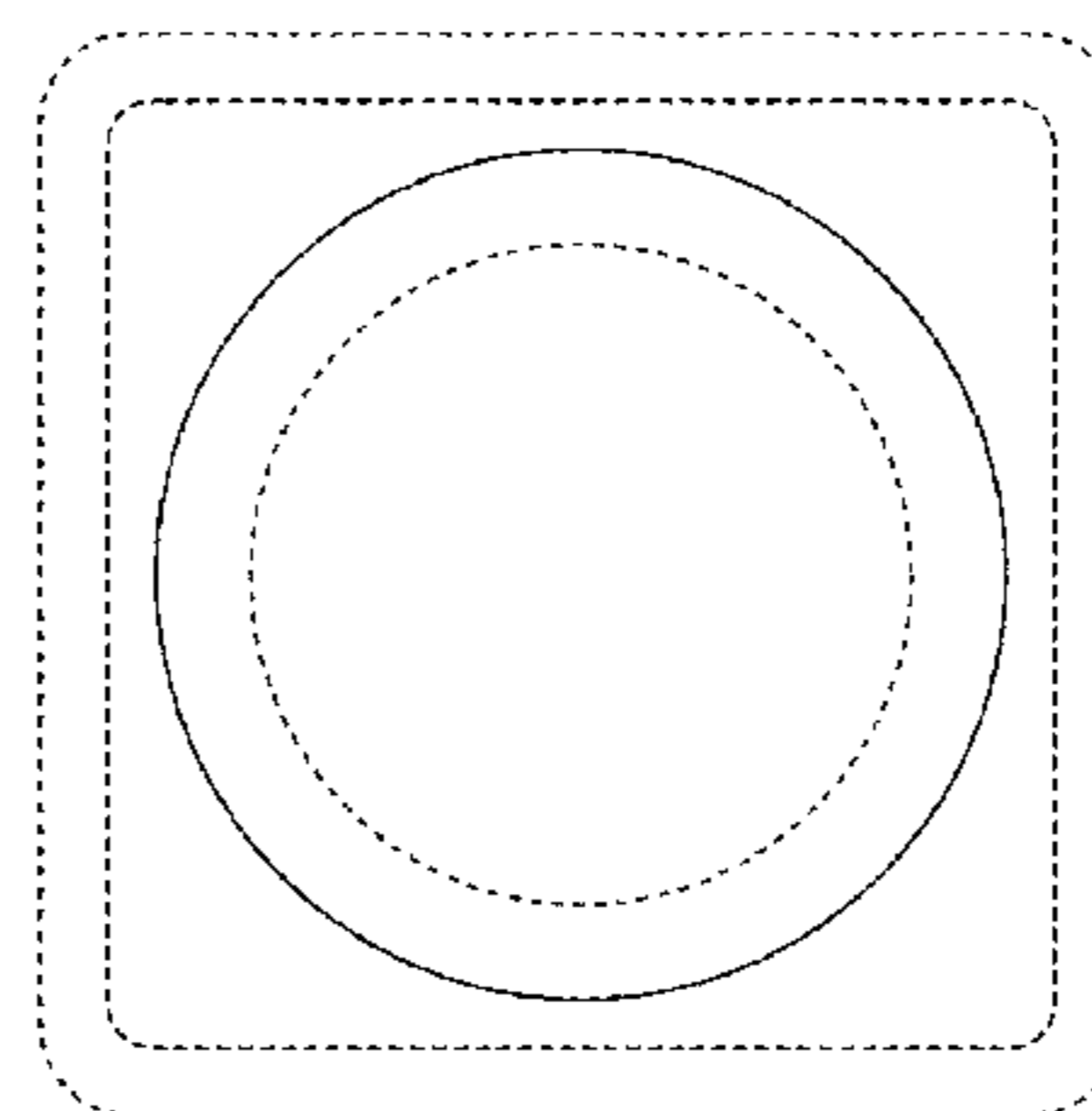
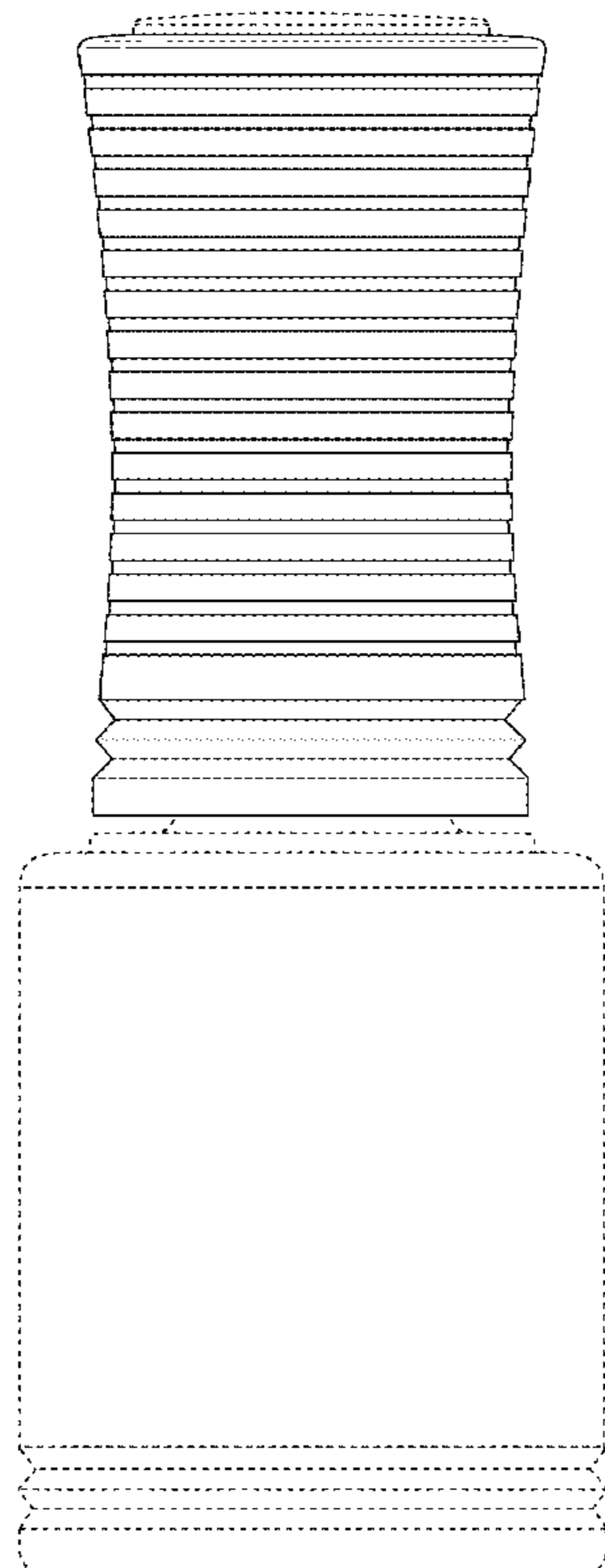
(57) **CLAIM**

The ornamental design for a bottle cap, as shown and described.

DESCRIPTION

FIG. 1 shows a perspective view of a design for a bottle cap. FIG. 2 shows a side view of FIG. 1; and, FIG. 3 shows a top view of FIG. 1. The broken lines in the drawings illustrate the portions of the bottle that form no part of the claim.

1 Claim, 3 Drawing Sheets



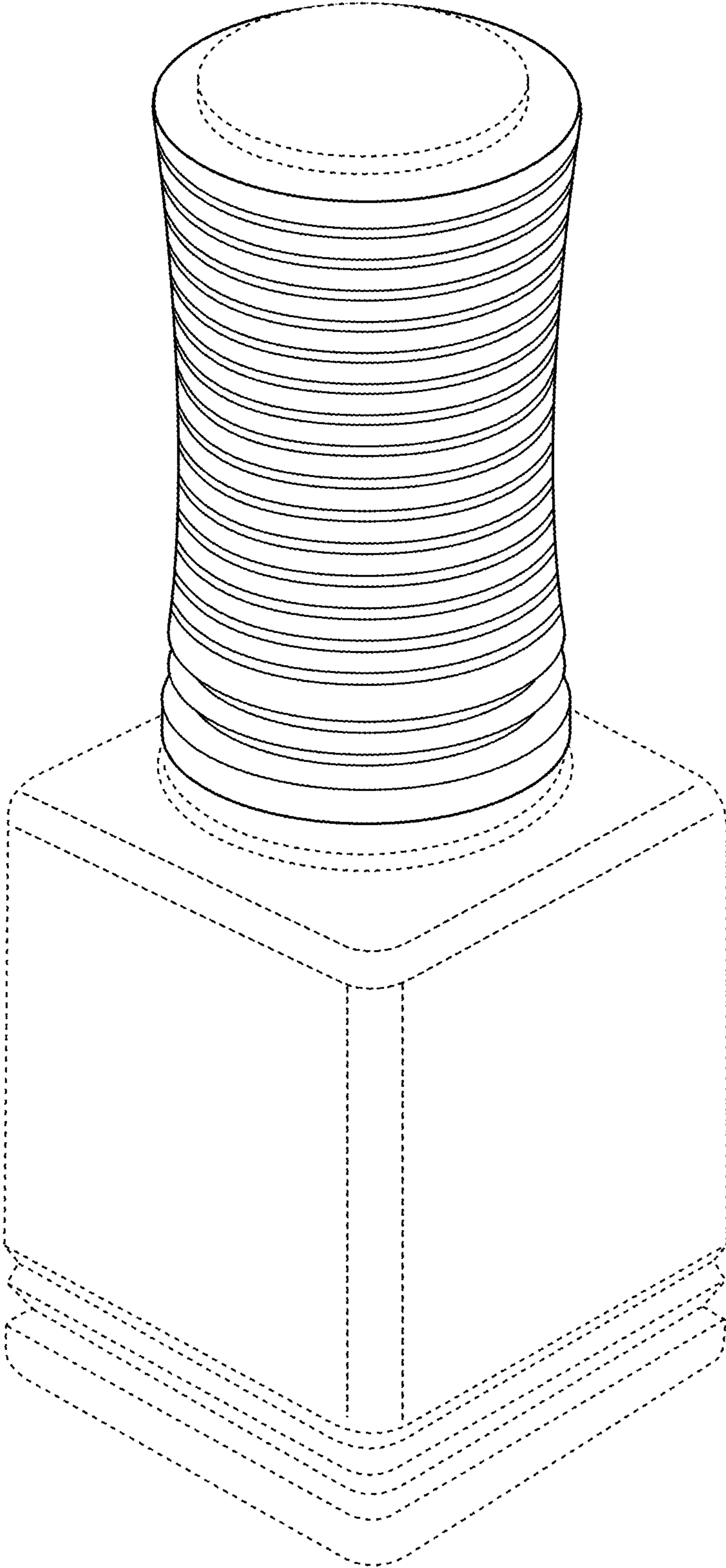


FIG. 1

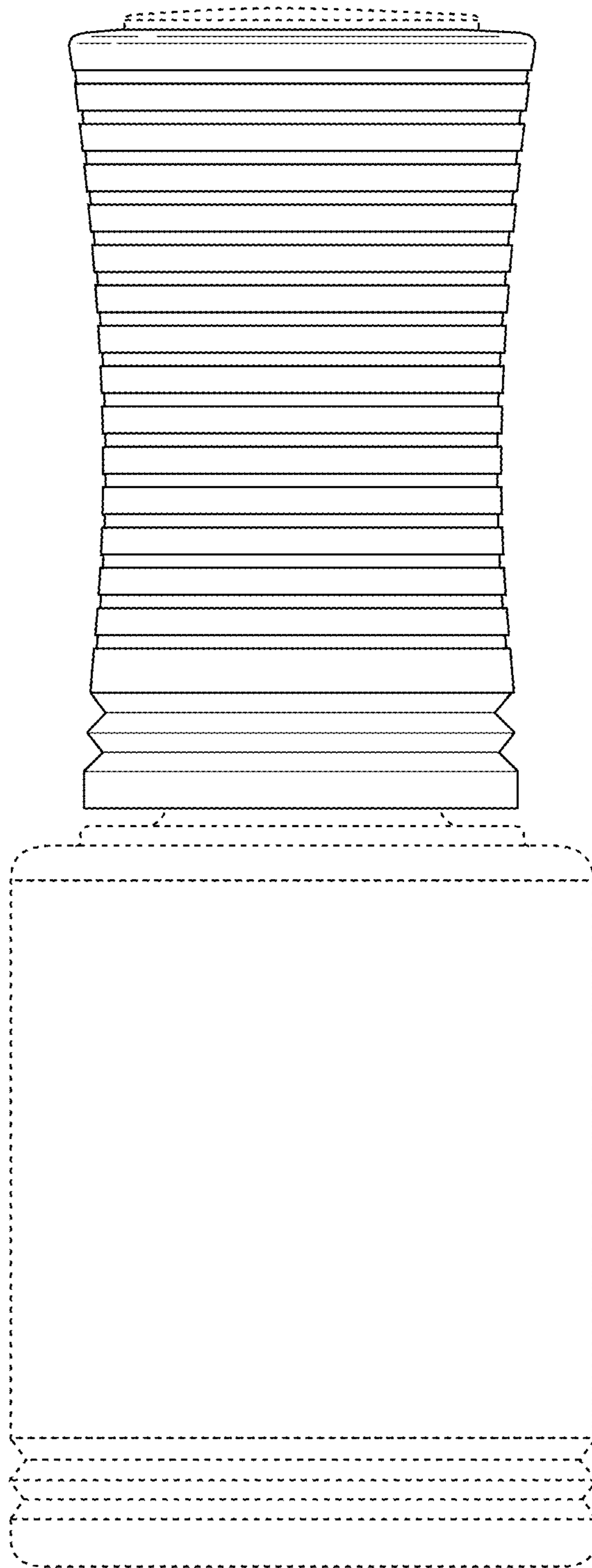


FIG. 2

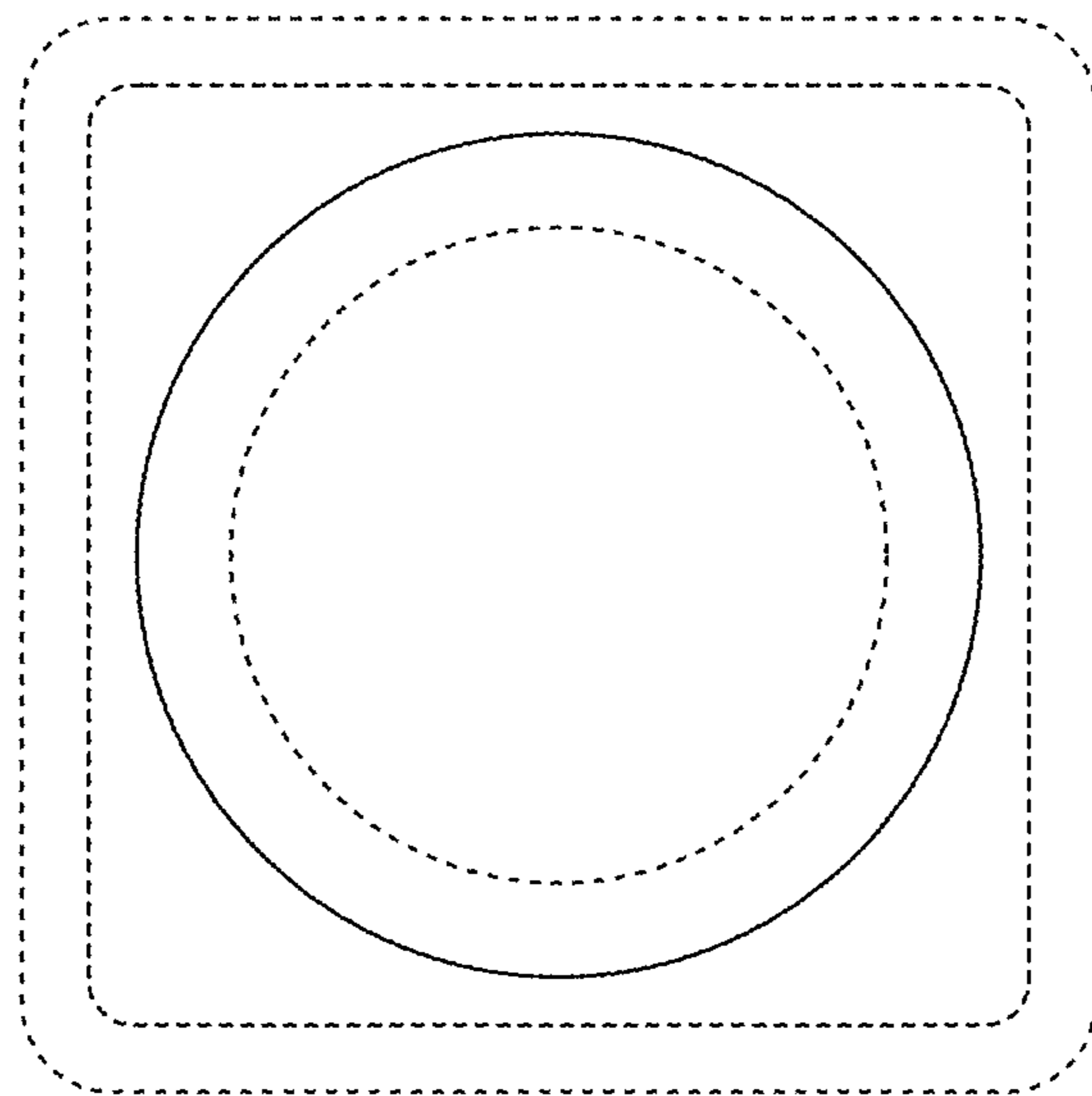


FIG. 3