



US00D803054S

(12) **United States Design Patent** (10) **Patent No.:** **US D803,054 S**
van Spronsen (45) **Date of Patent:** **** Nov. 21, 2017**

(54) **CAP**
(71) Applicant: **IPN IP B.V.**, DC Houten (NL)
(72) Inventor: **Frederik Adriaan van Spronsen**, Geldrop (NL)
(73) Assignee: **IPN IP BV** (NL)
(**) Term: **15 Years**
(21) Appl. No.: **29/573,367**
(22) Filed: **Aug. 4, 2016**
(30) **Foreign Application Priority Data**
Feb. 5, 2016 (EM) 002972943-0001
(51) **LOC (10) Cl.** **09-07**
(52) **U.S. Cl.**
USPC **D9/443**
(58) **Field of Classification Search**
USPC D9/414, 417, 428, 432, 434, 435, D9/443-450, 452-456, 499, 682-685; D7/387, 392, 392.1, 393, 396.1-396.4, D7/398, 401.1, 507, 509-511, 538, 900; D3/202, 294, 318; D28/91.1; D6/580, D6/699, 699.4, 702; D8/349, 354, 382, D8/107, 300, 321, 322; D4/138; D32/35, 40
CPC .. A61J 1/00; A61J 1/1412; B65D 1/00; B65D 1/02; B65D 1/10; B65D 1/46; B65D 2585/56; B65D 2585/545; B65D 41/00; B65D 41/38; B65D 41/56; B65D 41/62; B65D 47/00; B65D 47/06; B65D 47/08; B65D 2543/00046; B65D 2543/00092; B65D 2543/00296; B65D 5/46; B65D 2251/00
See application file for complete search history.

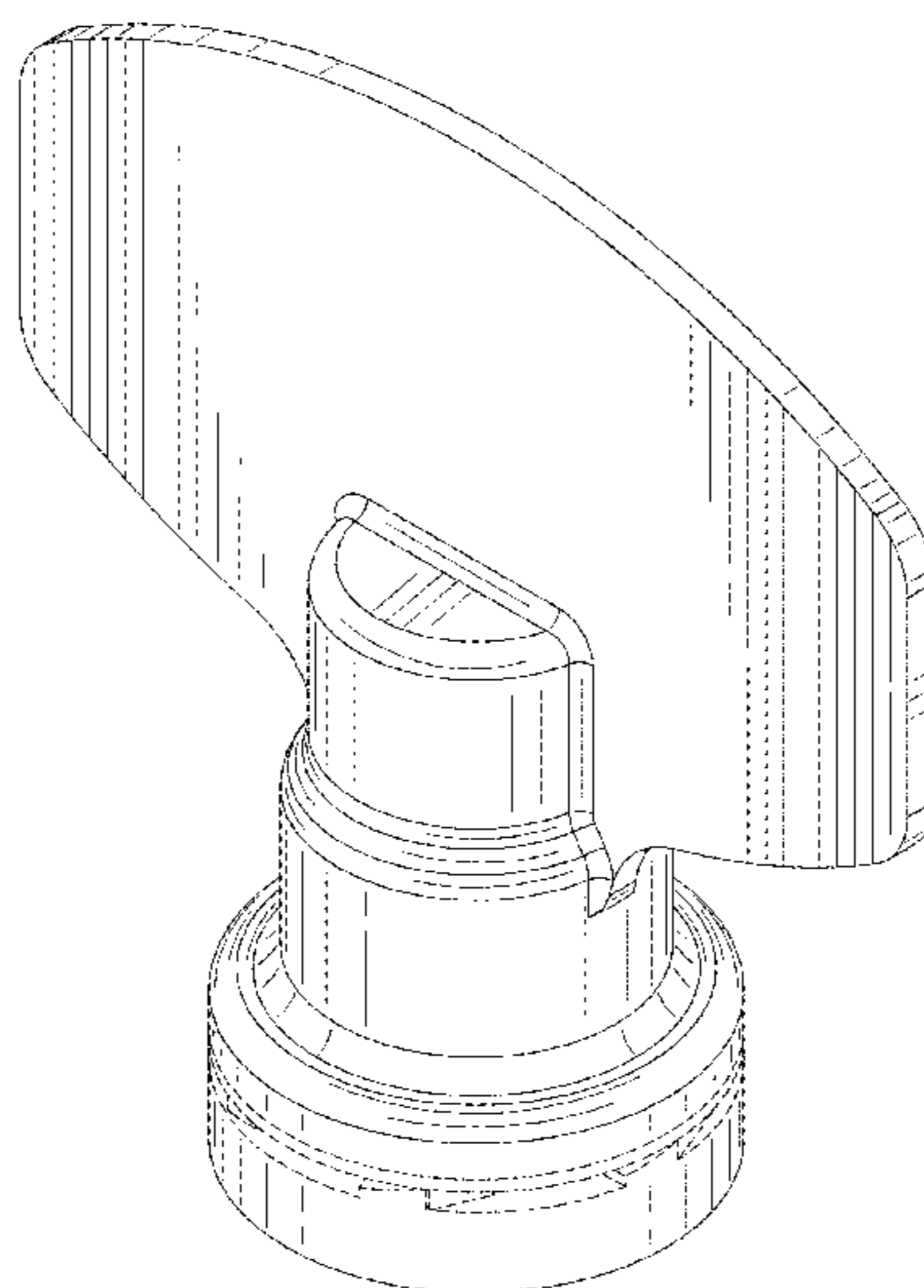
(56) **References Cited**
U.S. PATENT DOCUMENTS
D35,580 S * 1/1902 Meinecke D9/439
D75,852 S * 7/1928 Lelong D9/542
D87,342 S * 7/1932 Guerlain D9/545
D169,266 S * 4/1953 Lehmann D19/194
3,045,860 A * 7/1962 Desgagne B65D 51/04
220/254.3
4,569,456 A * 2/1986 Weiler B65D 1/0238
215/251
D351,793 S * 10/1994 Stoller D9/443
D367,613 S * 3/1996 Weiler D24/224
D380,387 S * 7/1997 Weiler D9/520
D381,907 S * 8/1997 King D9/443
D411,451 S * 6/1999 Young D9/443
D451,337 S * 12/2001 Sum D7/387
D544,347 S * 6/2007 Last D9/436
D551,078 S * 9/2007 Last D9/445
D640,553 S * 6/2011 Eiteljorg D9/443
D640,561 S * 6/2011 Seys D9/439
D682,693 S * 5/2013 Cocuzzi D9/443
D704,058 S * 5/2014 Last D9/443

* cited by examiner
Primary Examiner — Karen S Acker
Assistant Examiner — Wendy Arminio
(74) *Attorney, Agent, or Firm* — The Watson I.P. Group, PLC; Jovan N. Jovanovic; Vladan M. Vasiljevic

(57) **CLAIM**
The ornamental design for a cap, as shown and described.

DESCRIPTION
FIG. 1 of the drawings is a perspective view of the cap showing, in particular, the ornamental design thereof; FIG. 2 of the drawings is a front elevational view thereof; FIG. 3 of the drawings is a side elevational view thereof; and, FIG. 4 of the drawings is a top view thereof. The broken lines in the drawings depict portions of the cap that form no part of the claimed design.

1 Claim, 4 Drawing Sheets



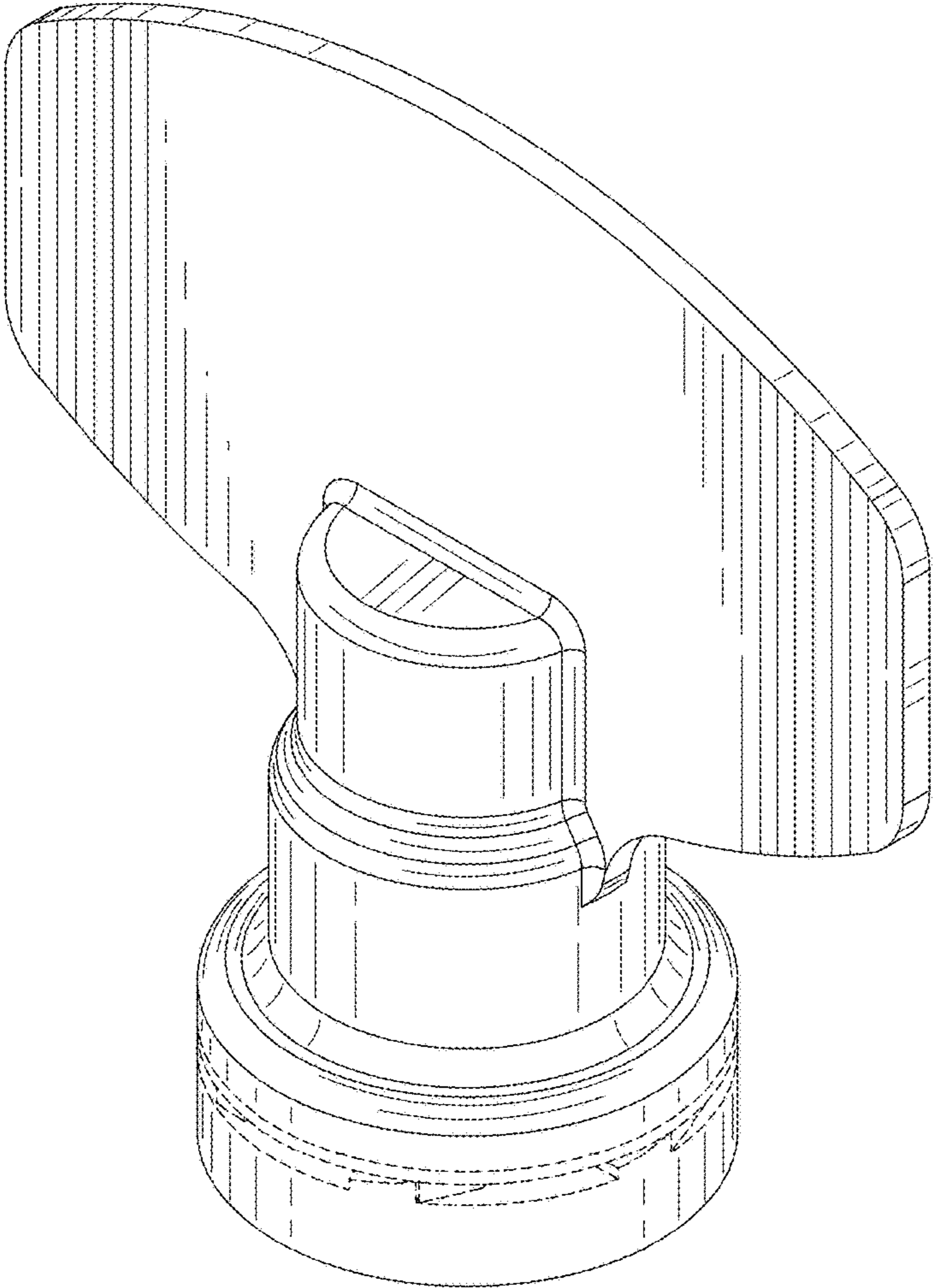


FIG. 1

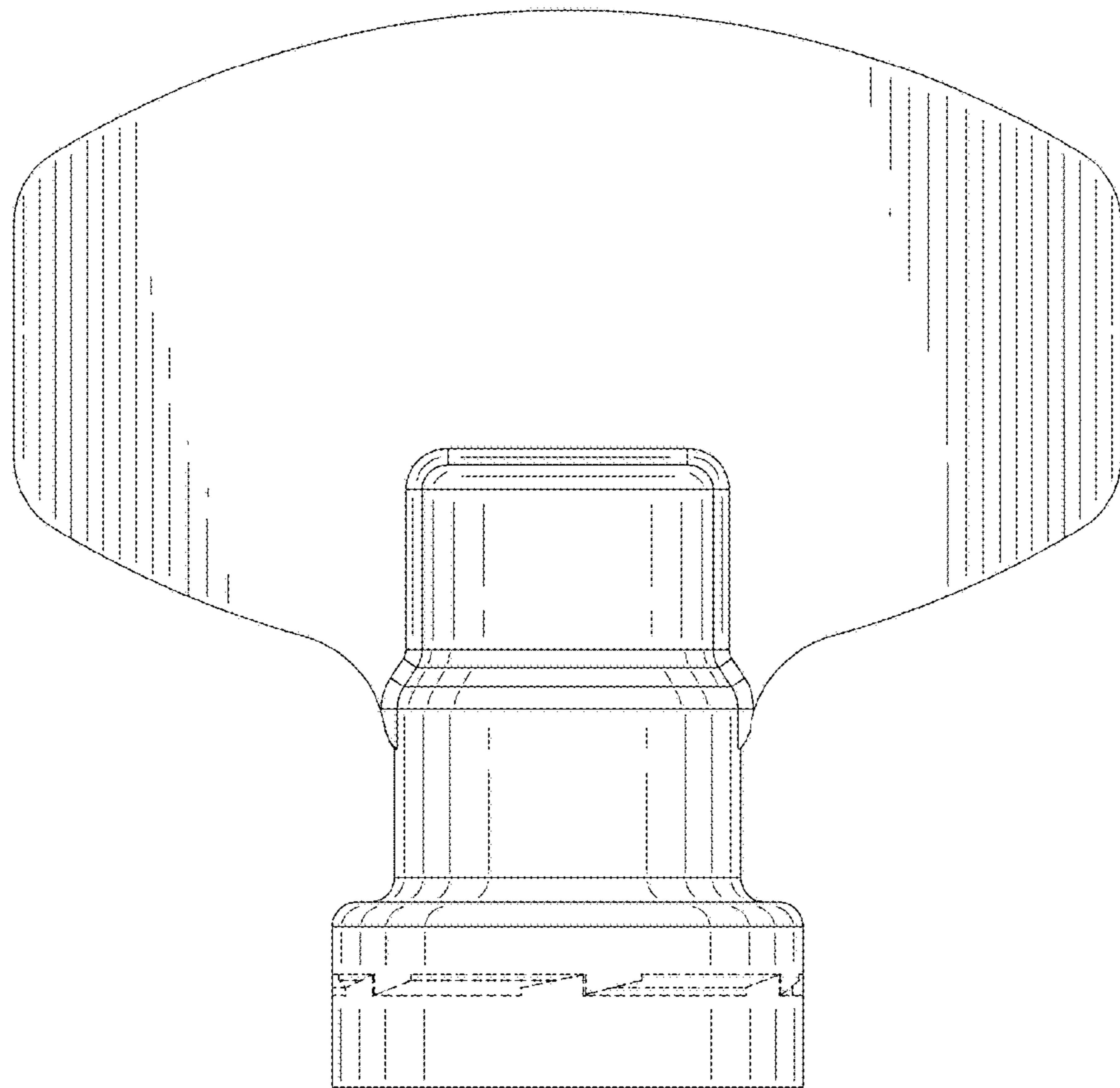


FIG. 2

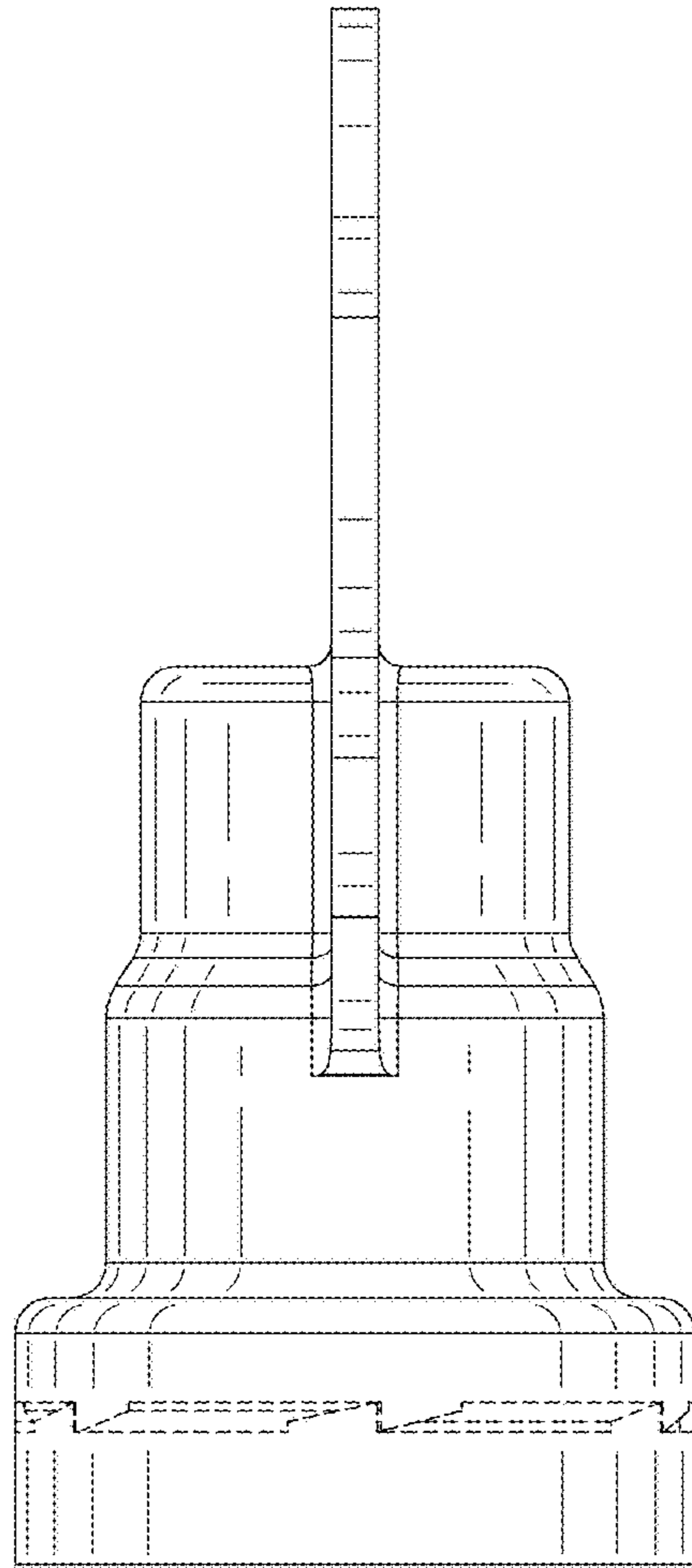


FIG. 3

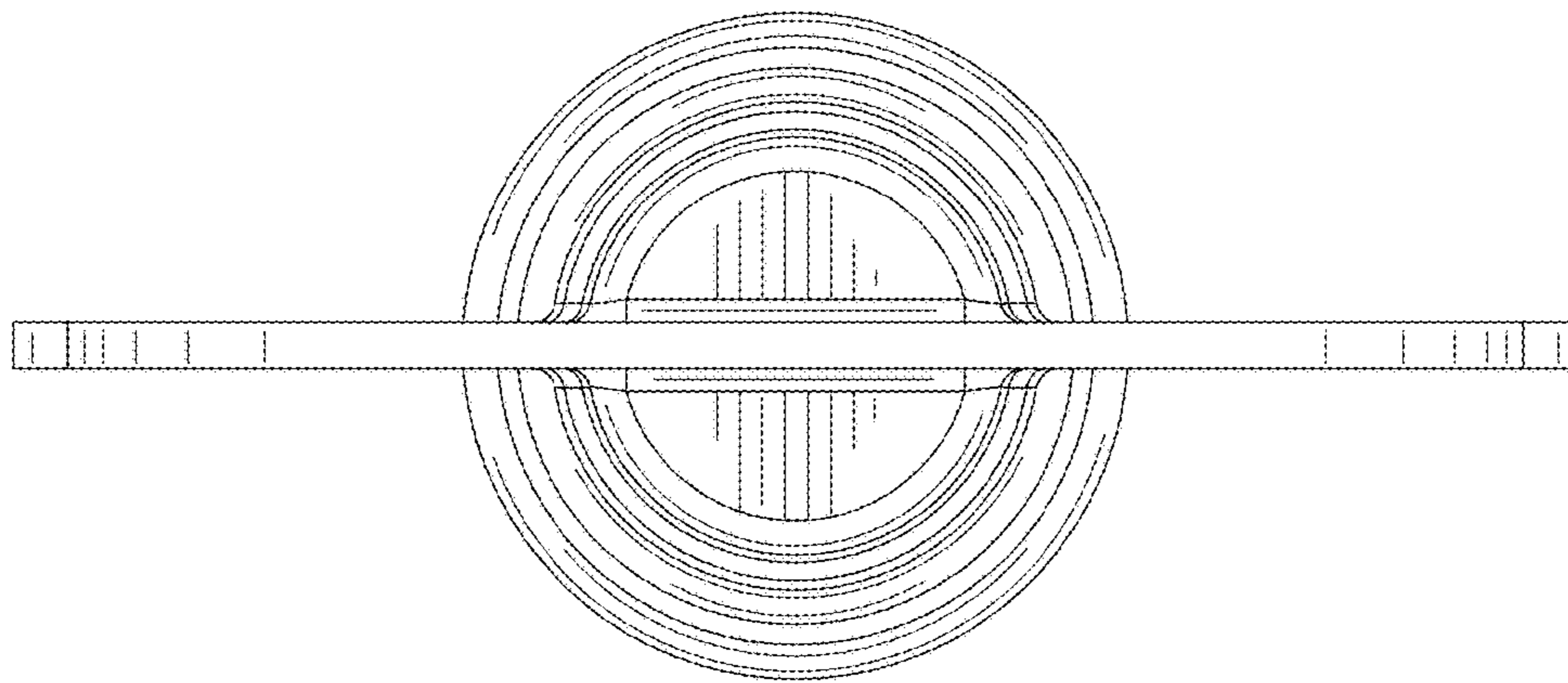


FIG. 4