



US00D803051S

(12) **United States Design Patent**
Engel et al.

(10) **Patent No.:** **US D803,051 S**

(45) **Date of Patent:** **** Nov. 21, 2017**

(54) **BEVERAGE CONTAINER LID**

- (71) Applicant: **SnackTops, Inc.**, Carlsbad, CA (US)
- (72) Inventors: **Jeff Engel**, Encinitas, CA (US); **Allen Tucker**, Vista, CA (US); **Mike Henry**, Carlsbad, CA (US)
- (73) Assignee: **SNACKTOPS, Inc.**, Carlsbad, CA (US)
- (**) Term: **15 Years**
- (21) Appl. No.: **29/580,615**
- (22) Filed: **Oct. 11, 2016**
- (51) **LOC (10) Cl.** **09-07**
- (52) **U.S. Cl.**
USPC **D9/436; D7/396.2; D9/452**
- (58) **Field of Classification Search**
USPC D7/316, 392, 392.1, 396.2, 397, 510, D7/533; D9/434-436, 438, 439, 440, D9/443, 444, 447-450, 452-454, 499, D9/549, 715, 717-719; D23/260, 269, D23/390
CPC B65D 2543/00046; B65D 47/08
See application file for complete search history.

(56) **References Cited**

U.S. PATENT DOCUMENTS

D124,041 S *	12/1940	Nash	D9/453
D124,623 S *	1/1941	Jung	D9/453
D145,512 S *	9/1946	Derham	D9/452
D155,260 S *	9/1949	Baron	D9/452
3,411,659 A *	11/1968	Seifert	B65F 1/16 220/212.5
D267,546 S *	1/1983	Manlove	D9/445
D286,508 S *	11/1986	Tilden	222/570
D288,663 S *	3/1987	Thieffry	D9/452
D289,720 S *	5/1987	Maher	D7/396.2
D334,113 S *	3/1993	Lewis	D7/629
D358,294 S *	5/1995	Letica	D7/392.1

(Continued)

OTHER PUBLICATIONS

Perfect Gifts. Snack Top Drinking Cup. 2017 [earliest online date], [site visited Jul. 31, 2017]. Available from Internet, <URL:https://perfectgifts.ng/snack-top-drinking-cup>.*

(Continued)

Primary Examiner — Robert M Spear
Assistant Examiner — Darcey E Heflin

(74) *Attorney, Agent, or Firm* — Mauel de la Cerra

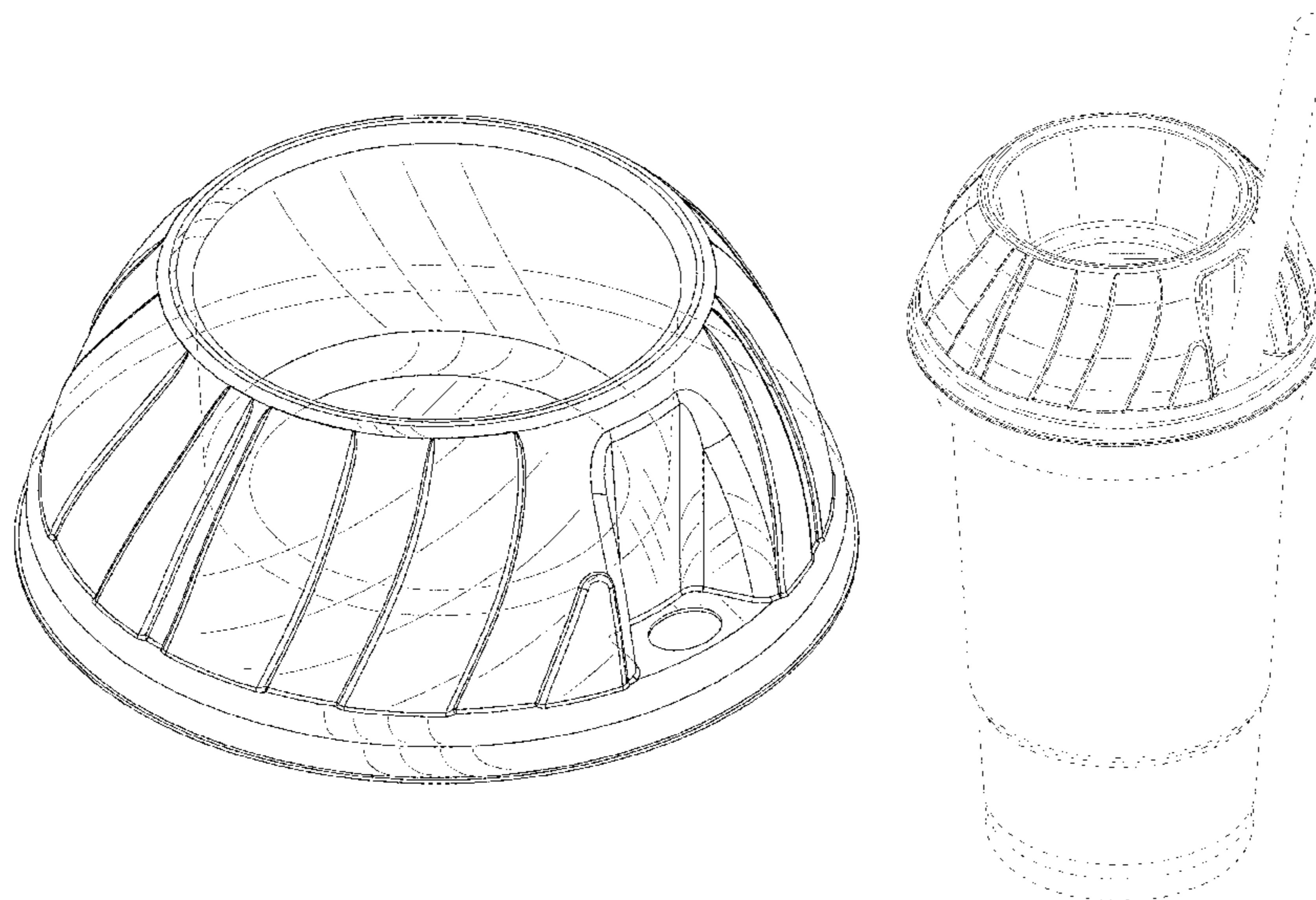
(57) **CLAIM**

The ornamental design for a beverage container lid, as shown and described.

DESCRIPTION

FIG. 1 is a top perspective view of a beverage container lid. FIG. 2 is a bottom perspective view thereof. FIG. 3 is a top perspective view thereof made from transparent material. FIG. 4 is a bottom perspective view thereof made from transparent material. FIG. 5 is a top perspective view of the lid of FIG. 1, wherein the lid is attached to a beverage container and a straw. FIG. 6 is a top view thereof. FIG. 7 is a bottom view thereof. FIG. 8 is a front view thereof. FIG. 9 is a rear view thereof. FIG. 10 is a left-side view thereof; and, FIG. 11 is a right-side view thereof. It is understood that the configuration of all surfaces of the transparent beverage container lid shown in FIGS. 3 and 4 is the same as shown in the plan and elevational views of FIGS. 6-11. The broken lines in FIG. 5 illustrate environmental structures and form no part of the claimed design.

1 Claim, 7 Drawing Sheets



(56)

References Cited

U.S. PATENT DOCUMENTS

D415,681 S	*	10/1999	Yourist	D9/434
D417,847 S	*	12/1999	Rush	D7/629
D424,937 S	*	5/2000	Tucker	D9/435
D474,404 S	*	5/2003	Tropeano	D9/455
D525,127 S	*	7/2006	Cogley	D9/456
D629,641 S	*	12/2010	Kuan	D7/354
D716,653 S	*	11/2014	Balembois	D9/435
D718,136 S	*	11/2014	Harrity	D9/499
D738,725 S	*	9/2015	Isaris	D9/452
D744,335 S	*	12/2015	Rigollet	D9/436

OTHER PUBLICATIONS

Drinkpreneur. Snacktops Introduces Innovative Snack and Beverage Containers. Aug. 25, 2016 [earliest online date], [site visited Jul. 31, 2017]. Available from Internet, <URL:<https://www.drinkpreneur.com/beverage-industry-news/packaging/snacktops-introduces-innovative-snack-and-beverage-containers/>>.*

* cited by examiner

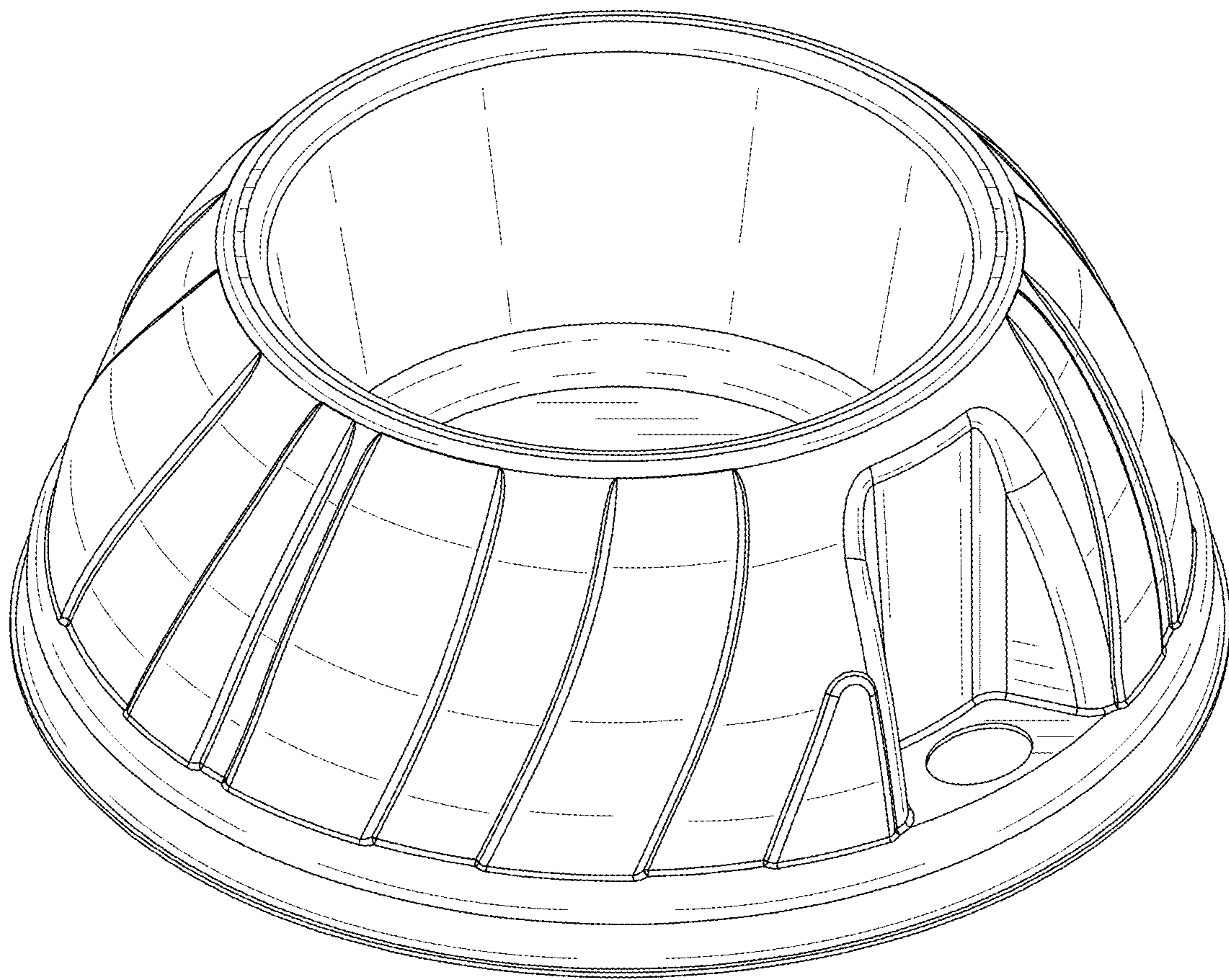


FIG. 1

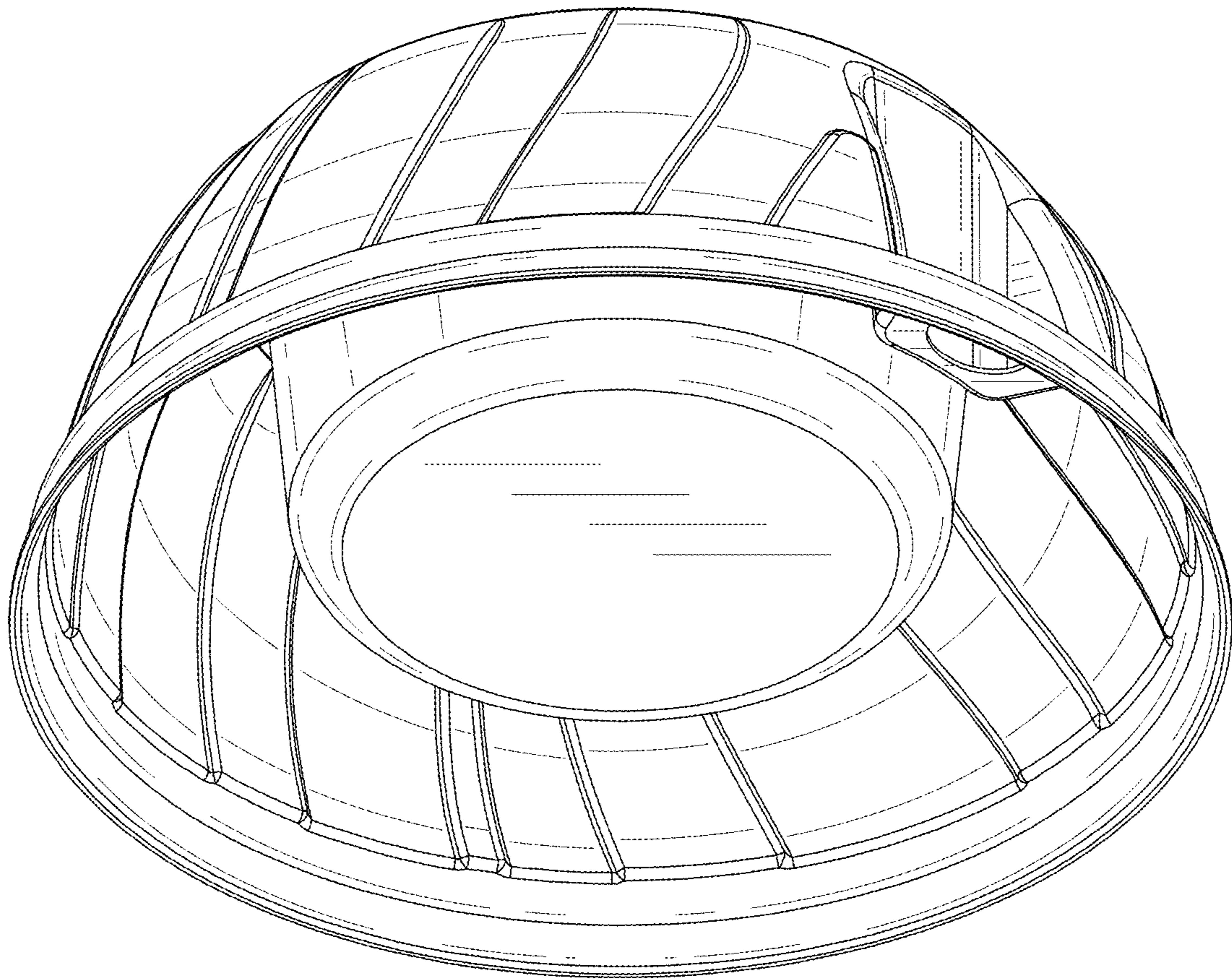


FIG. 2

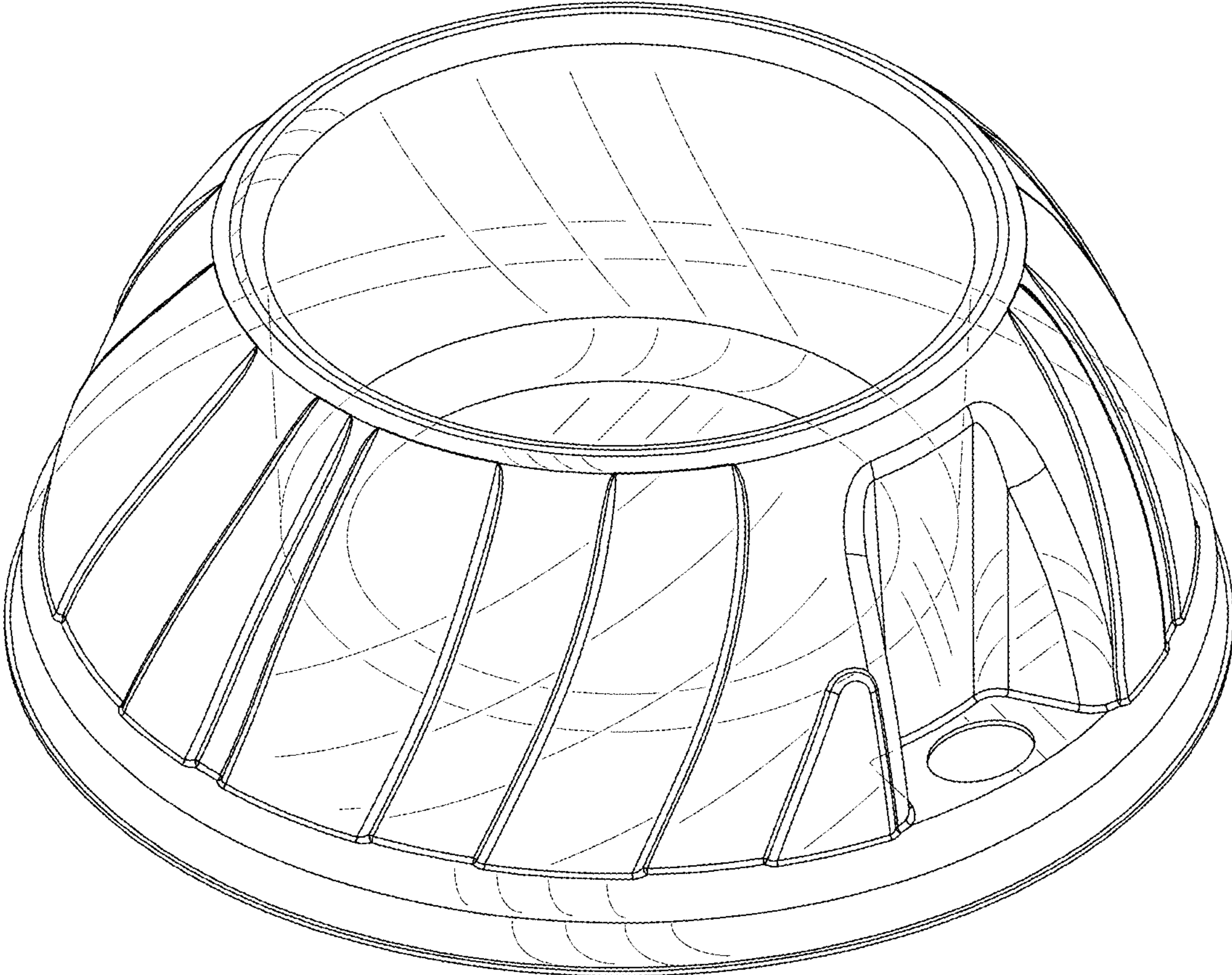


FIG. 3

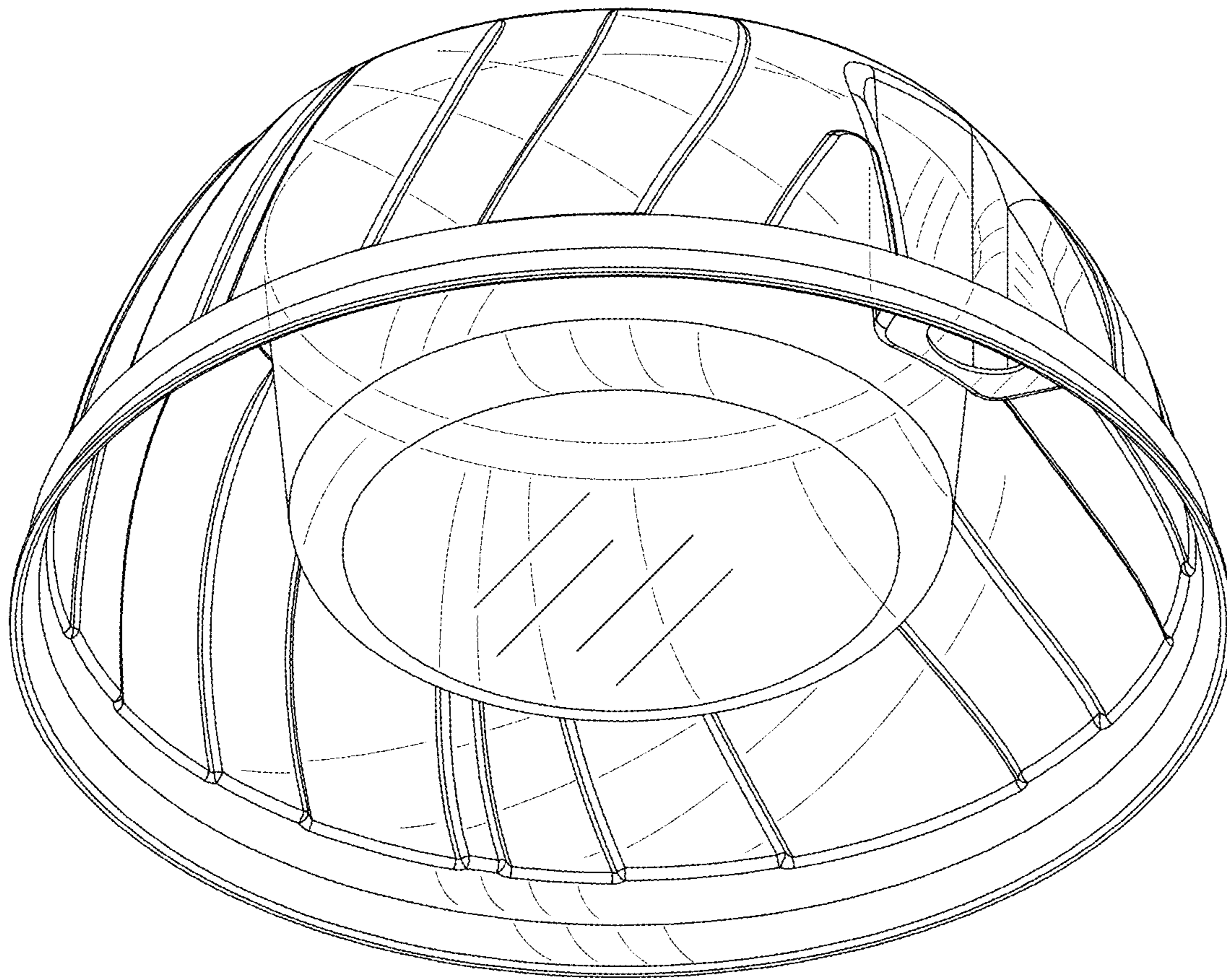


FIG. 4

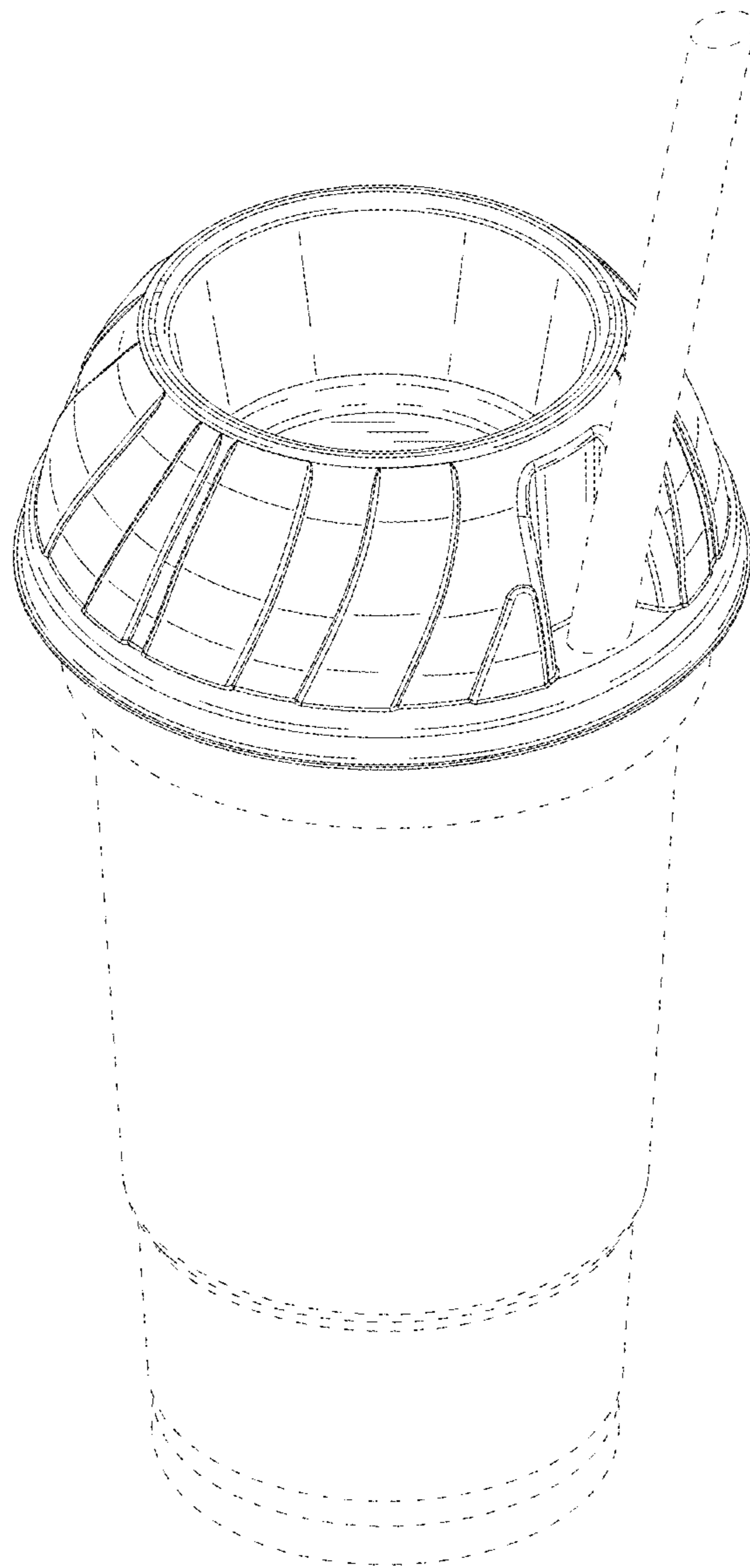


FIG. 5

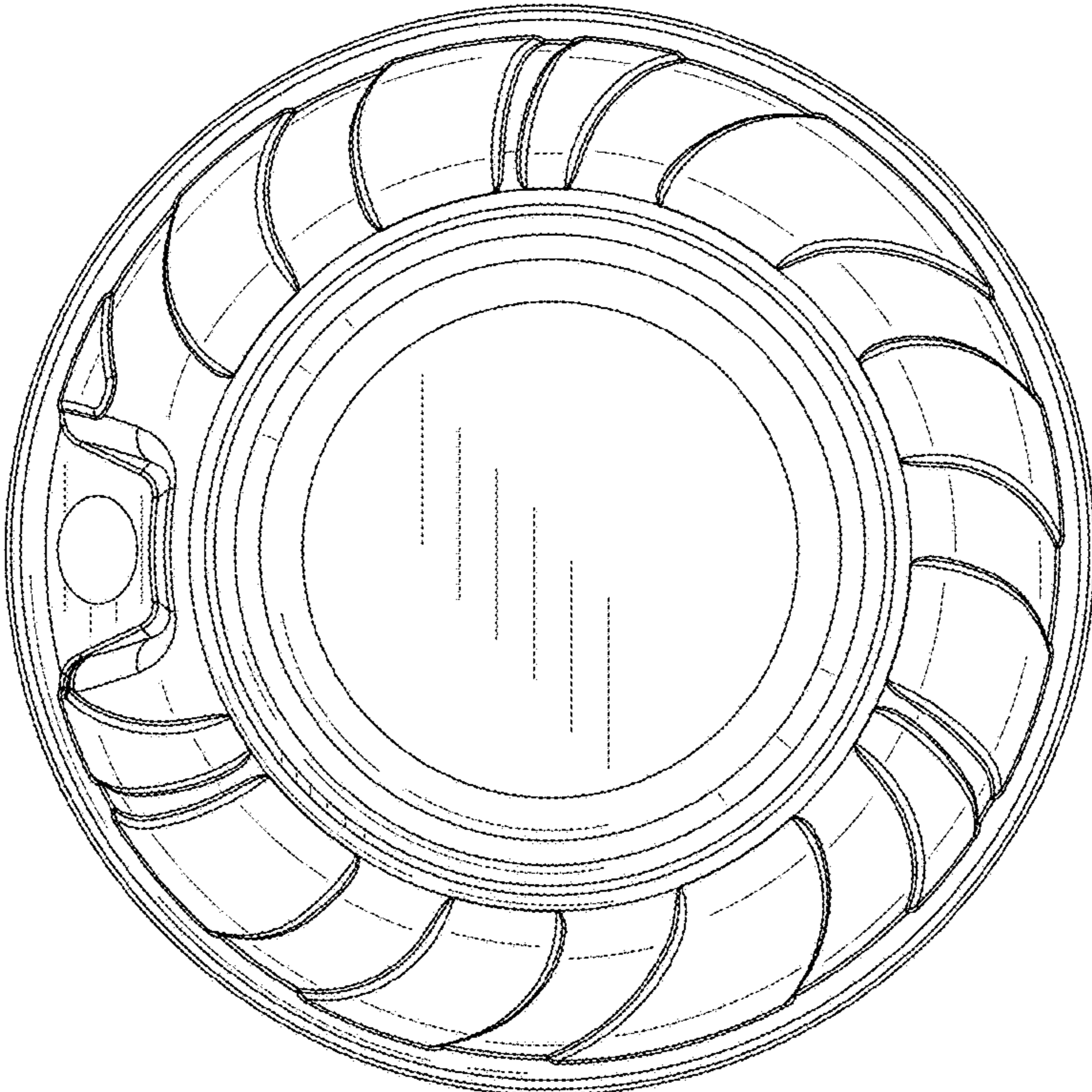


FIG. 6

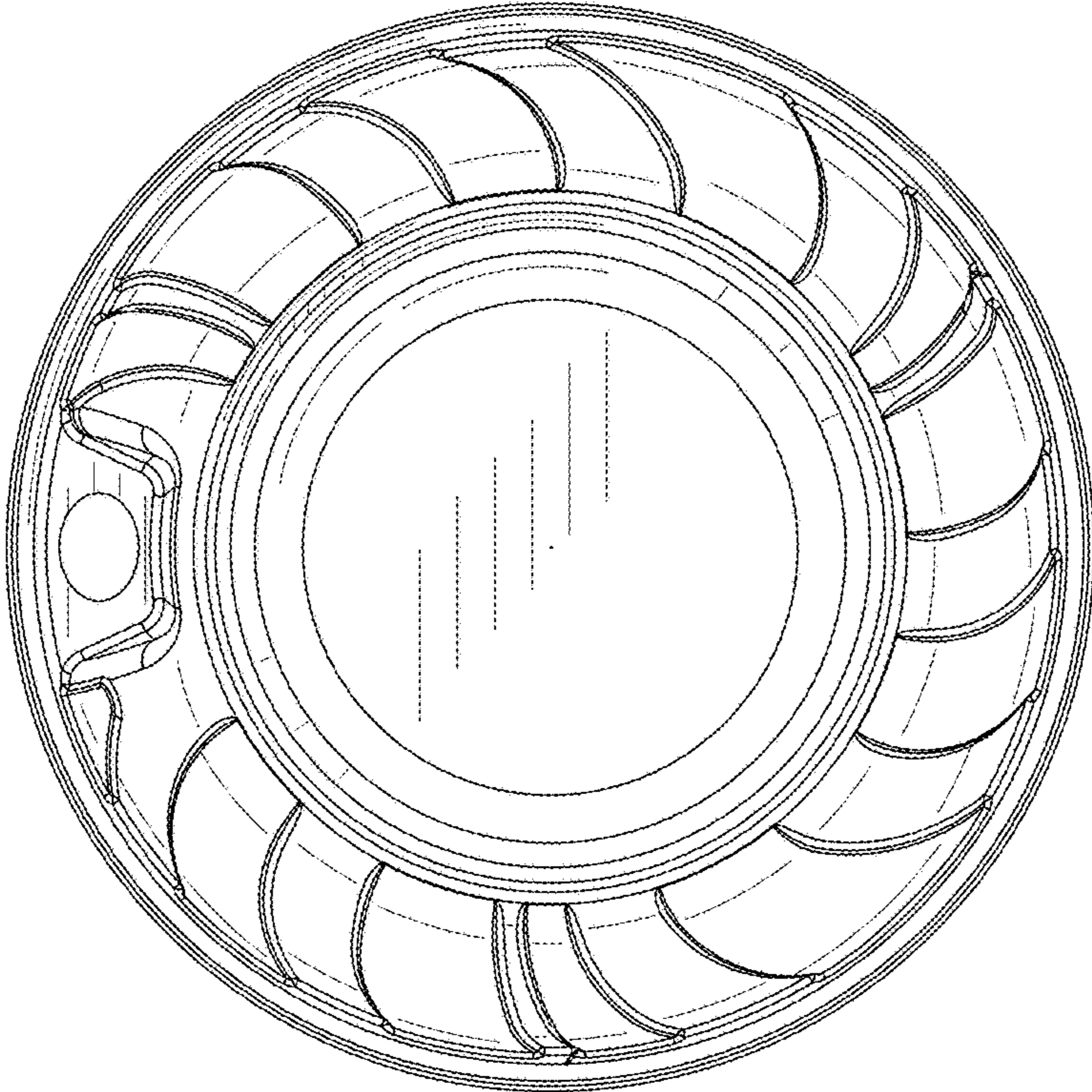


FIG. 7

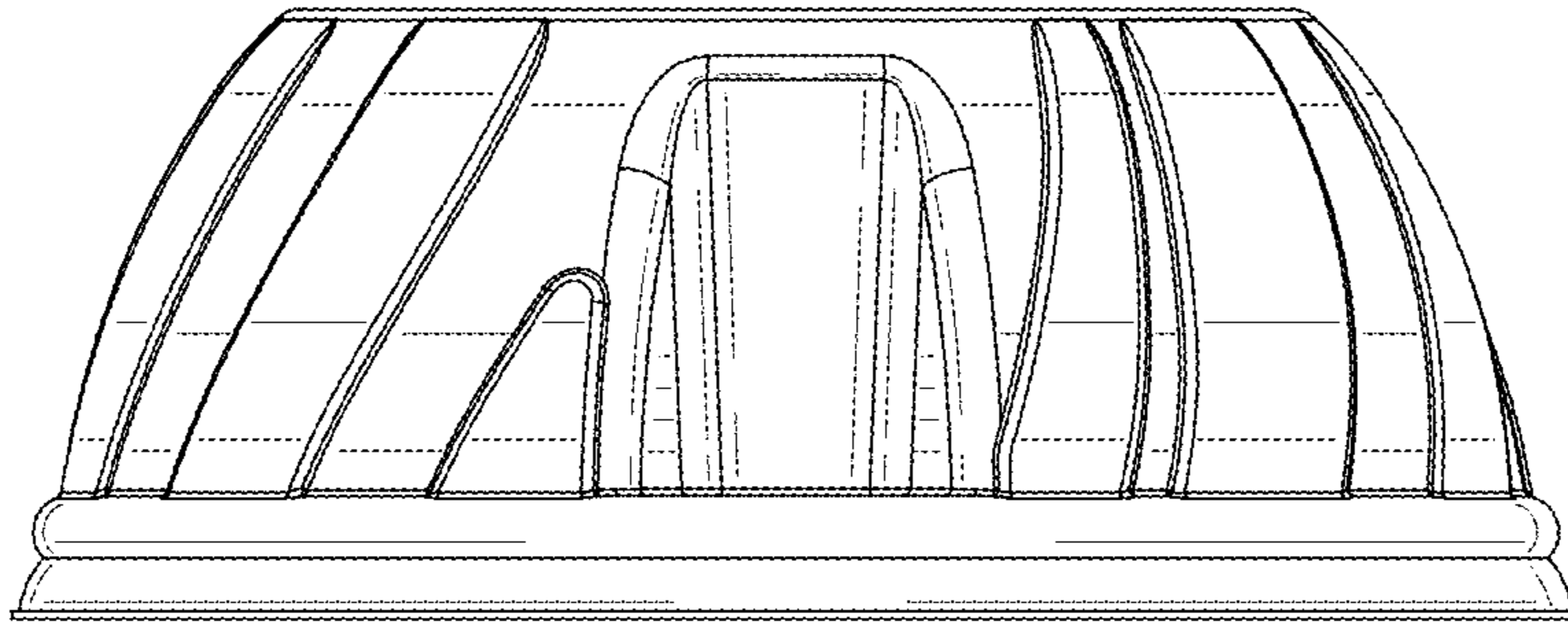


FIG. 8

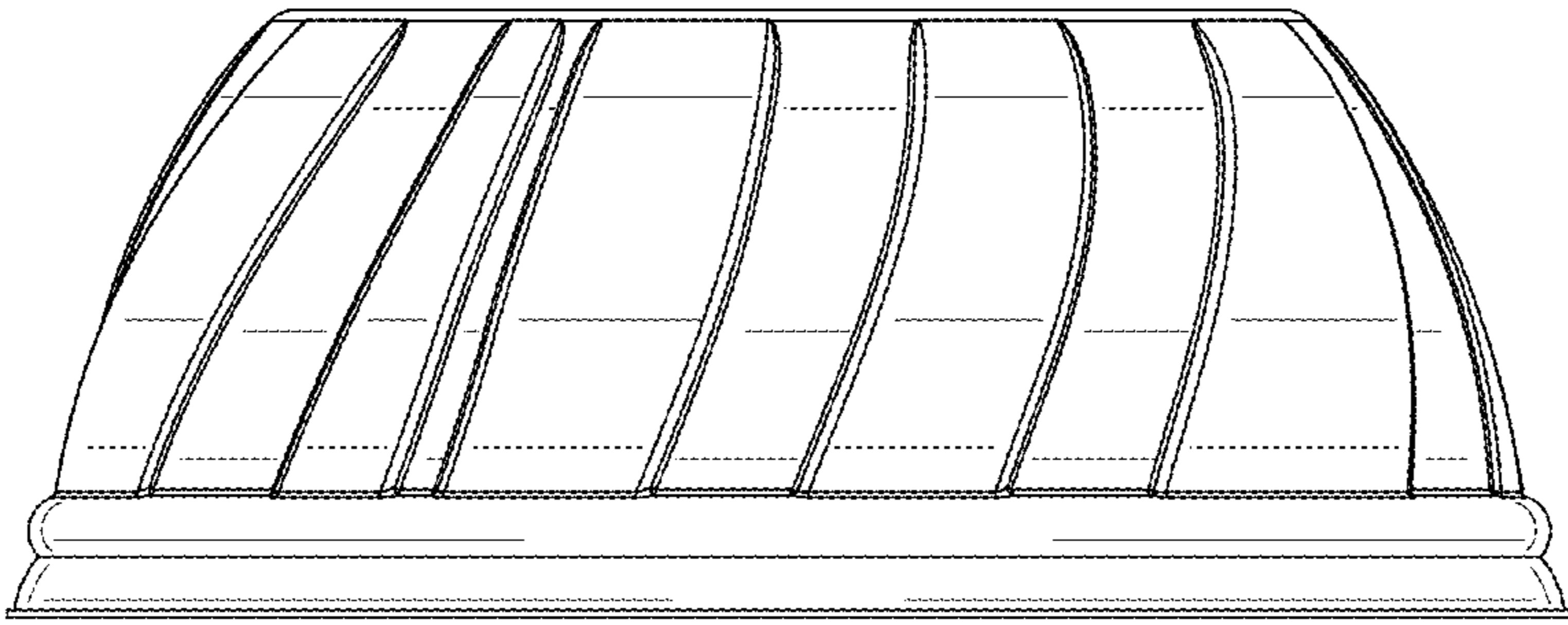


FIG. 9

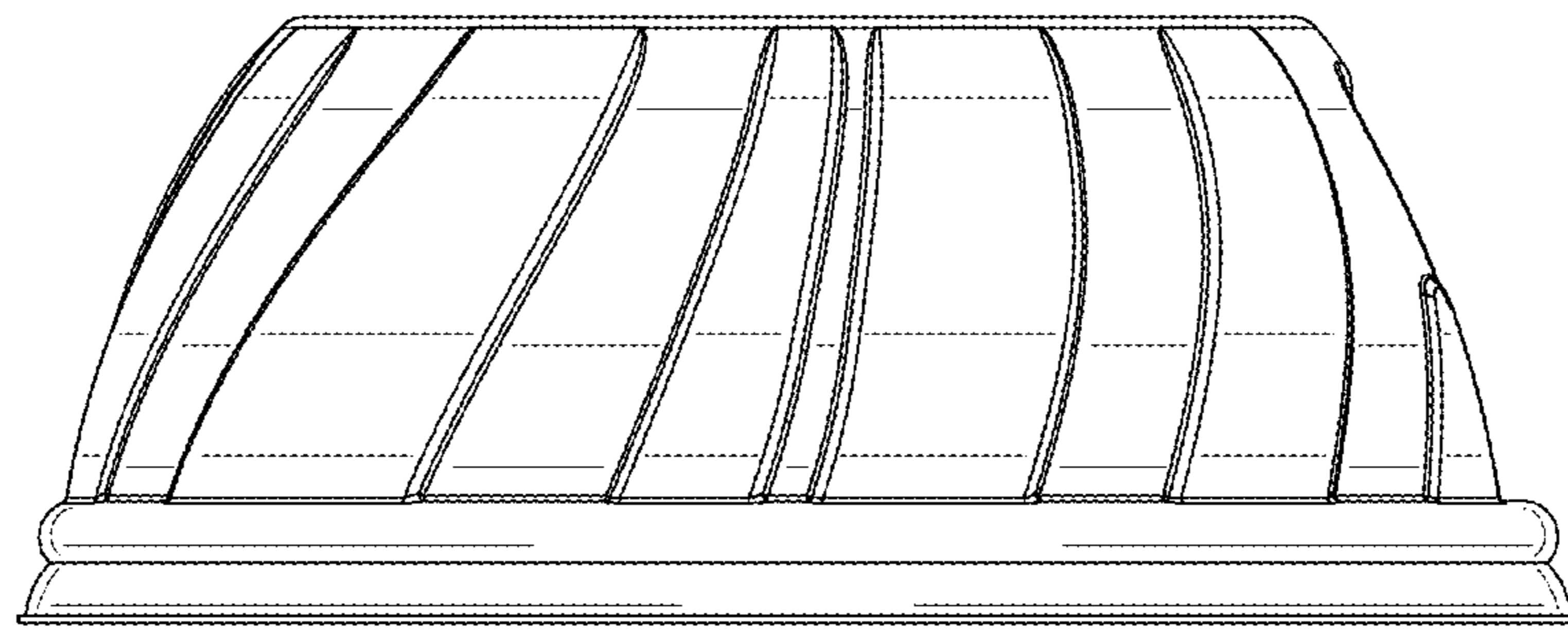


FIG. 10

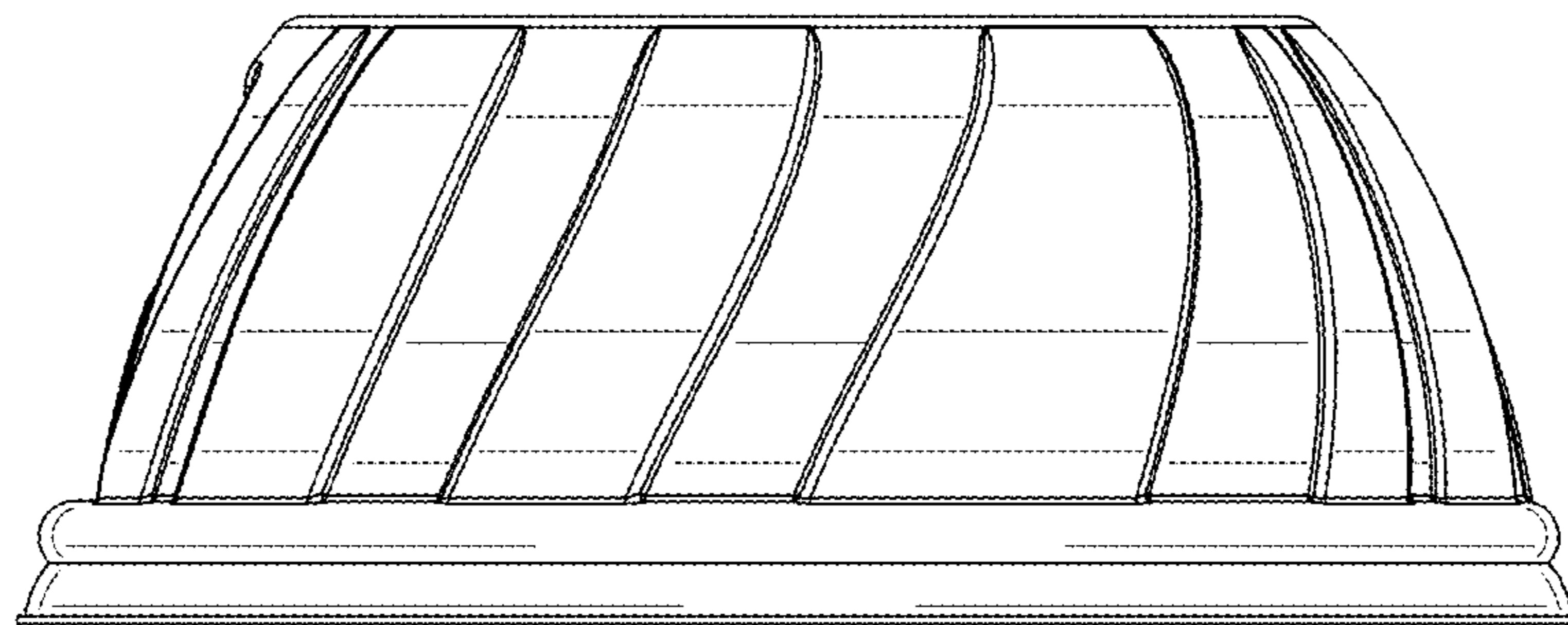


FIG. 11