



US00D803049S

(12) **United States Design Patent**
Ploeger

(10) **Patent No.:** **US D803,049 S**

(45) **Date of Patent:** **** Nov. 21, 2017**

(54) **ADAPTER FOR CONNECTING A FUNNEL TO FILLING PORT OF A VEHICLE CRANKCASE**

(71) Applicant: **Lisle Corporation**, Clarinda, IA (US)

(72) Inventor: **Randall J. Ploeger**, Clarinda, IA (US)

(73) Assignee: **Lisle Corporation**, Clarinda, IA (US)

(**) Term: **15 Years**

(21) Appl. No.: **29/575,406**

(22) Filed: **Aug. 24, 2016**

(51) **LOC (10) Cl.** **09-07**

(52) **U.S. Cl.**
USPC **D9/435; D15/152**

(58) **Field of Classification Search**
USPC D13/118, 151, 133; D12/172, 197;
D8/382; D23/260, 262, 259, 200;
D9/454, 447, 503, 536, 436; D24/129;
D26/24; D7/700; D15/15, 199, 150
CPC .. B67D 7/348; G02B 6/3878; F01M 11/0458;
F01M 11/04; F16N 2037/006
See application file for complete search history.

(56) **References Cited**

U.S. PATENT DOCUMENTS

D244,027 S *	4/1977	Mooney	D13/156
4,126,557 A *	11/1978	Hodgkins	B01D 35/30
				210/249
D332,481 S *	1/1993	Petty	D23/262
D396,006 S *	7/1998	Harris	D9/447
D439,663 S *	3/2001	Guala	D24/129
D513,180 S *	12/2005	Lindsey	D9/447
D543,947 S *	6/2007	Phung	D13/151
D554,067 S *	10/2007	Phung	D13/151
D594,395 S *	6/2009	Yoshii	D12/197
D601,964 S *	10/2009	Rupp	D13/147
D623,062 S *	9/2010	Gullickson	D9/447
D659,100 S *	5/2012	Deiss	D13/151
D682,690 S *	5/2013	Bowes	D9/439

D712,014 S *	8/2014	Guest	D23/262
D719,961 S *	12/2014	Xiang	D14/447
D739,493 S *	9/2015	Wyne	D23/200
D752,719 S *	3/2016	Lehmann	D23/259
D756,760 S *	5/2016	Fay, II	D15/17
9,416,698 B2 *	8/2016	Meeks	F01M 11/0458
D770,266 S *	11/2016	Tar	D8/382
D777,565 S *	1/2017	Yeh	D8/382
D785,789 S *	5/2017	Turturro	D24/129

(Continued)

OTHER PUBLICATIONS

Assenmacher Specialty Tools posted by AST posted date Jul. 14, 2014, © Vehicle Service Pros, [online], [site visited May 22, 2017]. Available from Internet, http://www.vehicleservicepros.com/directory/oil-and-lube-equipment/funnels/product/11574219/assenmacher-specialty-tools-ast-6pc-custom-oil-funnel-set-no-fun14kit.*

(Continued)

Primary Examiner — Cynthia Ramirez

Assistant Examiner — Laura Yu

(74) *Attorney, Agent, or Firm* — Banner & Witcoff, Ltd.

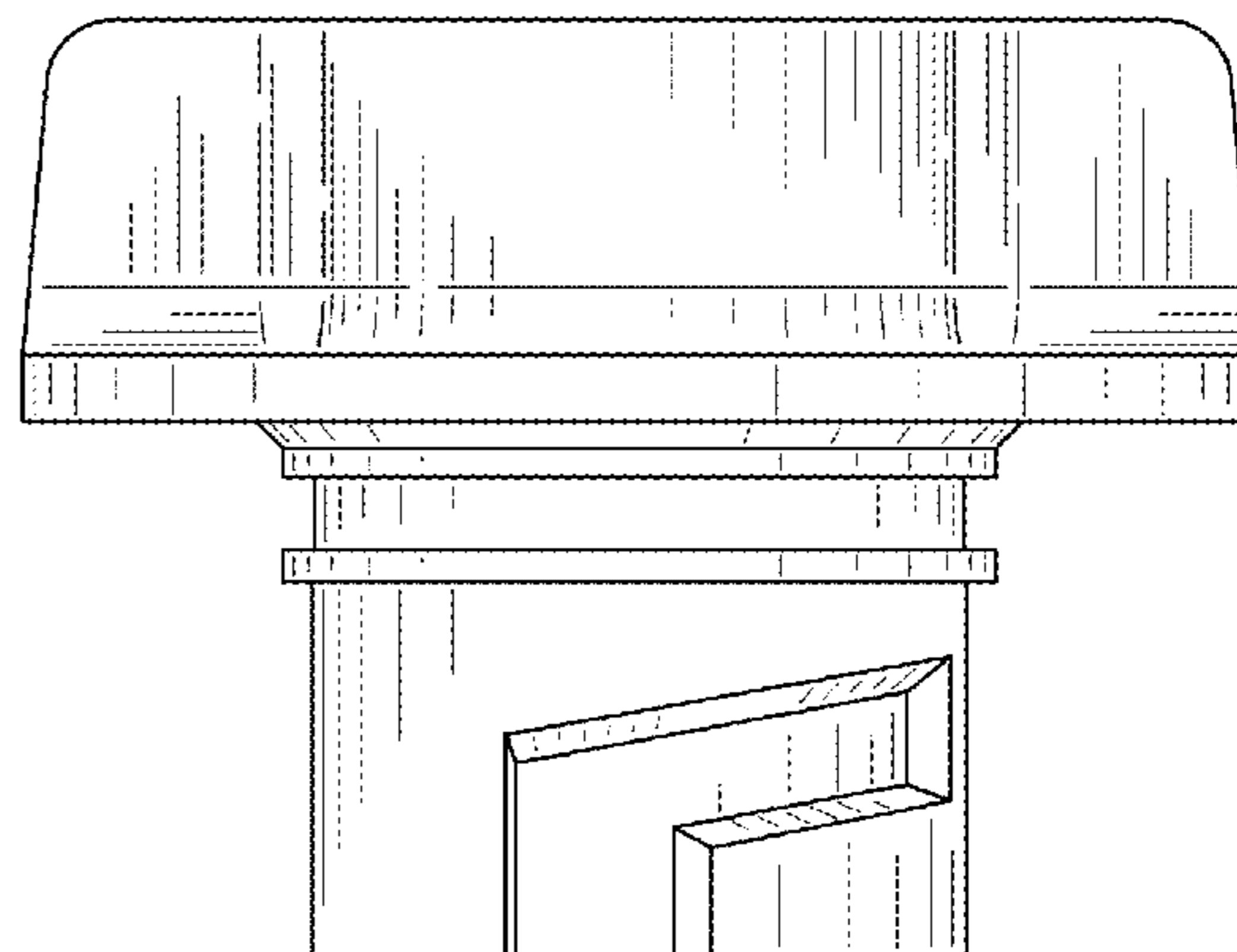
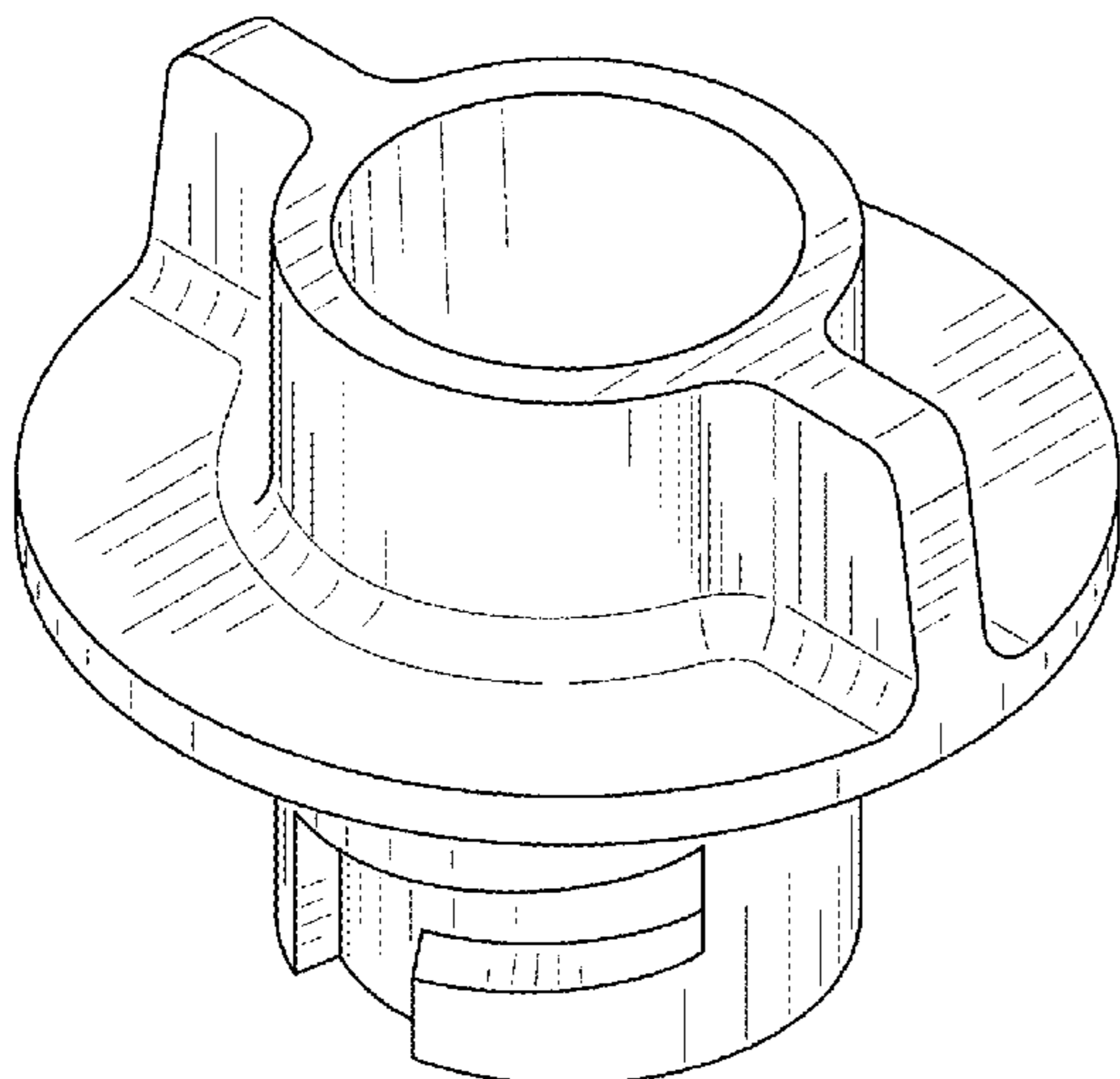
(57) **CLAIM**

The ornamental design for an adapter for connecting a funnel to filling port of a vehicle crankcase, as shown and described.

DESCRIPTION

FIG. 1 is a top, front, right perspective view of an adapter for connecting a funnel to filling port of a vehicle crankcase showing my new design;
FIG. 2 is a right side view thereof;
FIG. 3 is a left side view thereof;
FIG. 4 is a front view thereof;
FIG. 5 is a rear view thereof;
FIG. 6 is a top view thereof; and,
FIG. 7 is a bottom view thereof.

1 Claim, 4 Drawing Sheets



(56)

References Cited

U.S. PATENT DOCUMENTS

2011/0100985 A1* 5/2011 Tsiberidis B60K 13/04
220/86.2
2016/0070072 A1* 3/2016 Penumatcha G02B 6/3817
385/59

OTHER PUBLICATIONS

Lisle's Multi-Application Oil Funnel Helps Eliminate Oil Spills posted by Tech Shop Writers posted date Oct. 13, 2015, © Tech Shop, [online], [site visited May 24, 2017]. Available from Internet, <http://www.techshopmag.com/lisles-multi-application-oil-funnel-helps-eliminate-oil-spills/>.*

19342 Multi-Application Oil Funnel posted by Lisle Corporation posted date Sep. 24, 2015, © YouTube, [online], [site visited May 24, 2017]. Available from Internet, <https://www.youtube.com/watch?v=CwfsRo2uVo8>.*

Lis19342 Multi Application Oil Funnel posted by Eppy Tool & Equipment posted date May 11, 2016, © YouTube, [online], [site visited May 24, 2017]. Available from Internet, <https://www.youtube.com/watch?v=CwfsRo2uVo8>.*

19342 Multi Application Oil Funnel Overview Tutorial posted by JEGS Performance posted date Jul. 21, 2016, © YouTube, [online], [site visited May 24, 2017]. <https://www.youtube.com/watch?v=MFSLstHtENQ>.*

Oil Funnel Kit, No. OFKIT posted by Snap On Inc. posted date Mar. 30, 2015, © Vehicle Service Pros, [online], [site visited May 24, 2017]. <http://www.vehicleservicepros.com/directory/oil-and-lube-equipment/product/12059826/snapon-inc-oil-funnel-kit-no-ofkit>.*

Oil Filling System posted by CTA Manufacturing Corp. posted date Jul. 22, 2015, © Vehicle Service Pros, [online], [site visited May 22, 2017]. Available from Internet, <http://www.vehicleservicepros.com/directory/oil-and-lube-equipment/oil-change-equipment/product/12095086/cta-manufacturing-corp-10pc-oil-filling-system-with-universal-funnel-no-7480>.*

Snap-On, Kit, Master Oil Funnel, 5 pc., #OFKIT, <<https://store.snapon.com/Funnels-Spouts-Kit-Master-Oil-Funnel-5-pc-P812978.aspx>>, May 18, 2016.

CTA Manufacturing Corp., 10 pc. Oil Filling System with Universal Funnel, #7480, www.ctatools.com <<http://www.ctatools.com>>, 2015.

* cited by examiner

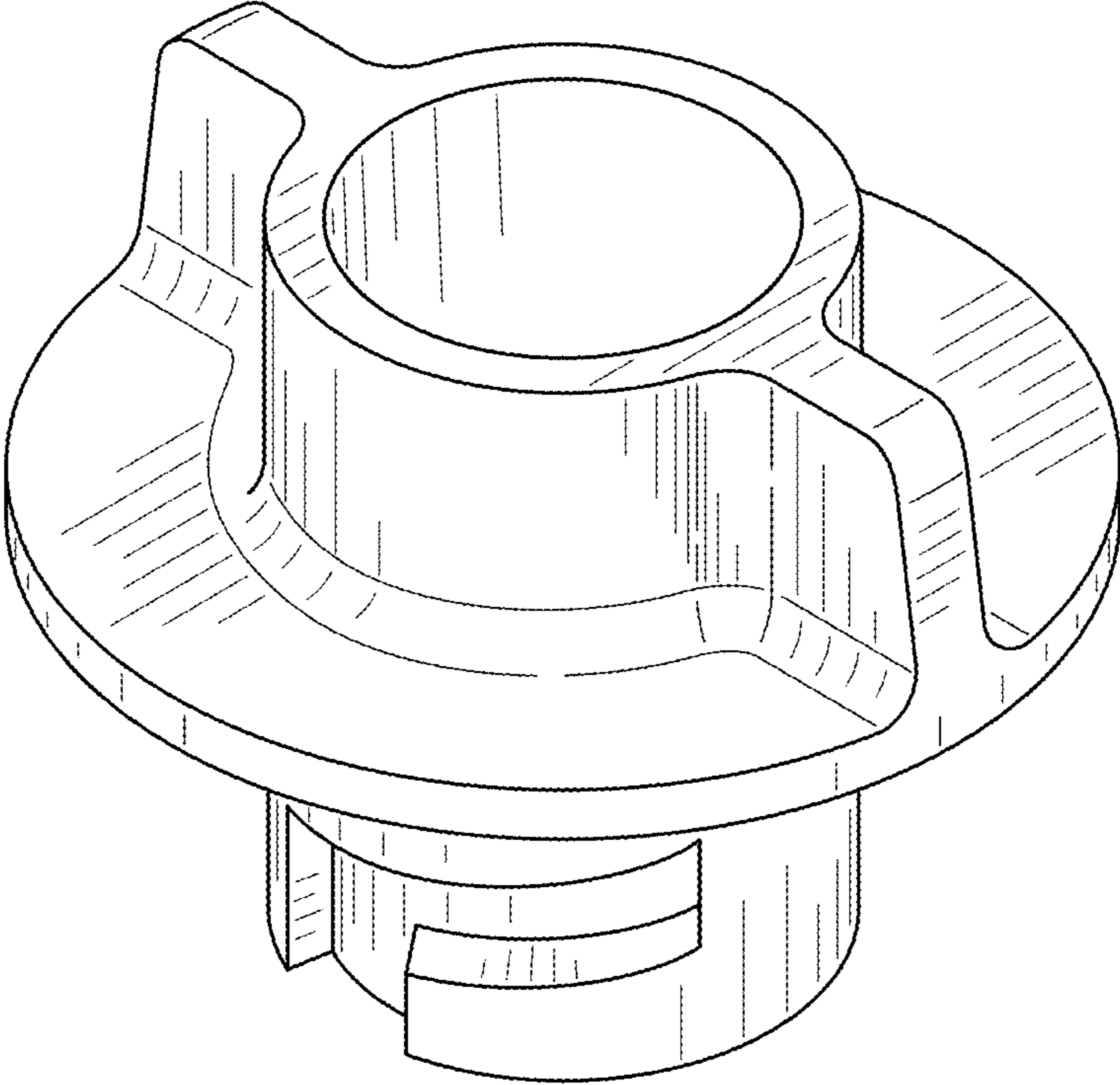


FIG. 1

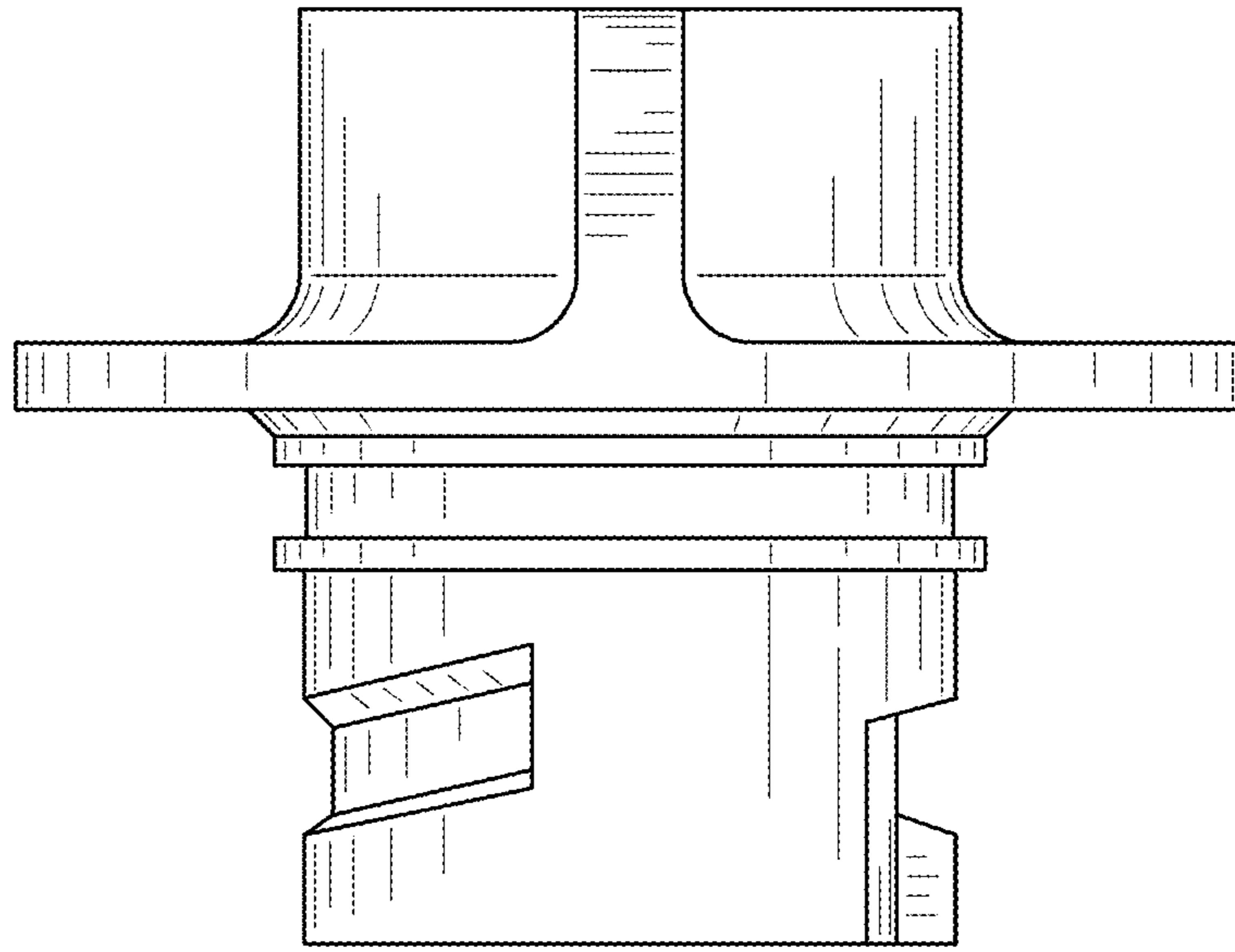


FIG. 2

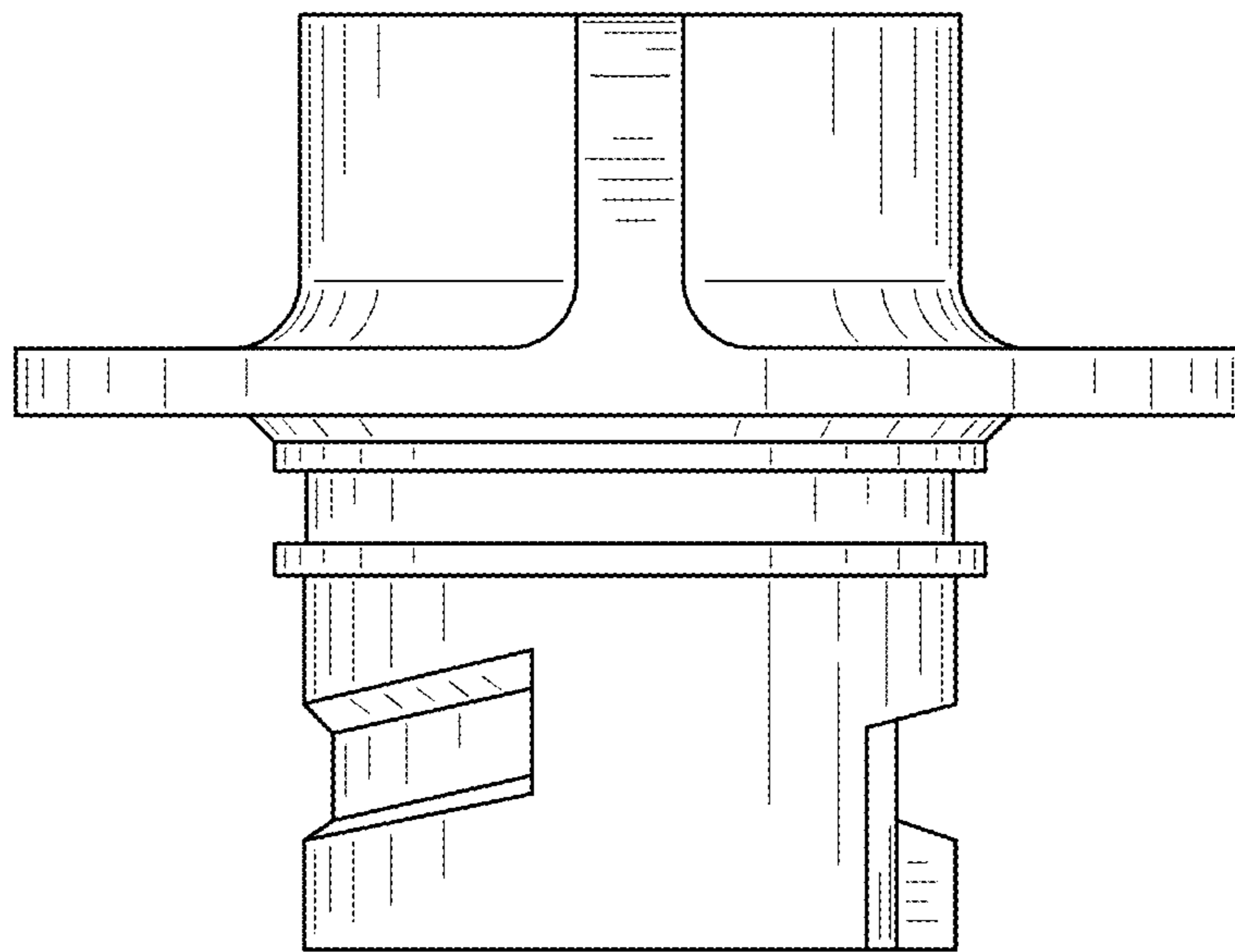


FIG. 3

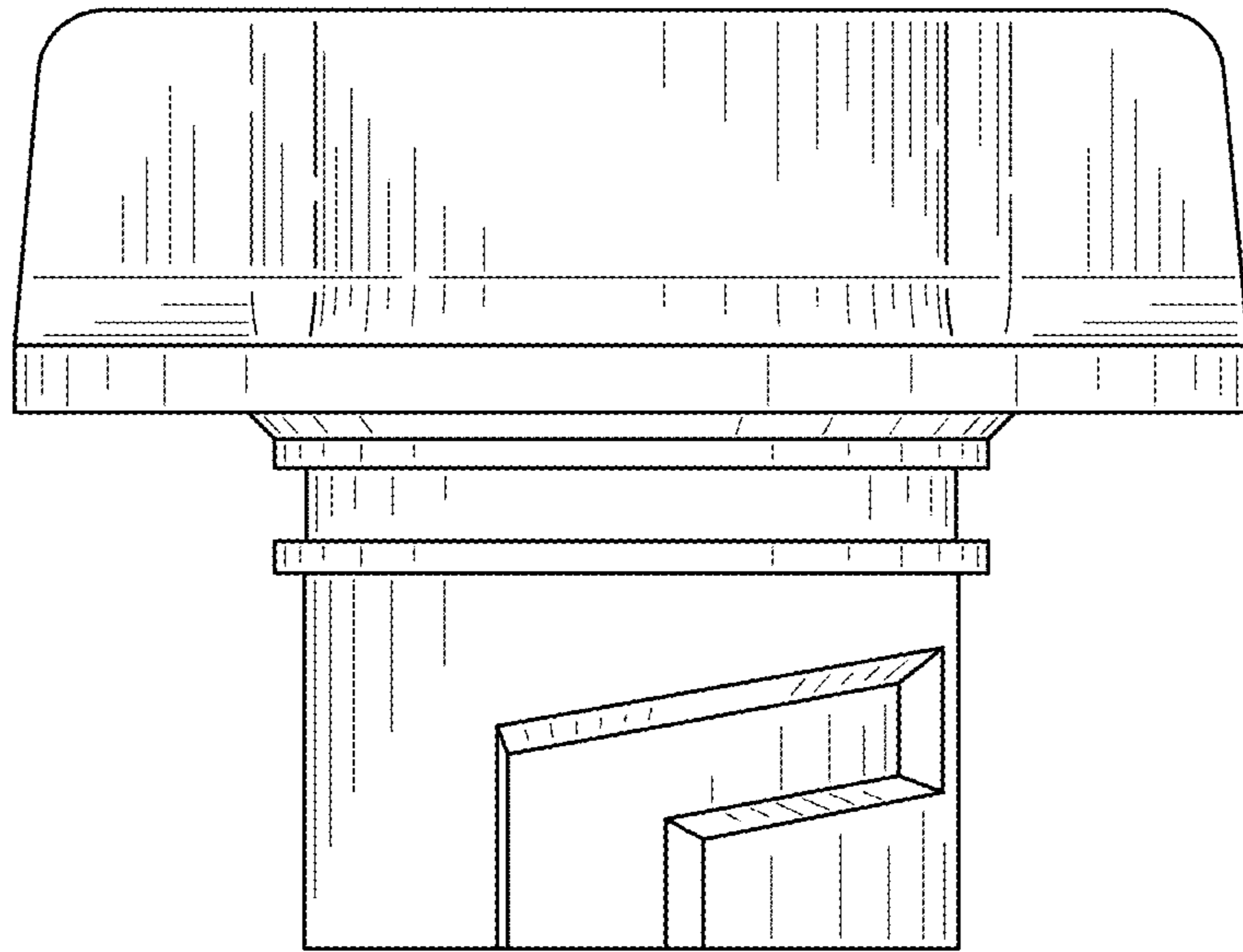


FIG. 4

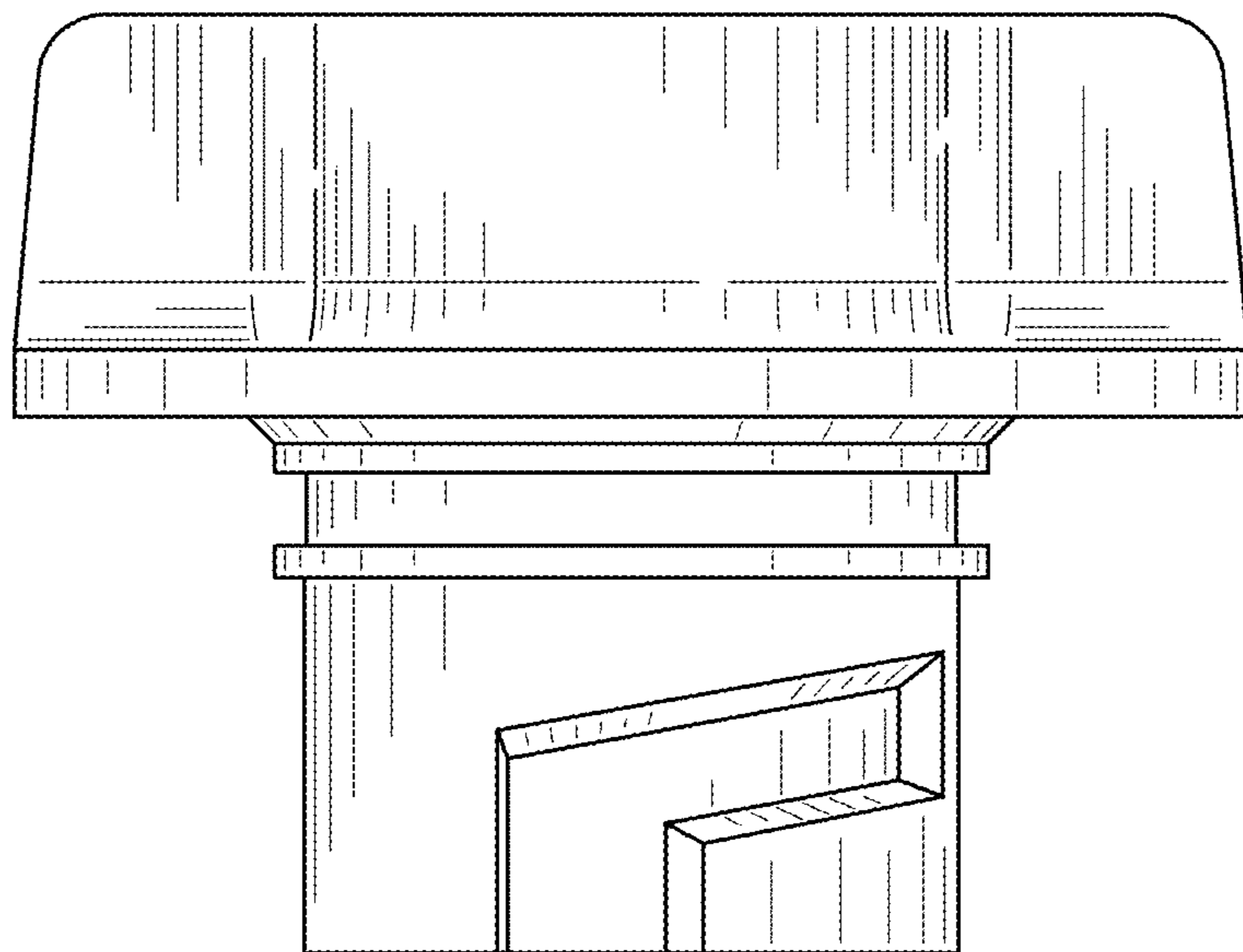


FIG. 5

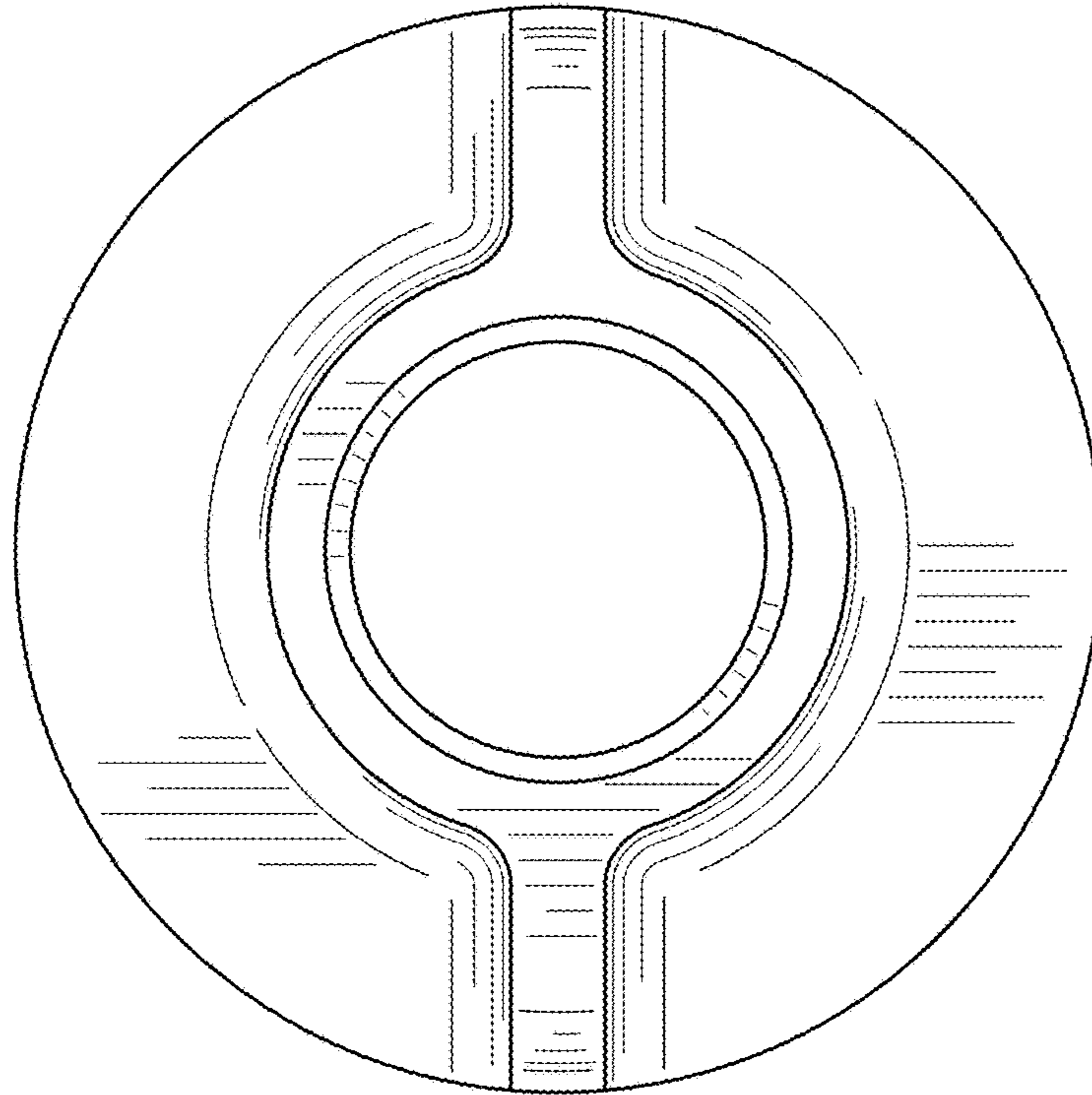


FIG. 6

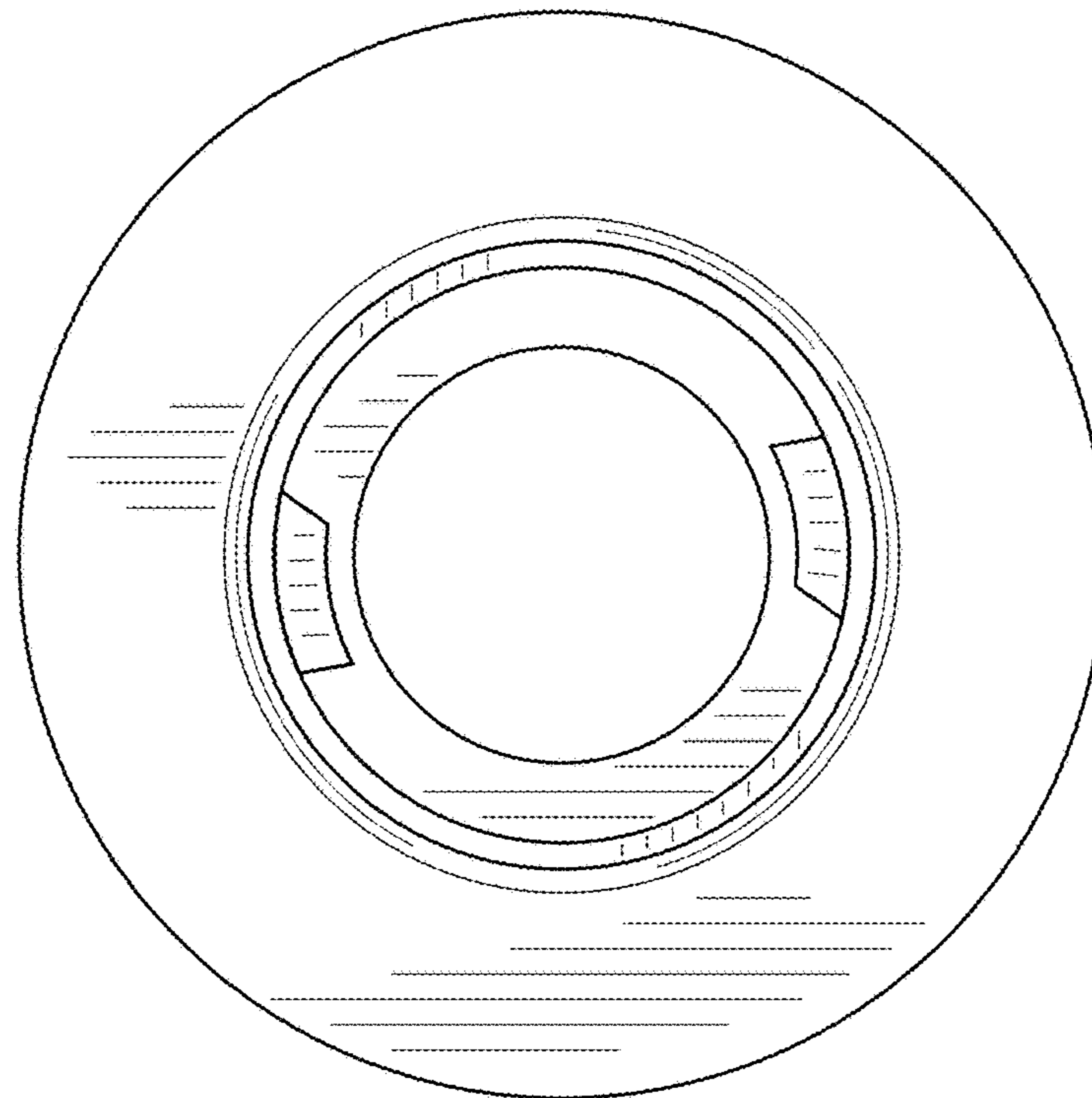


FIG. 7