



US00D803045S

(12) **United States Design Patent** (10) **Patent No.:** **US D803,045 S**  
**Ploeger** (45) **Date of Patent:** **\*\* \*Nov. 21, 2017**

- (54) **ADAPTER FOR CONNECTING A FUNNEL TO FILLING PORT OF A VEHICLE CRANKCASE**
- (71) Applicant: **Lisle Corporation**, Clarinda, IA (US)
- (72) Inventor: **Randall J. Ploeger**, Clarinda, IA (US)
- (73) Assignee: **Lisle Corporation**, Clarinda, IA (US)
- (\*) Notice: This patent is subject to a terminal disclaimer.
- (\*\*) Term: **15 Years**
- (21) Appl. No.: **29/575,398**
- (22) Filed: **Aug. 24, 2016**
- (51) **LOC (10) Cl.** ..... **09-07**
- (52) **U.S. Cl.**  
USPC ..... **D9/435; D15/152**
- (58) **Field of Classification Search**  
USPC ..... D13/118, 151, 133; D12/172, 197;  
D8/382; D23/260, 262, 259, 200;  
D9/454, 447, 503, 536, 436; D24/129;  
D26/24; D7/700; D15/15, 199, 150  
CPC .. B67D 7/348; G02B 6/3878; F01M 11/0458;  
F01M 11/04; F16N 2037/006  
See application file for complete search history.

(56) **References Cited**

**U.S. PATENT DOCUMENTS**

- D244,027 S \* 4/1977 Mooney ..... D13/156
- 4,126,557 A \* 11/1978 Hodgkins ..... B01D 35/30  
210/249
- D332,481 S \* 1/1993 Petty ..... D23/262
- D396,006 S \* 7/1998 Harris ..... D9/447
- D439,663 S \* 3/2001 Guala ..... D24/129
- D513,180 S \* 12/2005 Lindsey ..... D9/447
- D543,947 S \* 6/2007 Phung ..... D13/151
- D554,067 S \* 10/2007 Phung ..... D13/151
- D594,395 S \* 6/2009 Yoshii ..... D12/197
- D601,964 S \* 10/2009 Rupp ..... D13/147
- D623,062 S \* 9/2010 Gullickson ..... D9/447

- D659,100 S \* 5/2012 Deiss ..... D13/151
- D682,690 S \* 5/2013 Bowes ..... D9/439
- D712,014 S \* 8/2014 Guest ..... D23/262
- D719,961 S \* 12/2014 Xiang ..... D14/447
- D739,493 S \* 9/2015 Wyne ..... D23/200
- D752,719 S \* 3/2016 Lehmann ..... D23/259
- D756,760 S \* 5/2016 Fay, II ..... D15/17
- 9,416,698 B2 \* 8/2016 Meeks ..... F01M 11/0458
- D770,266 S \* 11/2016 Tar ..... D8/382
- D777,565 S \* 1/2017 Yeh ..... D8/382

(Continued)

**OTHER PUBLICATIONS**

Assenmacher Specialty Tools posted by AST posted date Jul. 14, 2014, © Vehicle Service Pros, [online], [site visited May 22, 2017]. Available from Internet, [http://www.vehicleservicepros.com/directory/oil-and-lube-equipment/funnels/product/11574219/assenmacher-specialty-tools-ast-6pc-custom-oil-funnel-set-no-fun14kit.\\*](http://www.vehicleservicepros.com/directory/oil-and-lube-equipment/funnels/product/11574219/assenmacher-specialty-tools-ast-6pc-custom-oil-funnel-set-no-fun14kit.*)

(Continued)

*Primary Examiner* — Cynthia Ramirez  
*Assistant Examiner* — Laura Yu  
(74) *Attorney, Agent, or Firm* — Banner & Witcoff, Ltd.

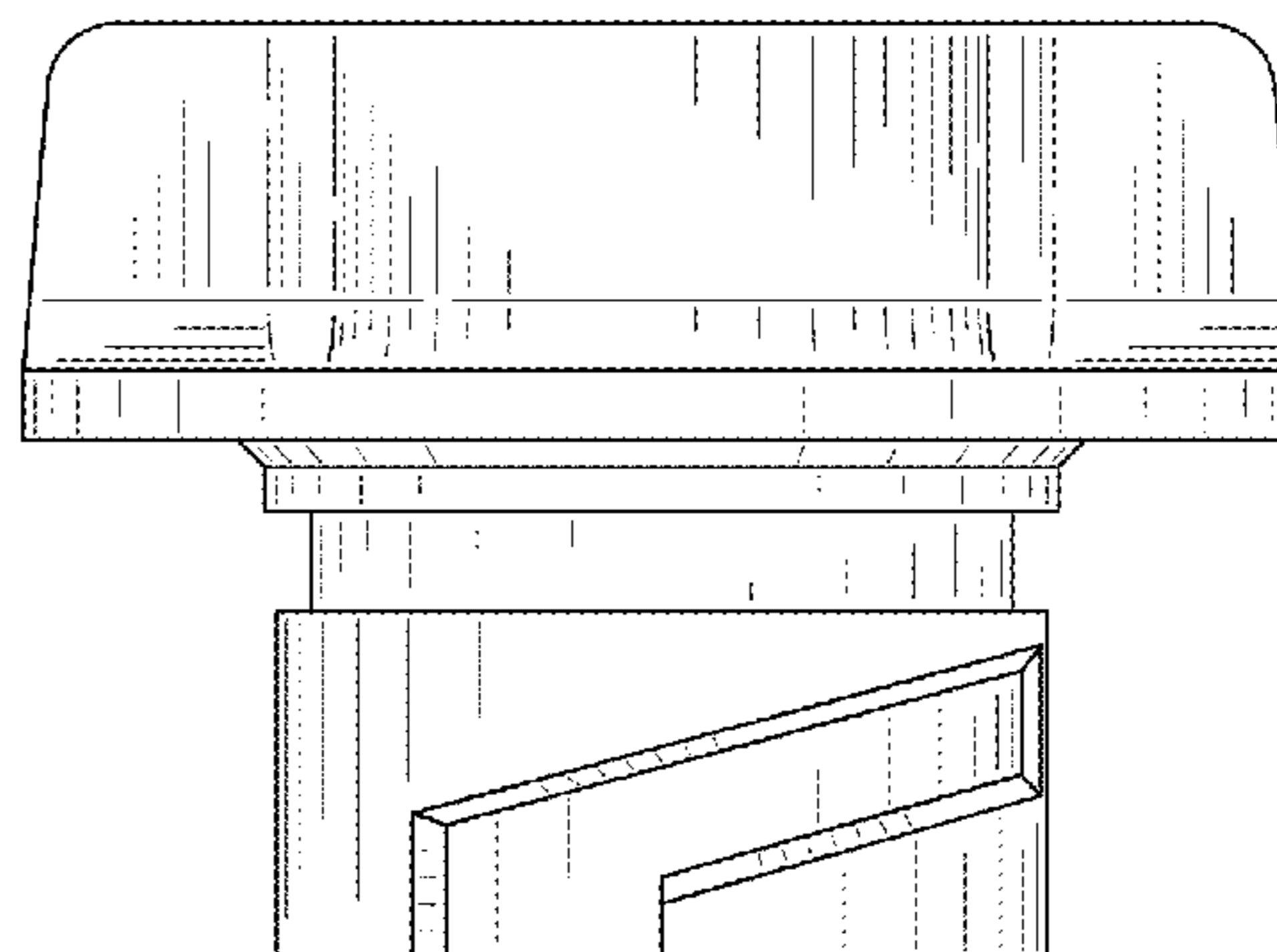
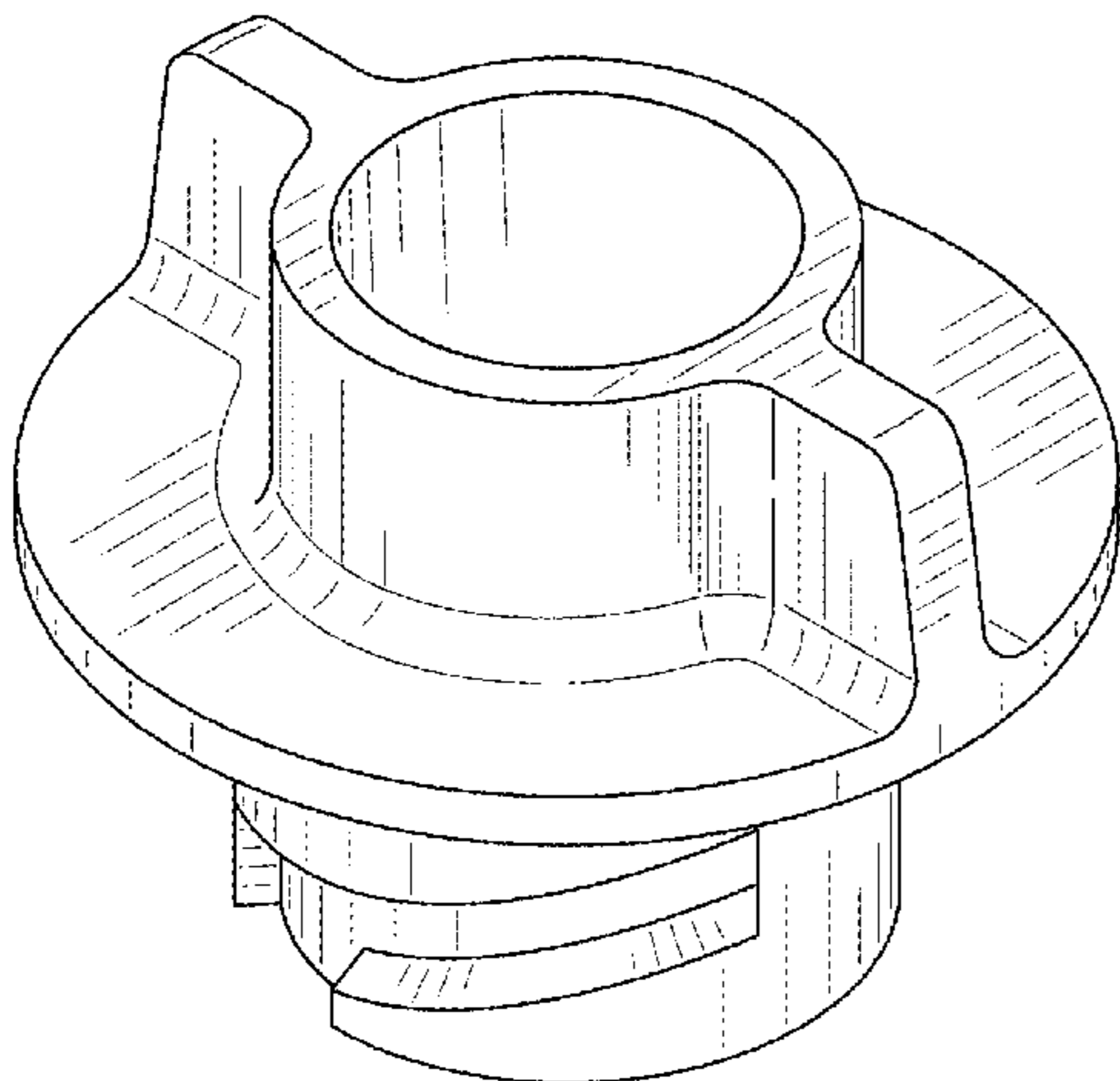
(57) **CLAIM**

The ornamental design for an adapter for connecting a funnel to filling port of a vehicle crankcase, as shown and described.

**DESCRIPTION**

FIG. 1 is a top, front, right perspective view of an adapter for connecting a funnel to filling port of a vehicle crankcase showing my new design;  
FIG. 2 is a right side view thereof;  
FIG. 3 is a left side view thereof;  
FIG. 4 is a front view thereof;  
FIG. 5 is a rear view thereof;  
FIG. 6 is a top view thereof; and,  
FIG. 7 is a bottom view thereof.

**1 Claim, 4 Drawing Sheets**



(56)

**References Cited**

U.S. PATENT DOCUMENTS

D785,789 S \* 5/2017 Turturro ..... D24/129  
 2011/0100985 A1\* 5/2011 Tsiberidis ..... B60K 13/04  
 220/86.2  
 2016/0070072 A1\* 3/2016 Penumatcha ..... G02B 6/3817  
 385/59

OTHER PUBLICATIONS

Lisle's Multi-Application Oil Funnel Helps Eliminate Oil Spills posted by Tech Shop Writers posted date Oct. 13, 2015, © Tech Shop, [online], [site visited May 24, 2017]. Available from Internet, <http://www.techshopmag.com/lisles-multi-application-oil-funnel-helps-eliminate-oil-spills/>.\*

19342 Multi-Application Oil Funnel posted by Lisle Corporation posted date Sep. 24, 2015, © YouTube, [online], [site visited May 24, 2017]. Available from Internet, <https://www.youtube.com/watch?v=CwfsRo2uVo8>.\*

Lis19342 Multi Application Oil Funnel posted by Eppy Tool & Equipment posted date May 11, 2016, © YouTube, [online], [site

visited May 24, 2017]. Available from Internet, <https://www.youtube.com/watch?v=CwfsRo2uVo8>.\*

19342 Multi Application Oil Funnel Overview Tutorial posted by JEGS Performance posted date Jul. 21, 2016, © YouTube, [online], [site visited May 24, 2017]. <https://www.youtube.com/watch?v=MFSLstHtENQ>.\*

Oil Funnel Kit, No. OFKIT posted by Snap On Inc. posted date Mar. 30, 2015, © Vehicle Service Pros, [online], [site visited May 24, 2017]. <http://www.vehicleservicepros.com/directory/oil-and-lube-equipment/product/12059826/snapon-inc-oil-funnel-kit-no-ofkit>.\*

Oil Filling System posted by CTA Manufacturing Corp. posted date Jul. 22, 2015, © Vehicle Service Pros, [online], [site visited May 22, 2017]. Available from Internet, <http://www.vehicleservicepros.com/directory/oil-and-lube-equipment/oil-change-equipment/product/12095086/cta-manufacturing-corp-10pc-oil-filling-system-with-universal-funnel-no-7480>.\*

Snap-On, Kit, Master Oil Funnel, 5 pc., #OFKIT, <<https://store.snapon.com/Funnels-Spouts-Kit-Master-Oil-Funnel-5-pc-P812978.aspx>>, May 18, 2016.

CTA Manufacturing Corp., 10 pc. Oil Filling System with Universal Funnel, #7480, [www.ctatools.com](http://www.ctatools.com) <<http://www.ctatools.com>>, 2015.

\* cited by examiner

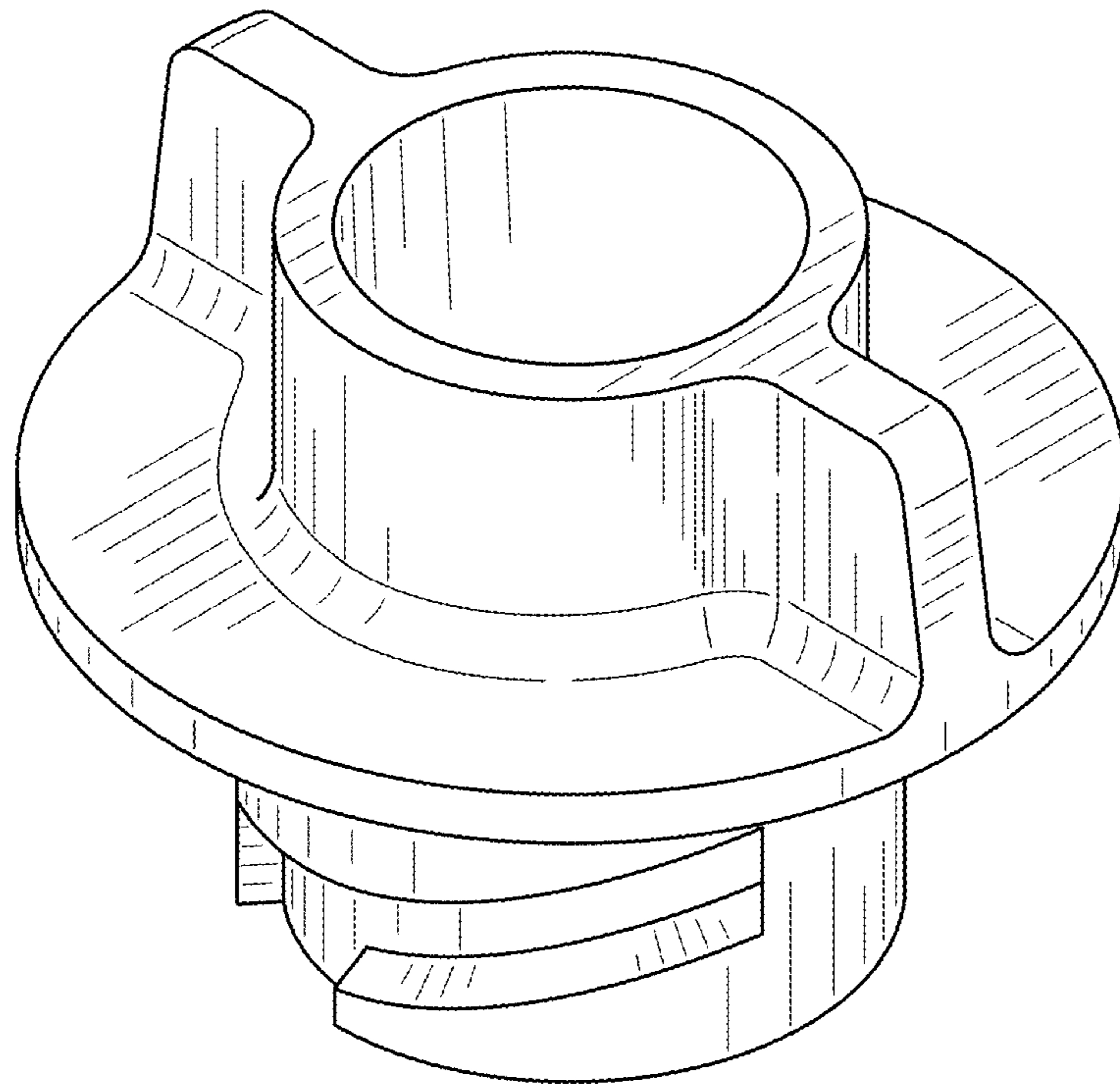


FIG. 1

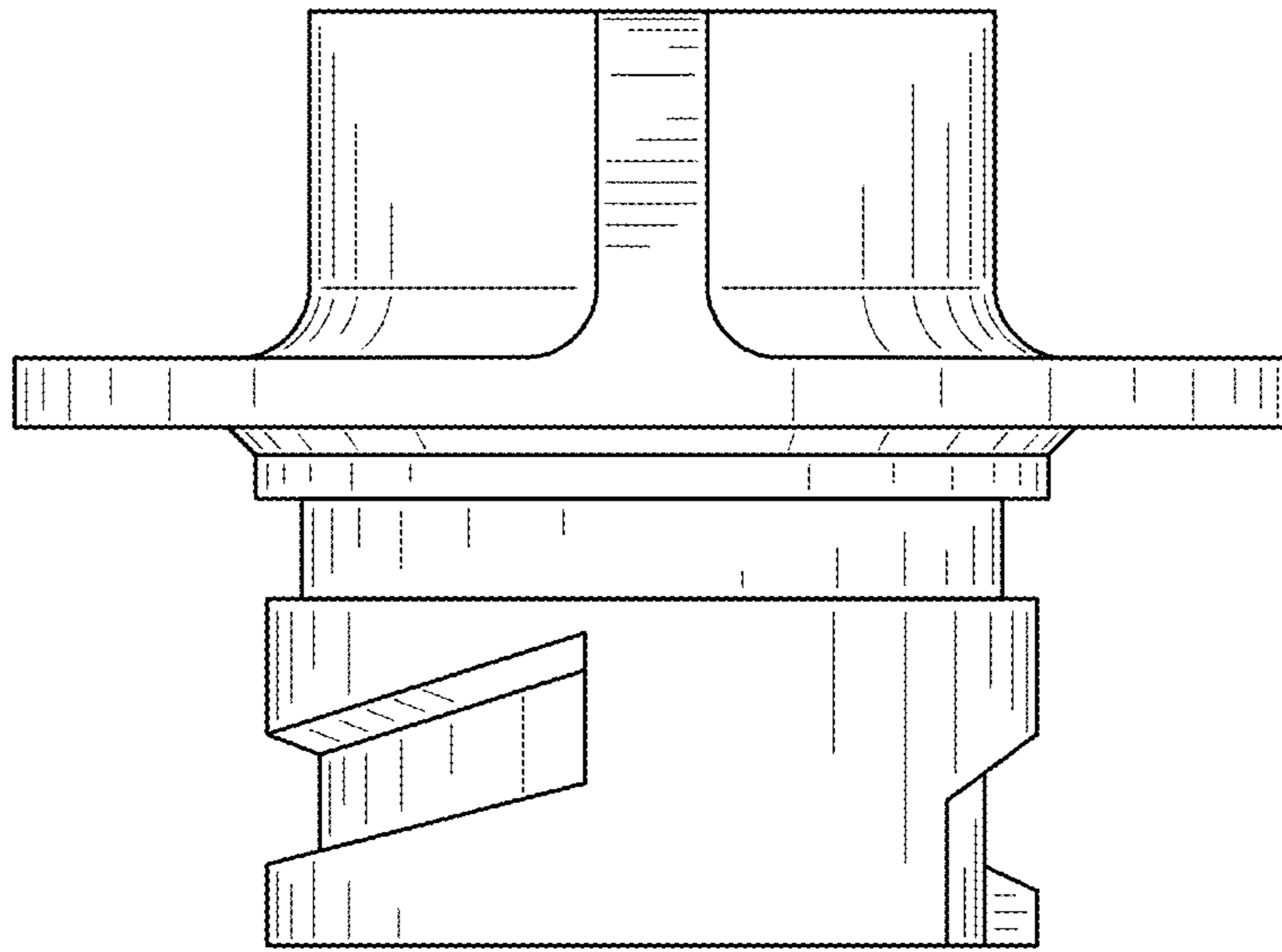


FIG. 2

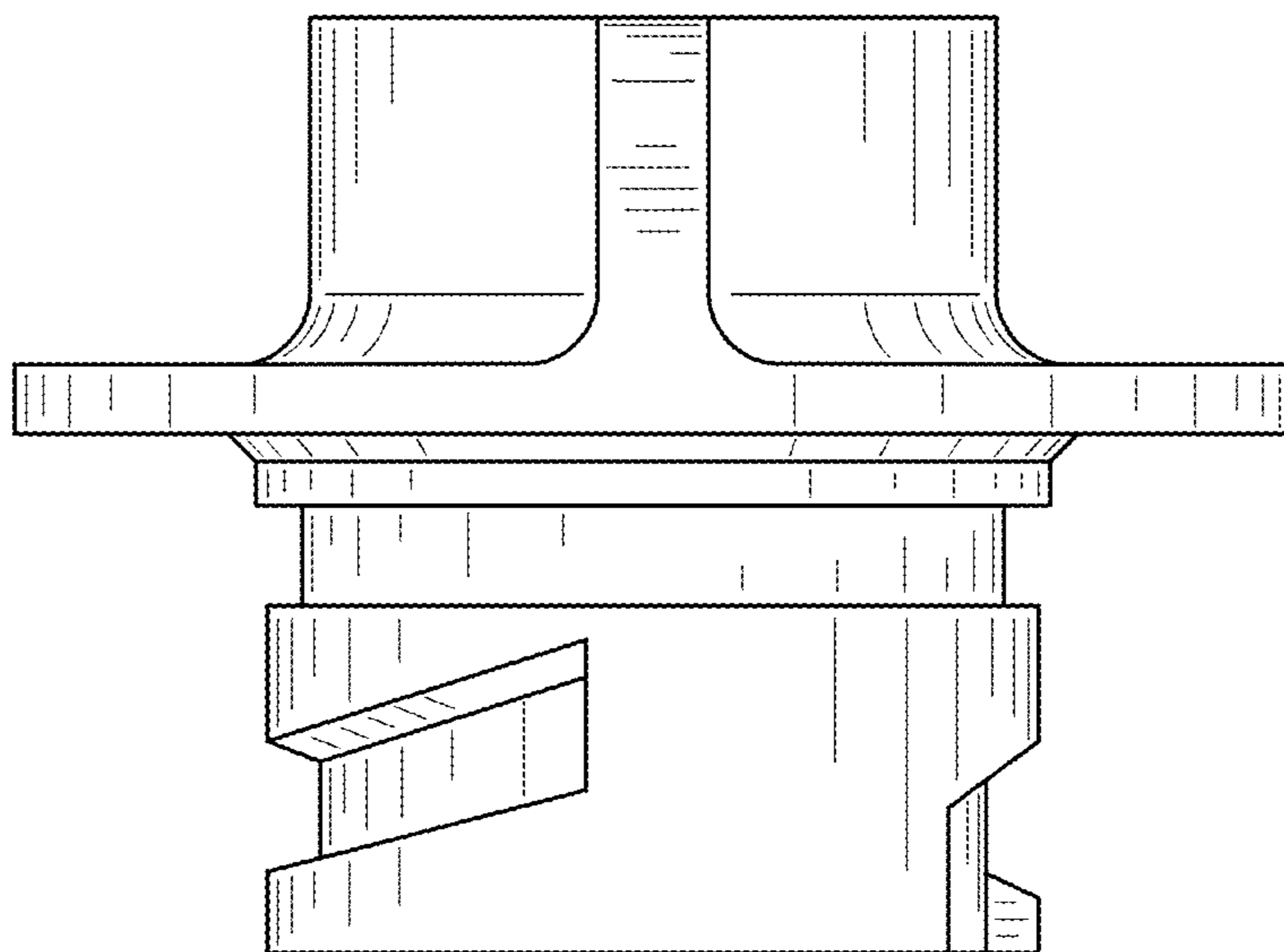


FIG. 3

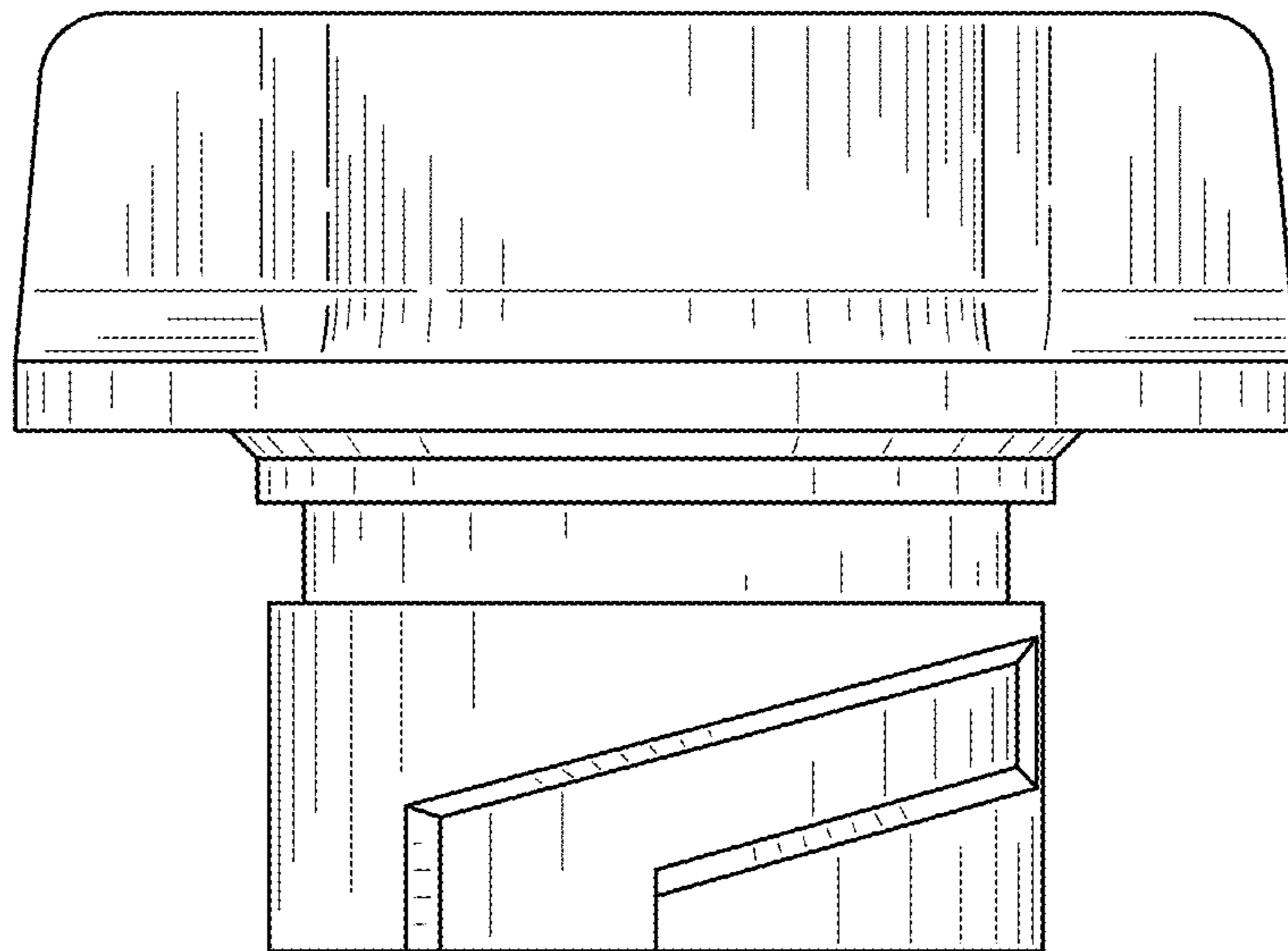


FIG. 4

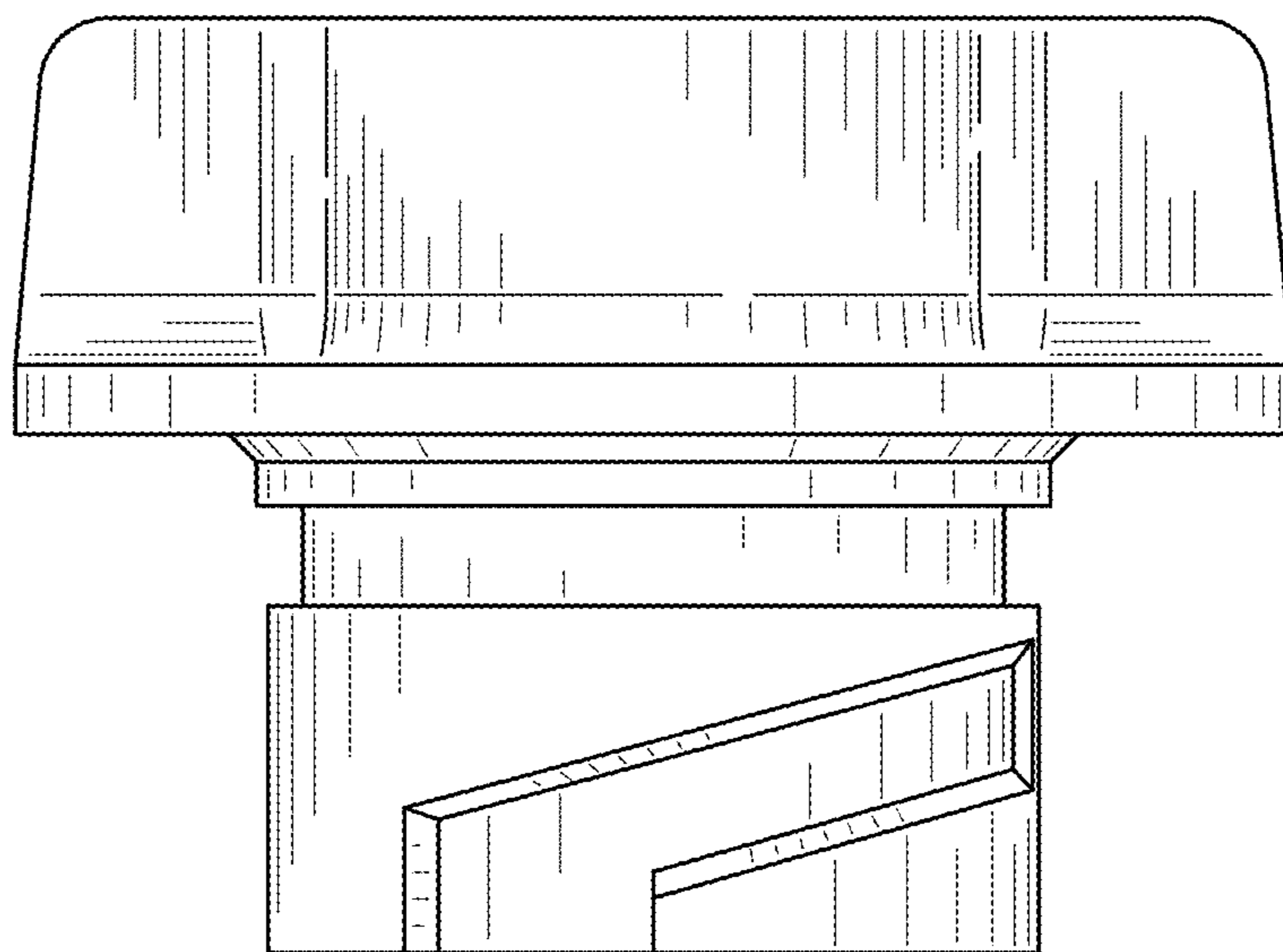


FIG. 5

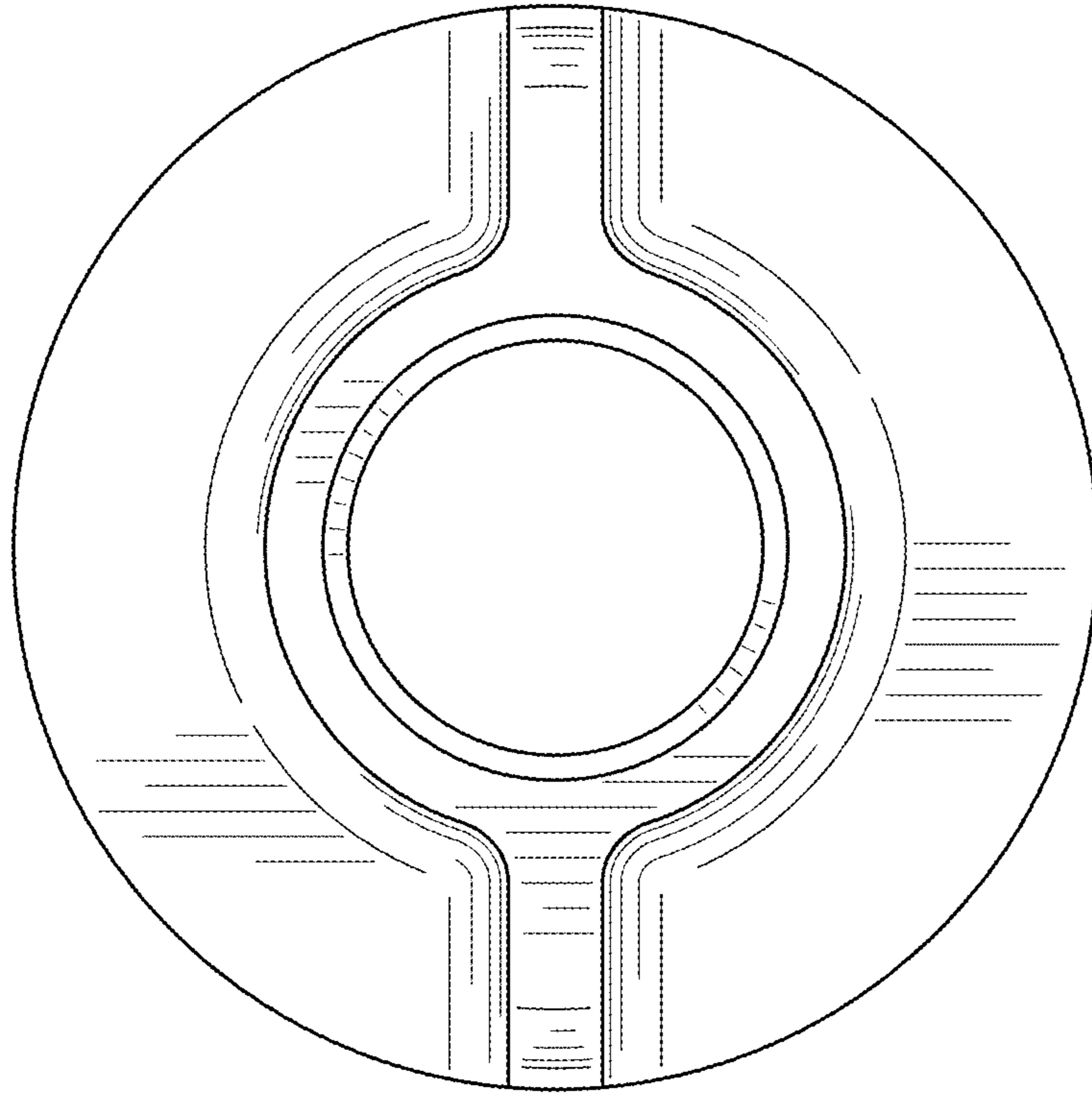


FIG. 6

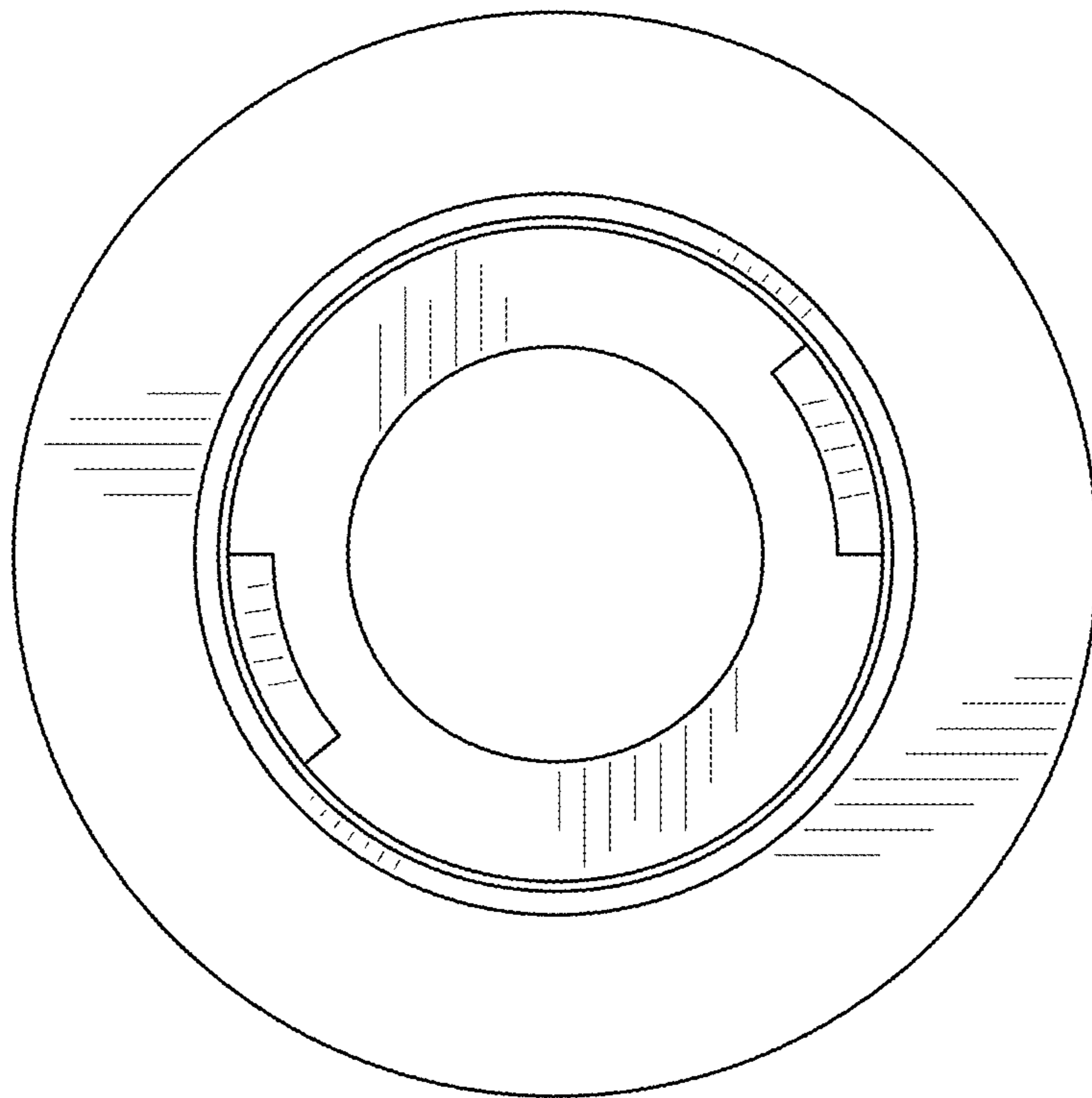


FIG. 7