



US00D803040S

(12) **United States Design Patent**
Schuit et al.

(10) **Patent No.:** **US D803,040 S**

(45) **Date of Patent:** **** Nov. 21, 2017**

(54) **HELICAL DRIVE**

(71) Applicant: **Unirac Inc.**, Albuquerque, NM (US)

(72) Inventors: **Nathan Schuit**, Edgewood, NM (US);
Jason Mayfield, Albuquerque, NM (US)

(73) Assignee: **Unirac Inc.**, Albuquerque, NM (US)

(**) Term: **15 Years**

(21) Appl. No.: **29/571,440**

(22) Filed: **Jul. 18, 2016**

Related U.S. Application Data

(63) Continuation-in-part of application No. 15/138,018, filed on Apr. 25, 2016.

(51) **LOC (10) Cl.** **08-08**

(52) **U.S. Cl.**
USPC **D8/397**

(58) **Field of Classification Search**
USPC D8/397, 394, 382, 349; 411/427
CPC A61B 17/0401; E04D 13/1476; E04G 25/065; F16B 41/002; F16B 23/0061
See application file for complete search history.

(56) **References Cited**

U.S. PATENT DOCUMENTS

- D30,898 S * 5/1899 Paine 411/427
- 3,042,068 A * 7/1962 Smith F16K 1/422
137/315.05
- 3,269,228 A * 8/1966 Mack B25B 13/06
81/177.6
- 4,436,005 A * 3/1984 Hanson B25B 13/481
81/177.75
- D276,879 S * 12/1984 Bell D8/70
- 4,822,223 A * 4/1989 Williams F16B 37/122
403/268
- 5,728,136 A * 3/1998 Thal A61B 17/0401
606/232
- 5,820,092 A 10/1998 Thaler

- 5,927,921 A * 7/1999 Hukari F16B 31/06
411/186
 - 6,361,258 B1 * 3/2002 Heesch F16B 23/0084
411/178
 - 6,387,129 B2 * 5/2002 Rieser A61B 17/8615
606/318
 - 6,457,923 B1 * 10/2002 Grossman A47C 17/1753
411/104
 - 6,478,518 B1 * 11/2002 Hwang F16B 12/14
411/104
 - 6,540,750 B2 * 4/2003 Burkhart A61B 17/0401
606/232
 - D588,893 S * 3/2009 Radich D8/70
- (Continued)

FOREIGN PATENT DOCUMENTS

JP 2000-345664 A 12/2000

OTHER PUBLICATIONS

U.S. Appl. No. 15/138,030, "Hybrid Solar Panel Mounting Assembly", filed Apr. 25, 2016, Inventor Nathan Schuit et al.

Primary Examiner — Cynthia Underwood
(74) *Attorney, Agent, or Firm* — Crowell & Moring LLP

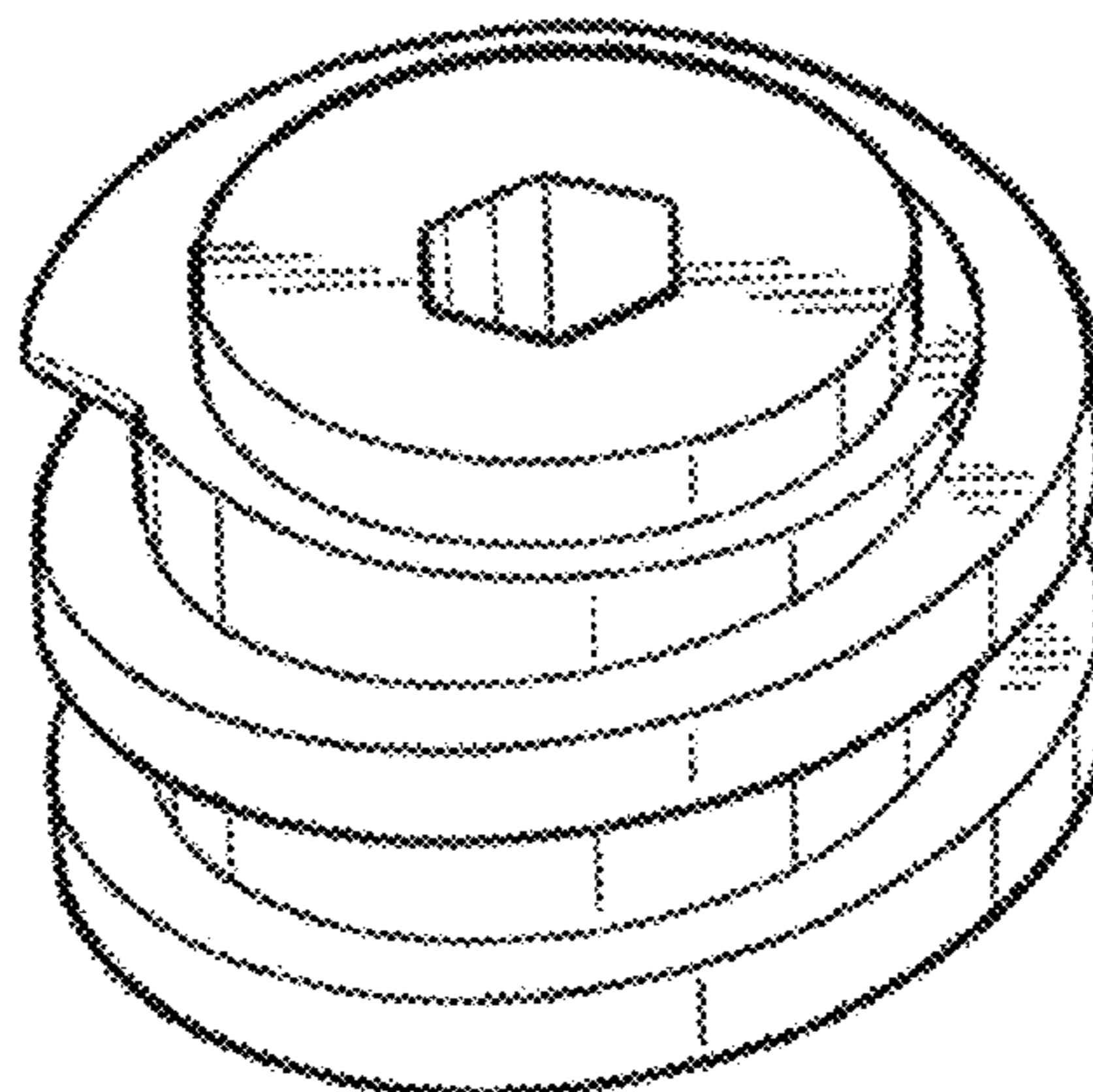
(57) **CLAIM**

The ornamental design for a helical drive, as shown and described.

DESCRIPTION

FIG. 1 is a top perspective view of a helical drive according to the design;
FIG. 2 is a top plan view thereof;
FIG. 3 is a bottom plan view thereof;
FIG. 4 is a left side elevational view thereof;
FIG. 5 is a middle side elevational view thereof;
FIG. 6 is a right side elevational view thereof; and,
FIG. 7 is a bottom perspective view thereof.

1 Claim, 3 Drawing Sheets



(56)

References Cited

U.S. PATENT DOCUMENTS

D613,594 S *	4/2010	Huang	D12/213	9,076,899 B2	7/2015	Schrock	
D613,595 S *	4/2010	Huang	D12/213	9,080,792 B2	7/2015	Patton et al.	
7,981,143 B2 *	7/2011	Doubler	F16B 37/0864 606/300	9,097,443 B2	8/2015	Liu et al.	
8,109,048 B2	2/2012	West et al.			9,166,524 B2	10/2015	West et al.	
8,272,174 B2	9/2012	Stearns et al.			D788,574 S *	6/2017	Baiz D8/387
8,353,650 B2	1/2013	Wiley et al.			2006/0039775 A1	2/2006	Mizuno et al.	
8,375,645 B2	2/2013	Iwauchi et al.			2008/0053517 A1	3/2008	Plaisted et al.	
D691,033 S *	10/2013	Allman	D8/397	2011/0000519 A1	1/2011	West	
8,622,677 B2 *	1/2014	Wu	B60S 9/08 411/427	2011/0000544 A1	1/2011	West	
D698,637 S *	2/2014	Su	D8/397	2011/0260027 A1	10/2011	Farnham, Jr.	
8,752,338 B2	6/2014	Schaefer et al.			2012/0192926 A1	8/2012	Kambara et al.	
8,806,813 B2	8/2014	Plaisted et al.			2012/0234378 A1	9/2012	West et al.	
D713,243 S *	9/2014	Hsu	D8/397	2012/0301661 A1	11/2012	West et al.	
8,919,053 B2	12/2014	West			2013/0048816 A1	2/2013	Wentworth et al.	
D721,423 S *	1/2015	Jacques	D23/260	2013/0048816 A1	6/2014	West et al.	
8,935,893 B2	1/2015	Liu et al.			2014/0175244 A1	6/2014	West et al.	
8,938,932 B1	1/2015	Wentworth et al.			2015/0013237 A1	1/2015	Schaefer et al.	
9,004,836 B2 *	4/2015	Wells	F16B 23/0007 411/402	2015/0068590 A1	3/2015	West et al.	
					2015/0129517 A1	5/2015	Wildes	
					2015/0168021 A1	6/2015	Wentworth et al.	
					2015/0204583 A1	7/2015	Stephan et al.	
					2015/0244308 A1	8/2015	Patton et al.	
					2015/0280638 A1	10/2015	Stephan et al.	
					2015/0288320 A1	10/2015	Stearns et al.	

* cited by examiner

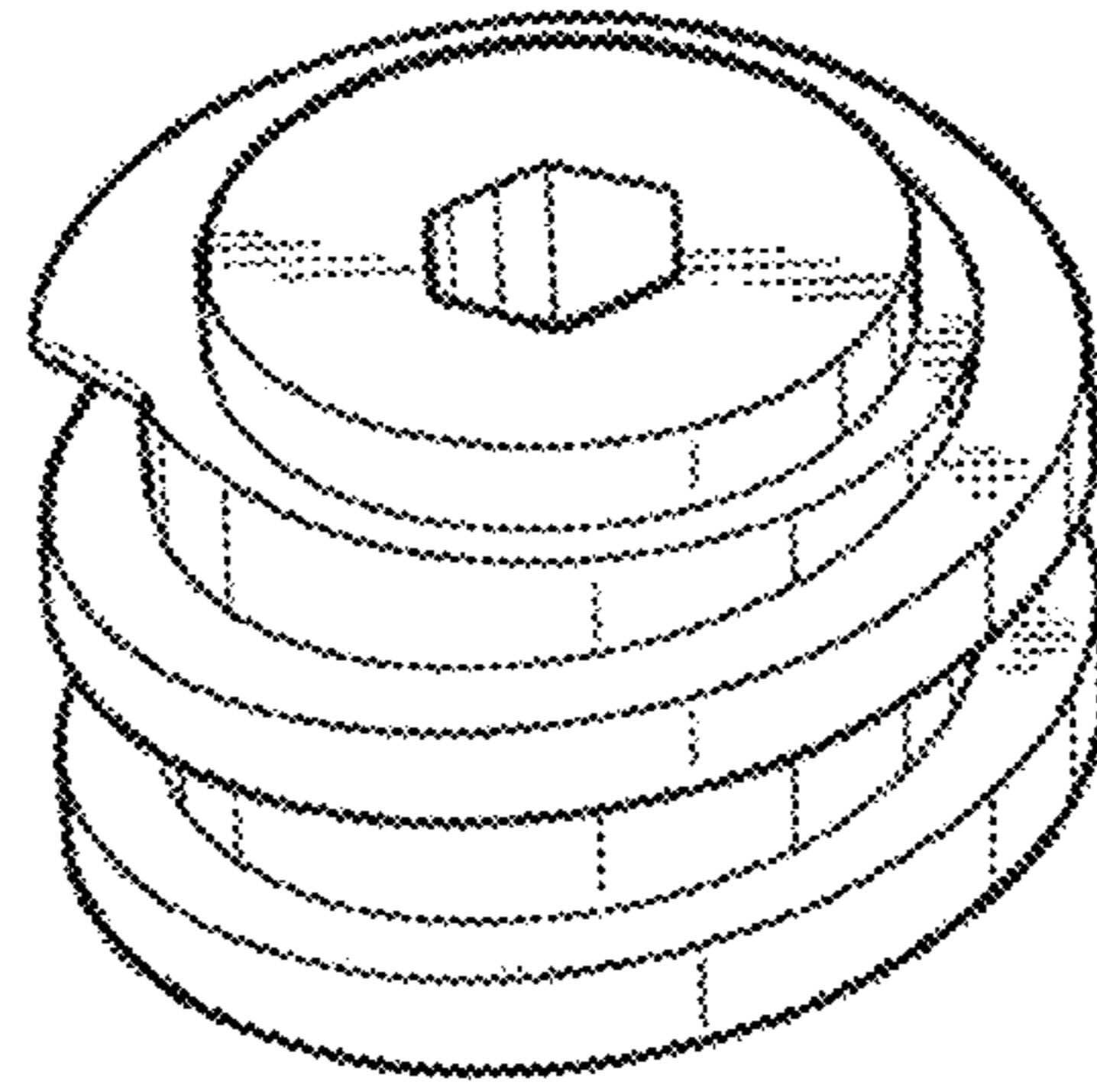


FIG. 1

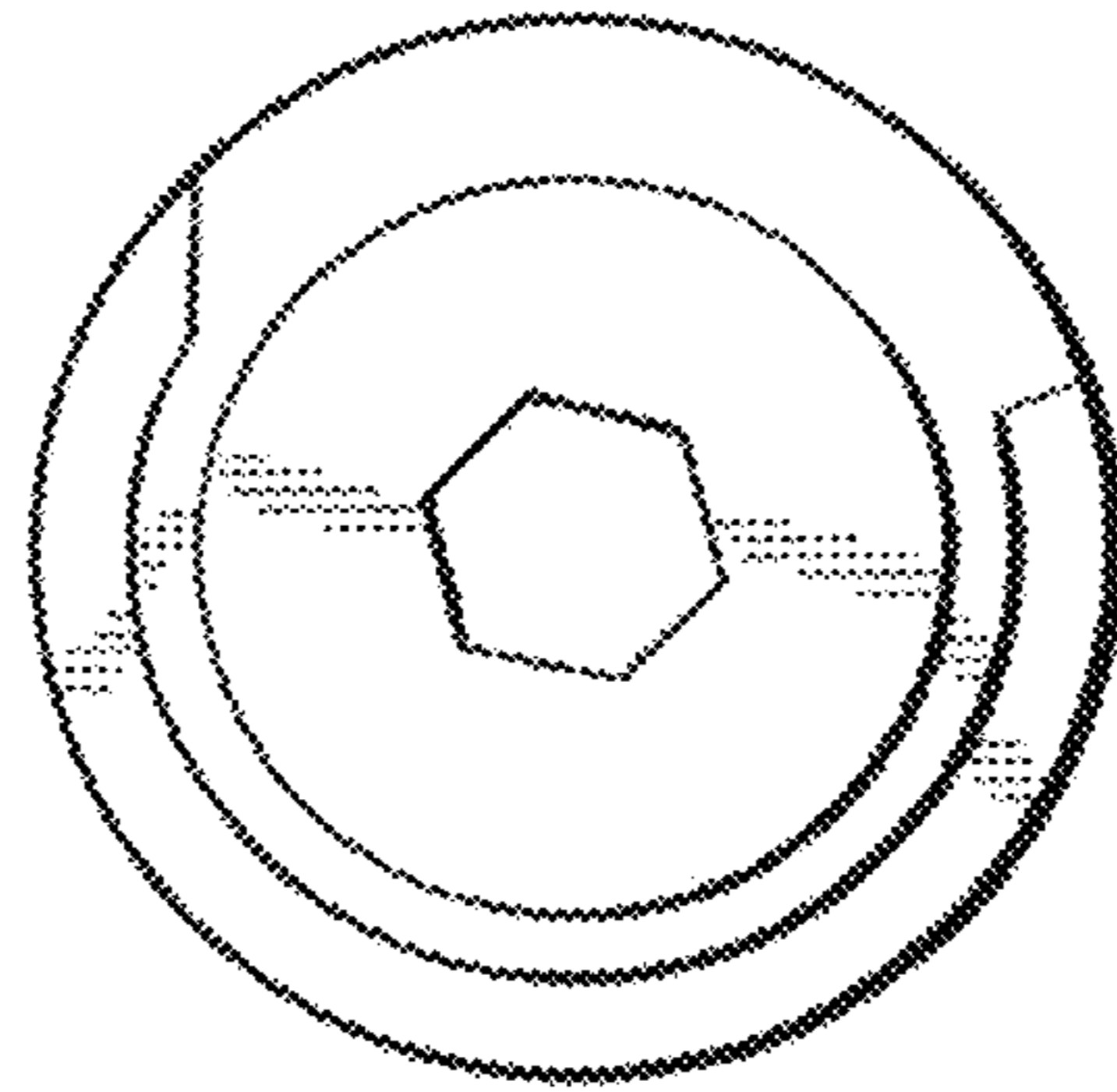


FIG. 2

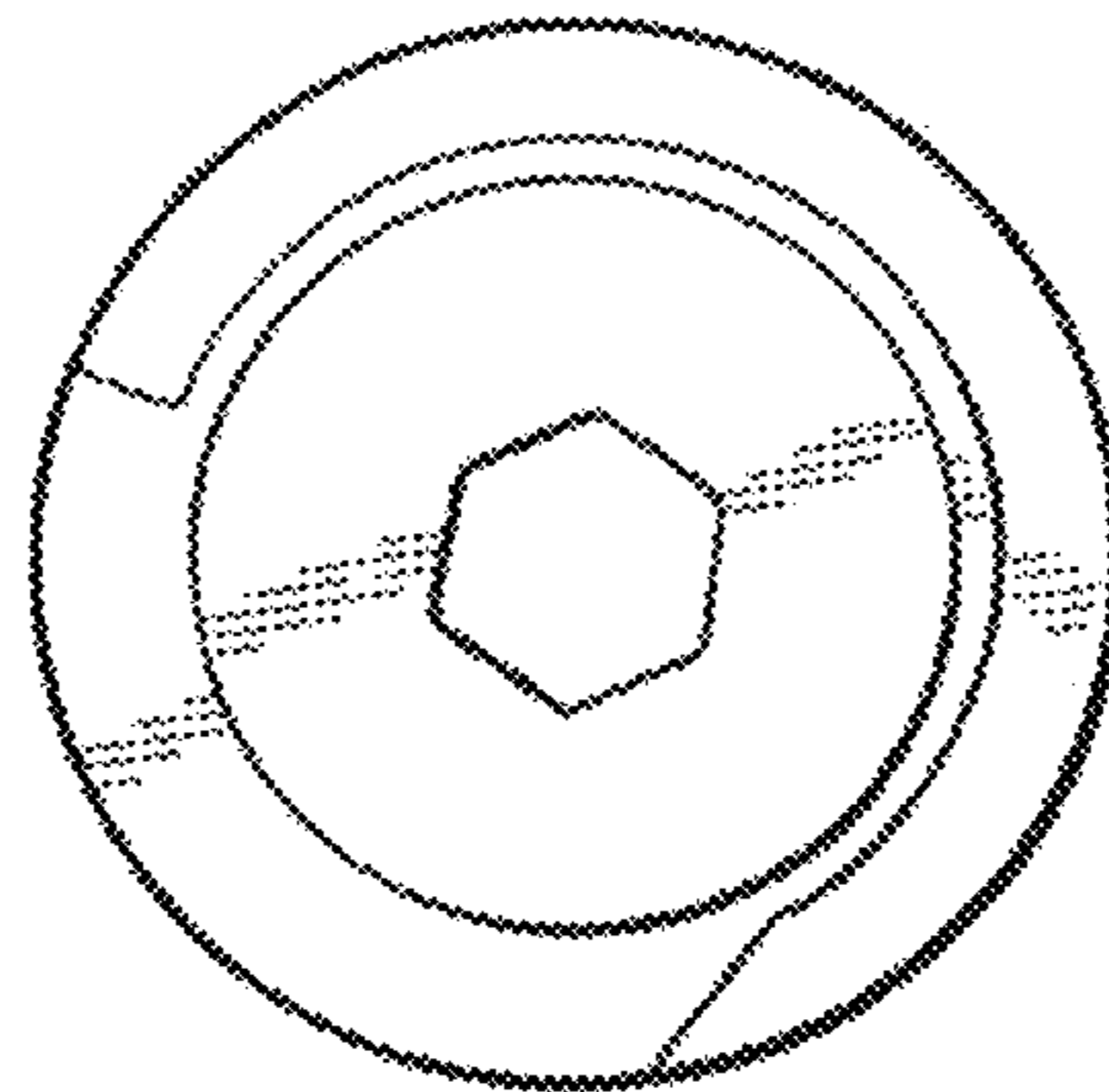


FIG. 3

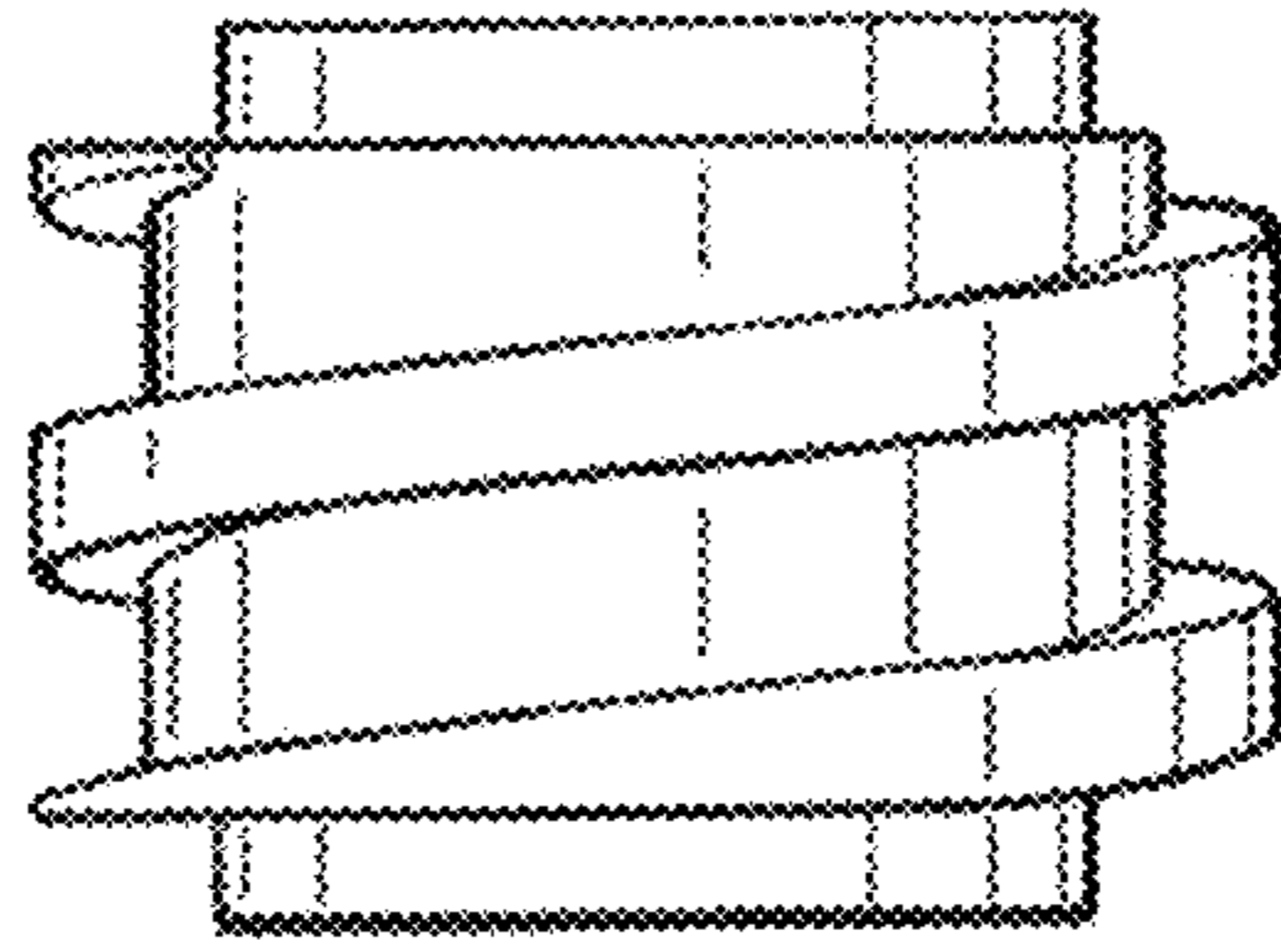


FIG. 4

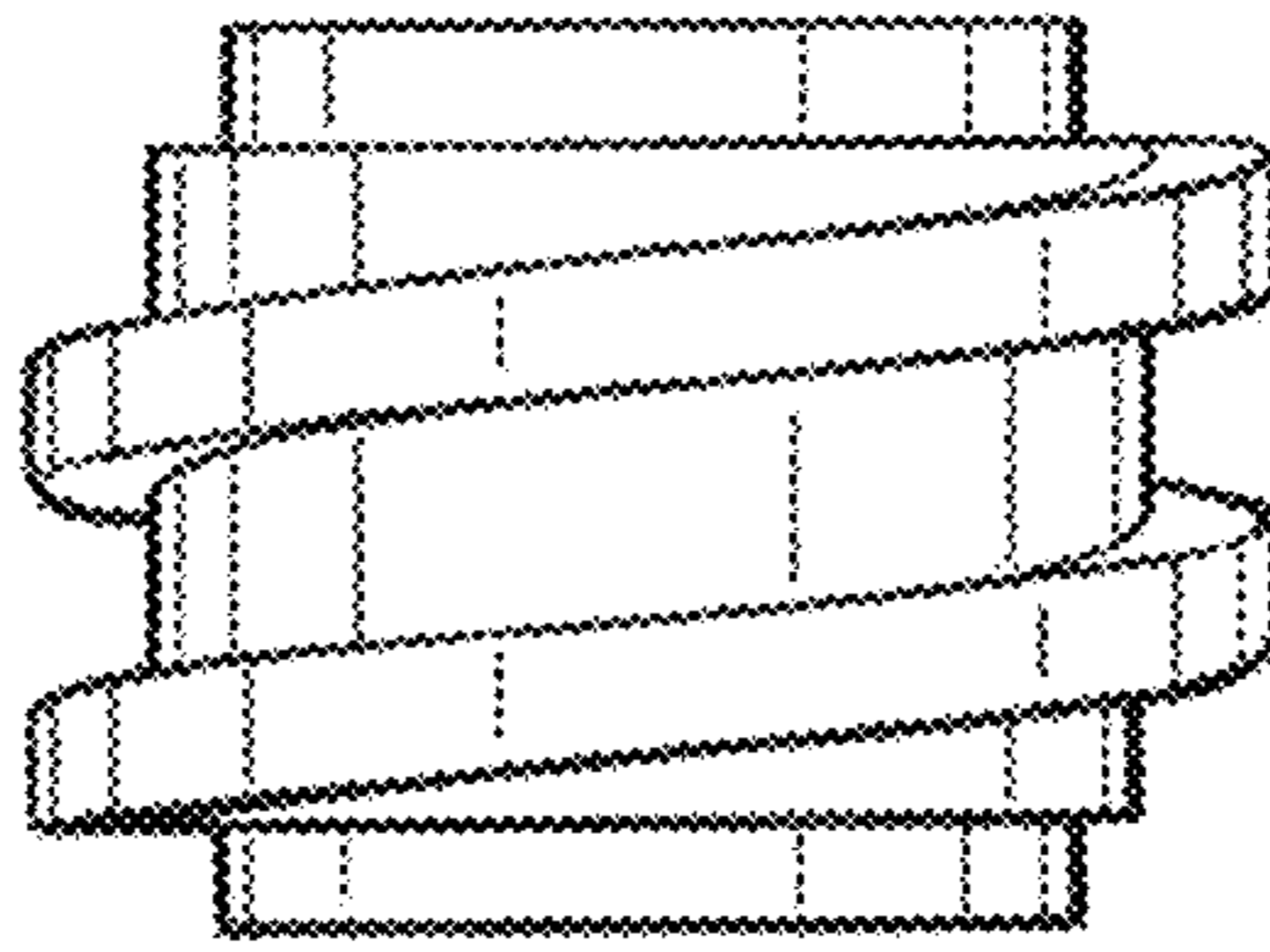


FIG. 5

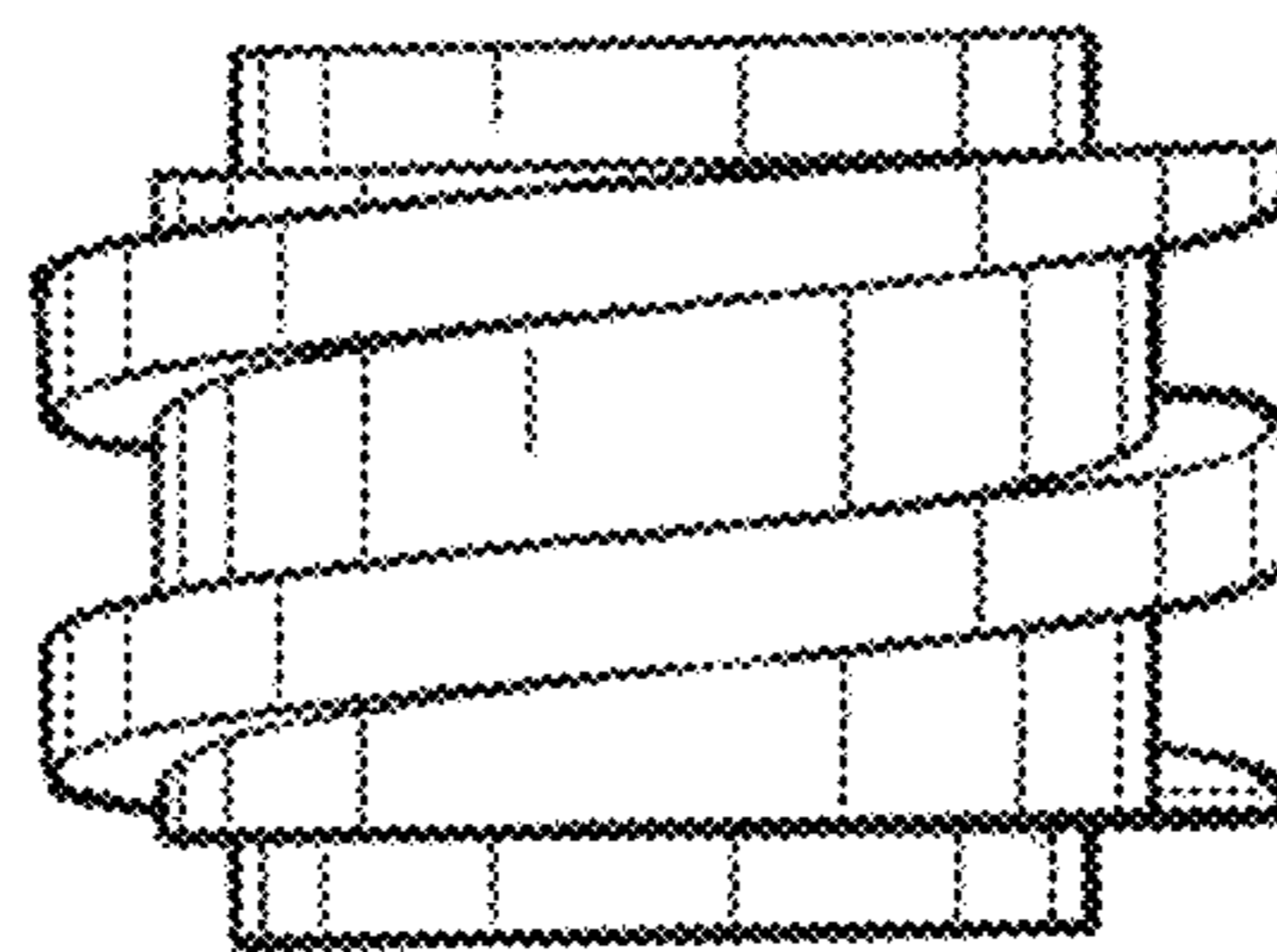


FIG. 6

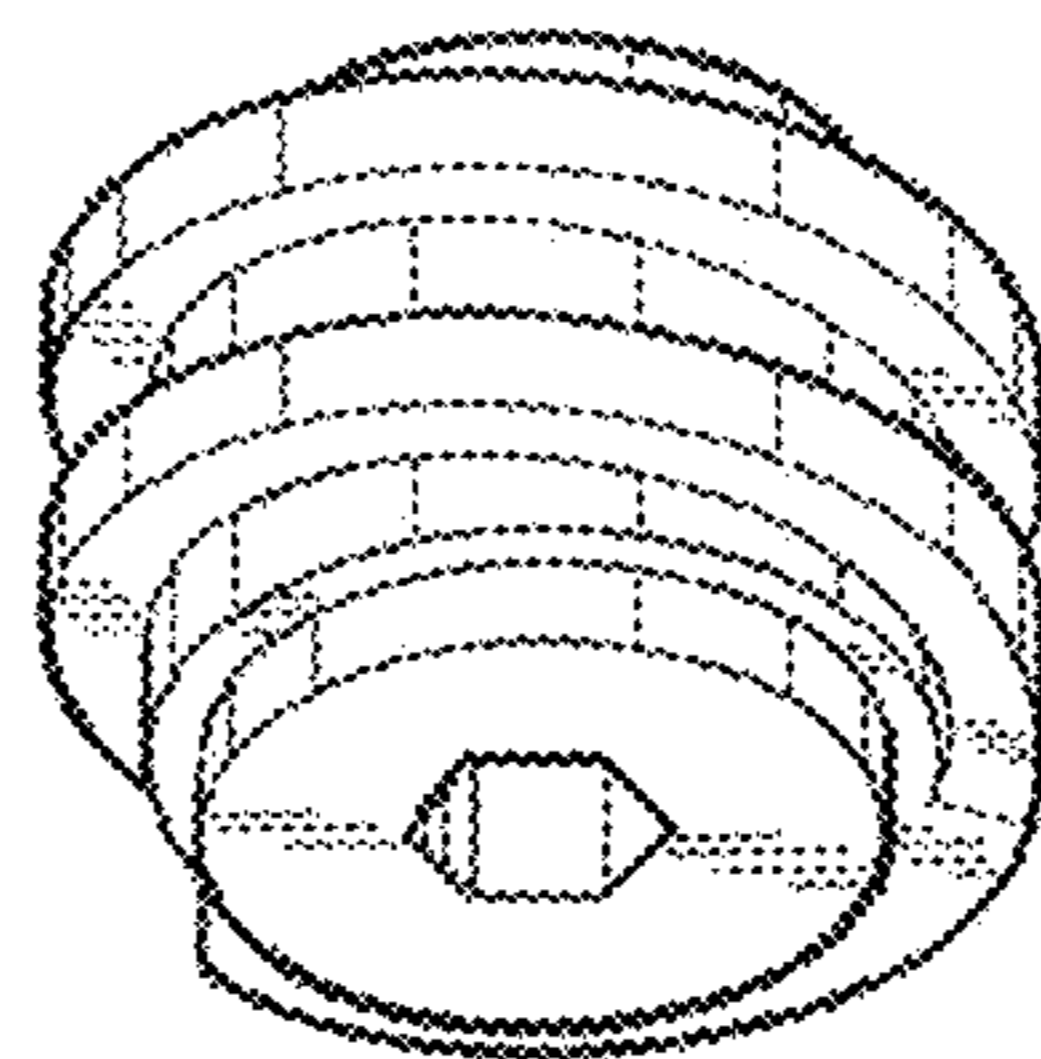


FIG. 7