



US00D803039S

(12) **United States Design Patent** (10) **Patent No.:** **US D803,039 S**  
**Karlsson** (45) **Date of Patent:** **\*\* Nov. 21, 2017**

(54) **SCREW** F16B 37/127; F16B 39/284; F16B 3/06;  
 F16B 43/001; B25B 15/00

(71) Applicant: **TROAX AB**, Hillerstorp (SE) See application file for complete search history.

(72) Inventor: **Adam Karlsson**, Åsenhöga (SE) (56)

(73) Assignee: **TROAX AB**, Hillerstorp (SE)

(\*\*) Term: **15 Years**

(21) Appl. No.: **35/501,530**

(22) Filed: **Aug. 29, 2016**

(80) **Hague Agreement Data**

Int. Filing Date: **Aug. 29, 2016**

Int. Reg. No.: **DM/092331**

Int. Reg. Date: **Aug. 29, 2016**

Int. Reg. Pub. Date: **Sep. 9, 2016**

(51) **LOC (10) Cl.** ..... **08-08**

(52) **U.S. Cl.**  
 USPC ..... **D8/387**

(58) **Field of Classification Search**

USPC ..... D8/387, 307, 308

CPC ..... F16B 23/003; F16B 23/0038; F16B

23/0053; F16B 23/0023; F16B 25/00;

F16B 23/00; F16B 23/0015; F16B 31/00;

F16B 33/02; F16B 35/041; F16B 35/06;

F16B 23/0069; F16B 23/0092; F16B

25/0015; F16B 25/0026; F16B 25/0047;

F16B 25/0068; F16B 35/042; F16B

35/065; F16B 5/0275; F16B 15/00; F16B

15/0092; F16B 15/02; F16B 15/06; F16B

23/0007; F16B 23/0061; F16B 25/0031;

F16B 25/10; F16B 25/106; F16B 31/02;

F16B 31/024; F16B 31/043; F16B

33/004; F16B 33/006; F16B 35/00; F16B

35/048; F16B 37/045; F16B 37/125;

**References Cited**

U.S. PATENT DOCUMENTS

D51,291 S *	9/1917	Vorel .....	D8/387
D338,393 S *	8/1993	Mine .....	D8/387
D441,633 S *	5/2001	Jenks .....	D8/307
D532,682 S *	11/2006	Maciag .....	D8/387
D534,784 S *	1/2007	Veltz .....	D8/308
D564,331 S *	3/2008	Borgonovo .....	D8/307
D698,634 S *	2/2014	Oetlinger .....	D8/387
D699,555 S *	2/2014	Yazich .....	D8/387
D747,643 S *	1/2016	Grace .....	D8/349
D789,765 S *	6/2017	Wang .....	D8/308

\* cited by examiner

*Primary Examiner* — Barbara Fox

*Assistant Examiner* — Eliza Bennett-Hattan

(74) *Attorney, Agent, or Firm* — Bergensträhle & Partners  
 Småland AB

(57) **CLAIM**

The ornamental design for a screw, as shown and described.

**DESCRIPTION**

1. Screw

**1.1** is a perspective view.

**1.2** is a left side view.

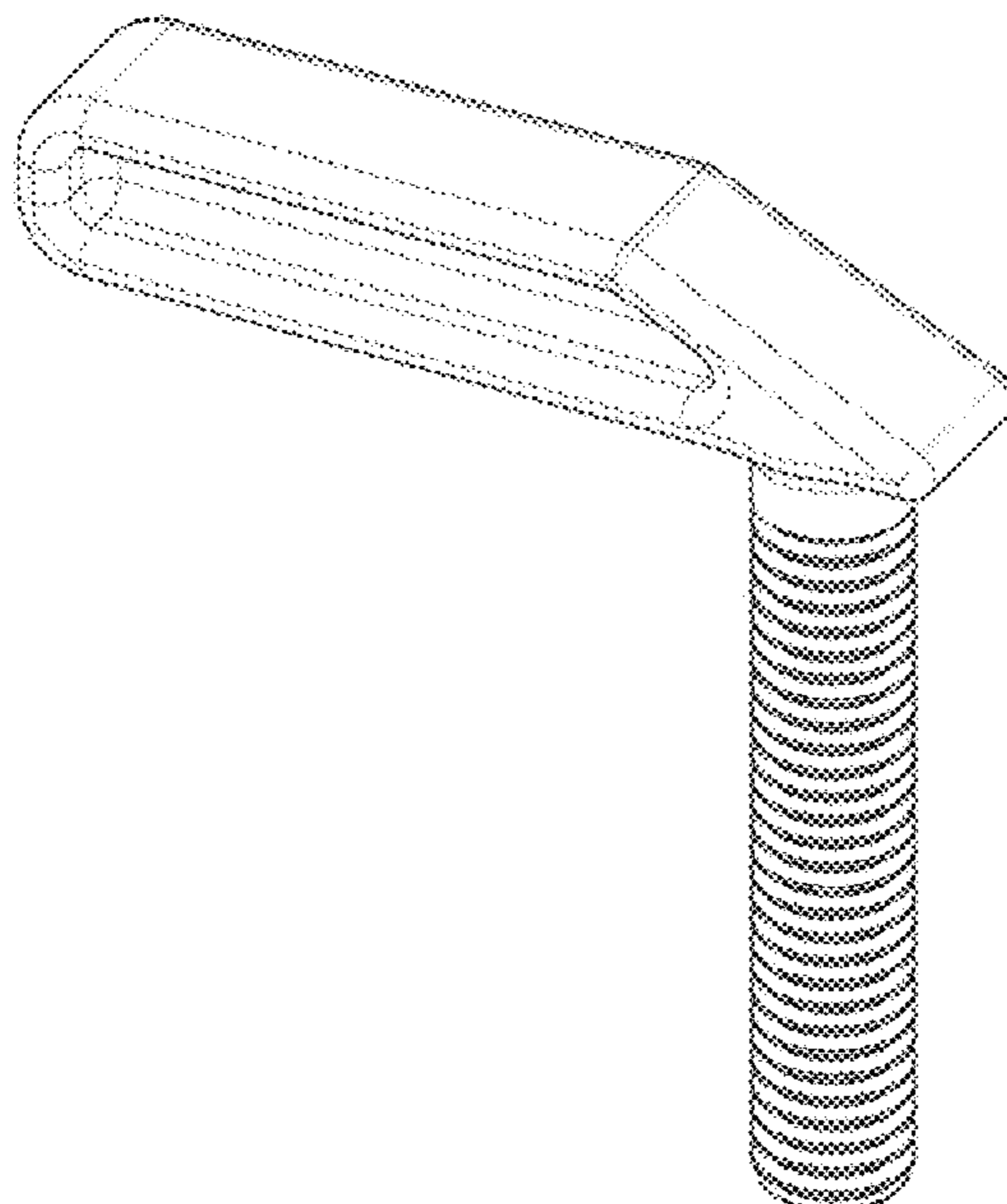
**1.3** is a front view.

**1.4** is a rear view.

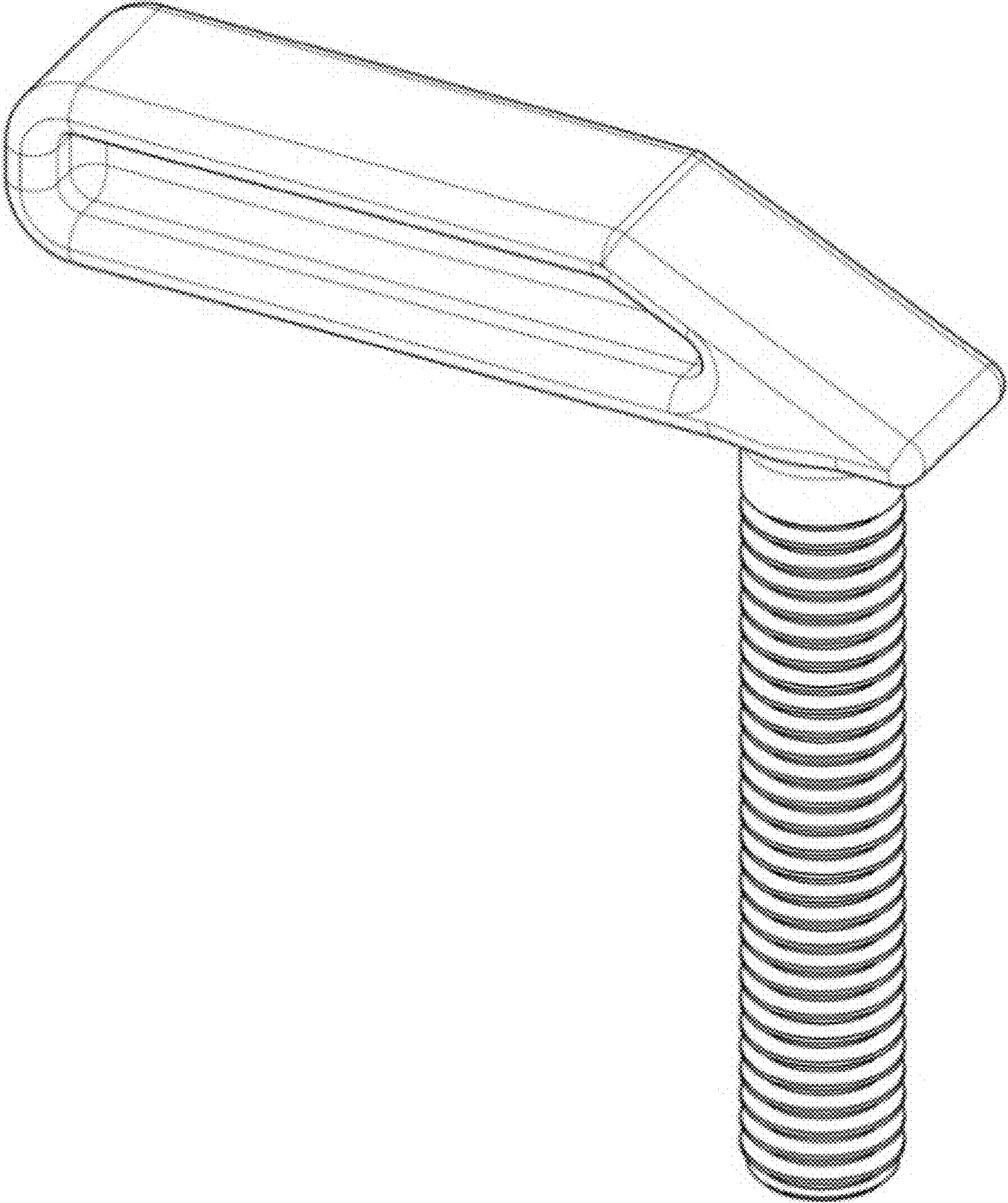
**1.5** is a top view.

**1.6** is a bottom view.

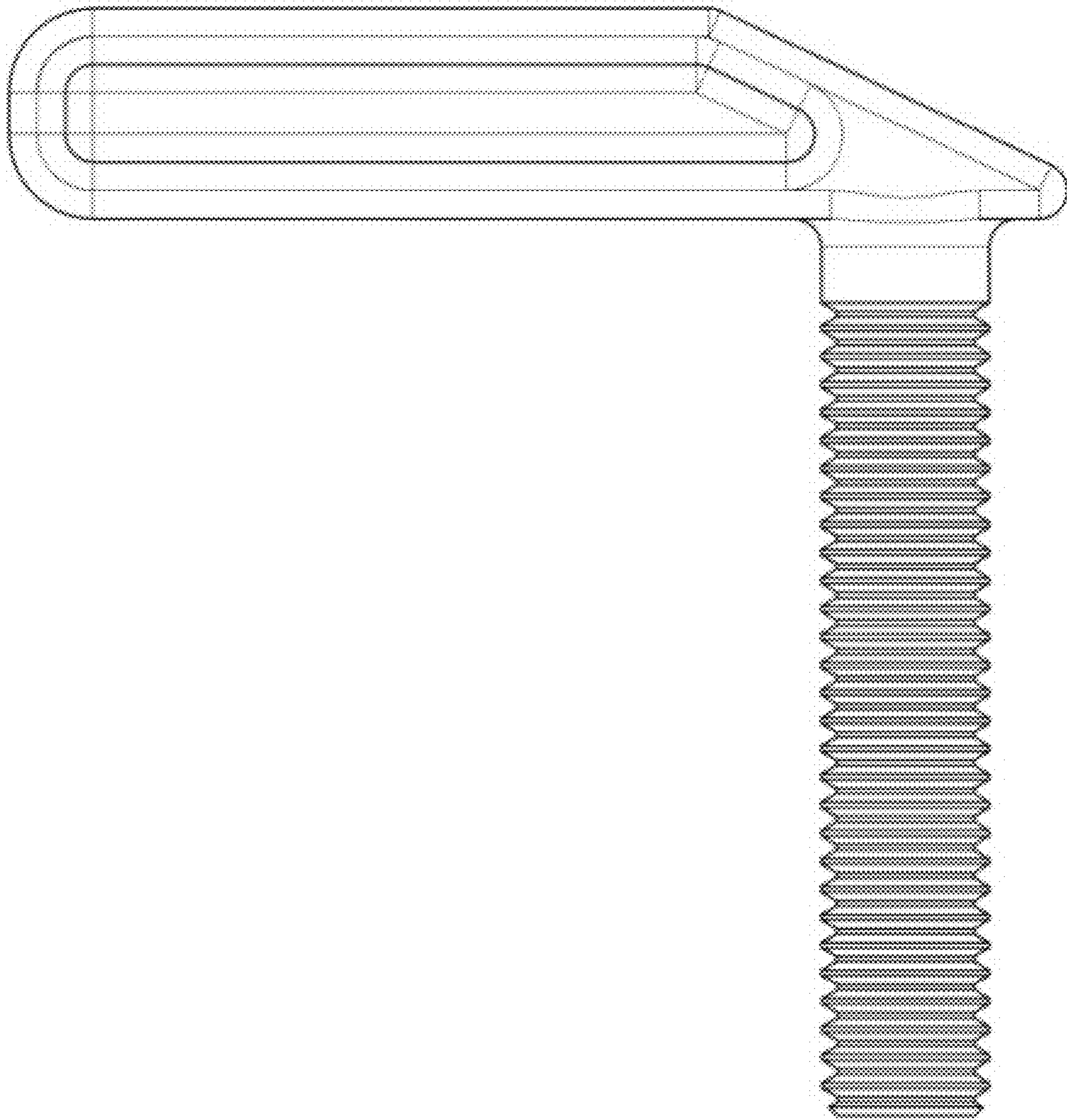
**1 Claim, 6 Drawing Sheets**



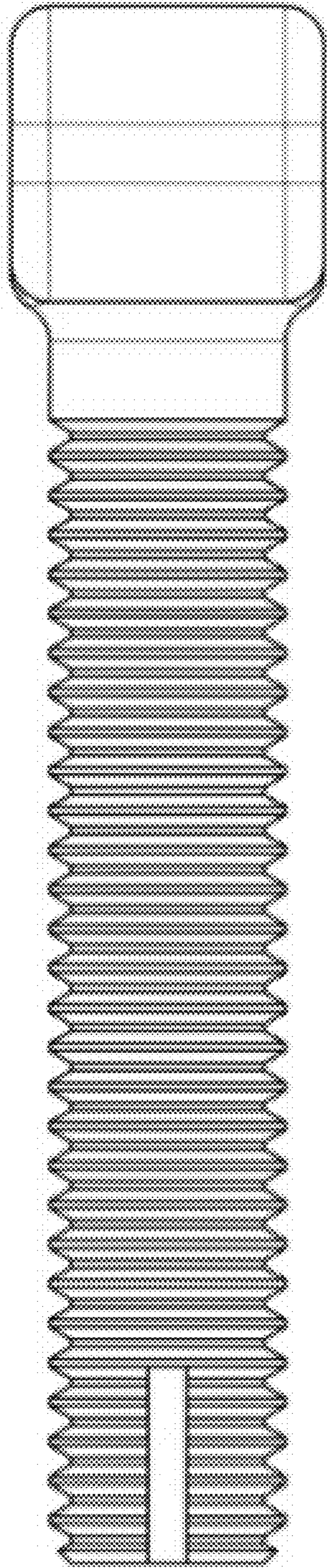
**1.1**



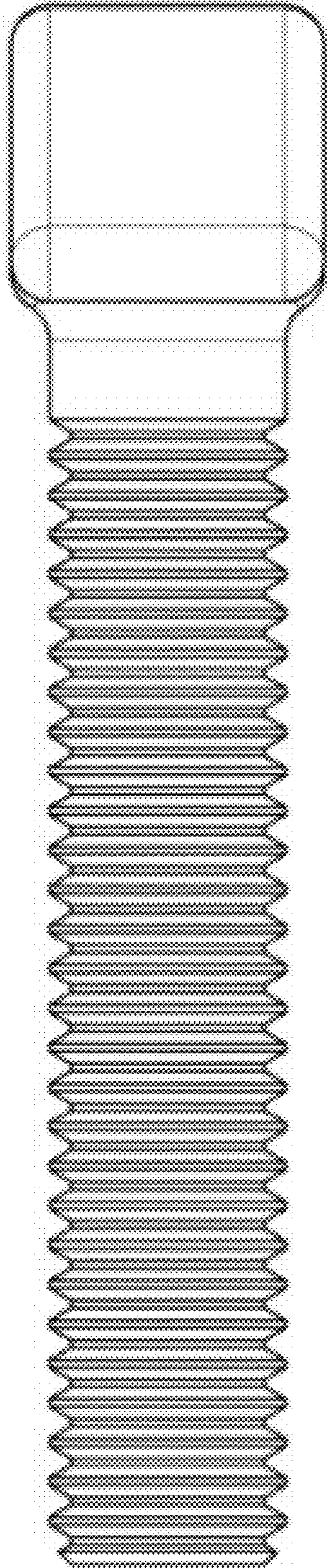
**1.2**



# 1.3



**1.4**



**1.5**



**1.6**

