



US00D803038S

(12) **United States Design Patent** (10) **Patent No.:** **US D803,038 S**
Baker et al. (45) **Date of Patent:** **** Nov. 21, 2017**

(54) **LOW PROFILE, NON-SLOTTED, EASILY CLEANABLE FASTENER FOR FOOD SPLASH ZONES OR FOOD-CONTACT SURFACES OF CRUISE VESSELS**

8,038,376 B2 * 10/2011 Jung F16B 39/30
411/308
D726,531 S * 4/2015 Muzic D8/387
D760,582 S * 7/2016 Muzic D8/387
D764,267 S * 8/2016 Hutter, III D8/387
2005/0058525 A1 * 3/2005 Bakos F16B 35/048
411/424
2010/0166525 A1 * 7/2010 Dvorak F16B 37/0821
411/433
2016/0131171 A1 * 5/2016 Hamada F16B 25/00
411/386
2016/0254518 A1 * 9/2016 Kato H01R 11/283

(71) Applicant: **Automatic Bar Controls, Inc.**,
Vacaville, CA (US)
(72) Inventors: **Bret D. Baker**, Vacaville, CA (US);
Thomas R. Hecht, Winters, CA (US)
(73) Assignee: **Automatic Bar Controls, Inc.**,
Vacaville, CA (US)

(**) Term: **15 Years**

(21) Appl. No.: **29/547,868**

(22) Filed: **Dec. 8, 2015**

(51) **LOC (10) Cl.** **08-08**

(52) **U.S. Cl.**
USPC **D8/387**

(58) **Field of Classification Search**
USPC D8/382, 387, 388, 391, 393, 397, 399
CPC .. F16B 23/00; F16B 23/0038; F16B 23/0046;
F16B 23/0069; F16B 23/0007; F16B
33/02; F16B 25/0015; F16B 25/0021;
F16B 25/0026; F16B 25/0031; F16B
25/0084; F16B 25/0036; Y10S 411/91

See application file for complete search history.

(56) **References Cited**

U.S. PATENT DOCUMENTS

3,828,422 A * 8/1974 Schmitt F16B 4/004
29/524.1
D360,575 S * 7/1995 Saito D8/387
D423,920 S * 5/2000 Lodi D8/387
6,375,401 B1 * 4/2002 McNeill F16B 33/02
411/411
D482,957 S * 12/2003 Lajeunesse D8/387
D601,004 S * 9/2009 Hagins D8/387
D614,941 S * 5/2010 Murphy D8/387

OTHER PUBLICATIONS

Wrong lug nuts on wheels, image post date: Jun. 19, 2013 (Online),
Site visited on Dec. 21, 2016, <<https://www.golfmk6.com/forums/showthread.php?t=61329&page=2>>.*

* cited by examiner

Primary Examiner — Sandra Snapp

Assistant Examiner — Ieisha Price

(74) *Attorney, Agent, or Firm* — Kilpatrick Townsend &
Stockton LLP

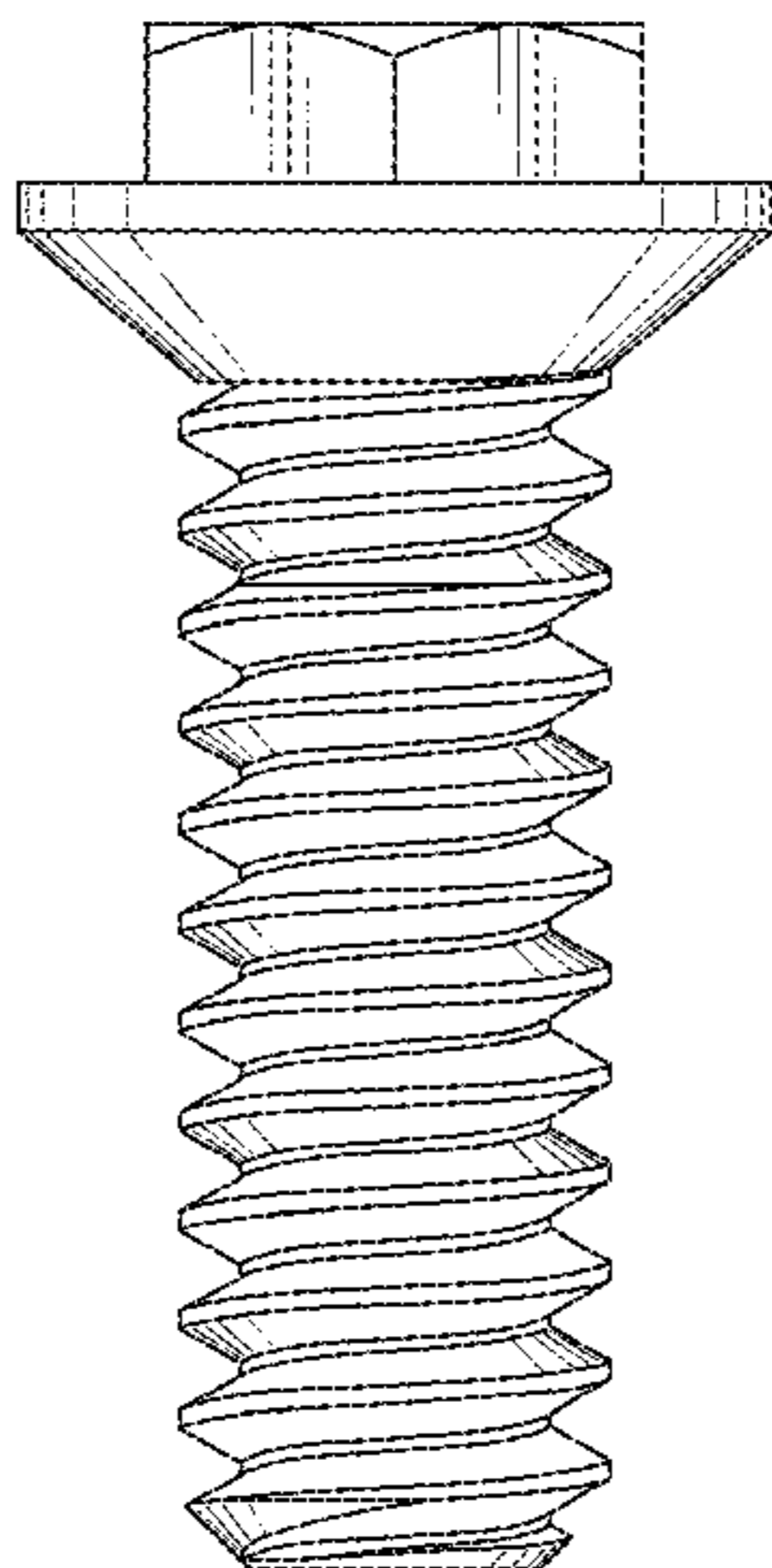
(57) **CLAIM**

The ornamental design for a low profile, non-slotted, easily cleanable fastener for food splash zones or food-contact surfaces of cruise vessels, as shown and described.

DESCRIPTION

FIG. 1 is a top perspective view of a low profile, non-slotted, easily cleanable fastener for food splash zones or food-contact surfaces of cruise vessels showing our new design; FIG. 2 is a bottom perspective view thereof; FIG. 3 is a front elevational view thereof; FIG. 4 is a top plan view thereof; FIG. 5 is a bottom plan view thereof; and, FIG. 6 is a cross-sectional view taken along the lines 6-6 in FIG. 4.

1 Claim, 5 Drawing Sheets



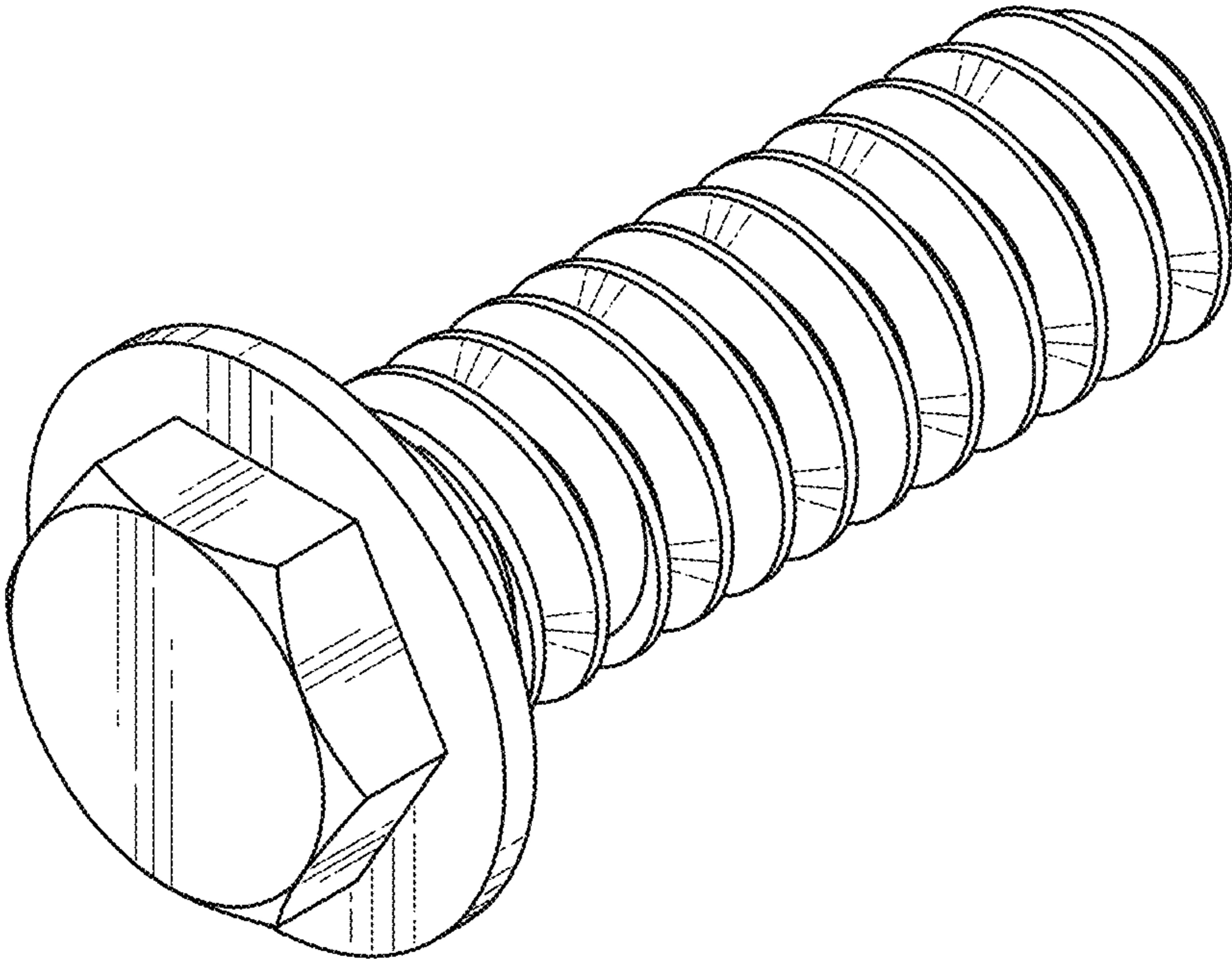


FIG. 1

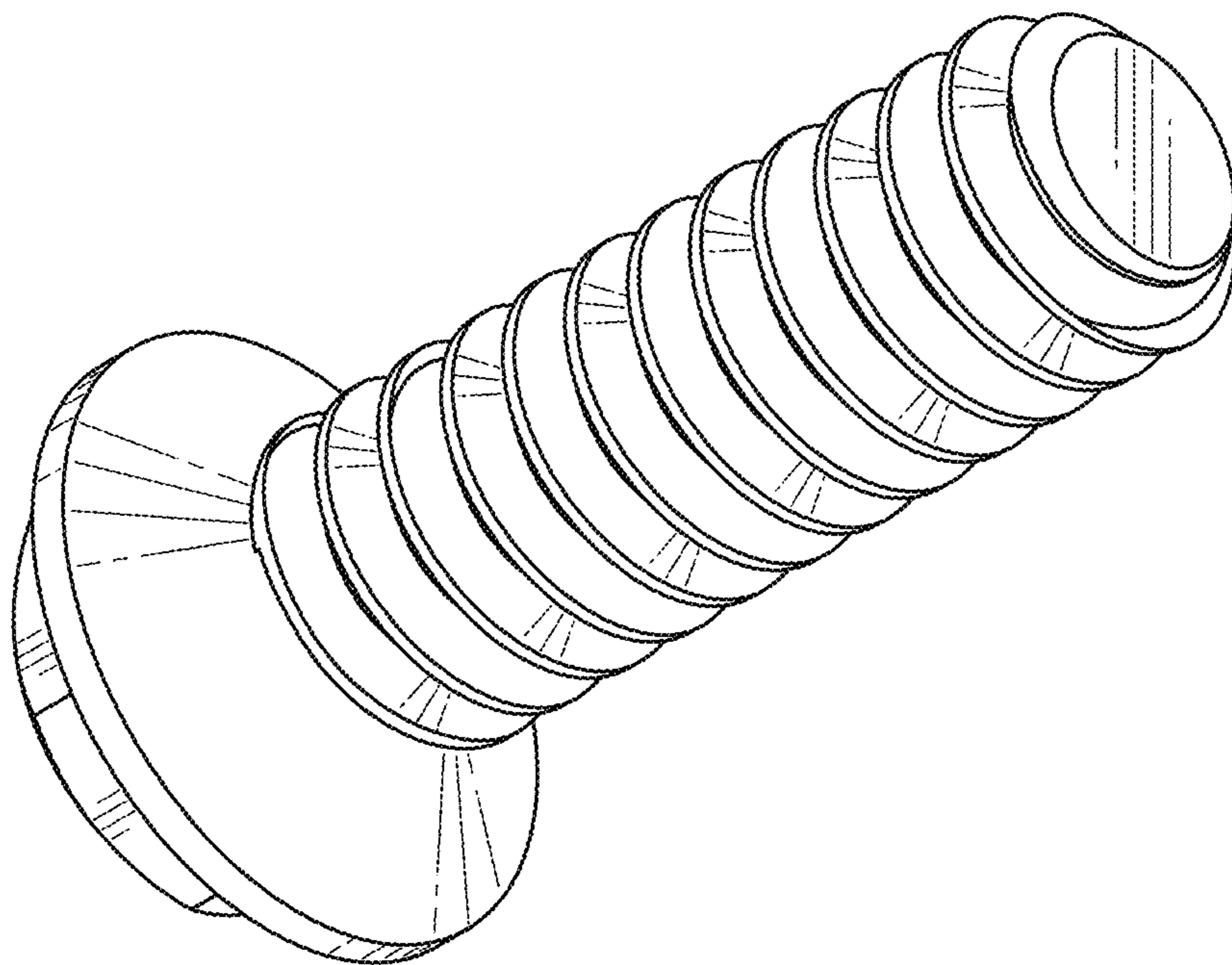


FIG. 2

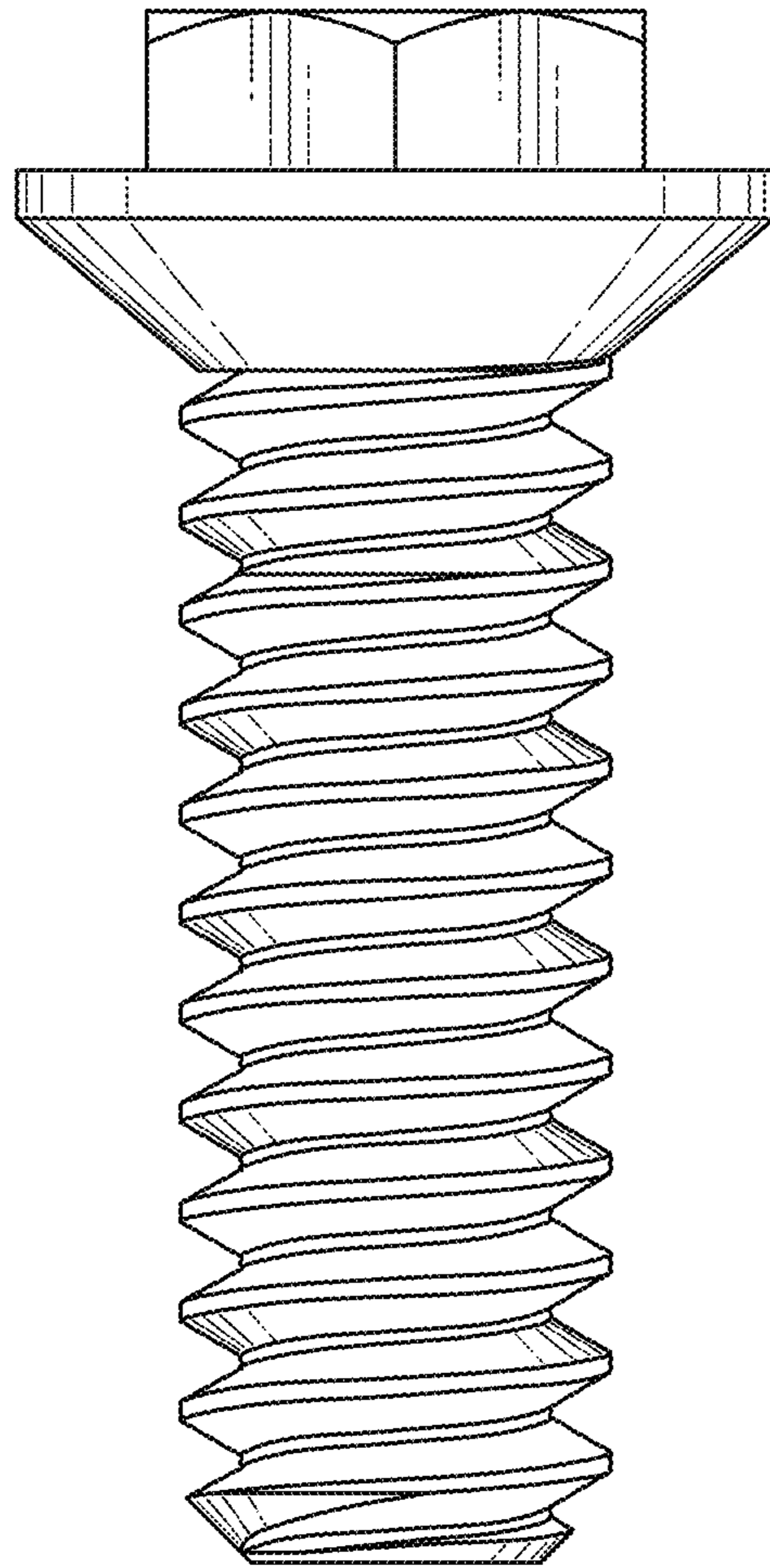


FIG. 3

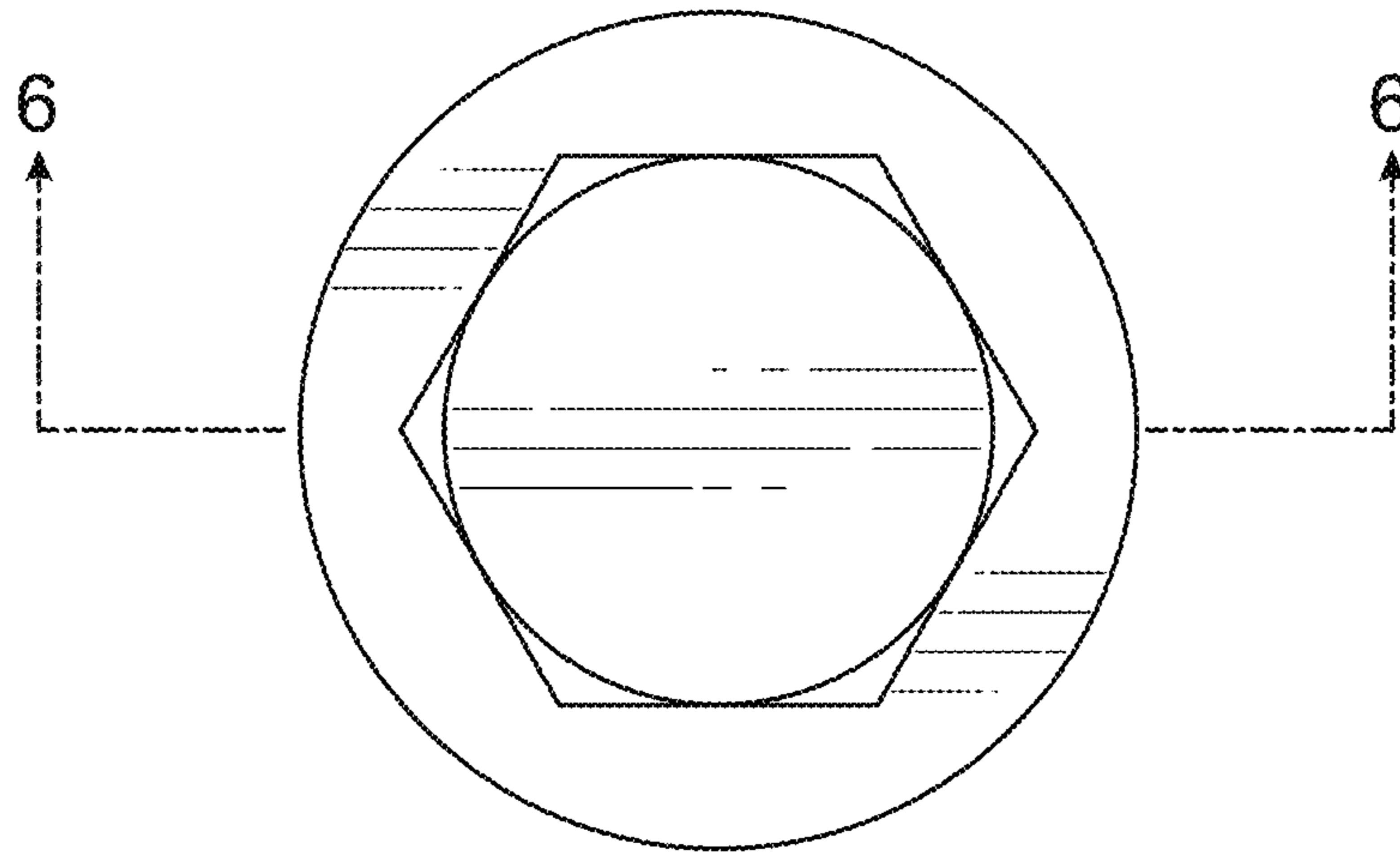


FIG. 4

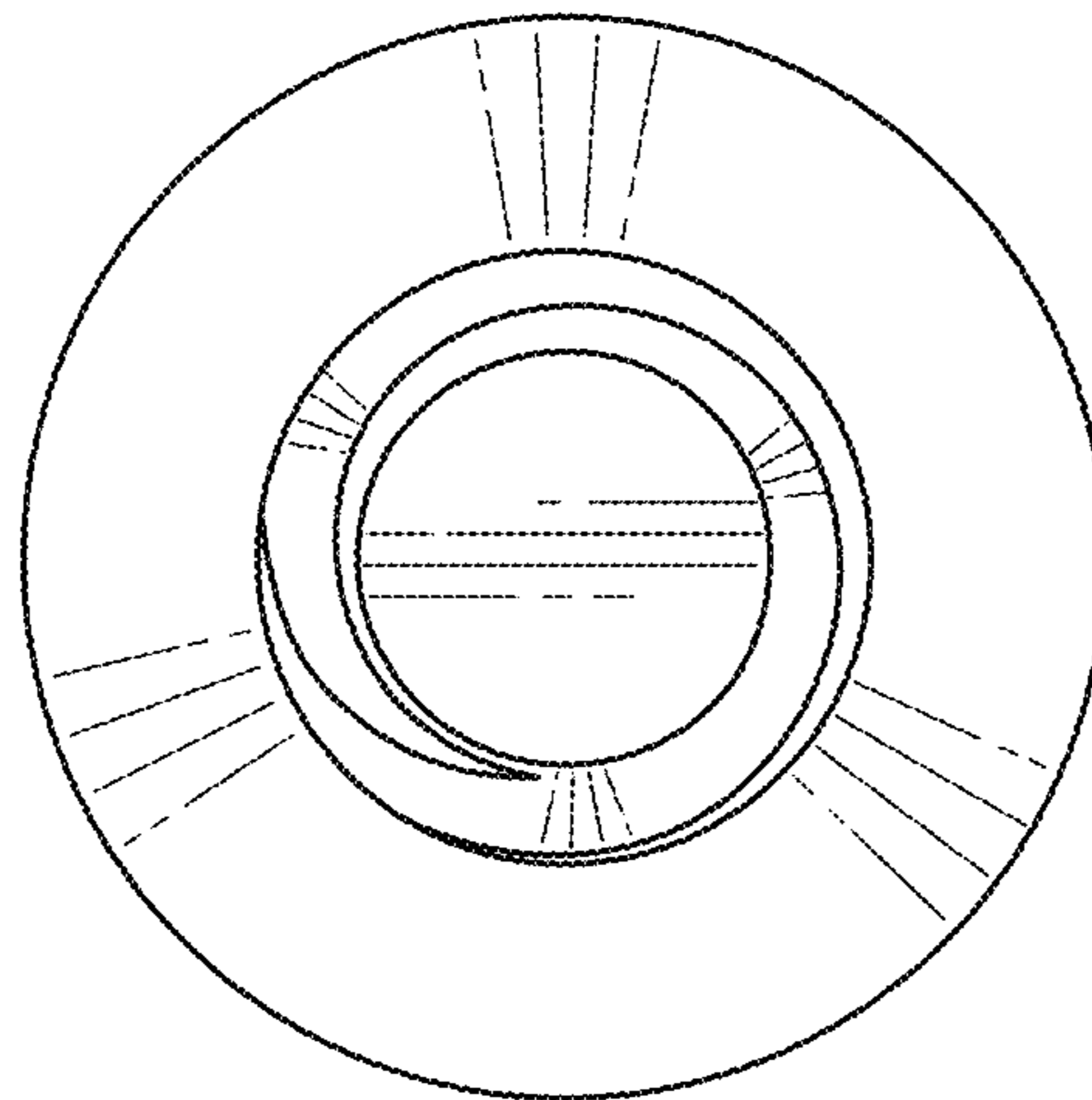


FIG. 5

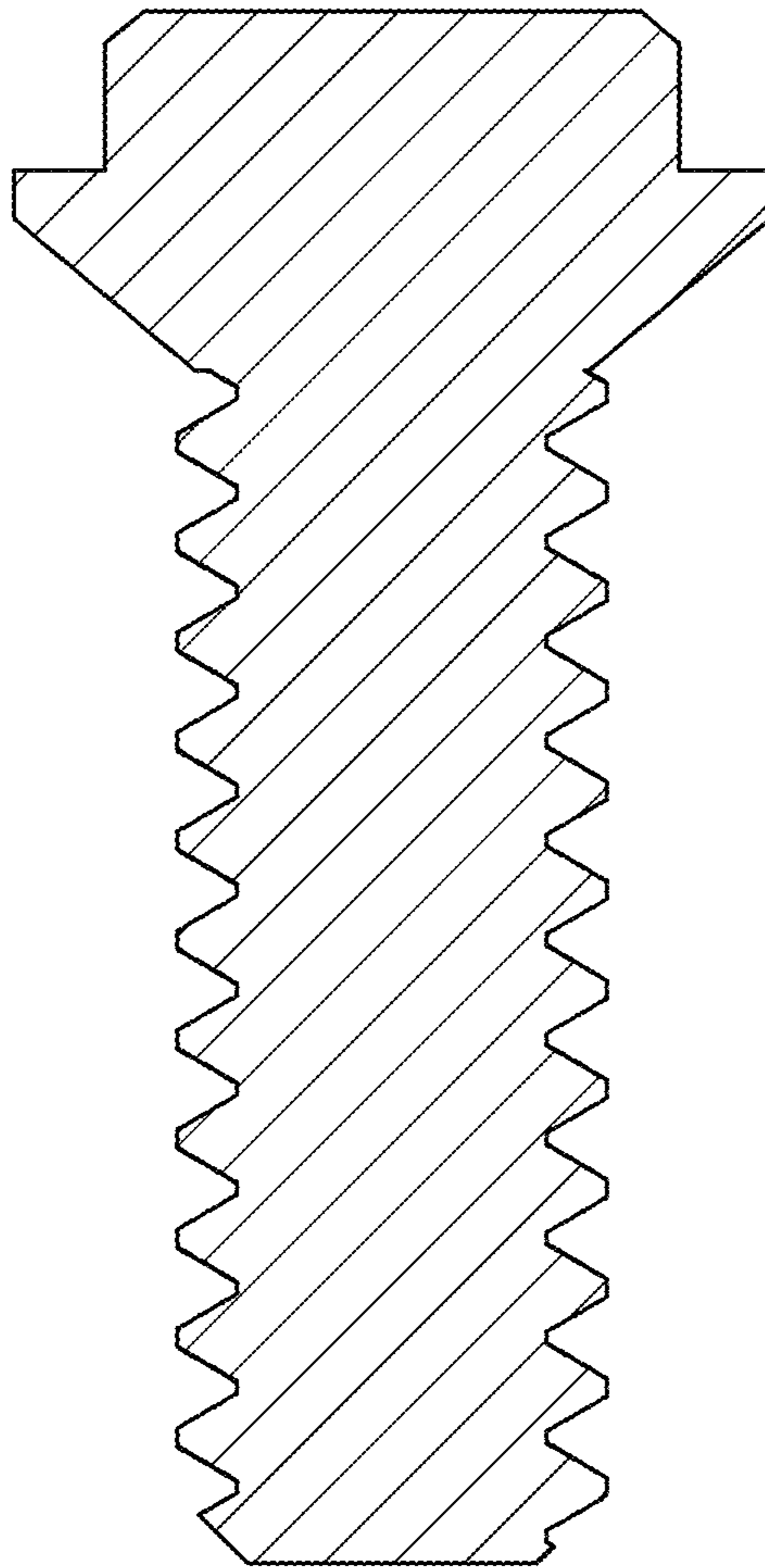


FIG. 6