



US00D803036S

(12) **United States Design Patent** (10) **Patent No.:** **US D803,036 S**
Horgen (45) **Date of Patent:** **** Nov. 21, 2017**

(54) **ICE AUGER CARRIER**
(71) Applicant: **Craig Koefod**, Ashby, MN (US)
(72) Inventor: **Lindsay Nathaniel Horgen**, Fergus Falls, MN (US)
(73) Assignee: **Craig Koefod**, Ashby, MN (US)
(**) Term: **15 Years**
(21) Appl. No.: **29/505,715**
(22) Filed: **Jan. 14, 2016**
(51) **LOC (10) Cl.** **08-05**
(52) **U.S. Cl.**
USPC **D8/380**
(58) **Field of Classification Search**
USPC D8/380; 173/152, 185; 175/18;
248/205.1, 288.31, 289.11, 299.1; 299/24
CPC . E21B 3/02; E21B 7/005; E21B 7/008; E21B
7/028; E21B 19/08; F16M 13/00
See application file for complete search history.

2010/0224746 A1* 9/2010 Johnson E21B 7/028
248/205.1
2010/0308093 A1 12/2010 Johnson
2014/0048662 A1* 2/2014 Ferris F16M 13/02
248/205.1

OTHER PUBLICATIONS

Excel-Outdoors—Jaws of Ice, posted at excel-outdoors.com, posted Mar. 23, 2016, [online], [site visited Sep. 22, 2016]. Available from Internet, <URL: <http://excel-outdoors.com/products/jaws-of-ice-auger-carrier>>.*
Rigging Your Ride for Success, posted at excel-outdoors.com, posted Mar. 23, 2016, [online], [site visited Sep. 22, 2016]. Available from Internet, <URL: <http://excel-outdoors.com/blogs/news/117442372-rigging-your-ride-for-success>>.*

* cited by examiner

Primary Examiner — George D Kirschbaum
Assistant Examiner — Maria Edwards
(74) *Attorney, Agent, or Firm* — Law Office of Mark Brown, LLC; Christopher M. DeBacker

(56) **References Cited**

U.S. PATENT DOCUMENTS

3,581,231 A * 5/1971 Freiberg H01S 3/086
248/466
D256,216 S * 8/1980 Van Horn 248/59
4,901,966 A * 2/1990 Mefferd H01S 3/086
248/299.1
5,595,333 A 1/1997 Boston
5,836,402 A * 11/1998 Jones E21B 7/008
173/152
6,889,779 B2 5/2005 Skarlupka et al.
D511,298 S * 11/2005 Layne D8/499
D512,893 S * 12/2005 Cowan D8/70
8,397,835 B1 * 3/2013 Lyngaas E21B 7/008
175/18
9,127,509 B2 * 9/2015 Robinson E21B 7/027

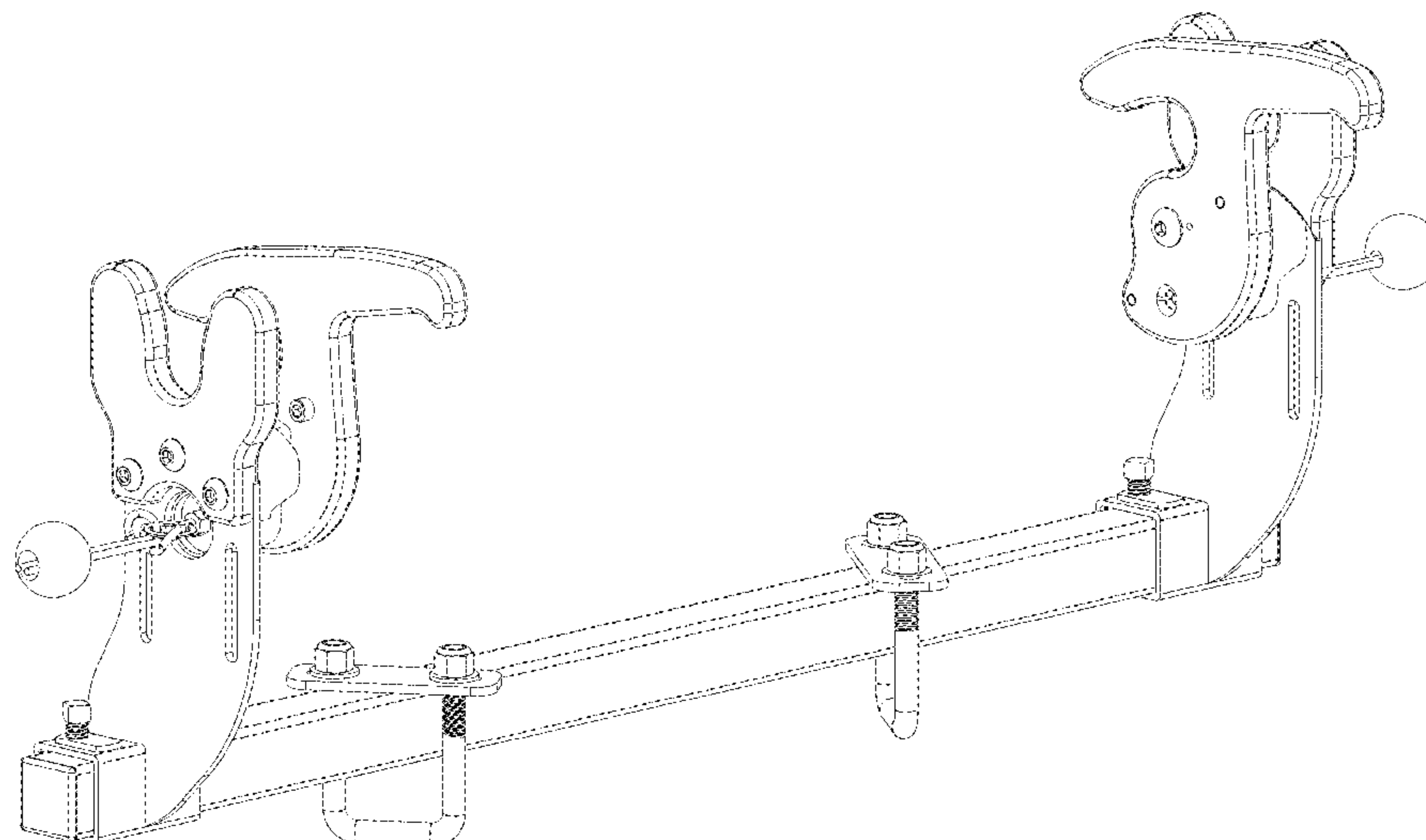
(57) **CLAIM**

The ornamental design for the ice auger carrier, as shown.

DESCRIPTION

FIG. 1 is a front left perspective view of the ice auger carrier showing my new design;
FIG. 2 is a right side elevation view of the ice auger carrier;
FIG. 3 is a left side elevation view of the ice auger carrier;
FIG. 4 is a rear elevation view of the ice auger carrier; and,
FIG. 5 is a top plan view of the ice auger carrier.
The broken line areas of FIGS. 1, 4, and 5 show portions of the article forming no part of the claimed design.

1 Claim, 5 Drawing Sheets



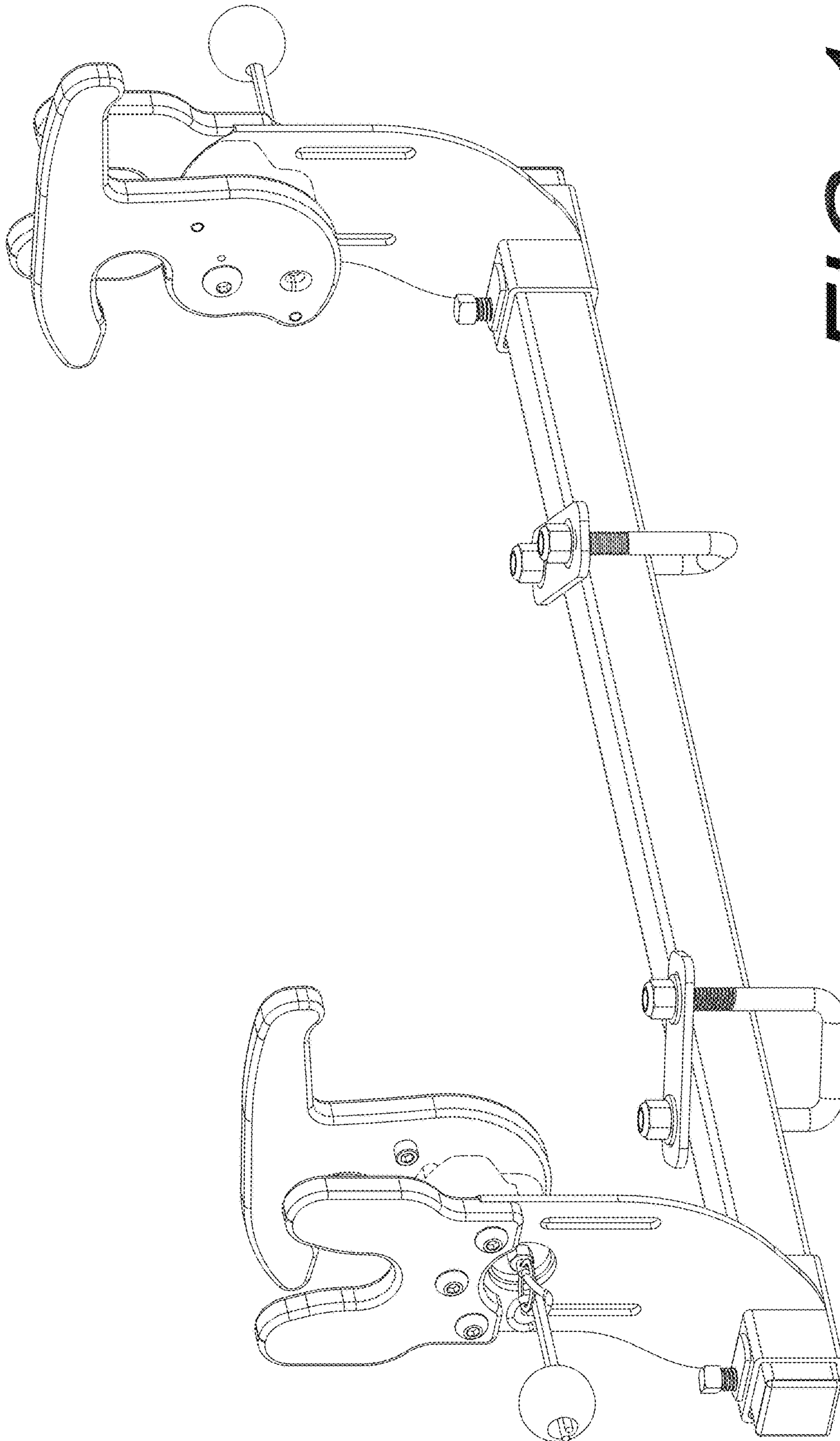


FIG. 1

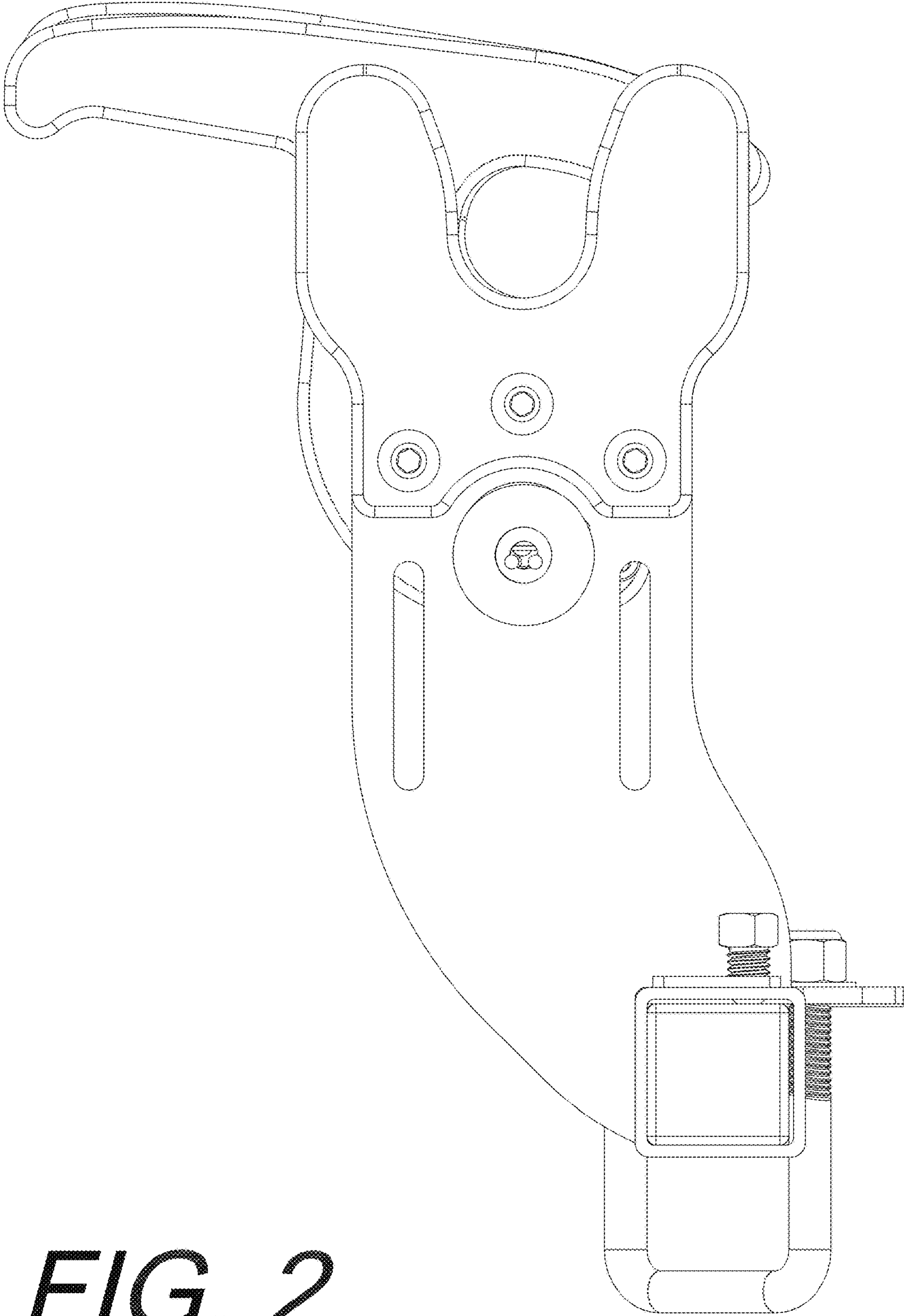


FIG. 2

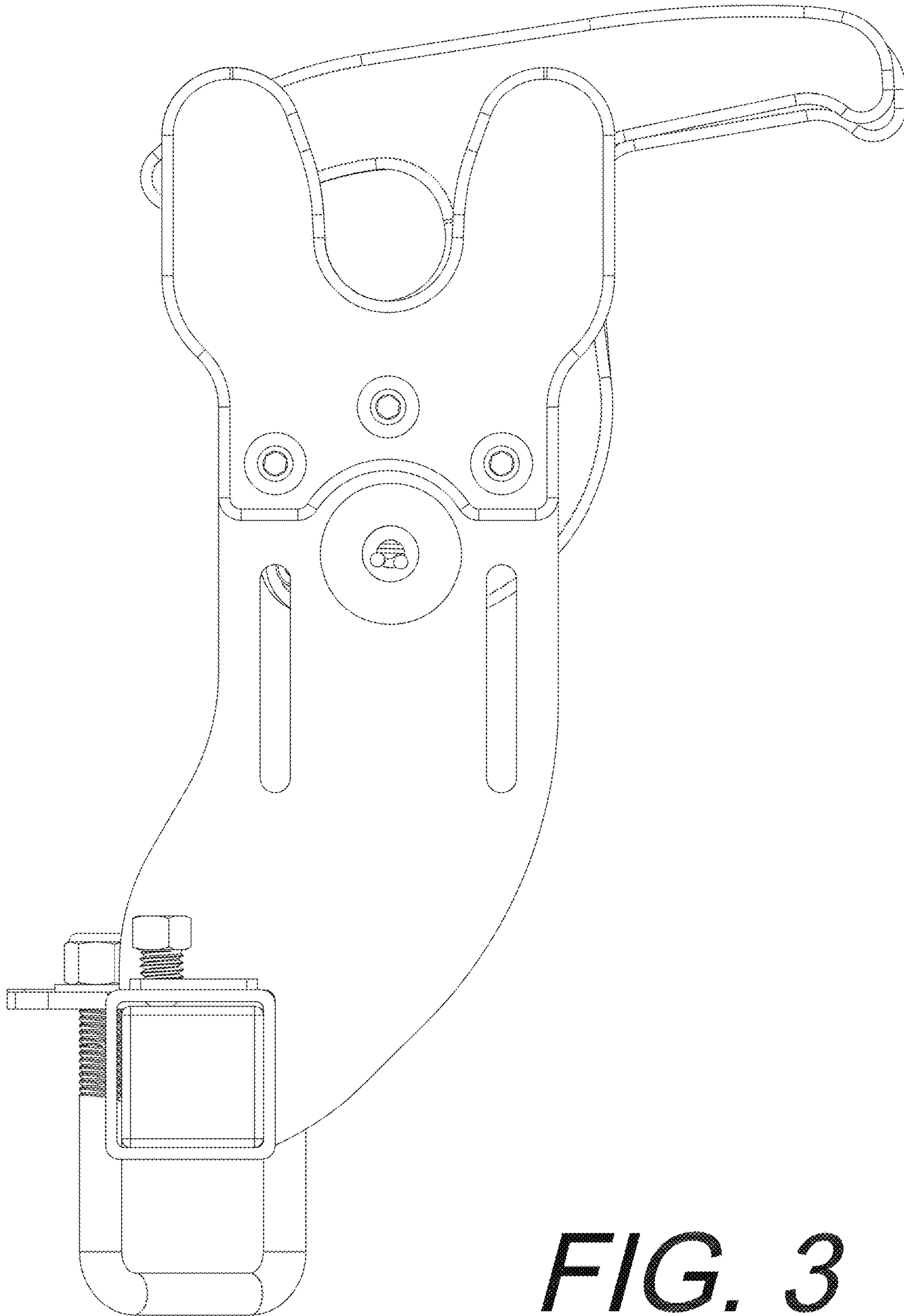


FIG. 3

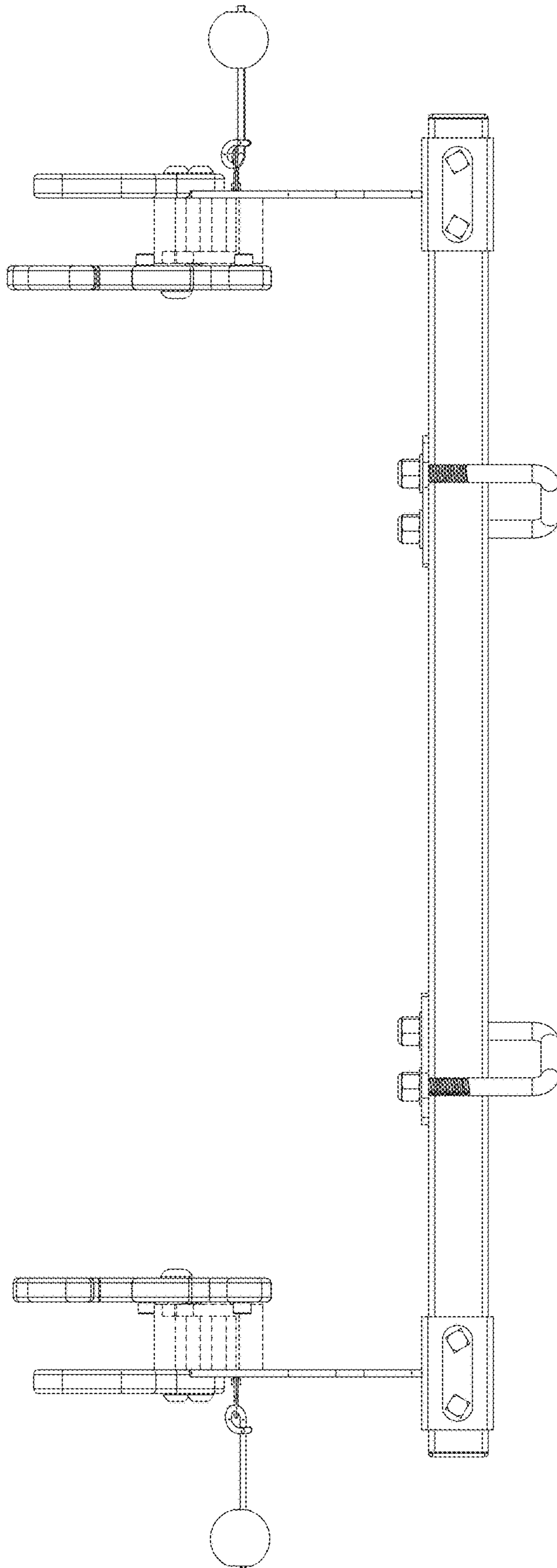


FIG. 4

