



US00D803035S

(12) **United States Design Patent**
Gale et al.

(10) **Patent No.:** **US D803,035 S**

(45) **Date of Patent:** **** Nov. 21, 2017**

(54) **HOOK**
(71) Applicant: **3M INNOVATIVE PROPERTIES COMPANY**, St. Paul, MN (US)
(72) Inventors: **Brian D. Gale**, Blaine, MN (US);
Angela L. Pan, Arden Hills, MN (US)

D571,190 S * 6/2008 Spadotto B65H 75/366
D8/356
D629,673 S * 12/2010 Shaha D8/367
D655,150 S * 3/2012 Alderman D8/367
D686,844 S * 7/2013 Simon D6/519
D707,110 S * 6/2014 Veilleux D8/367
D747,180 S * 1/2016 Burcar D8/367

(73) Assignee: **3M INNOVATIVE PROPERTIES COMPANY**, St. Paul, MN (US)

* cited by examiner

(**) Term: **15 Years**

Primary Examiner — Cynthia Underwood

(21) Appl. No.: **29/580,041**

(74) *Attorney, Agent, or Firm* — Irina Hass

(22) Filed: **Oct. 5, 2016**

(57) **CLAIM**

(51) **LOC (10) Cl.** **08-05**

The ornamental design for a hook, as shown and described.

(52) **U.S. Cl.**
USPC **D8/367**

(58) **Field of Classification Search**
USPC D8/367, 354, 349, 394, 372; D3/228;
224/247, 197
CPC F16L 3/13; F16L 3/26; A47G 23/0225;
A47G 25/06; A47G 1/16; A47F 5/0846;
A47F 5/02; H02G 11/003; D06F 5/00;
E04H 17/10; A45F 5/02; F16B 45/02
See application file for complete search history.

DESCRIPTION

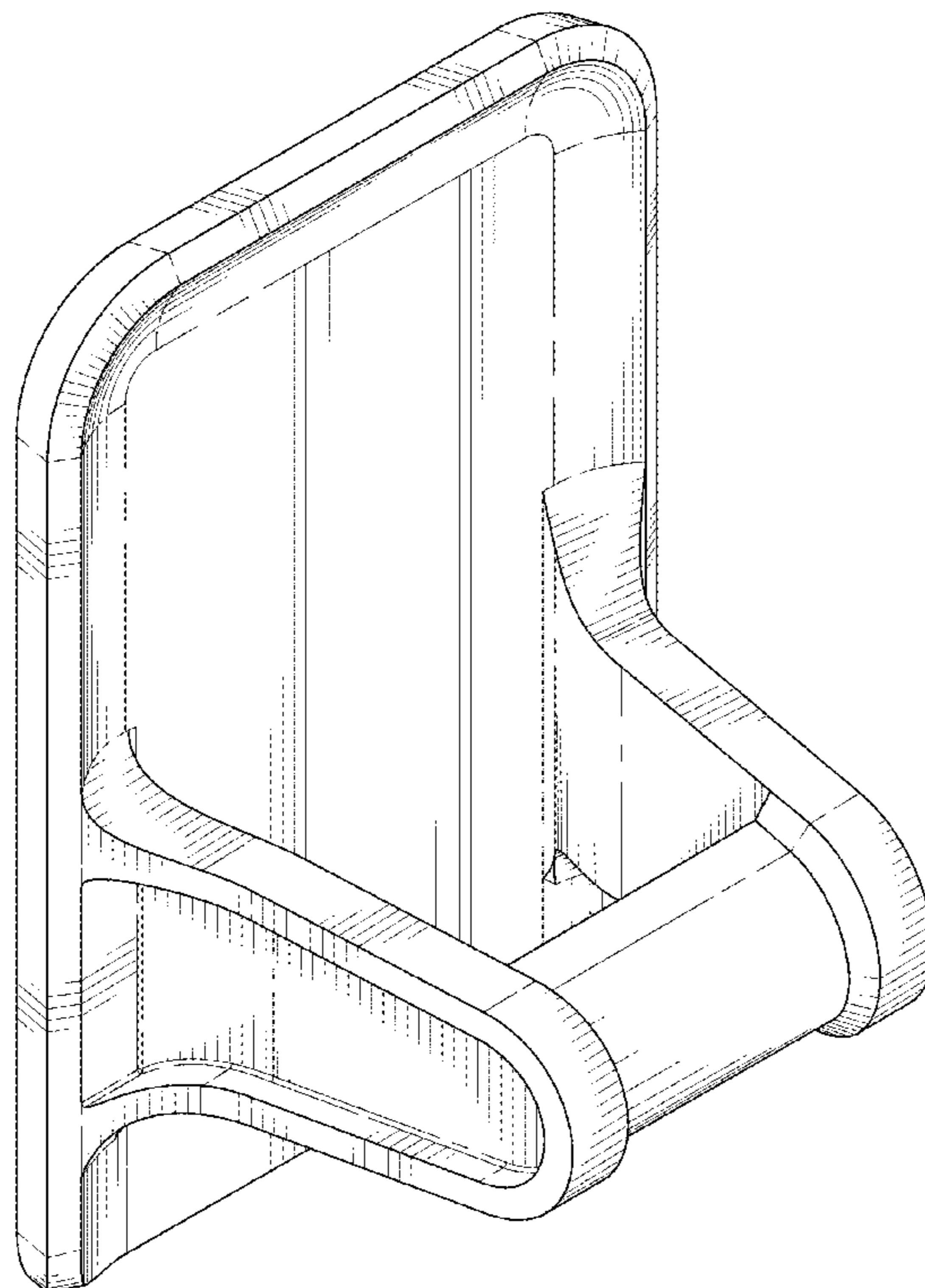
FIG. 1 is a perspective view showing a new design for a hook;
FIG. 2 is a front view thereof;
FIG. 3 is a rear view thereof;
FIG. 4 is a left side view thereof, a right side view being a mirror image thereof;
FIG. 5 is a top view thereof; and,
FIG. 6 is a bottom view thereof.

(56) **References Cited**

U.S. PATENT DOCUMENTS

D411,951 S * 7/1999 Baranski D8/363
D512,253 S * 12/2005 Hoernig D6/523

1 Claim, 5 Drawing Sheets



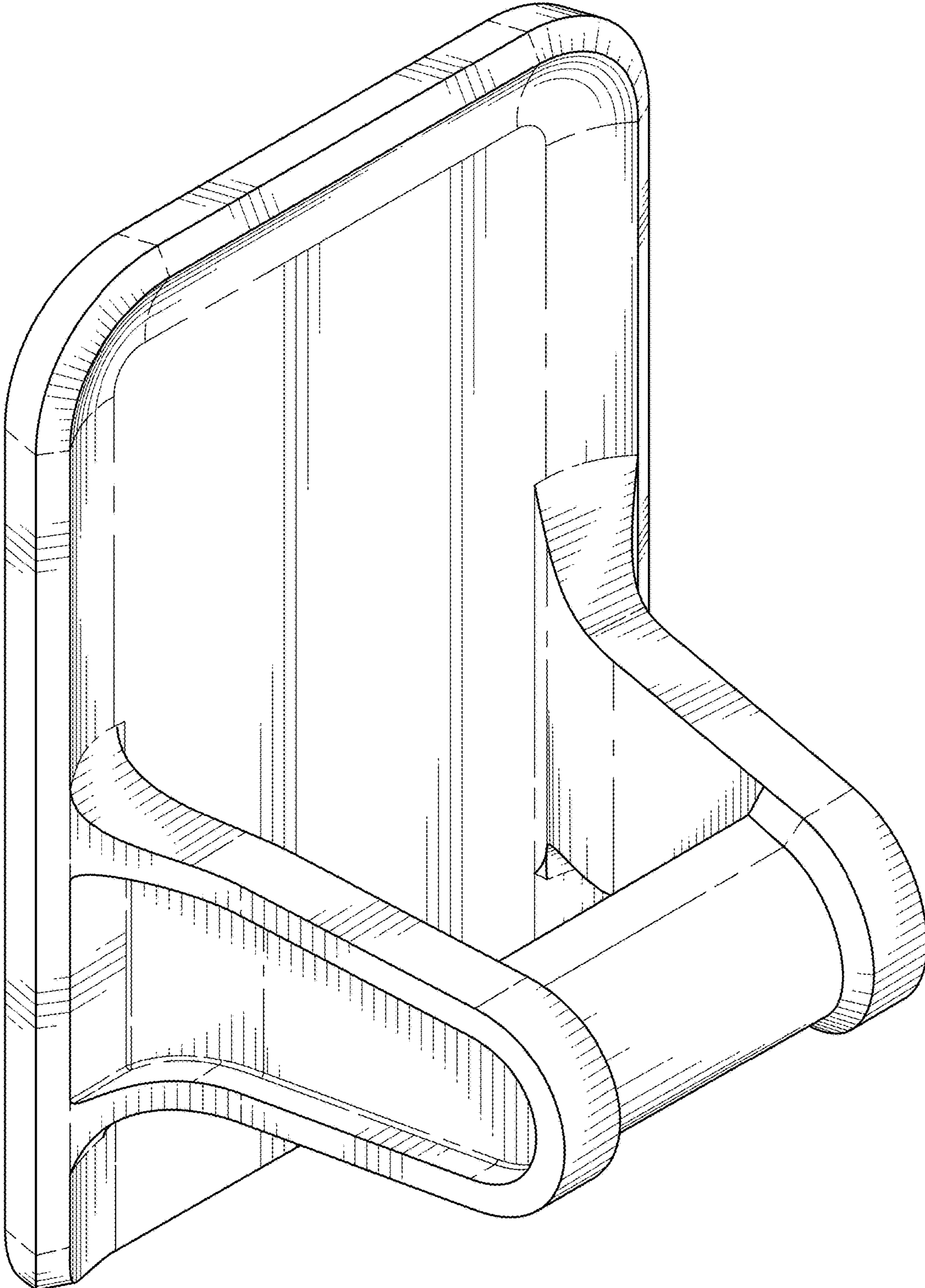


FIG. 1

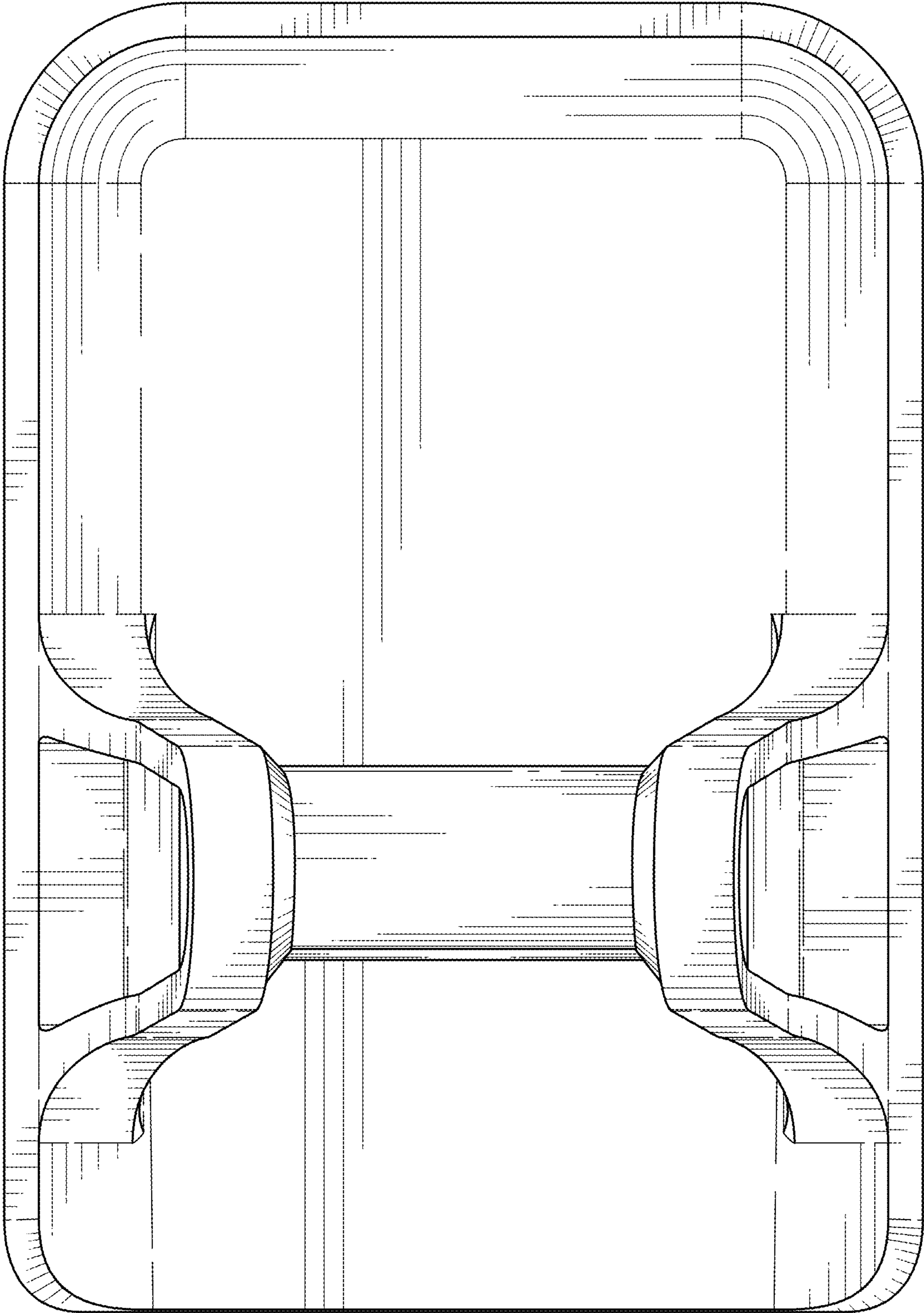


FIG. 2

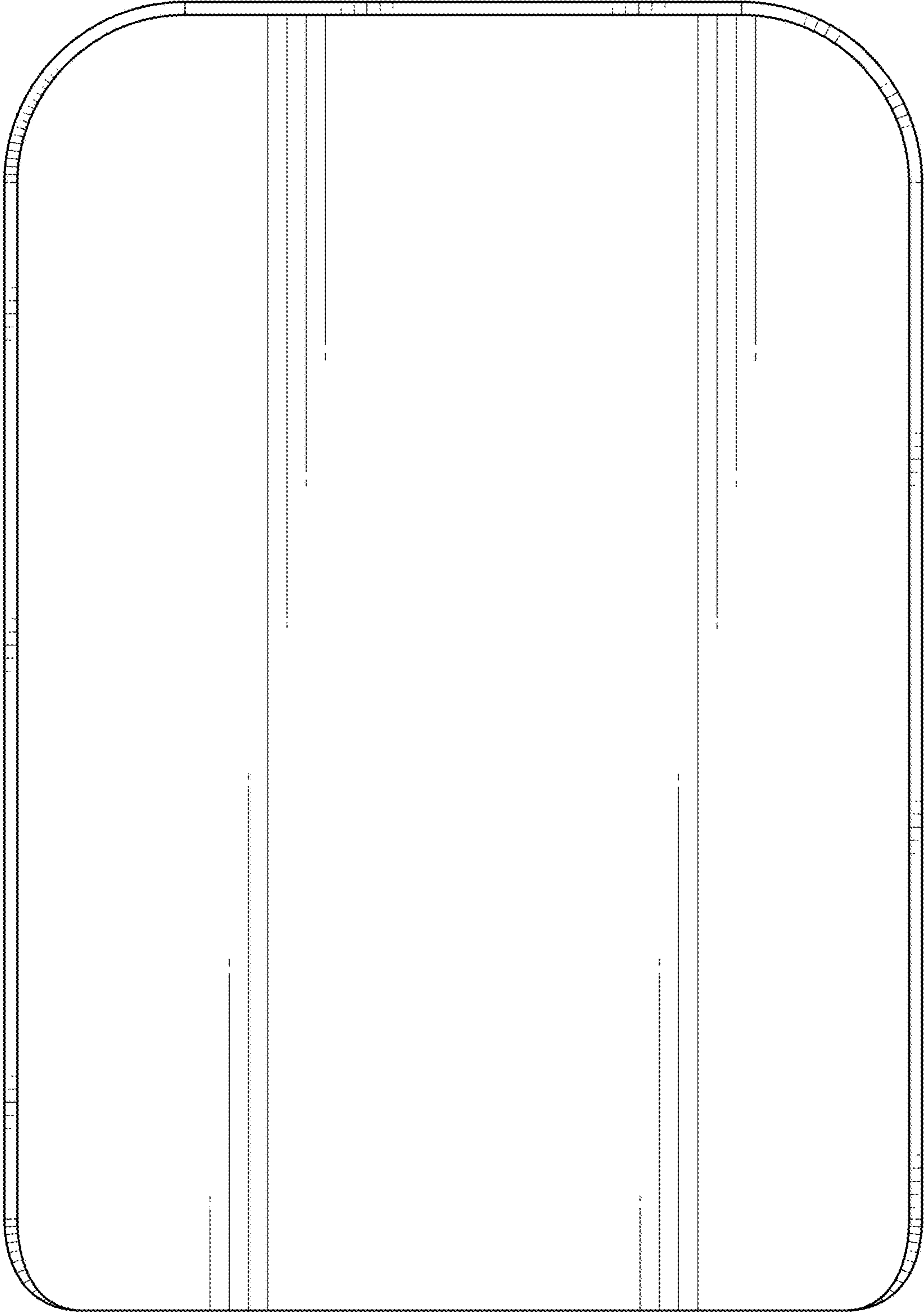


FIG. 3

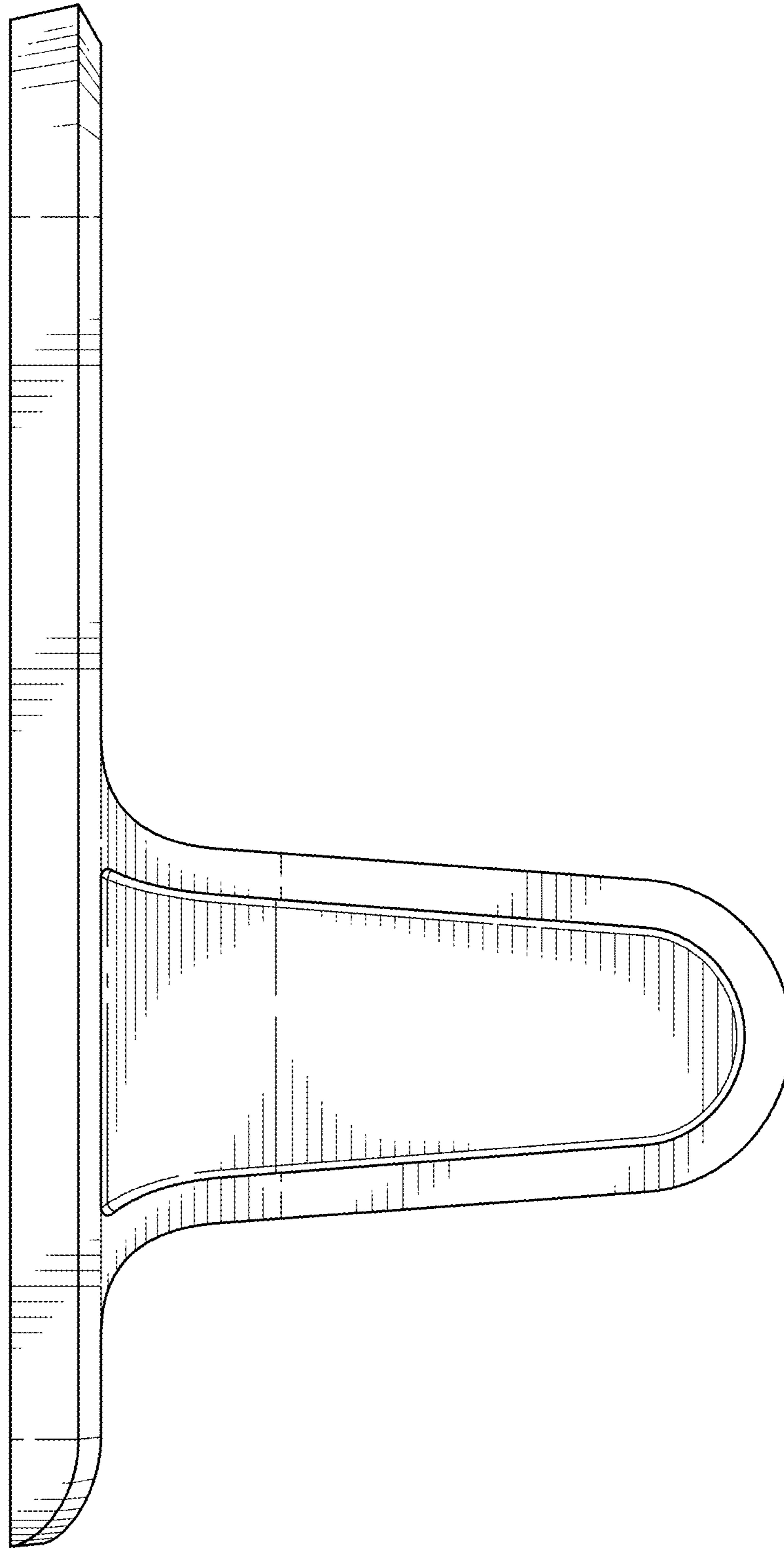


FIG. 4

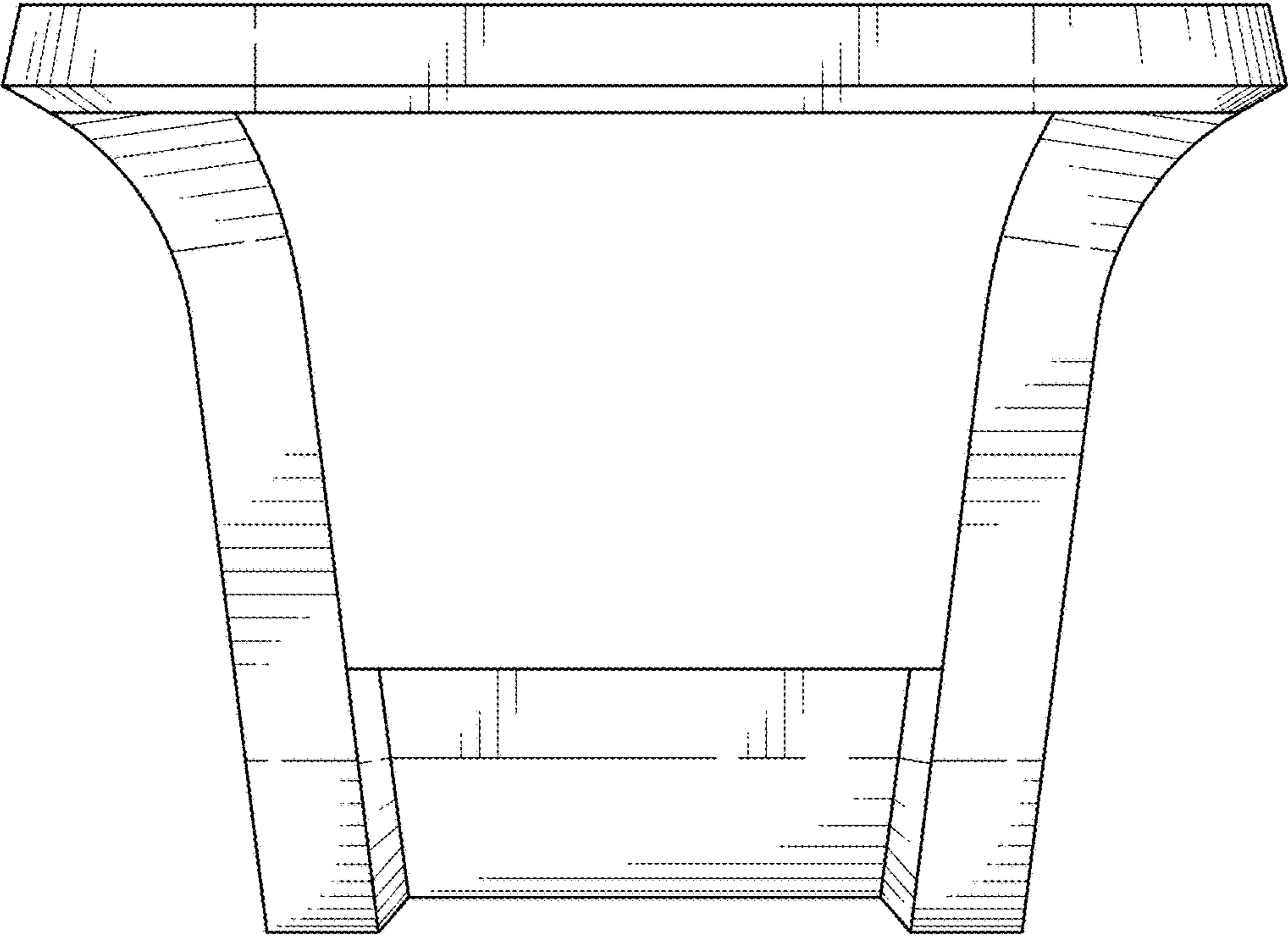


FIG. 5

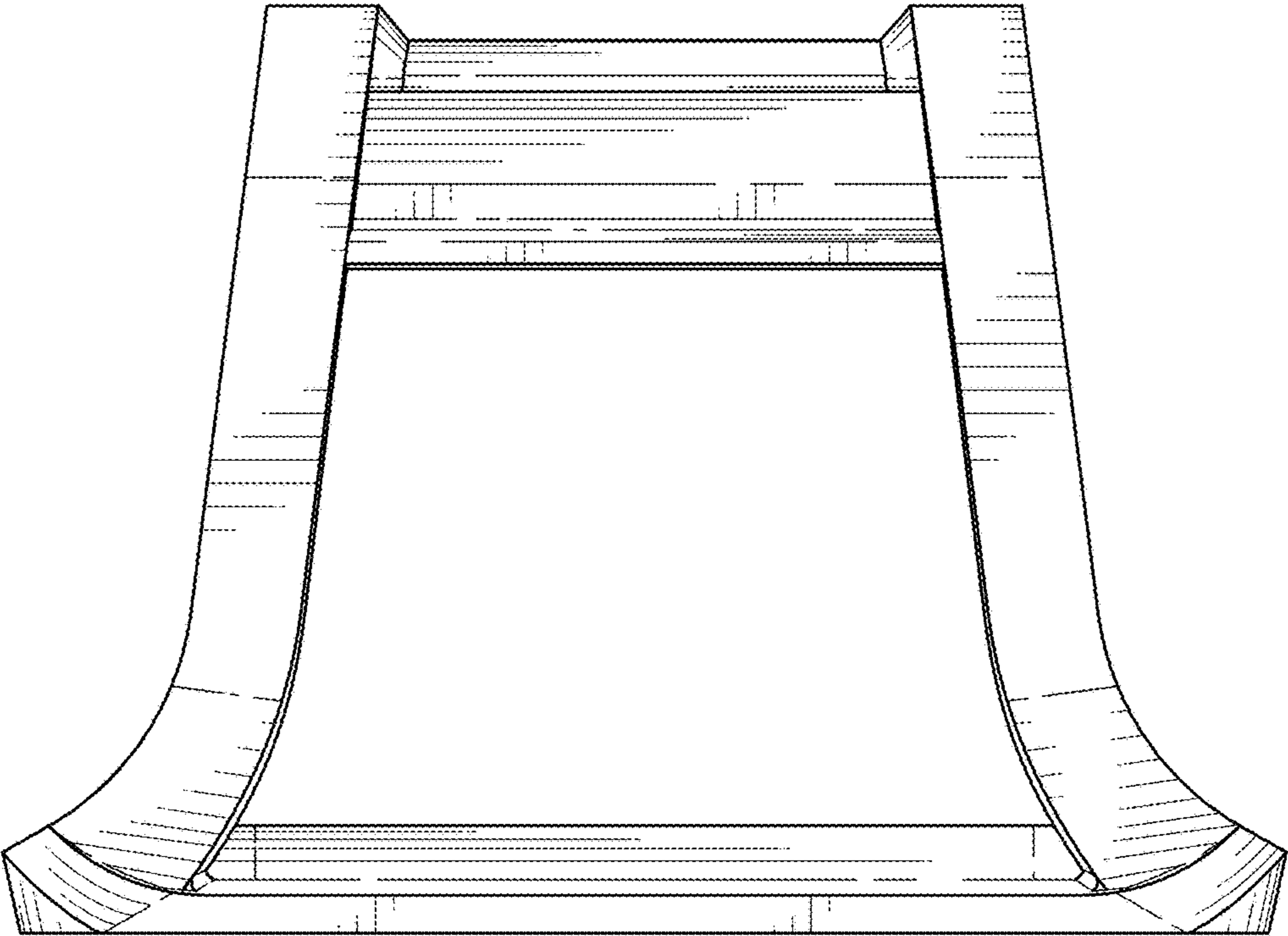


FIG. 6