



US00D803034S

(12) **United States Design Patent** (10) **Patent No.:** **US D803,034 S**
Nagel (45) **Date of Patent:** **** Nov. 21, 2017**

(54) **LOCKING PEG BOARD BACK**

2005/0178936 A1* 8/2005 Chen B25H 3/04
248/230.1

(71) Applicant: **Thomas O. Nagel**, Rockford, IL (US)

* cited by examiner

(72) Inventor: **Thomas O. Nagel**, Rockford, IL (US)

Primary Examiner — Cynthia Underwood

(73) Assignee: **Southern Imperial, Inc.**, Rockford, IL (US)

(74) *Attorney, Agent, or Firm* — Reinhart Boerner Van Deuren P.C.

(**) Term: **15 Years**

(57) **CLAIM**

I claim the ornamental design for the locking peg board back, as shown and described.

(21) Appl. No.: **29/579,385**

DESCRIPTION

(22) Filed: **Sep. 29, 2016**

(51) **LOC (10) Cl.** **08-05**

(52) **U.S. Cl.**
USPC **D8/367**

(58) **Field of Classification Search**
USPC D8/367, 354, 349, 394, 372, 398, 382;
D3/228; 224/247, 197; 248/220.43,
248/220.42
CPC F16L 3/13; F16L 3/26; A47G 23/0225;
A47G 25/06; A47G 1/16; A47F 5/0846;
A47F 5/02; A47F 5/0823; H02G 11/003;
D06F 55/00; E04H 17/10; A45F 5/02;
F16B 45/02

See application file for complete search history.

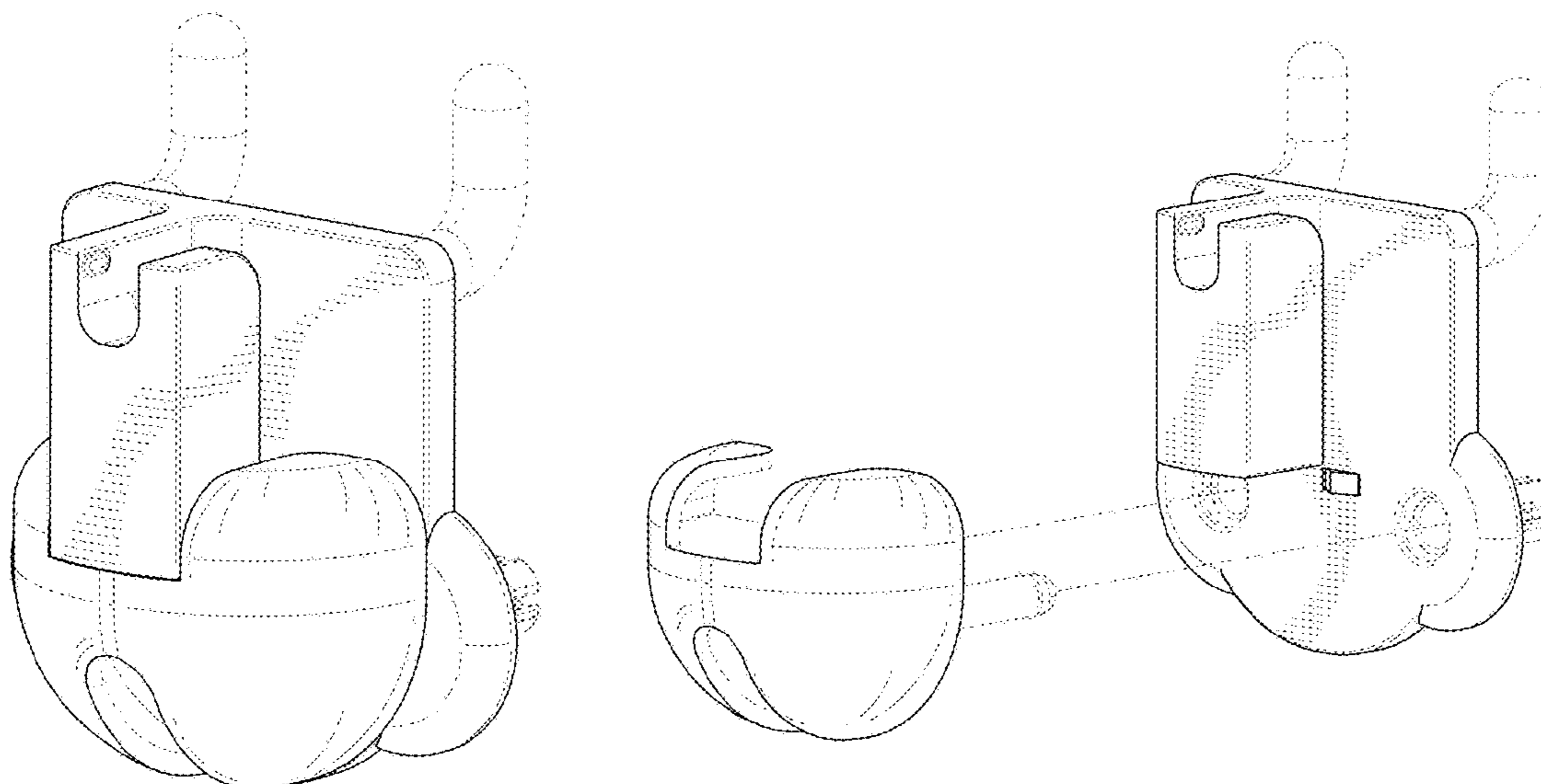
FIG. 1 is a perspective view of the locking peg board back; FIG. 2 is another perspective view of the locking peg board back; FIG. 3 is a back perspective view of the locking peg board back; FIG. 4 is a front view of the locking peg board back; FIG. 5 is a back view of the locking peg board back; FIG. 6 is a side view of the locking peg board back; FIG. 7 is another side view of the locking peg board back showing the side opposite that shown in FIG. 6; FIG. 8 is a top view of the locking peg board back; FIG. 9 is a bottom view of the locking peg board back; and FIG. 10 is an exploded front perspective view of the locking peg board back; FIG. 11 is another exploded front perspective view of the locking peg board back; FIG. 12 is an exploded back perspective view of the locking peg board back; FIG. 13 is another exploded back perspective view of the locking peg board back; FIG. 14 is an exploded side perspective view of the locking peg board back; and, FIG. 15 is another exploded side perspective view of the locking peg board back. The broken lines represent portions of the structure that forms no part of the claim.

(56) **References Cited**

U.S. PATENT DOCUMENTS

- | | | | | |
|----------------|---------|----------|-------|-----------------------|
| D337,043 S * | 7/1993 | Barnes | | D8/373 |
| 6,264,147 B1 * | 7/2001 | Mitchell | | A47L 13/512
211/66 |
| D592,491 S * | 5/2009 | Kirby | | D8/380 |
| D735,563 S * | 8/2015 | Kelley | | D8/367 |
| D767,978 S * | 10/2016 | Kusmirek | | D8/370 |
| D771,476 S * | 11/2016 | Prince | | D8/373 |

1 Claim, 12 Drawing Sheets



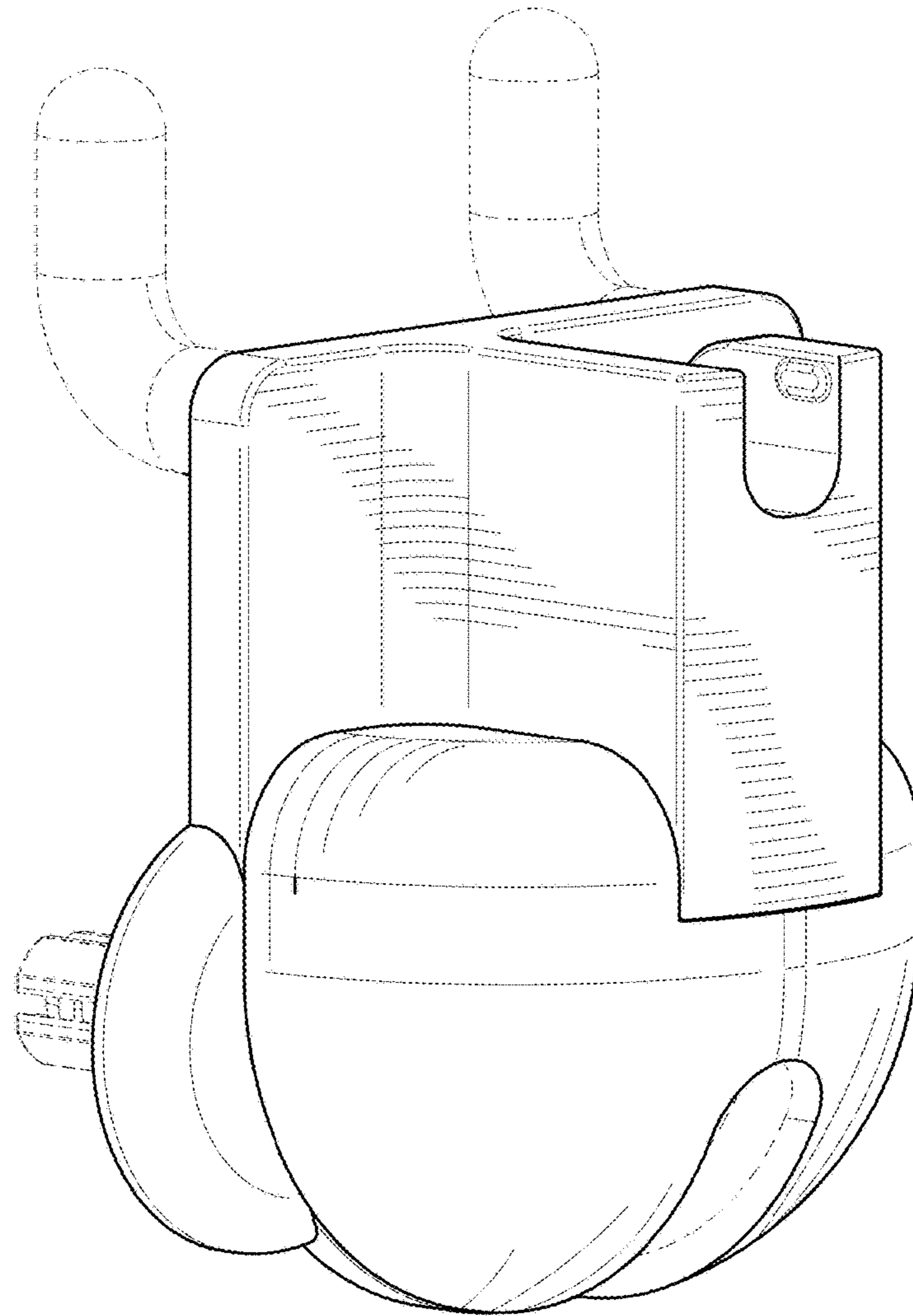


FIG. 1

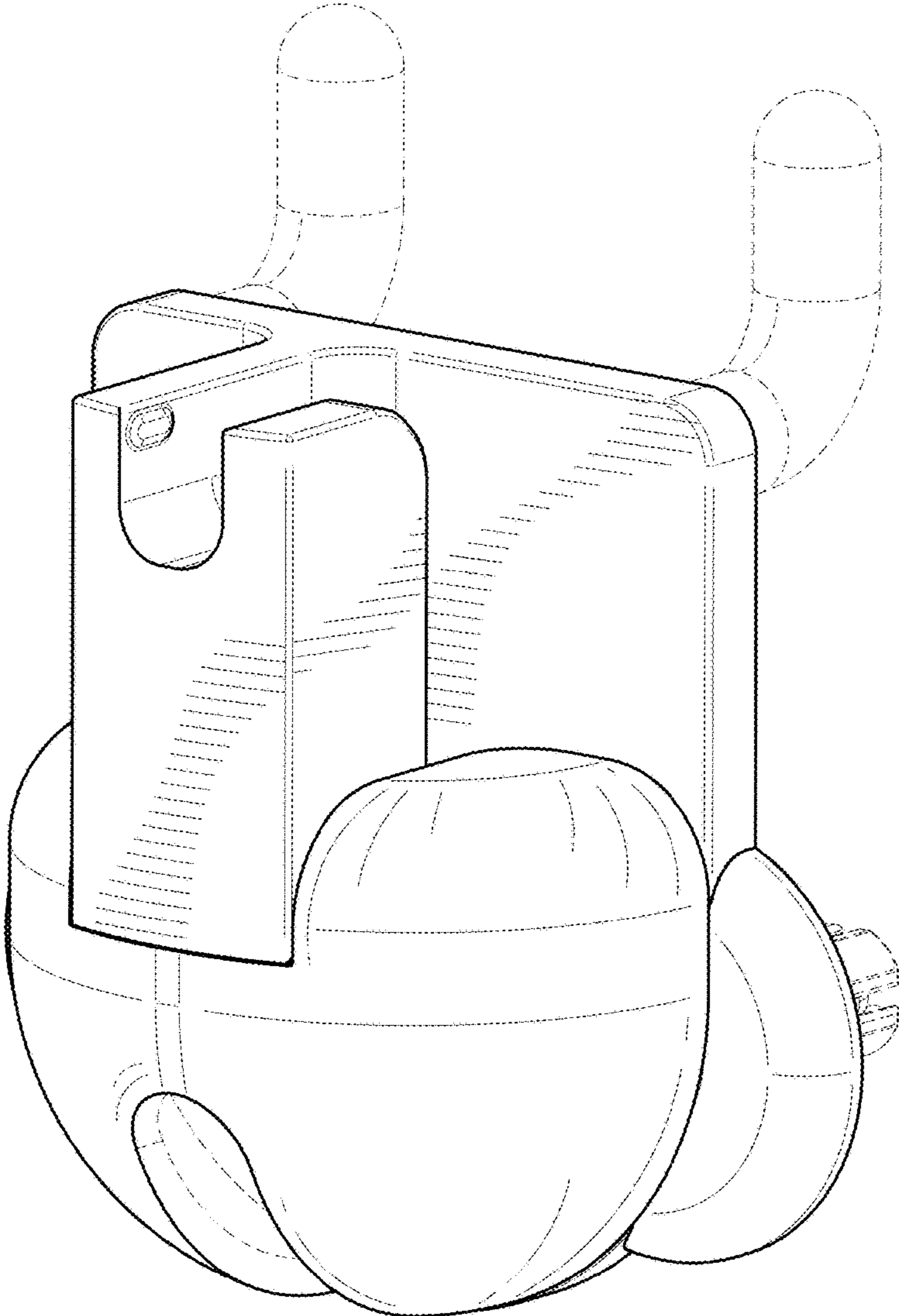


FIG. 2

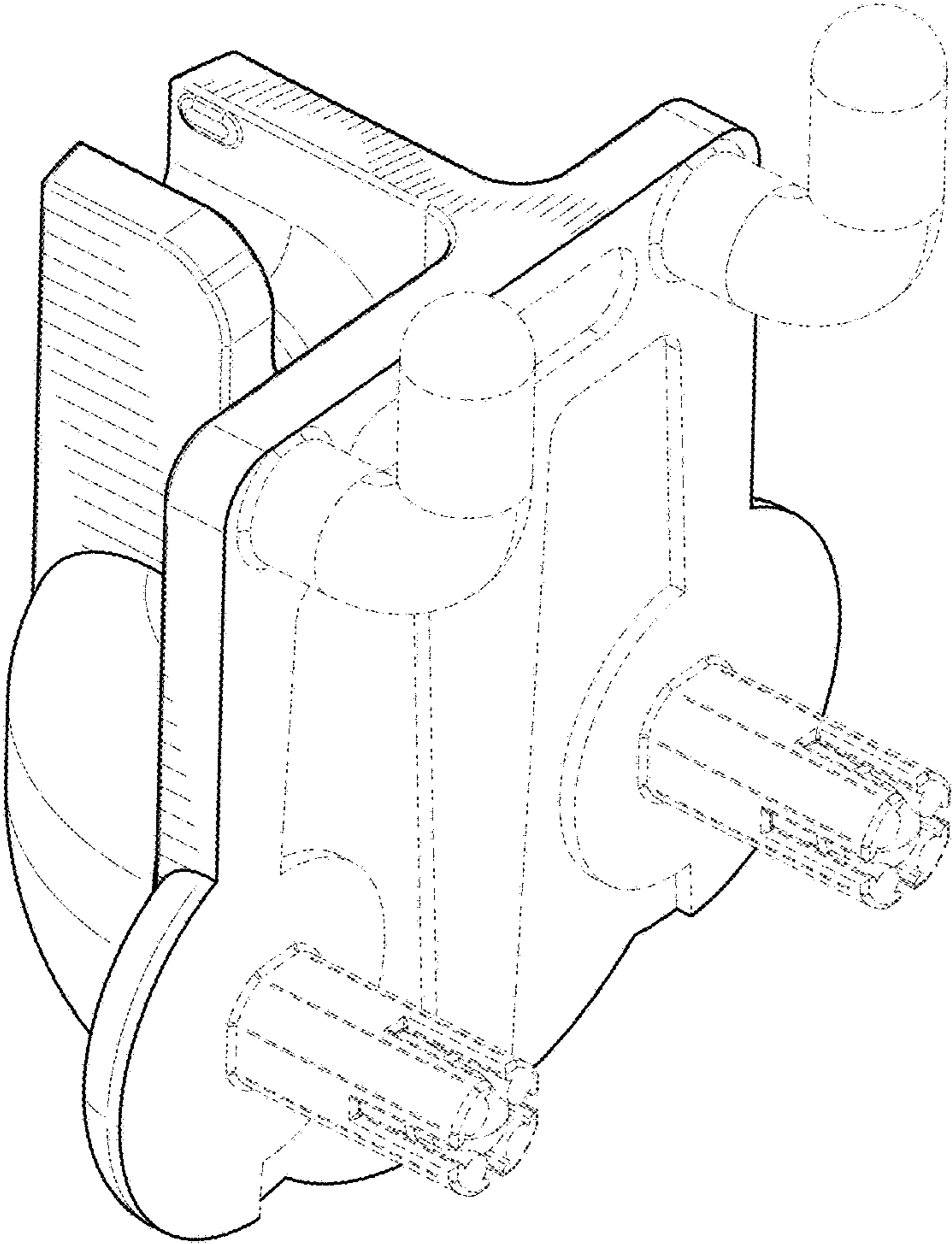


FIG. 3

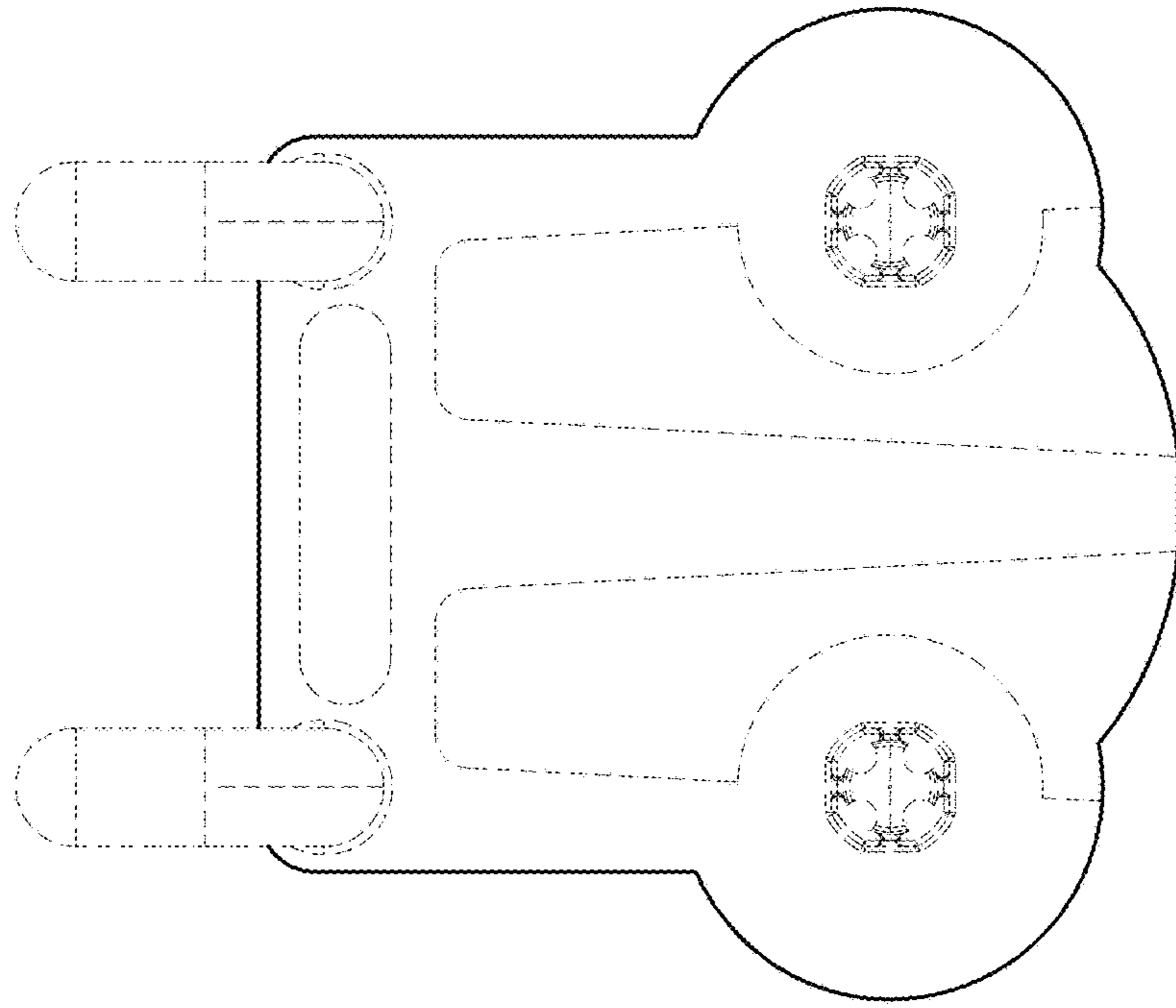


FIG. 5

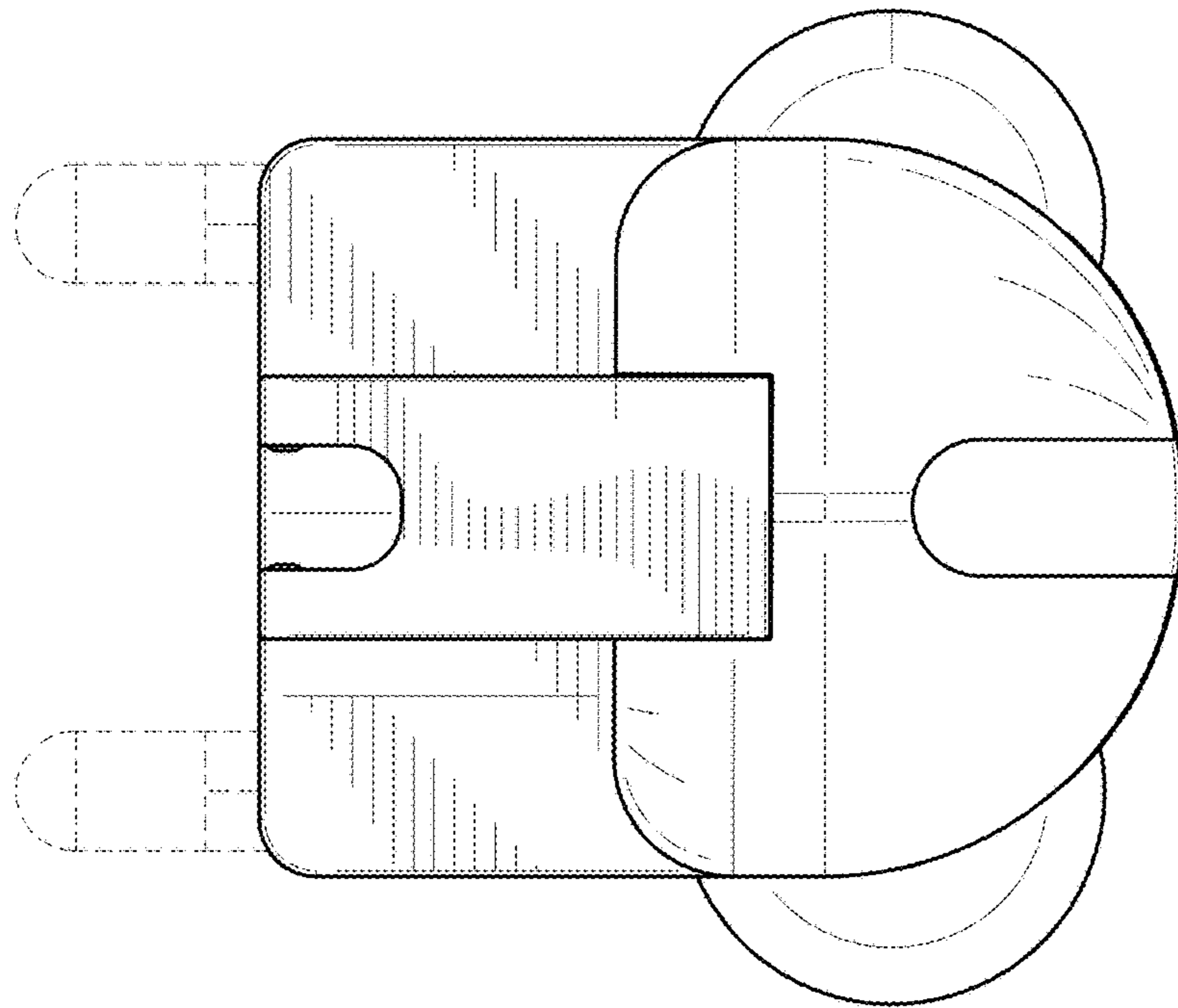


FIG. 4

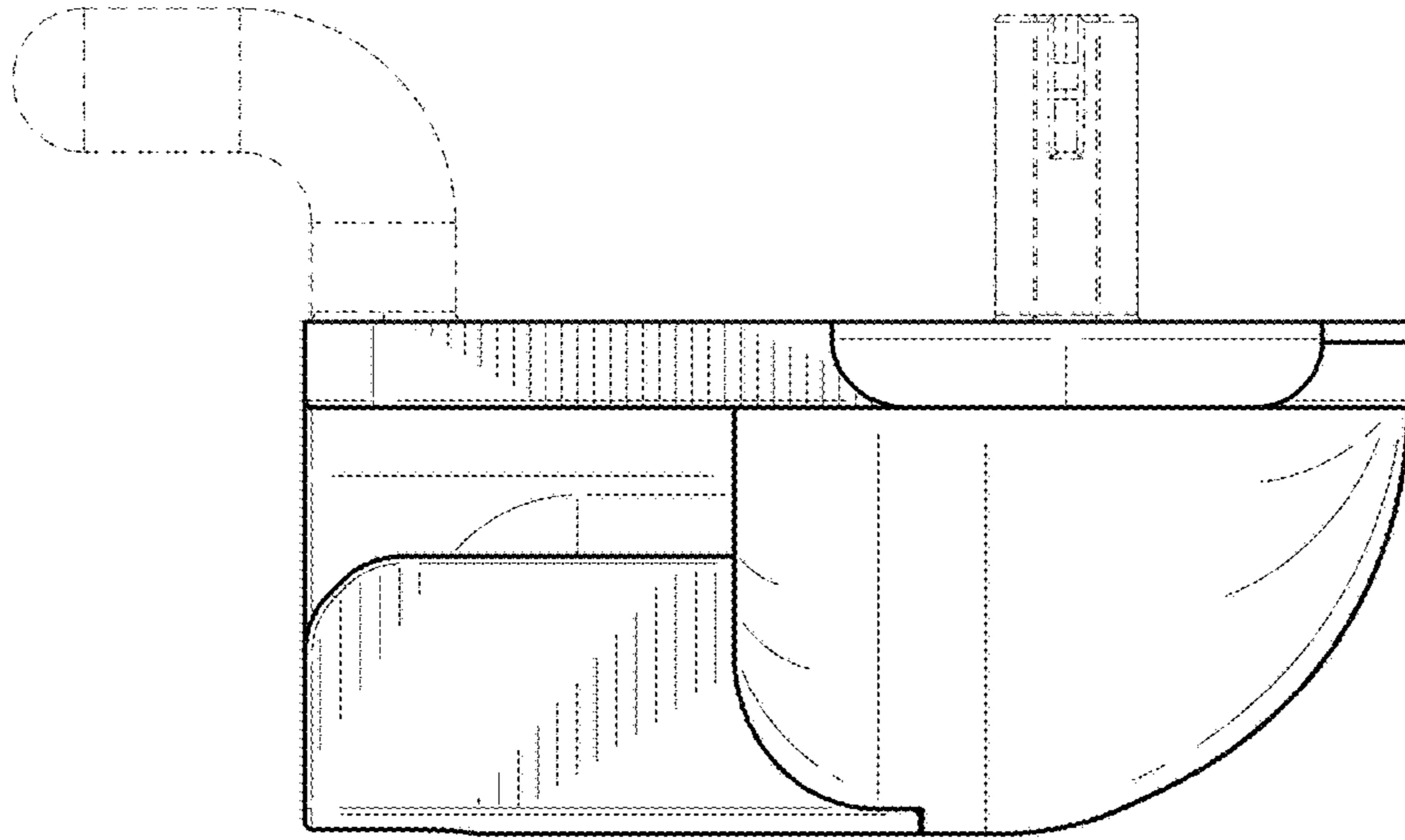


FIG. 6

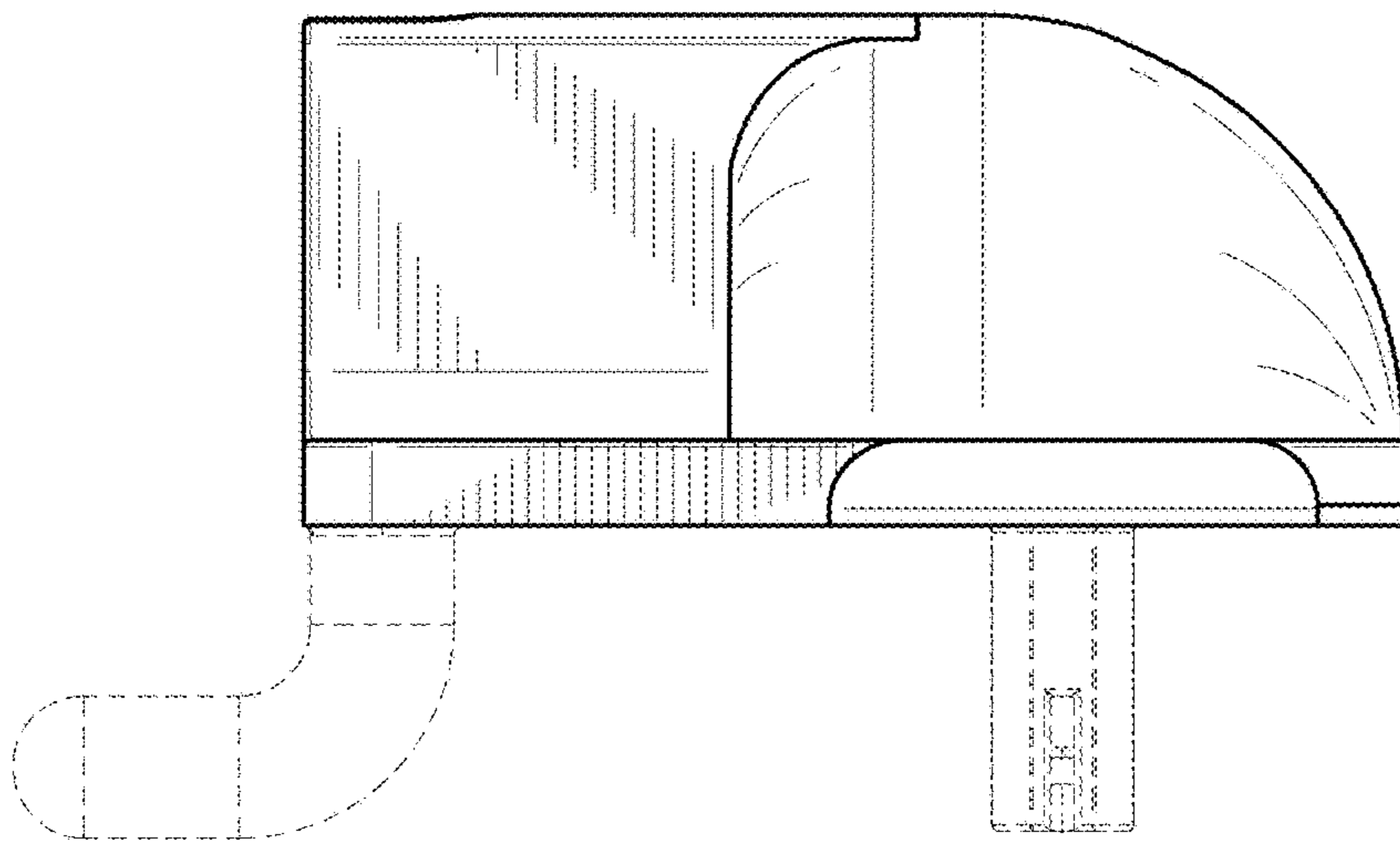


FIG. 7

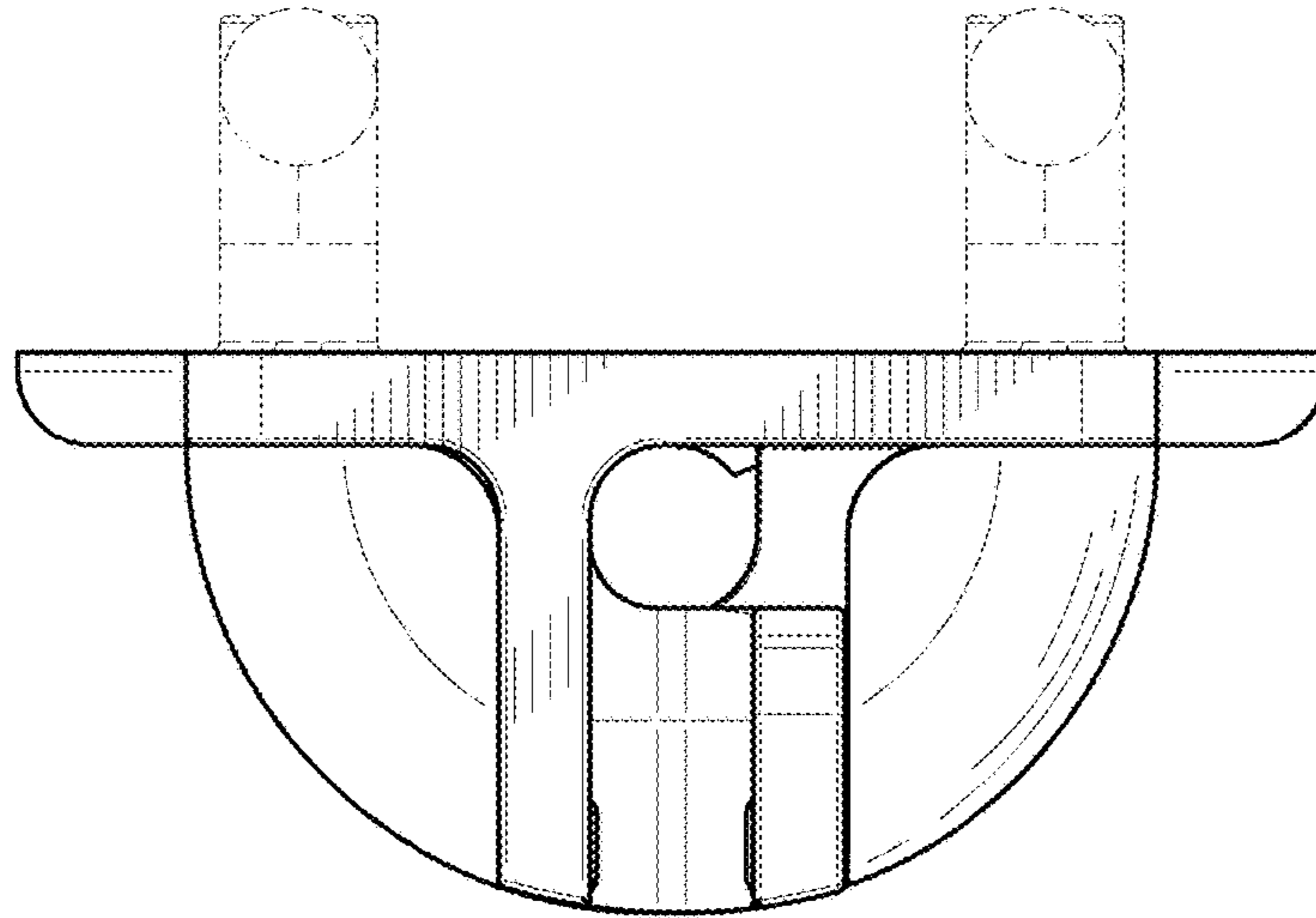


FIG. 8

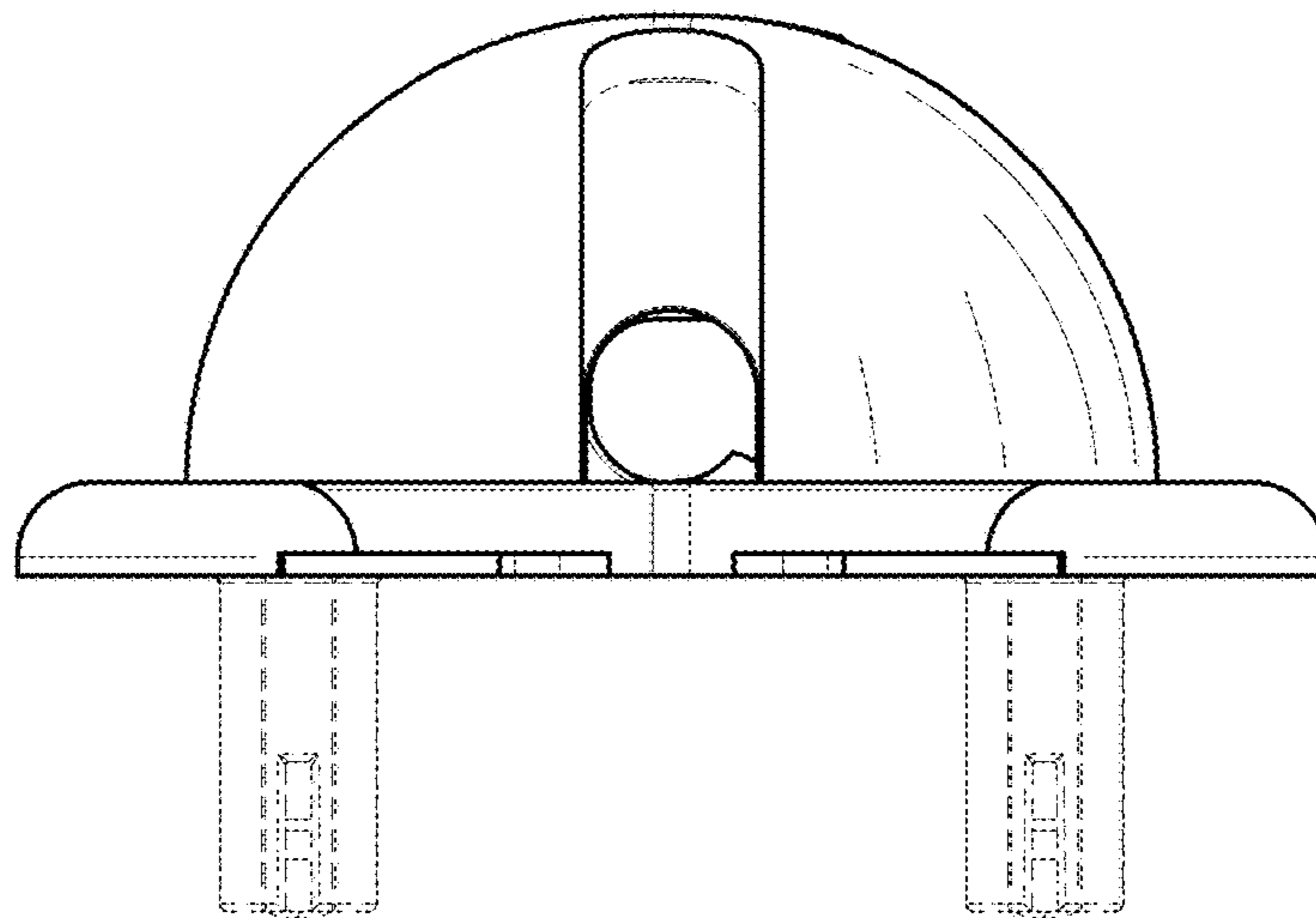


FIG. 9

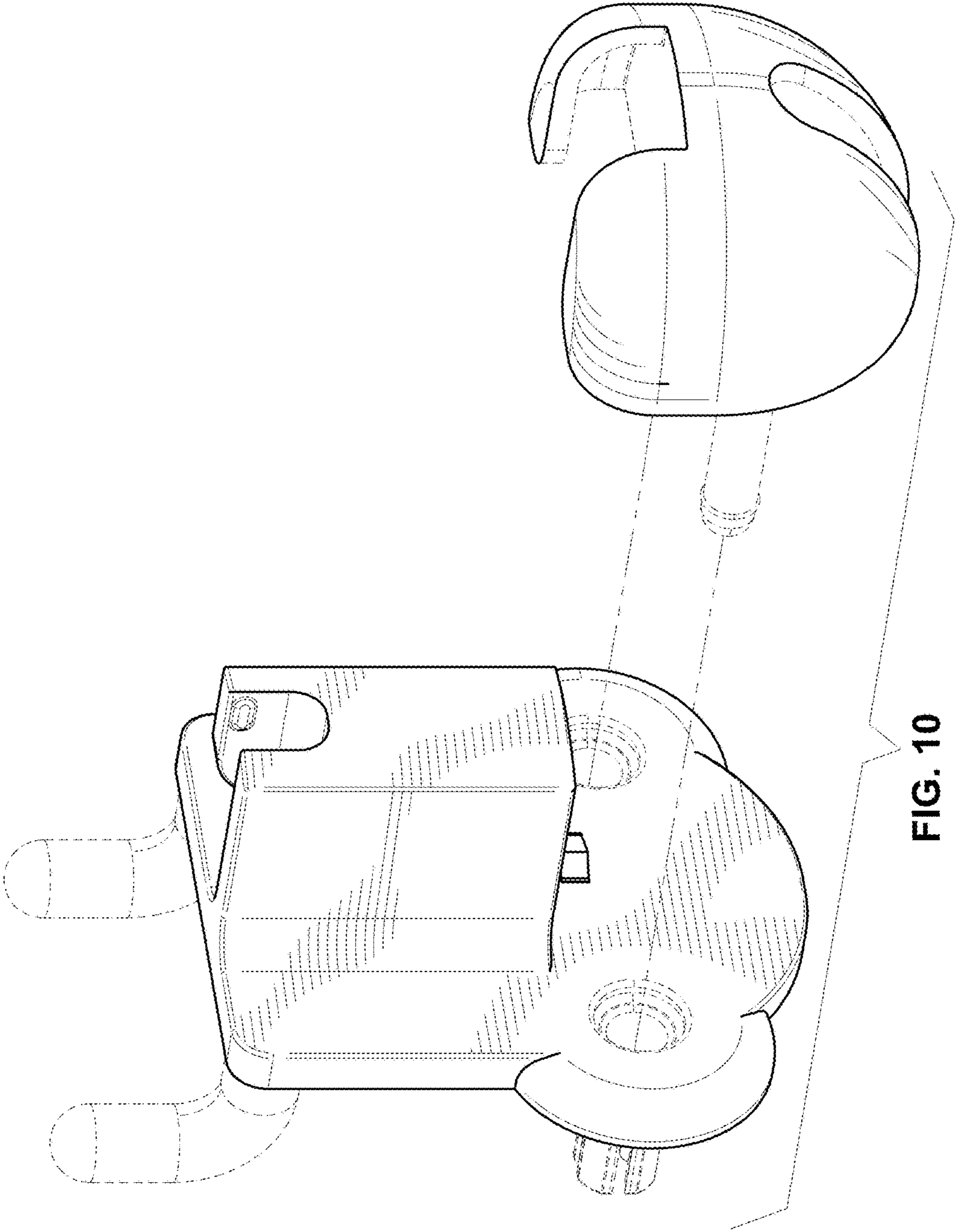
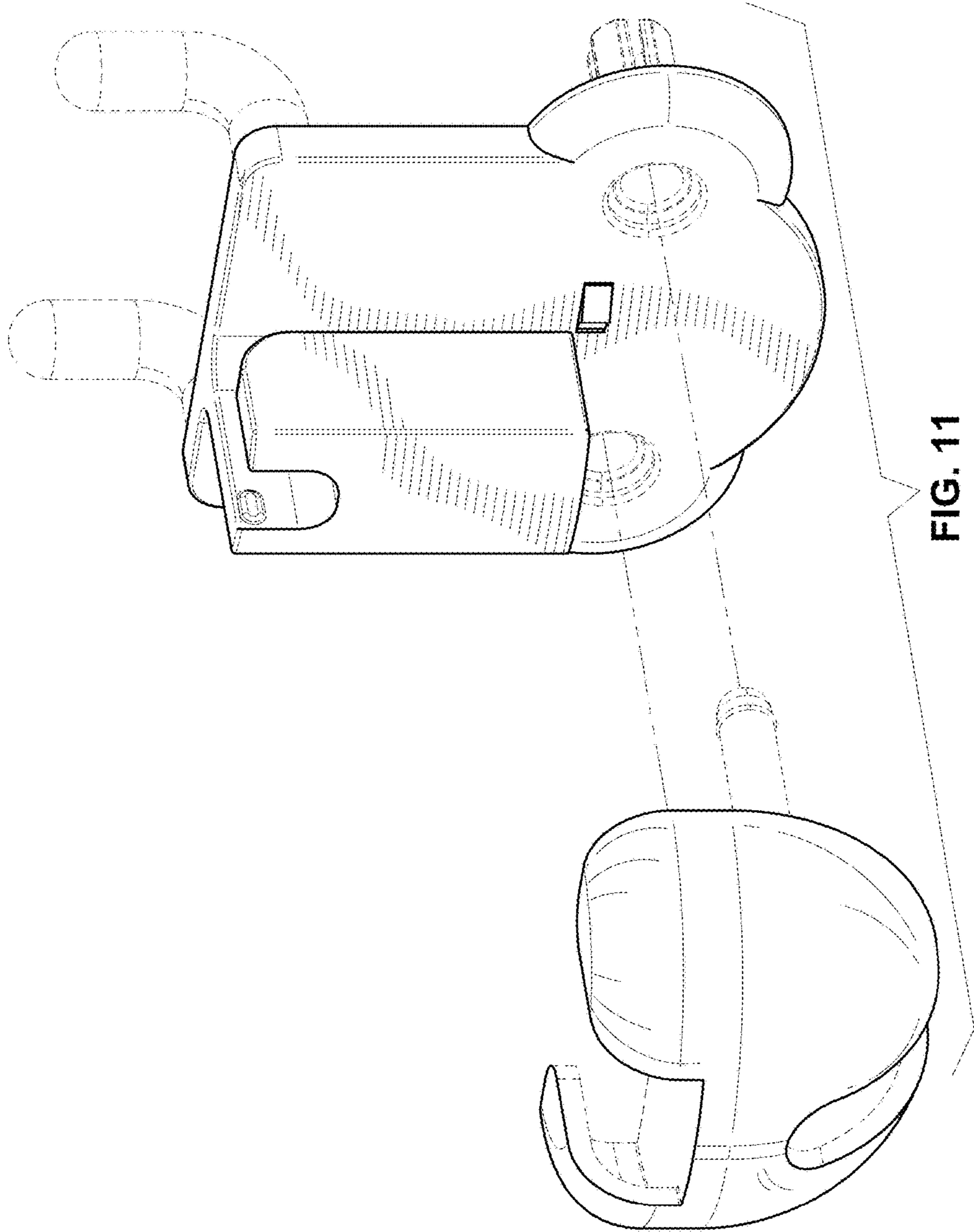
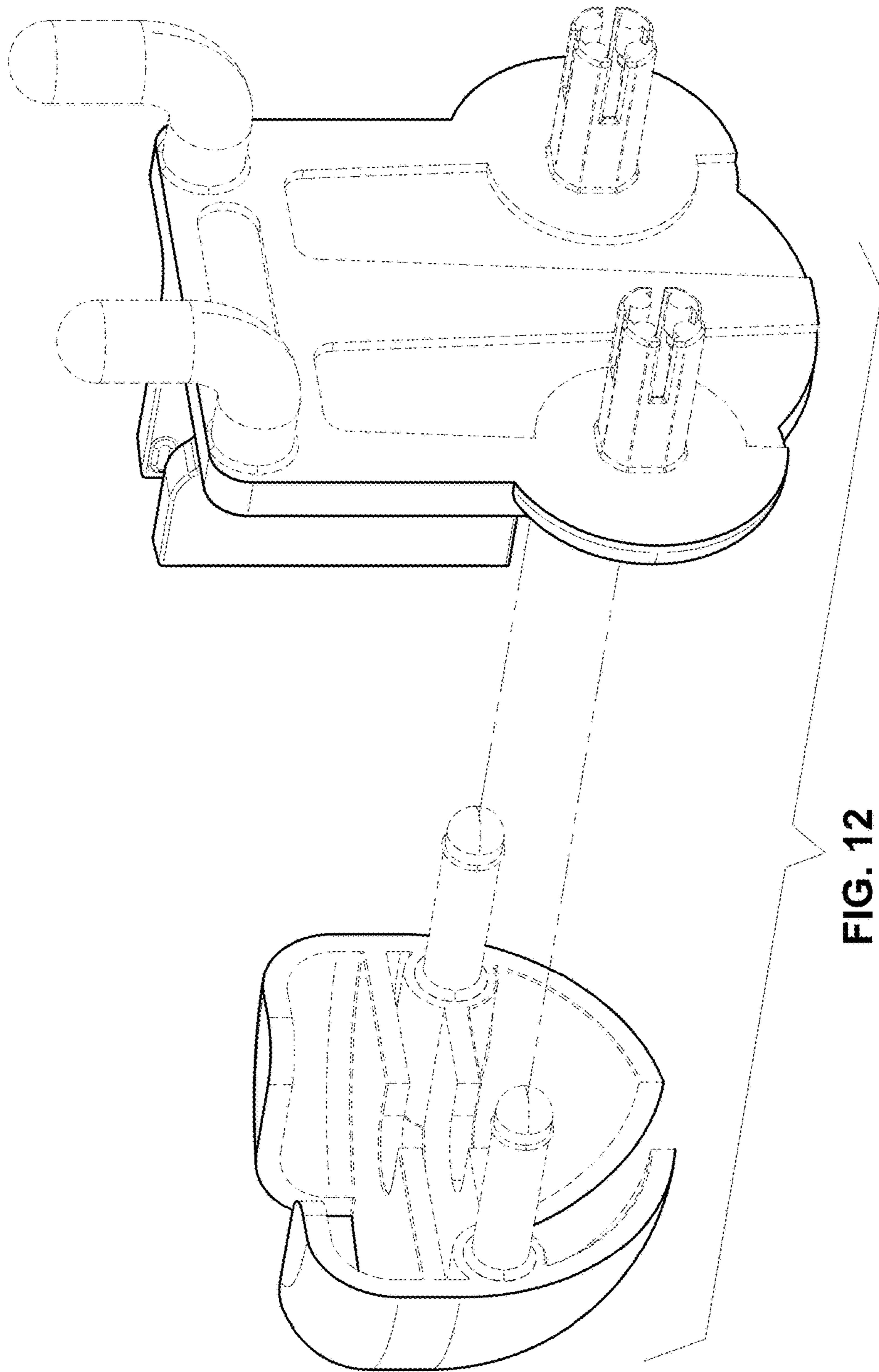


FIG. 10





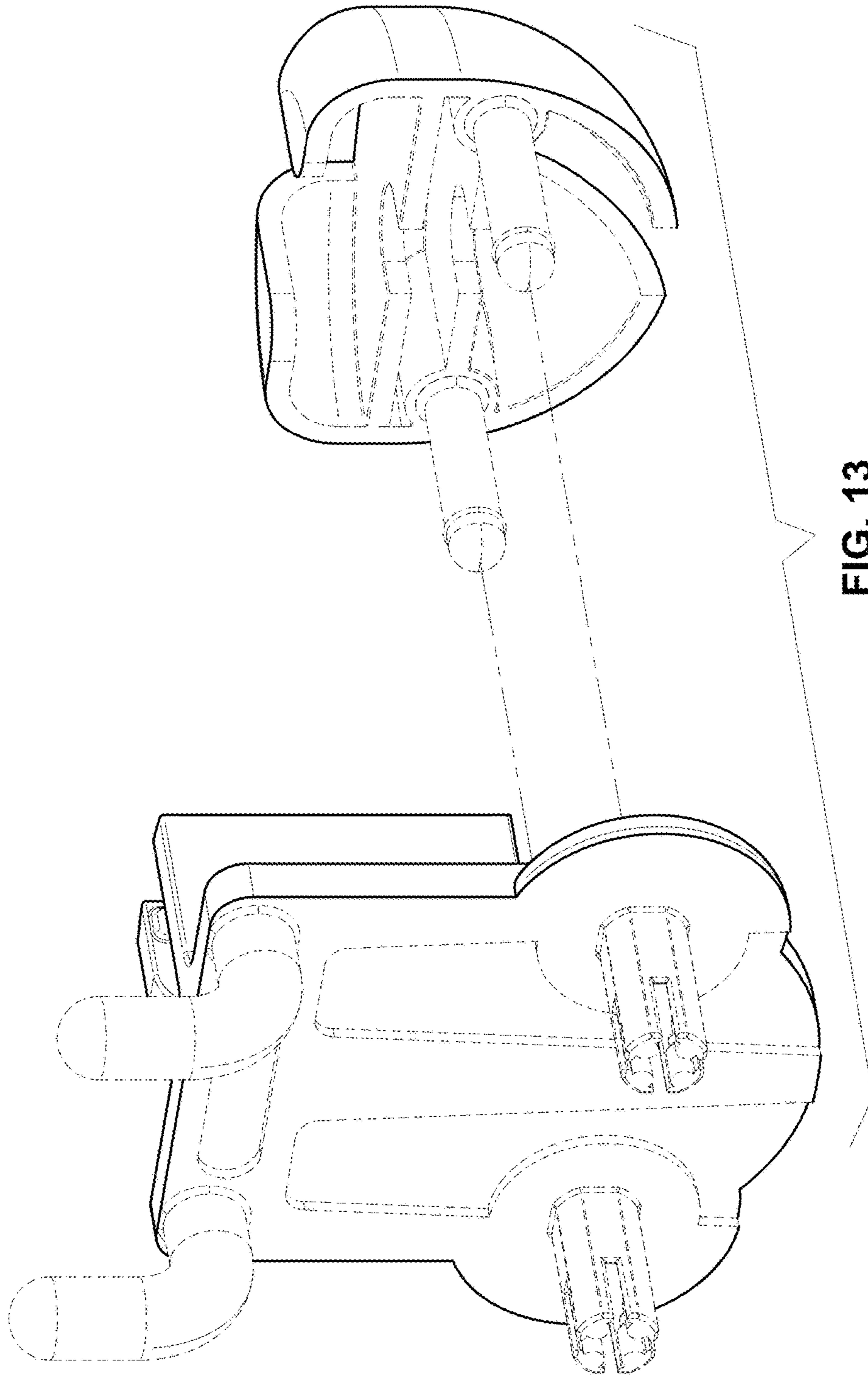


FIG. 13

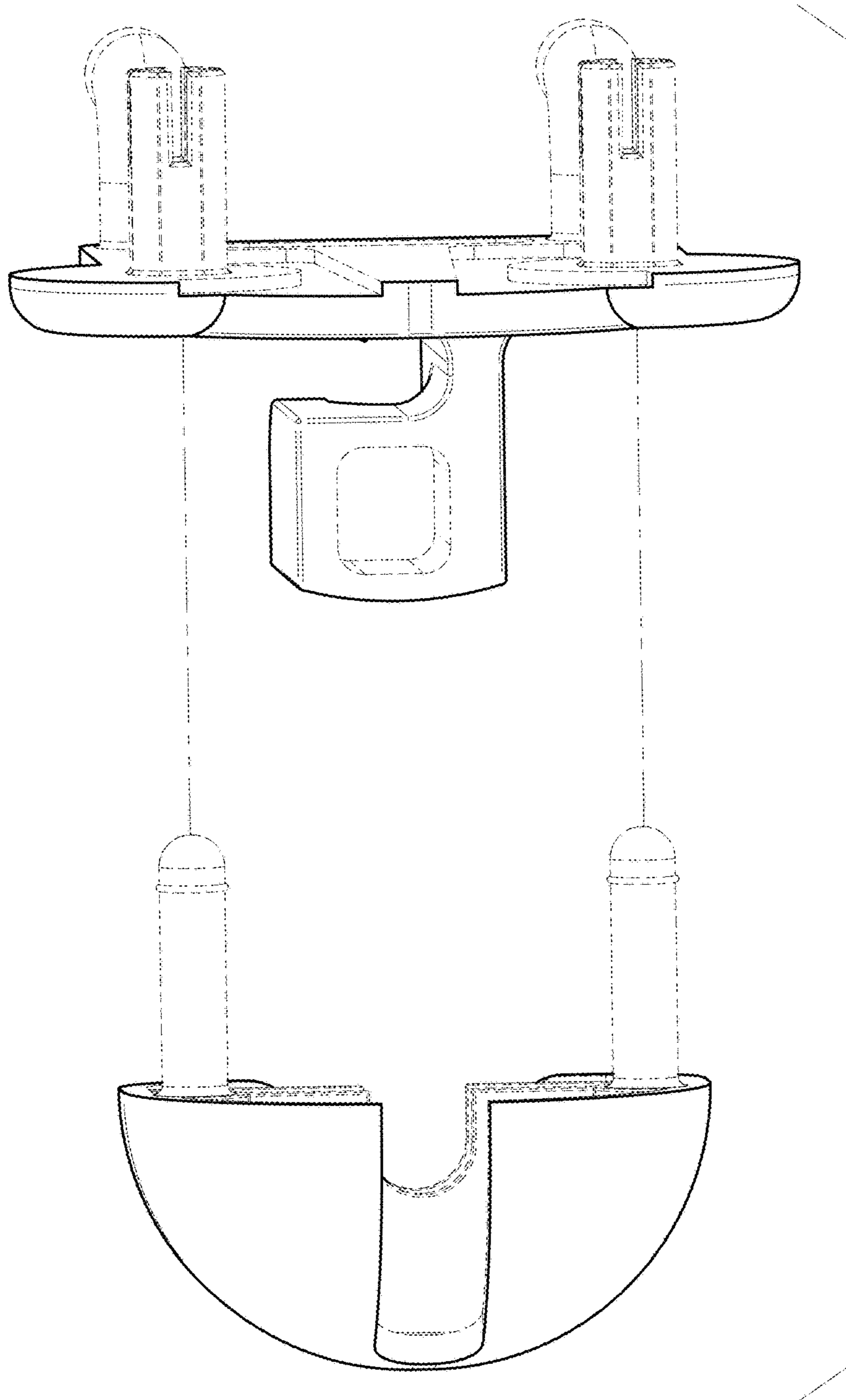


FIG. 14

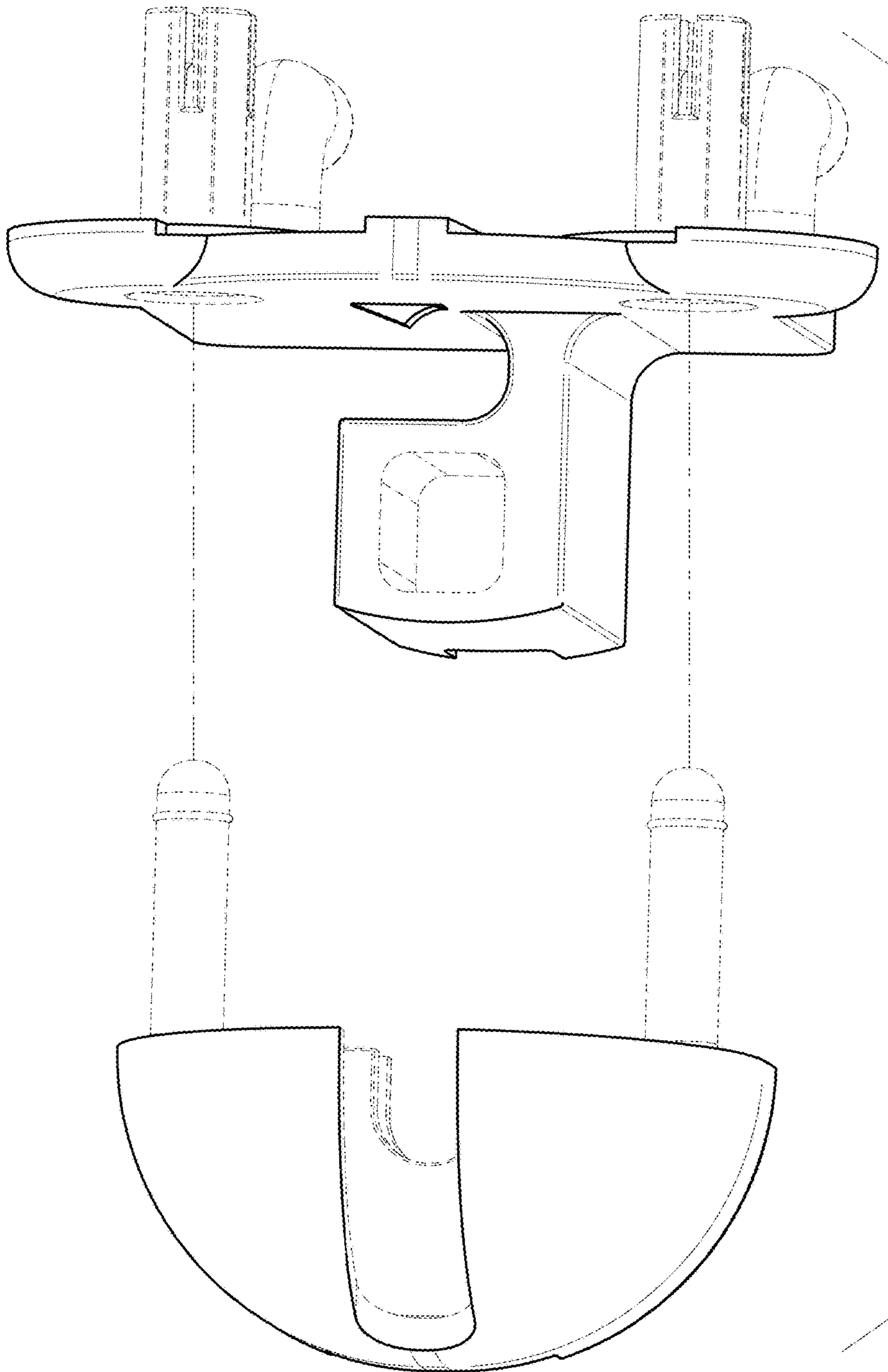


FIG. 15