



US00D803033S

(12) **United States Design Patent**
Tsai

(10) **Patent No.:** **US D803,033 S**

(45) **Date of Patent:** **** Nov. 21, 2017**

(54) **WALL HOOK**

(71) Applicant: **Richard Tsai**, San Francisco, CA (US)

(72) Inventor: **Richard Tsai**, San Francisco, CA (US)

(**) Term: **15 Years**

(21) Appl. No.: **29/545,081**

(22) Filed: **Nov. 10, 2015**

(51) **LOC (10) Cl.** **08-05**

(52) **U.S. Cl.**

USPC **D8/367**

(58) **Field of Classification Search**

USPC D8/367, 354, 349, 394, 372, 398, 382,
D8/356; D3/228; 224/247, 197;
248/220.43, 220.42; D13/156

CPC F16L 3/13; F16L 3/26; A47G 23/0225;
A47G 25/06; A47G 1/16; A47F 5/0846;
A47F 5/02; A47F 5/0823; H02G 11/003;
D06F 55/00; E04H 17/10; A45F 5/02;
F16B 45/02

See application file for complete search history.

(56) **References Cited**

U.S. PATENT DOCUMENTS

6,709,100 B2 * 3/2004 Kalbach G02C 3/003
351/156

D680,963 S * 4/2013 Purdy D13/151
D729,177 S * 5/2015 Baldwin D13/155
D741,150 S * 10/2015 Bainbridge D8/356

* cited by examiner

Primary Examiner — Cynthia Underwood

(74) *Attorney, Agent, or Firm* — Aroplex Law; Amy Sommer Anderson, Esq.

(57) **CLAIM**

An ornamental design for a wall hook, as shown and described.

DESCRIPTION

FIG. 1 illustrates a side view of the wall hook;
FIG. 2 illustrates the top view of the wall hook;
FIG. 3 illustrates the front view of the wall hook; and,
FIG. 4 illustrates a side view of the wall hook in an unclaimed environment of use taken from line 4-4 in FIG. 2. The new wall hook is a novel design for a simple, yet elegant, modern industrial-type wall fixture for the storage of hanging items.

1 Claim, 2 Drawing Sheets

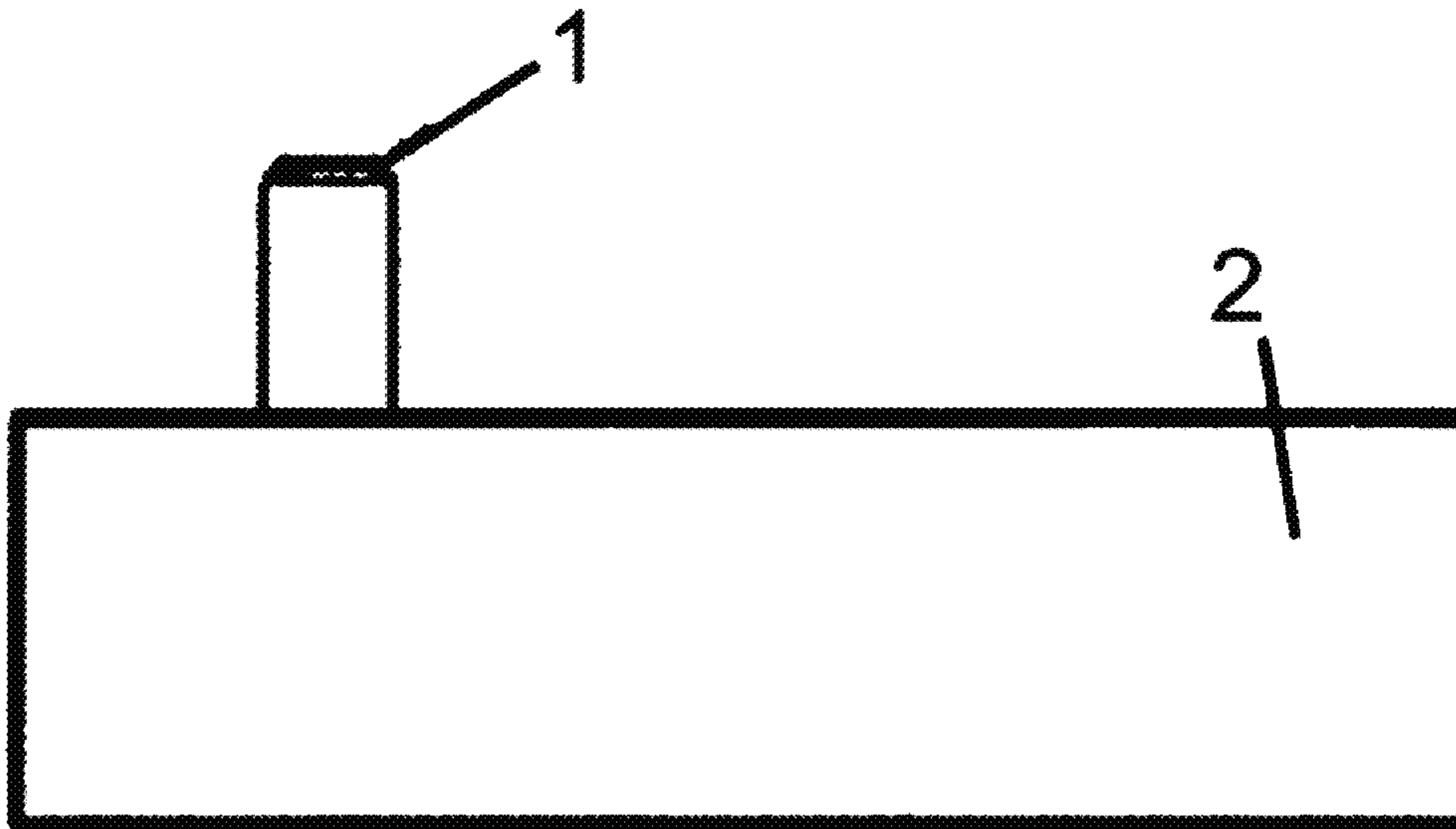


FIG. 1

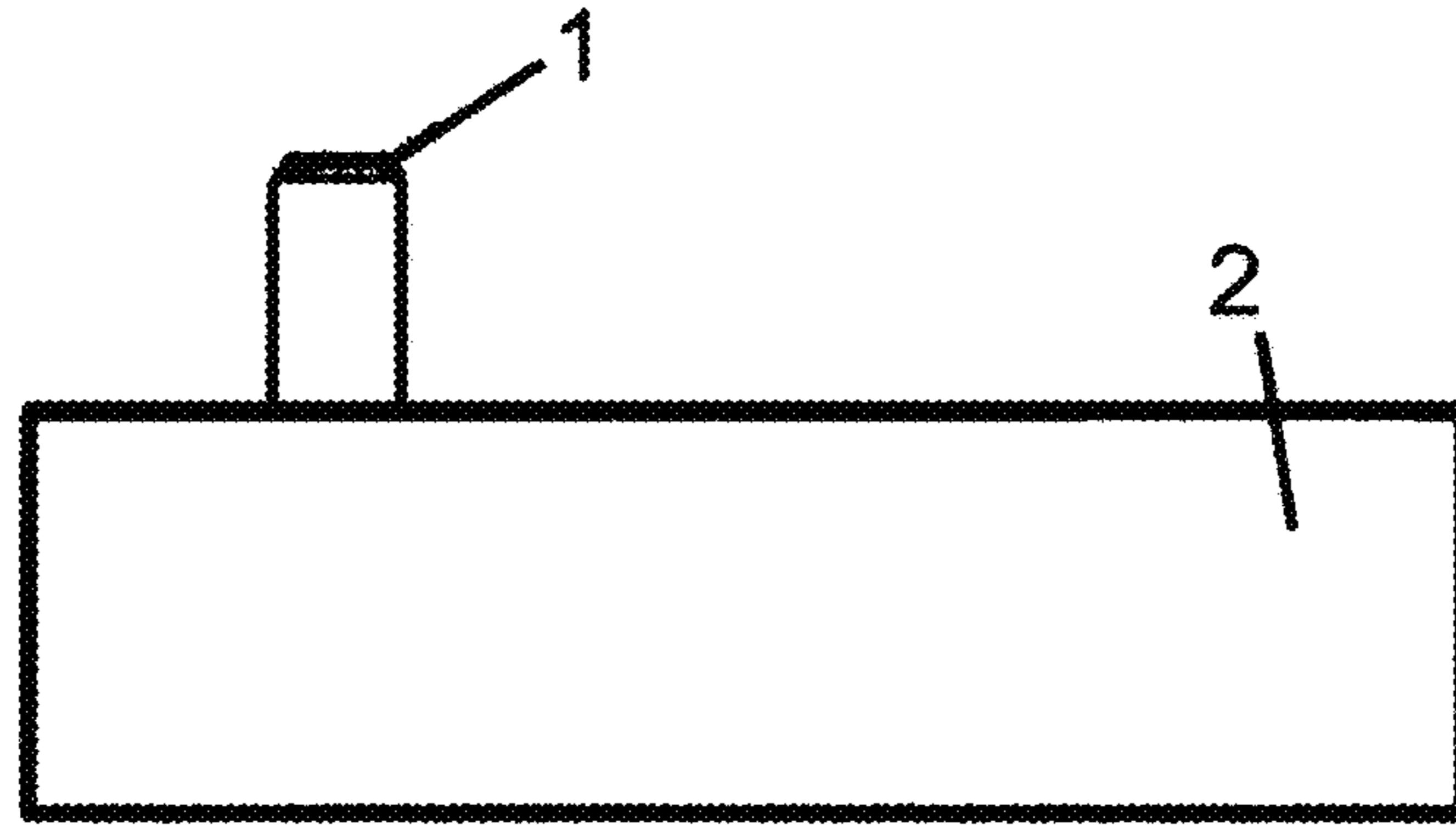


FIG. 2

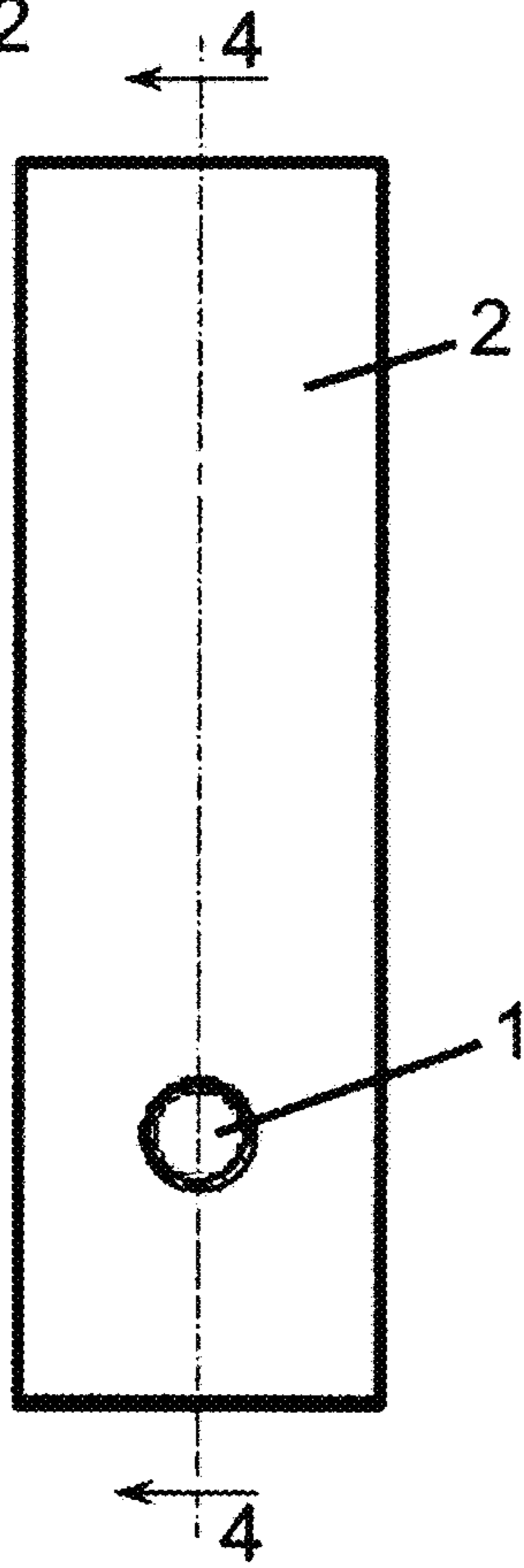


FIG. 3

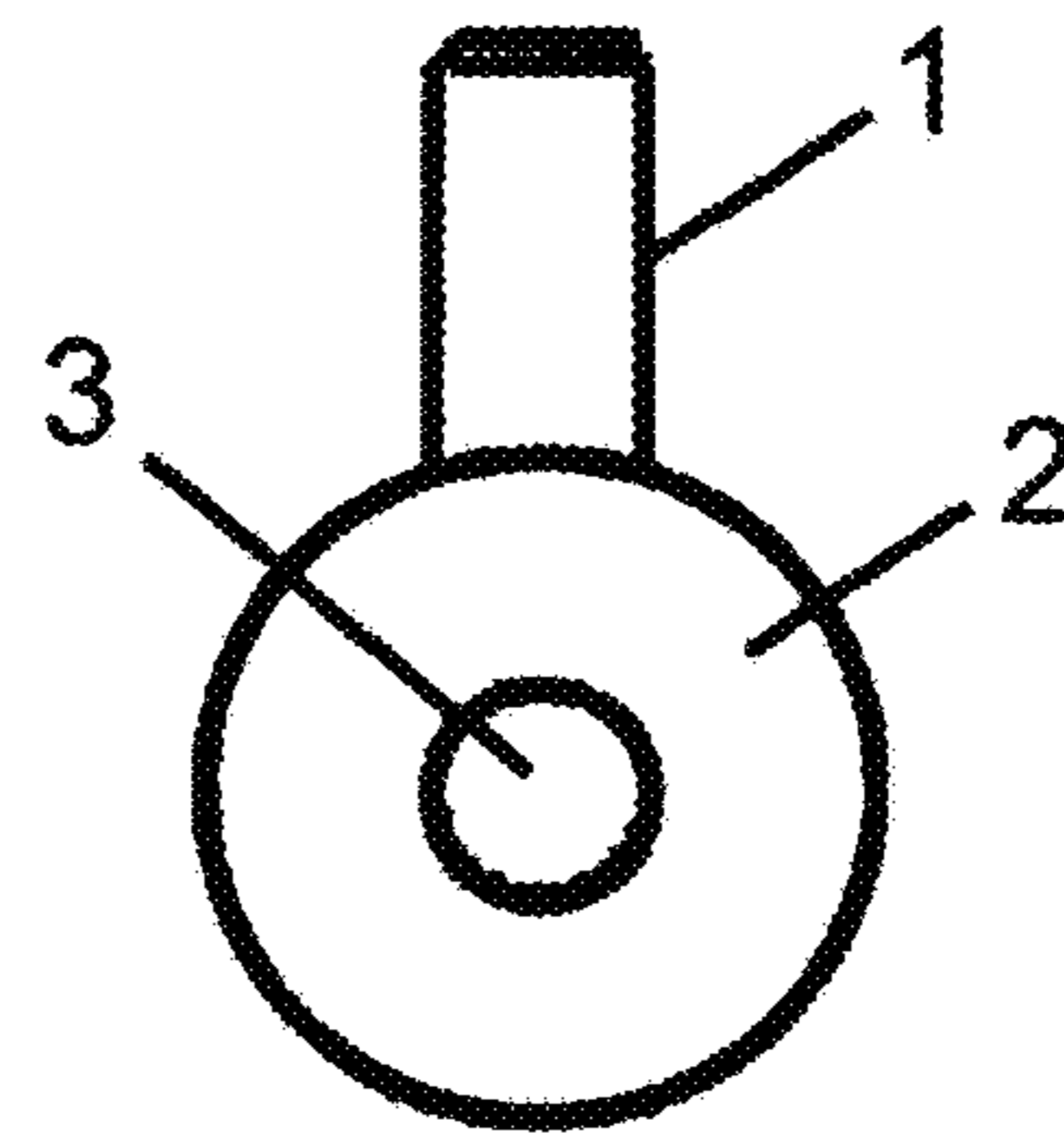


FIG. 4

