



US00D803032S

(12) **United States Design Patent**
Jammehdiabadi

(10) **Patent No.:** **US D803,032 S**

(45) **Date of Patent:** **** Nov. 21, 2017**

- (54) **VACUUM HOSE CADDY**
- (71) Applicant: **Khodayar Jammehdiabadi**,
Woodbridge (CA)
- (72) Inventor: **Khodayar Jammehdiabadi**,
Woodbridge (CA)
- (**) Term: **15 Years**
- (21) Appl. No.: **29/586,263**
- (22) Filed: **Dec. 1, 2016**
- (51) **LOC (10) Cl.** **09-06**
- (52) **U.S. Cl.**
USPC **D8/356**
- (58) **Field of Classification Search**
USPC D8/396, 394, 382, 349, 356, 354
CPC H01R 11/11; F16L 23/036; F16L 3/13
See application file for complete search history.

D601,632 S *	10/2009	Goodman	D19/90
D651,067 S *	12/2011	Johnson, III	D8/354
D669,341 S *	10/2012	Hernandez	D8/356
D707,968 S *	7/2014	Tobaruela	D3/304
D707,969 S *	7/2014	Tobaruela	D3/304
D707,970 S *	7/2014	Tobaruela	D3/304
D707,971 S *	7/2014	Tobaruela	D3/304
D721,134 S *	1/2015	Prescott	D19/90
D739,720 S *	9/2015	Van Riper	D8/394
D753,468 S *	4/2016	Weger	D8/356
D793,209 S *	8/2017	Galpchian	D8/349
2013/0095691 A1 *	4/2013	Blanton	H01R 13/6392 439/370
2015/0351598 A1 *	12/2015	Bosses	A47L 9/0018 15/323
2017/0204613 A1 *	7/2017	Harcrow, Jr.	E04D 13/0767
2017/0214156 A1 *	7/2017	Washio	H01R 11/11

* cited by examiner

Primary Examiner — Cynthia Underwood

(57) **CLAIM**

I claim the ornamental design for a vacuum hose caddy, as shown and described above.

(56) **References Cited**

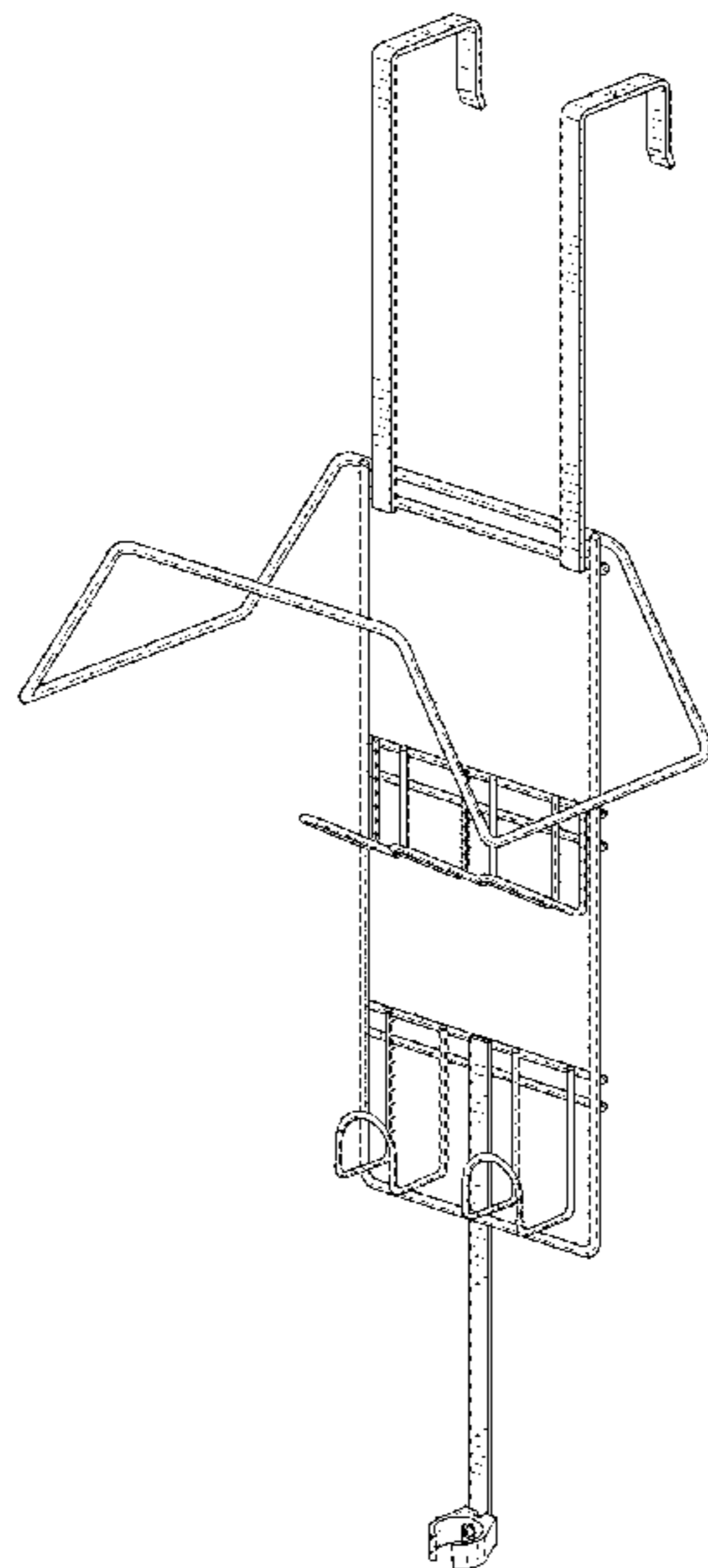
U.S. PATENT DOCUMENTS

D192,189 S *	2/1962	McMasters	D6/680.3
D204,290 S *	4/1966	Kohn et al.	D8/358
4,238,035 A *	12/1980	Kassanchuk	A47L 19/04 211/181.1
D371,228 S *	6/1996	Monin	D30/121
6,109,462 A *	8/2000	Emalfarb	A47F 5/01 211/119
D434,886 S *	12/2000	Wareham	D32/31
6,367,373 B1 *	4/2002	Bargman	A47J 37/0694 99/419
6,488,246 B2 *	12/2002	Song	A47L 9/0009 248/175
6,570,092 B2 *	5/2003	Quertelet	H02G 3/0443 174/68.3
D490,691 S *	6/2004	Buss	D8/356
D549,081 S *	8/2007	Lin	D8/356
D552,971 S *	10/2007	Lin	D8/356

DESCRIPTION

FIG. 1 is a perspective view of the vacuum hose caddy, according to the present design;
 FIG. 2 is a left side view of the vacuum hose caddy of FIG. 1;
 FIG. 3 is a front view of the vacuum hose caddy of FIG. 1;
 FIG. 4 is a right side view of the vacuum hose caddy of FIG. 1;
 FIG. 5 is a rear view of the vacuum hose caddy of FIG. 1;
 FIG. 6 is a top view of the vacuum hose caddy of FIG. 1;
 and,
 FIG. 7 is a bottom view of the vacuum hose caddy of FIG. 1.

1 Claim, 4 Drawing Sheets



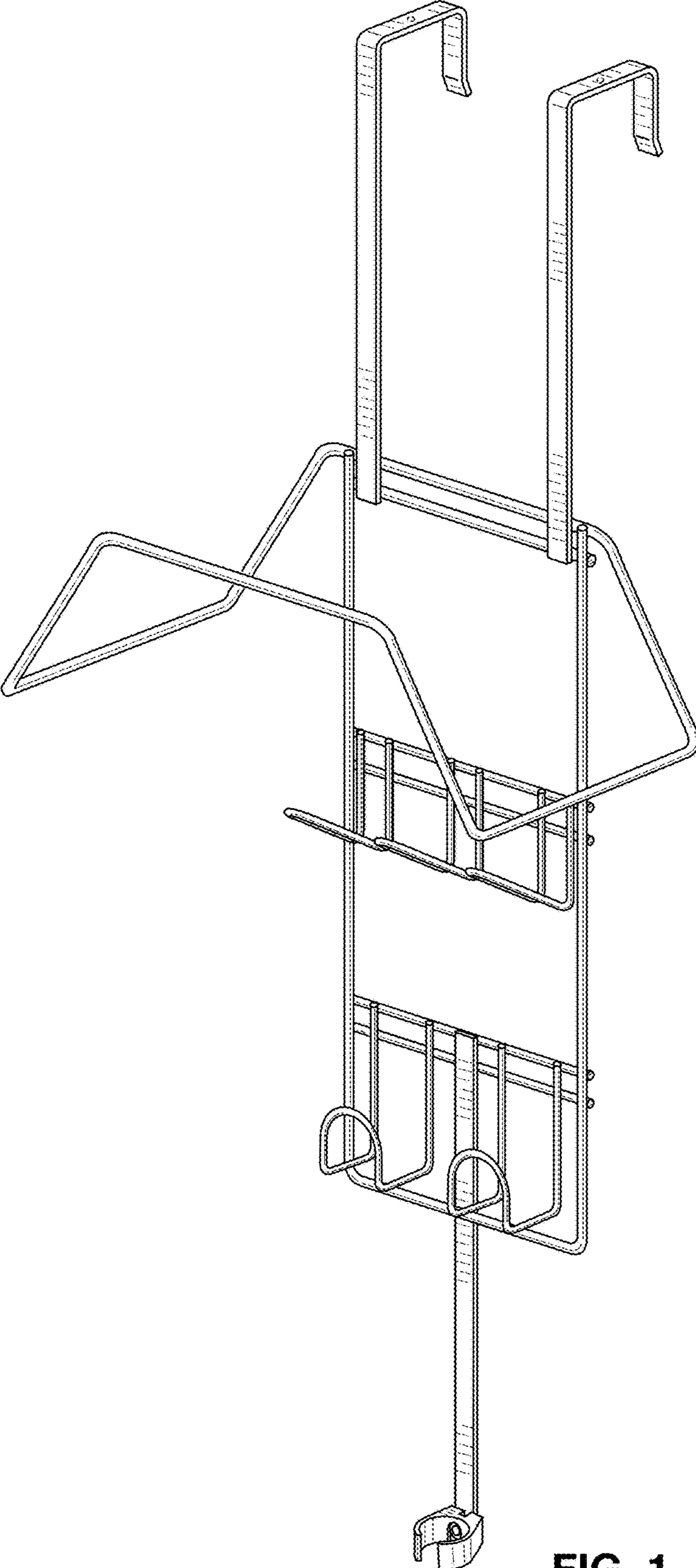


FIG. 1

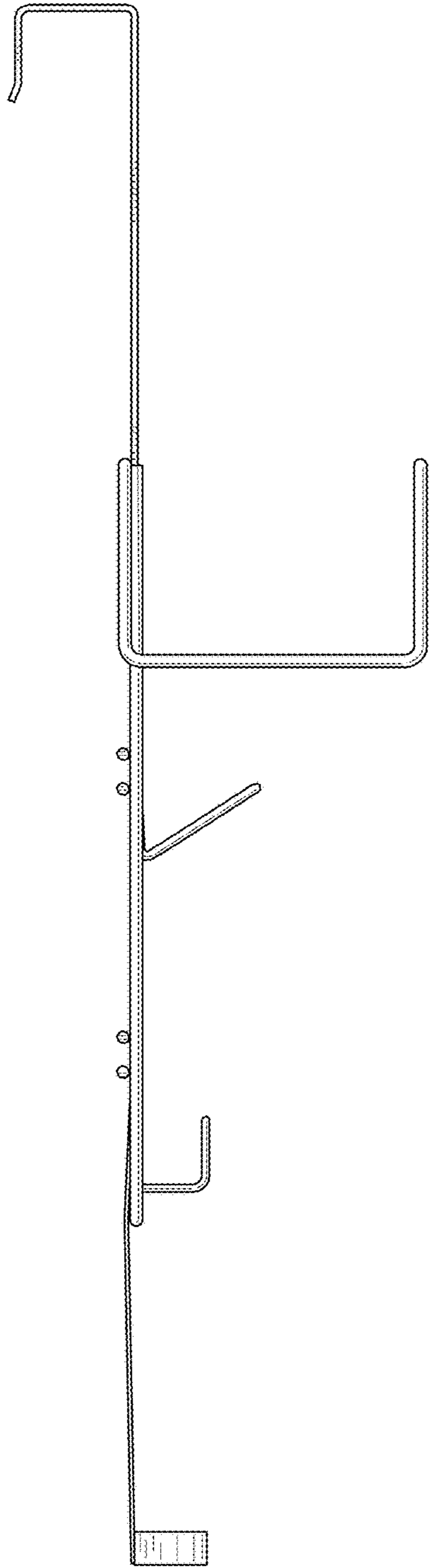


FIG. 2

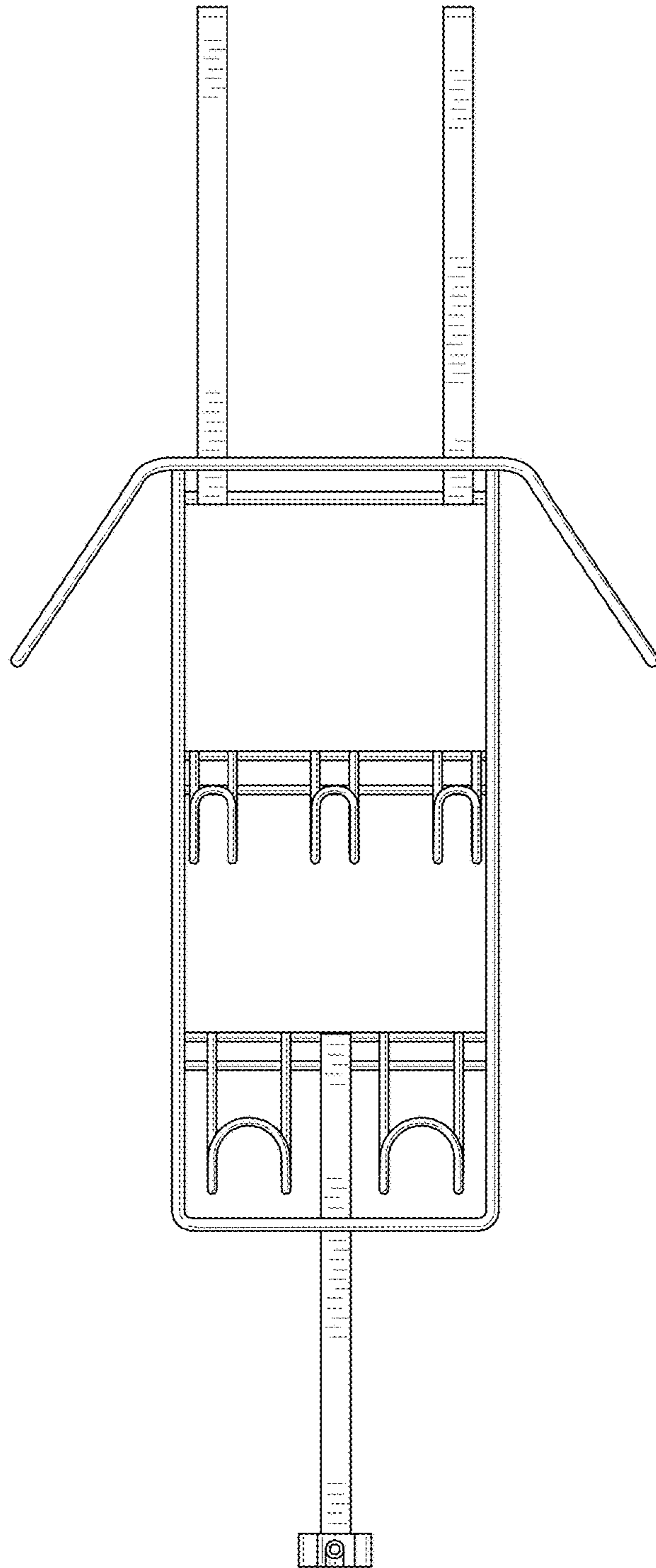


FIG. 3

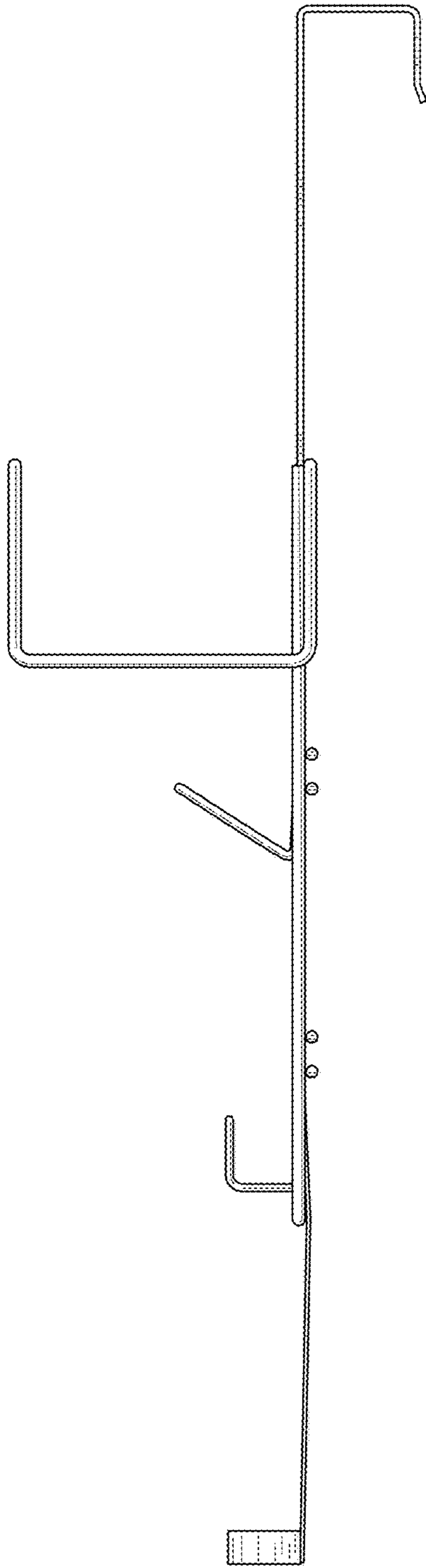


FIG. 4

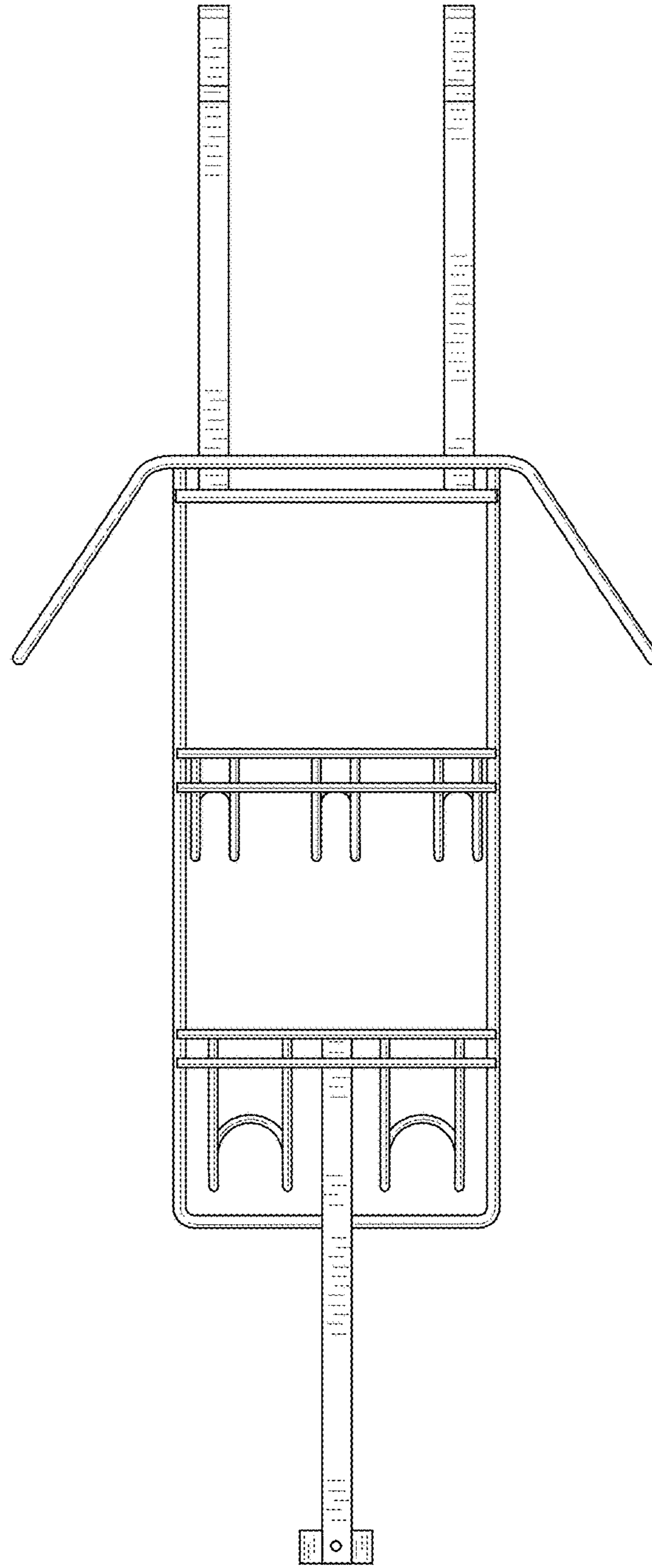


FIG. 5

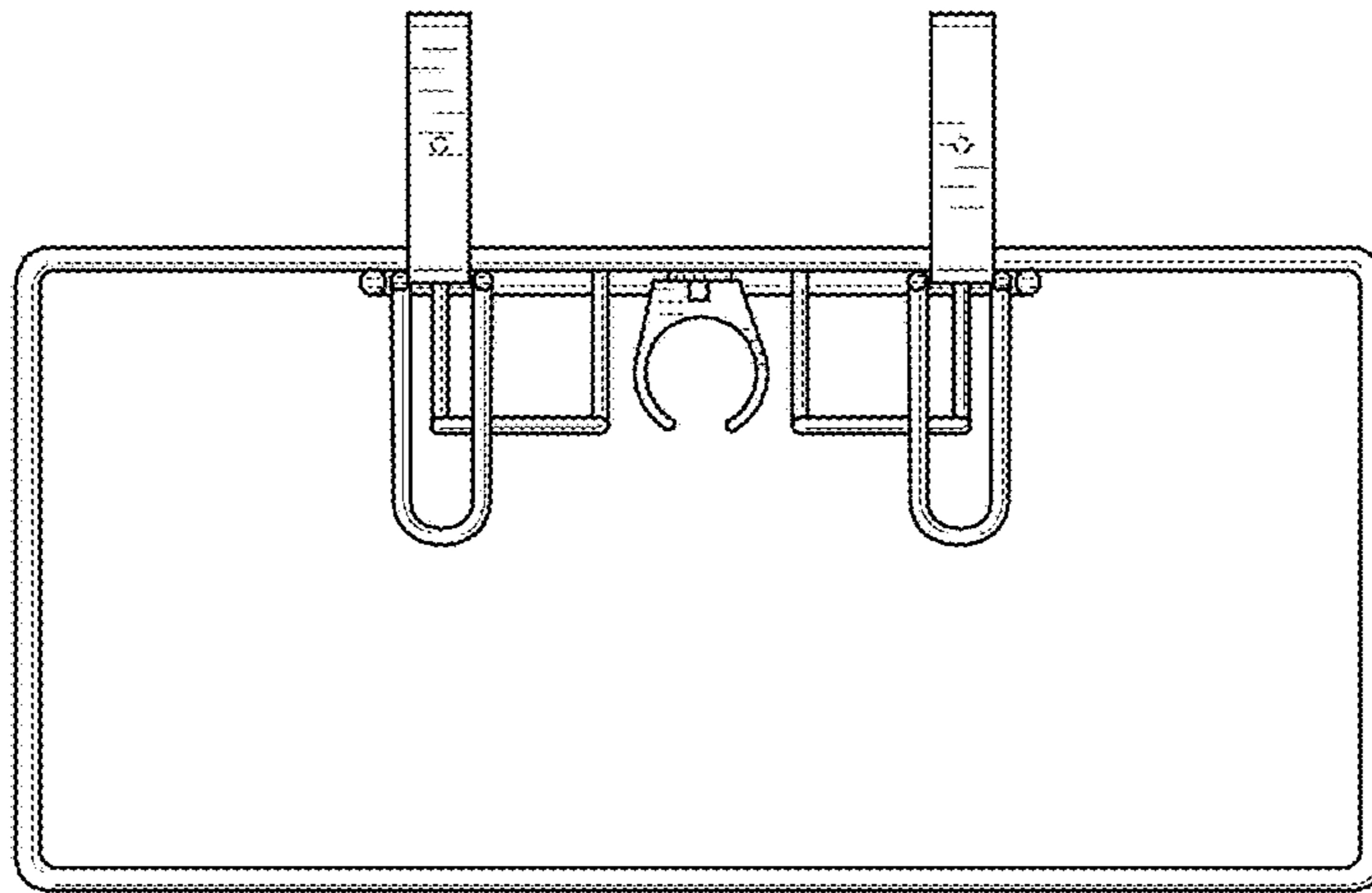


FIG. 6

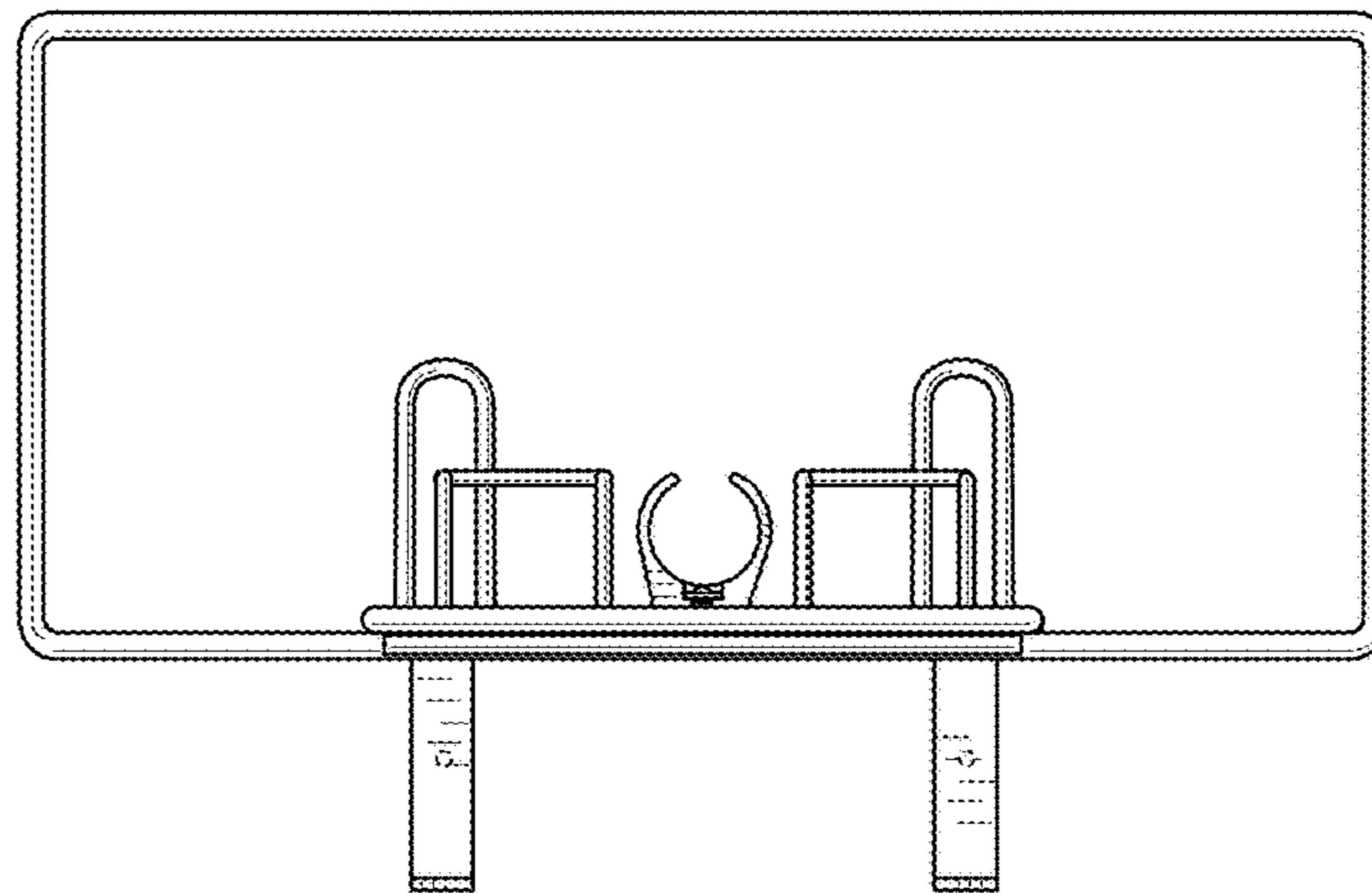


FIG. 7