



US00D803030S

(12) **United States Design Patent** (10) **Patent No.:** **US D803,030 S**  
**Wengreen** (45) **Date of Patent:** **\*\* Nov. 21, 2017**

(54) **MOUNT FOR ELECTRONIC DEVICES**  
(71) Applicant: **Innovelis, Inc.**, Sammamish, WA (US)  
(72) Inventor: **Eric John Wengreen**, Sammamish, WA (US)  
(73) Assignee: **Innovelis, Inc.**, Sammamish, WA (US)  
(\*\*) Term: **15 Years**  
(21) Appl. No.: **29/593,759**  
(22) Filed: **Feb. 13, 2017**

3,176,950 A 4/1965 Hittesdorf  
3,279,009 A 10/1966 Deane  
3,294,298 A 12/1966 Danielson  
3,477,679 A 11/1969 Lovitz  
3,990,617 A 11/1976 Carter  
D242,766 S 12/1976 Neece  
4,067,532 A 1/1978 Viteretto  
4,158,450 A 6/1979 Suzuki  
4,467,244 A 8/1984 Dickie  
4,519,656 A 5/1985 Raz  
D280,466 S 9/1985 Seltzer  
(Continued)

**Related U.S. Application Data**

(63) Continuation of application No. 15/424,837, filed on Feb. 4, 2017.  
(51) **LOC (10) Cl.** ..... **08-05**  
(52) **U.S. Cl.**  
USPC ..... **D8/354**  
(58) **Field of Classification Search**  
USPC ..... D14/250-253, 440, 203.3-203.7, 217, D14/496, 248, 238.1, 240, 447, 130, 247, D14/341, 345, 346, 439, 451; D8/354; D3/201, 218, 269, 301, 273, 303, 103, D3/107, 108; 220/1.02; 379/426, 379/433.11, 455; 455/575.1, 575.8; 190/100; 206/305, 320  
CPC . A45C 11/00; A45C 13/002; A45C 2011/003; H04M 1/0283; H04M 1/0202; H04M 1/3888; H04M 1/185  
See application file for complete search history.

(56) **References Cited**

**U.S. PATENT DOCUMENTS**

1,618,573 A 2/1927 Cole  
2,584,646 A 2/1952 Wagstaff  
3,091,378 A 5/1963 O'Dwyer  
D196,542 S 10/1963 Zelnick

**OTHER PUBLICATIONS**

Apple TV, downloaded on Feb. 3, 2014 from <http://www.apple.com/appletv/what-is/>.

(Continued)

*Primary Examiner* — Lakiya Rogers  
*Assistant Examiner* — Harold E Blackwell, II

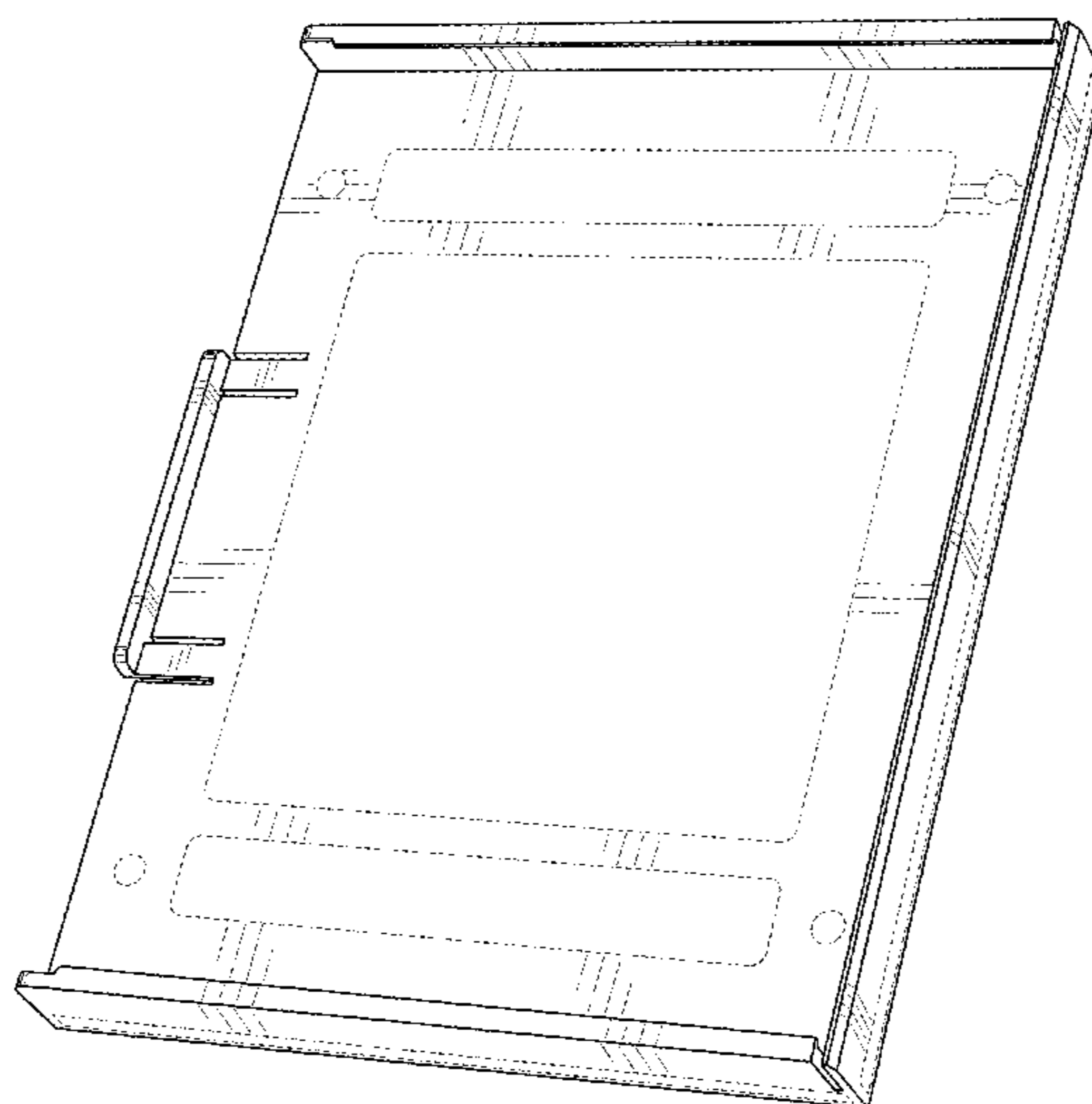
(57) **CLAIM**

The ornamental design for a mount for electronic devices, as shown and described.

**DESCRIPTION**

FIG. 1 is a front, first side, and bottom perspective view of a mount for electronic devices embodying the new design; FIG. 2 is a back, second side, and top perspective view thereof; FIG. 3 is a bottom view thereof; FIG. 4 is a top view thereof; FIG. 5 is a second side view thereof; FIG. 6 is a first side view thereof; FIG. 7 is a front view thereof; and, FIG. 8 is a back view thereof.  
The uniform repeating broken lines depict portions of a mount for electronic devices in which the claimed design is embodied and form no part of the claimed design.

**1 Claim, 8 Drawing Sheets**



(56)

References Cited

U.S. PATENT DOCUMENTS

D282,034 S	1/1986	Janke	D536,239 S	2/2007	Tallman
4,602,761 A	7/1986	Carter	7,222,762 B2	5/2007	Rees
4,697,780 A	10/1987	Wenkman	D545,343 S	6/2007	Braun
4,746,042 A	5/1988	King	D547,863 S	7/2007	Heinsch
4,771,927 A	9/1988	Ventura	D551,008 S	9/2007	Hidalgo
4,815,683 A	3/1989	Ferrante	D553,352 S	10/2007	Allen
4,825,590 A	5/1989	Cullinane	D557,266 S	12/2007	Hughes
4,826,115 A	5/1989	Novitski	D560,411 S	1/2008	Chung
4,840,773 A	6/1989	Wade	D564,529 S	3/2008	Hughes
4,852,843 A	8/1989	Chandler	D565,399 S	4/2008	Grey
4,974,764 A	12/1990	Cantwell	D568,889 S	5/2008	Hughes
D317,157 S	5/1991	Jondelius	7,367,089 B2	5/2008	Cooke
5,038,985 A	8/1991	Chapin	D570,801 S	6/2008	Allen
5,092,395 A	3/1992	Amidzich	D586,795 S	2/2009	Richter
5,227,582 A	7/1993	Velasco	D596,172 S	7/2009	Ahlqvist
5,273,690 A	12/1993	McDowell	D598,945 S	8/2009	Gillespie
5,297,318 A	3/1994	Adolphson	7,580,255 B2	8/2009	Crooijmans
D351,341 S	10/1994	Hung	D601,000 S	9/2009	Cole
5,385,282 A	1/1995	Chen	D609,030 S	2/2010	Barabas
5,400,990 A	3/1995	Frankel	D610,579 S	2/2010	Behar
D359,616 S	6/1995	Ishibashi	D624,949 S	10/2010	Nakayama
D361,335 S	8/1995	Rudkiewicz	D625,729 S	10/2010	McNames
D361,462 S	8/1995	Newham	D628,611 S	12/2010	Lewis
D369,465 S	5/1996	Scheid	7,854,420 B2	12/2010	Depay
5,535,093 A	7/1996	Noguchi	D633,503 S	3/2011	Bo
D376,787 S	12/1996	Calfee	7,959,121 B1	6/2011	Barnes
5,593,124 A	1/1997	Wang	7,980,435 B2	7/2011	Tages
5,619,395 A	4/1997	McBride	D648,727 S	11/2011	Van Den Nieuwenhuizen
5,619,774 A	4/1997	Perry	D657,362 S	4/2012	Lister
D388,107 S	12/1997	Huckins	D662,491 S	6/2012	Andre
D390,849 S	2/1998	Richter	D667,411 S	9/2012	Kim
5,850,998 A	12/1998	Parsey	D669,890 S	10/2012	Hopkins
D407,408 S	3/1999	Hoff	D672,308 S	12/2012	Cobbett
D409,079 S	5/1999	Sobczynski	8,322,584 B2	12/2012	Dethmers
5,899,371 A	5/1999	Weliver	D686,629 S	7/2013	Trinh
D411,542 S	6/1999	Richter	D690,707 S	10/2013	Minn
5,914,707 A	6/1999	Kono	8,544,805 B2	10/2013	Virgin
5,961,083 A	10/1999	Hartman	D695,748 S	12/2013	Morris
5,979,724 A	11/1999	Loewenthal	D700,832 S	3/2014	Ng
D420,149 S	2/2000	Hersh	D705,229 S	5/2014	Wengreen
6,039,173 A	3/2000	Crow	D710,340 S	8/2014	Wengreen
D425,353 S	5/2000	Foy	D710,363 S	8/2014	Wengreen
6,073,901 A	6/2000	Richter	D710,836 S	8/2014	Wengreen
6,102,660 A	8/2000	Lee	D712,906 S	9/2014	Wengreen
6,105,923 A	8/2000	Robertson	D713,395 S	9/2014	Godycki
D431,250 S	9/2000	Richter	D713,399 S	9/2014	Green
6,163,997 A	12/2000	Deralas	8,847,549 B2	9/2014	Graham
6,193,546 B1	2/2001	Sadler	8,848,113 B2	9/2014	Wengreen
D443,493 S	6/2001	Skeem	D714,793 S	10/2014	Kim
6,275,885 B1	8/2001	Chin	D716,580 S	11/2014	Wengreen
6,336,615 B1	1/2002	Jeon	D717,307 S	11/2014	Chun
D456,024 S	4/2002	Richter	D717,804 S	11/2014	Budge
D456,413 S	4/2002	Malson	8,896,768 B1	11/2014	Wengreen
6,445,290 B1	9/2002	Fingal	8,934,060 B1	1/2015	Wengreen
6,485,144 B1	11/2002	Liao	8,934,061 B1	1/2015	Wengreen
D471,547 S	3/2003	Ruohonen	8,939,417 B1	1/2015	Wengreen
6,554,527 B1	4/2003	O'Donnell	D723,042 S	2/2015	Lee
6,560,983 B1	5/2003	Schimmeyer	8,988,616 B2	3/2015	Wengreen
6,691,374 B2	2/2004	Coyne	D729,544 S	5/2015	Wengreen
6,888,940 B1	5/2005	Deppen	D732,939 S	6/2015	Cannaverde
D508,605 S	8/2005	Shih-Ming	D733,105 S	6/2015	Wengreen
6,939,641 B2	9/2005	Kincaid	D733,542 S	7/2015	Cannaverde
6,983,126 B1	1/2006	Saalman	D733,691 S	7/2015	Wengreen
D518,704 S	4/2006	Miao	D734,305 S	7/2015	Wengreen
7,047,601 B1	5/2006	Vernon-Woods	D735,174 S	7/2015	Wengreen
7,067,737 B2	6/2006	Mallen	D739,410 S	9/2015	Chun
7,079,384 B2	7/2006	Wang	9,131,195 B2	9/2015	Wengreen
7,080,764 B2	7/2006	McNicholas	D742,387 S	11/2015	Xiang
7,113,218 B2	9/2006	Battles	9,185,953 B2 *	11/2015	Whitten ..... A45C 11/00
D529,713 S	10/2006	Guyot	D746,599 S	1/2016	Olson
D529,905 S	10/2006	Richter	D749,549 S	2/2016	Wengreen
D530,713 S	10/2006	Richter	D749,597 S	2/2016	Wengreen
D533,175 S	12/2006	Richter	D750,633 S	3/2016	Minn
7,145,603 B2	12/2006	Whitby	D751,563 S	3/2016	Wengreen
D535,826 S	1/2007	Toghanian	D752,415 S	3/2016	Lu
			9,339,112 B2	5/2016	Wengreen
			D759,005 S	6/2016	Murakami
			D761,236 S	7/2016	Wengreen
			D763,666 S	8/2016	Wengreen

(56)

References Cited

U.S. PATENT DOCUMENTS

D763,835 S 8/2016 Wengreen  
 D765,063 S 8/2016 Wengreen  
 D765,064 S 8/2016 Wengreen  
 D765,646 S 9/2016 Deng  
 D765,651 S 9/2016 Liu  
 D767,377 S 9/2016 Sekula  
 D770,171 S 11/2016 Lai  
 D772,217 S 11/2016 Alesi  
 D777,167 S 1/2017 Wengreen  
 9,543,082 B1 1/2017 Wengreen  
 D779,466 S 2/2017 Wengreen  
 9,578,960 B1\* 2/2017 Wu ..... A47B 21/0314  
 D795,820 S 8/2017 Wengreen  
 2005/0023419 A1 2/2005 Frankel  
 2005/0211861 A1 9/2005 Lee  
 2005/0236541 A1 10/2005 Chang  
 2006/0224575 A1 10/2006 Ostojic  
 2007/0097617 A1 5/2007 Searby  
 2007/0235609 A1 10/2007 Chun  
 2007/0264169 A1 11/2007 Chen  
 2008/0078793 A1 4/2008 Brown  
 2009/0218454 A1 9/2009 Stanley  
 2009/0296997 A1 12/2009 Rocheford  
 2010/0270190 A1 10/2010 Howard  
 2010/0281671 A1 11/2010 De Vaan  
 2010/0288895 A1 11/2010 Shamie

2010/0314277 A1 12/2010 Murray  
 2011/0242439 A1 10/2011 Calderon  
 2012/0126081 A1 5/2012 Wengreen  
 2012/0127379 A1 5/2012 Wengreen  
 2012/0168516 A1 7/2012 Bolger  
 2012/0280014 A1 11/2012 Lopez-Apodaca  
 2012/0312950 A1 12/2012 Sears  
 2014/0061406 A1 3/2014 Chevalier  
 2014/0103179 A1 4/2014 Lipke  
 2014/0241705 A1 8/2014 Wengreen  
 2015/0070835 A1 3/2015 McLean  
 2015/0212544 A1 7/2015 Chen  
 2015/0305502 A1 10/2015 Wengreen  
 2016/0007735 A1 1/2016 Gallup  
 2016/0119458 A1 4/2016 Gunther  
 2016/0120295 A1 5/2016 Rowley  
 2016/0218535 A1 7/2016 Prete  
 2016/0234955 A1 8/2016 Wengreen  
 2016/0241289 A1 8/2016 Wieth  
 2017/0150620 A1\* 5/2017 Wengreen ..... H05K 5/0204  
 2017/0208945 A1\* 7/2017 Wengreen ..... A47B 95/008

OTHER PUBLICATIONS

Hide it Mounts—PS4 Wall Mount, downloaded from <https://www.amazon.com/HIDE-Mounts-Original-Wall-Mount-PlayStation/dp/B00PML04YK>, available at least as early as Sep. 8, 2015.

\* cited by examiner

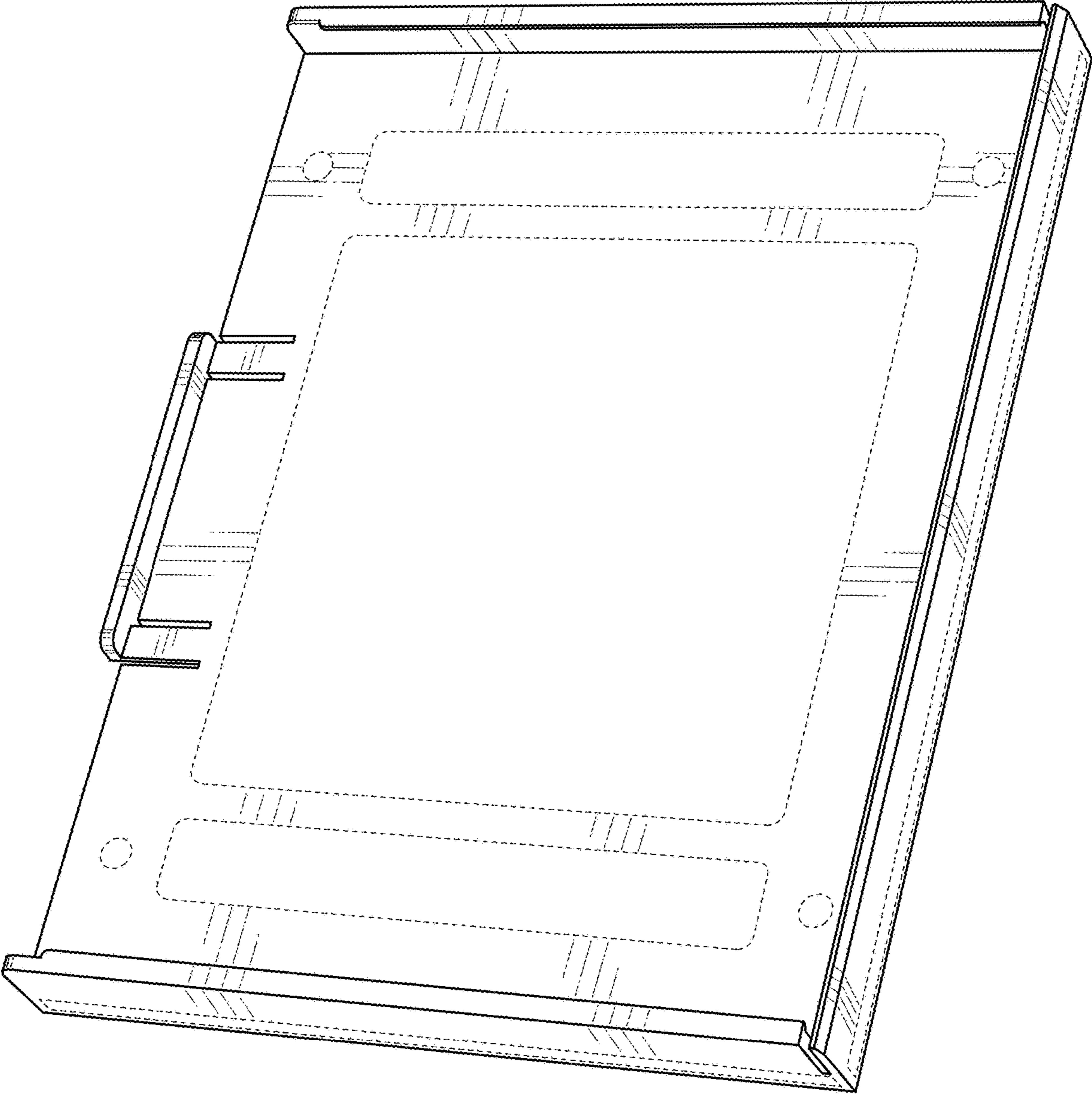


FIG. 1

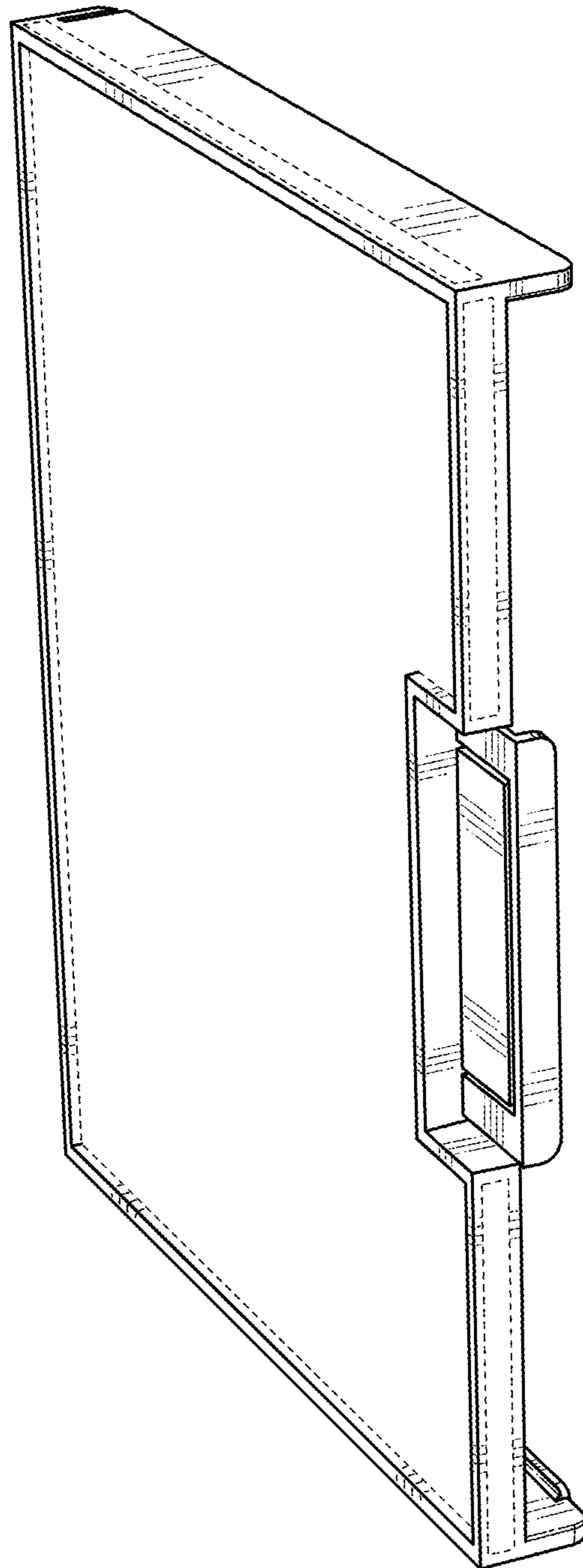


FIG. 2

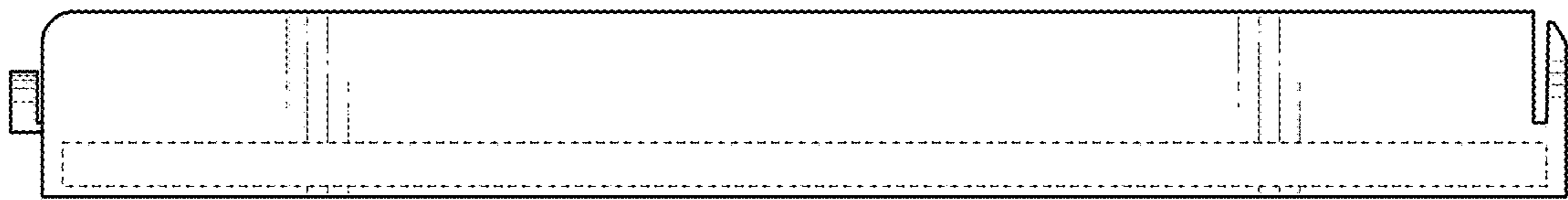


FIG. 3

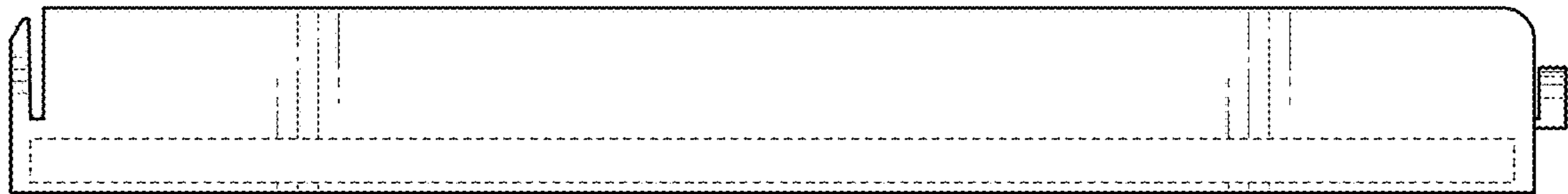


FIG. 4

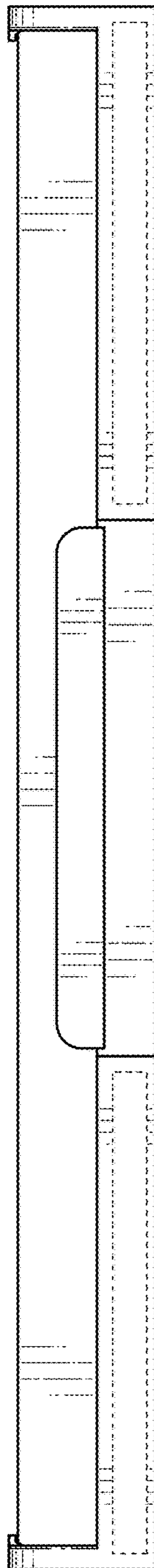


FIG. 5



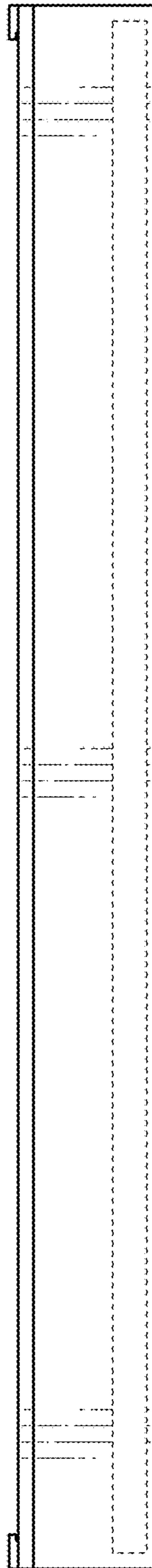


FIG. 6

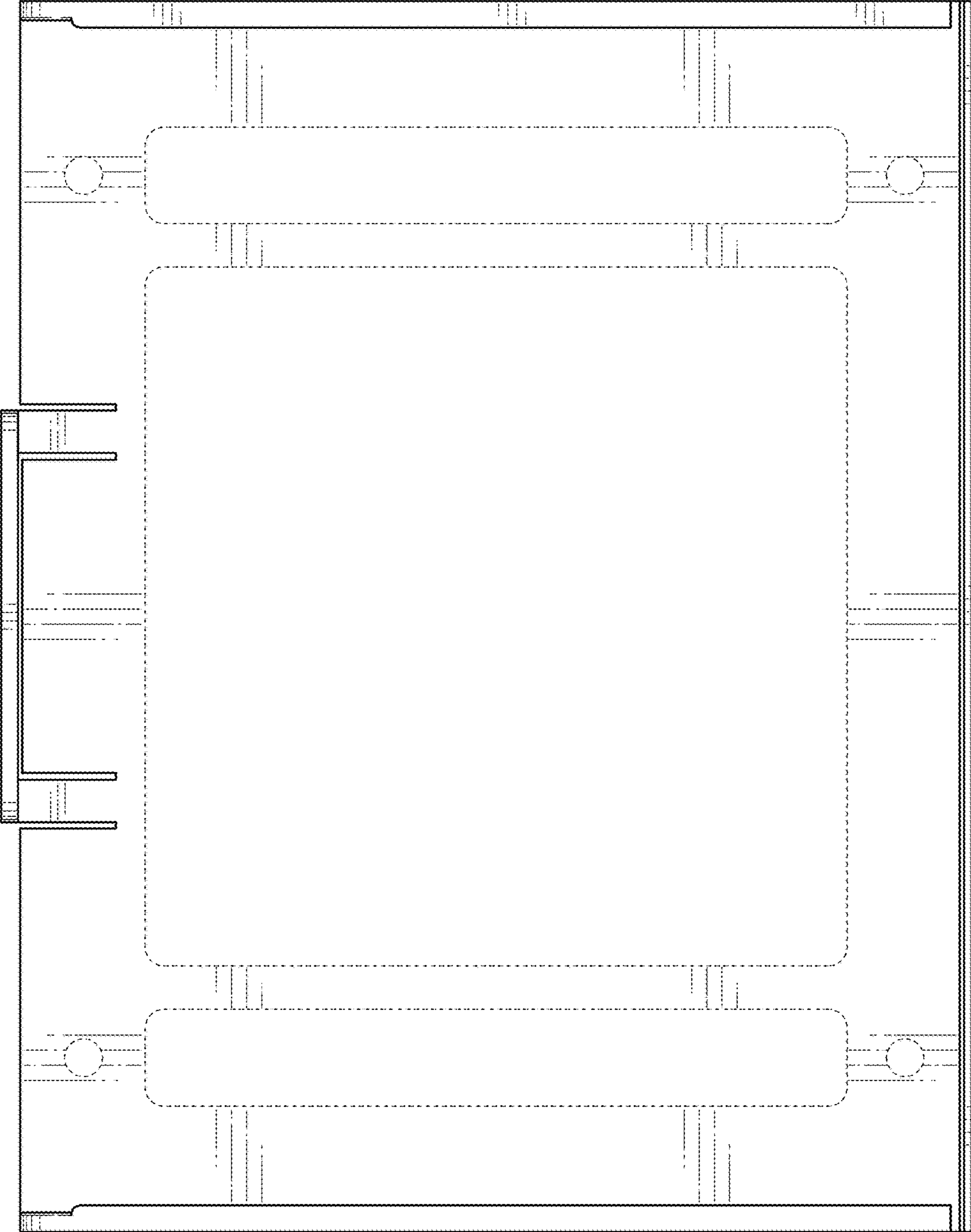


FIG. 7

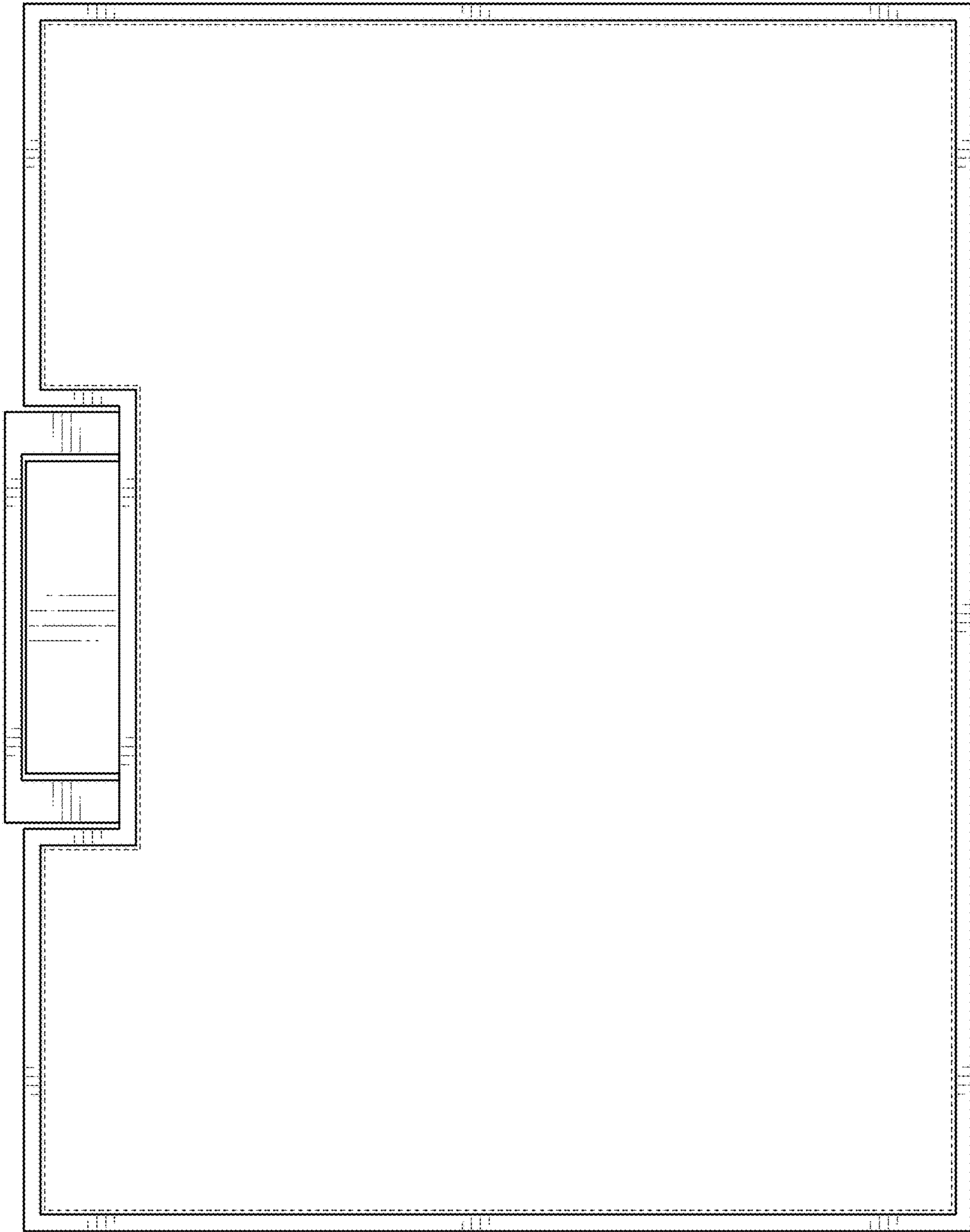


FIG. 8