



US00D803025S

(12) **United States Design Patent**
Larose et al.

(10) **Patent No.:** **US D803,025 S**

(45) **Date of Patent:** **** Nov. 21, 2017**

(54) **STARTER HANDLE**

(71) Applicant: **Diamond Performance Ltd.**, Singapore (SG)

(72) Inventors: **Sébastien Larose**, Quebec (CA);
Christian Gauvin, Lévis (CA);
Sébastien Bonneau, Lévis (CA);
Vincent Hamelin, Quebec (CA);
Jean-Sébastien Langlois, Charlesbourg (CA); **Kent Davidson**, Calgary (CA)

(73) Assignee: **DIAMOND PERFORMANCE LTD.**, Singapore (SG)

(**) Term: **15 Years**

(21) Appl. No.: **29/557,607**

(22) Filed: **Mar. 10, 2016**

(30) **Foreign Application Priority Data**

Sep. 11, 2015 (CA) 164252

(51) **LOC (10) Cl.** **08-06**

(52) **U.S. Cl.**
USPC **D8/300**

(58) **Field of Classification Search**
USPC D8/300, 302, 305, 307, 311, 353, 394;
D25/107, 121; D23/250
CPC A47B 95/02; E05B 1/00; E05B 1/0015
See application file for complete search history.

(56) **References Cited**

U.S. PATENT DOCUMENTS

1,611,999 A * 12/1926 Cummins E05B 3/06
292/348
D94,405 S * 1/1935 Carlson D8/302

D94,406 S * 1/1935 Carlson D8/302
D94,408 S * 1/1935 Carlson D8/302
D190,391 S * 5/1961 Cordova D8/341
D198,397 S * 6/1964 Dickman D8/307
D204,461 S * 4/1966 Volker D22/108
4,689,976 A * 9/1987 Larsen E05B 5/003
70/140
D569,217 S * 5/2008 Nahls D8/302
D605,024 S * 12/2009 Cotton D8/302

OTHER PUBLICATIONS

Diamondgrip: Announced 2016 [online], site visited Feb. 27, 2016.
Available from Internet URL: http://www.diamonduniverse.org/?page_id=312.*

* cited by examiner

Primary Examiner — Caron D Veynar

Assistant Examiner — Melvin L Davis

(74) *Attorney, Agent, or Firm* — Ming Chow; Sinorica, LLC

(57) **CLAIM**

The ornamental design for a starter handle, as shown and described.

DESCRIPTION

FIG. 1 is a perspective view of a starter handle according to the present design.

FIG. 2 is a front view of FIG. 1.

FIG. 3 is a top view of FIG. 1.

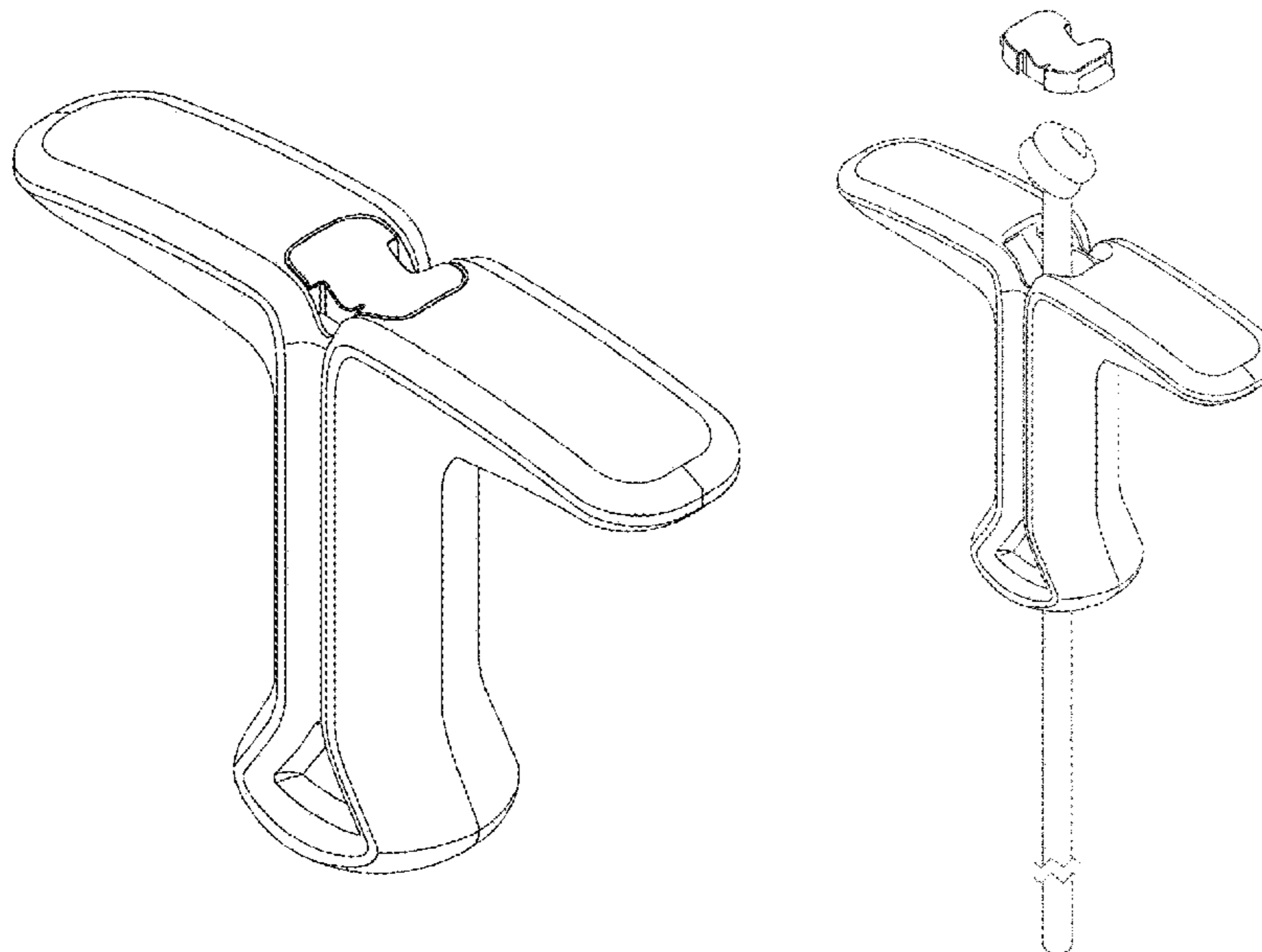
FIG. 4 is a bottom view of FIG. 1.

FIG. 5 is a side view of FIG. 1; and,

FIG. 6 is a perspective view, showing FIG. 1 in an open state with unclaimed environmental subject matter.

The broken lines shown in the drawings illustrate environmental structure and form no part of the claimed design.

1 Claim, 6 Drawing Sheets



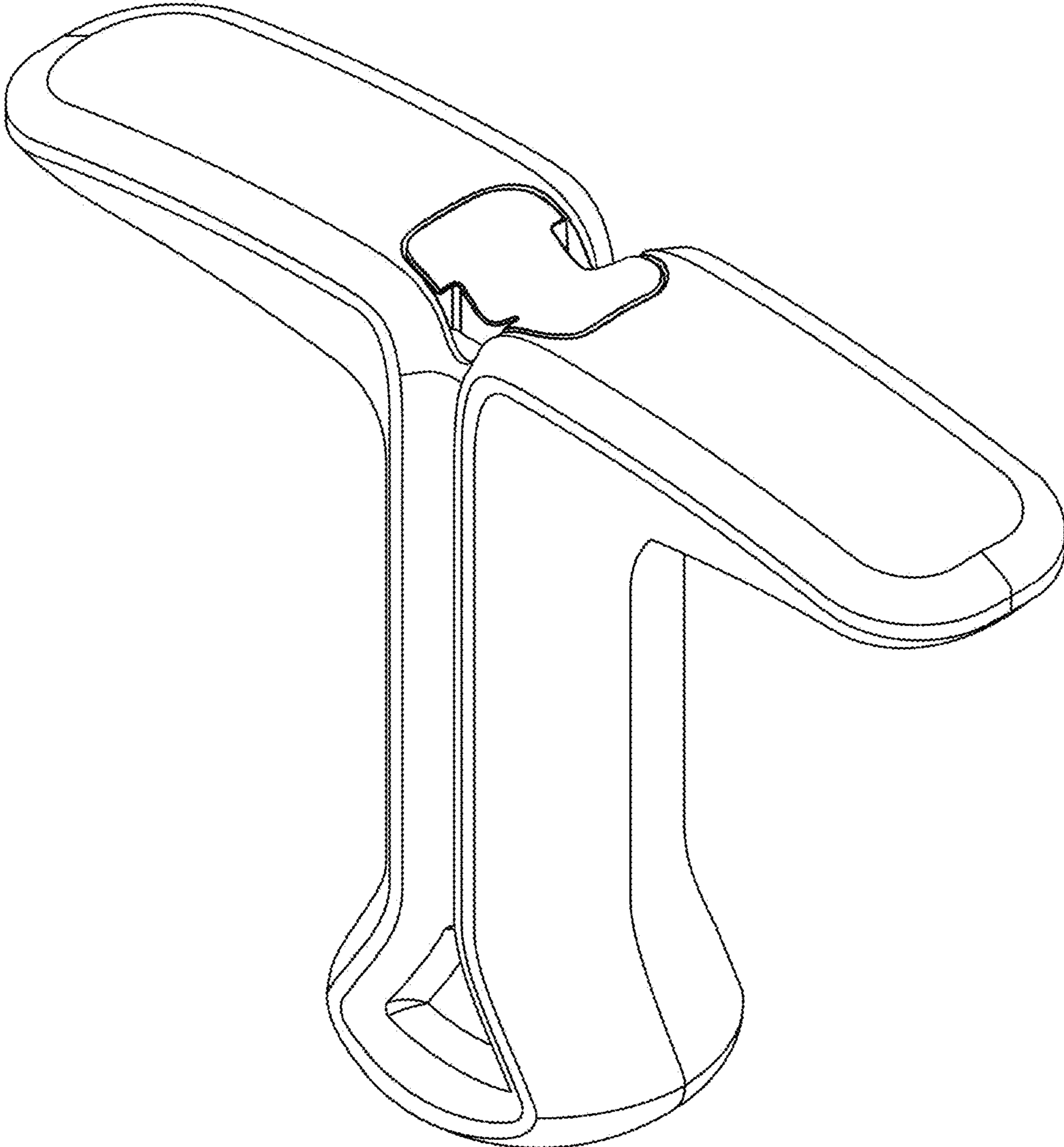


FIG. 1

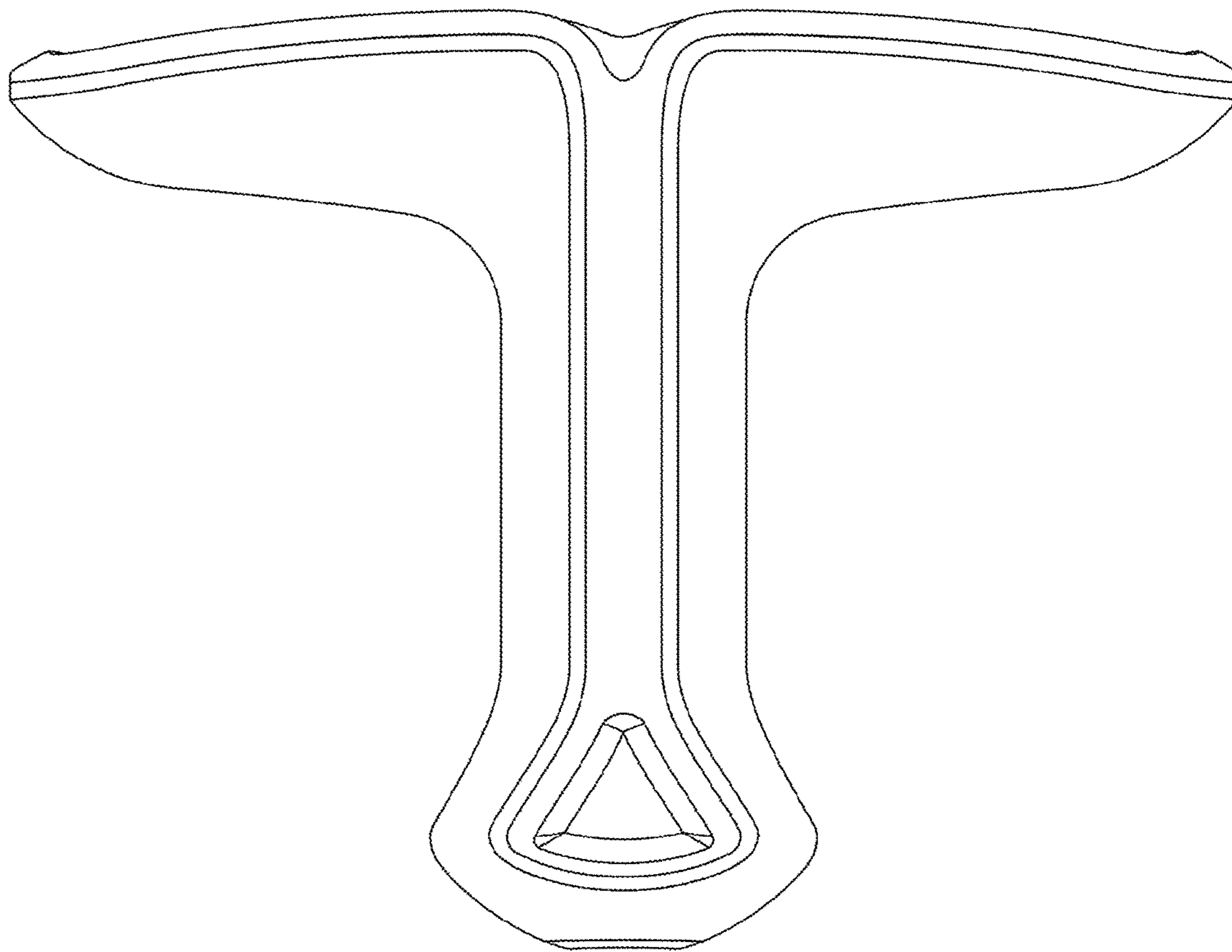


FIG. 2

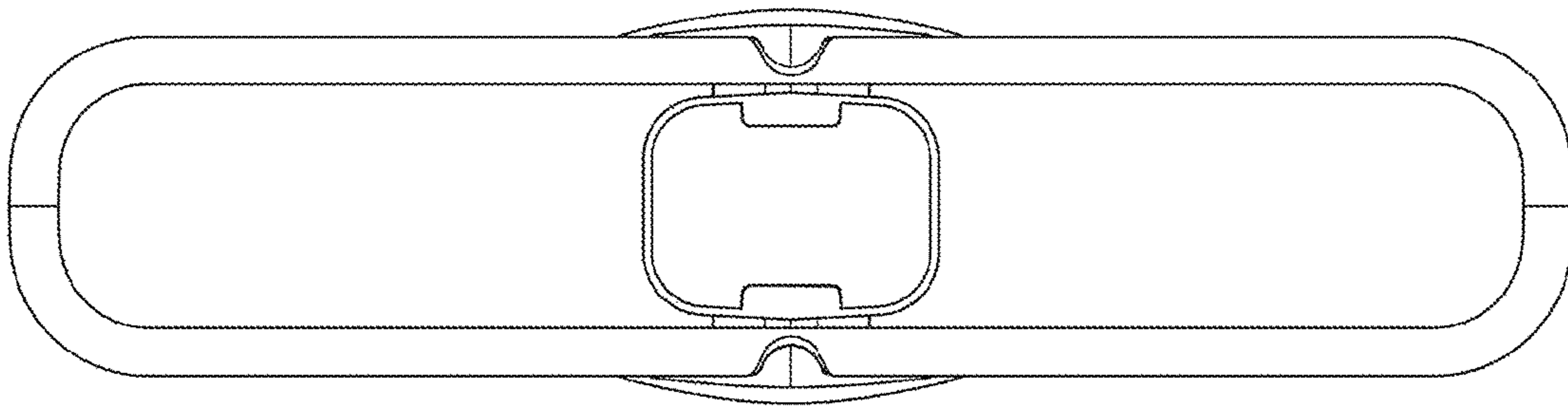


FIG. 3

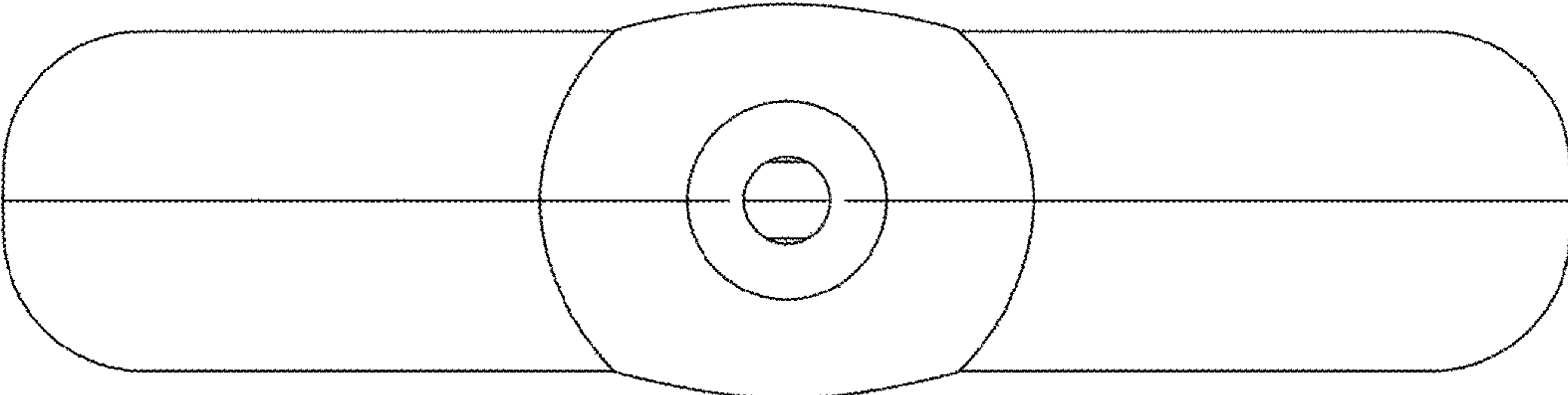


FIG. 4

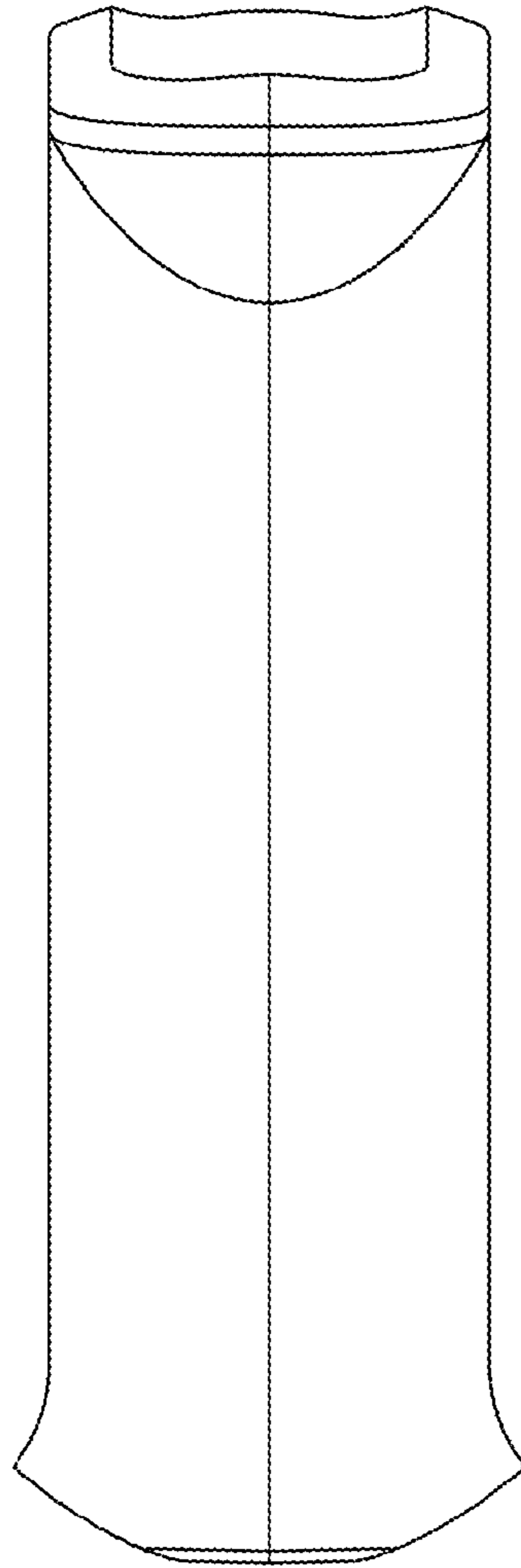


FIG. 5

