



US00D803023S

(12) **United States Design Patent** (10) **Patent No.:** **US D803,023 S**
Anderson et al. (45) **Date of Patent:** **** Nov. 21, 2017**

(54) **TOOL TIP**
(71) Applicants: **Wayne Anderson**, Northport, NY (US);
Warren Anderson, Northport, NY (US)
(72) Inventors: **Wayne Anderson**, Northport, NY (US);
Warren Anderson, Northport, NY (US)
(**) Term: **15 Years**
(21) Appl. No.: **29/560,473**
(22) Filed: **Apr. 7, 2016**
(51) **LOC (10) Cl.** **08-04**
(52) **U.S. Cl.**
USPC **D8/86**
(58) **Field of Classification Search**
USPC D8/82, 85, 86, 14, 71
CPC B25B 15/00; B25B 15/001; B25B 15/002;
B25B 15/004; B25B 15/005; B25B
15/007; B25B 23/10
See application file for complete search history.

6,886,431 B1 * 5/2005 Petrsorich F16B 23/0015
81/436
D659,501 S * 5/2012 Wood D8/86
D669,330 S * 10/2012 Wood D8/82
D754,513 S * 4/2016 Burch D8/86
2010/0192736 A1 * 8/2010 Burch B25B 15/005
81/438

* cited by examiner

Primary Examiner — Phillip S Hyder
(74) *Attorney, Agent, or Firm* — Andrew F. Young, Esq.;
Lackebach Siegel, LLP

(57) **CLAIM**

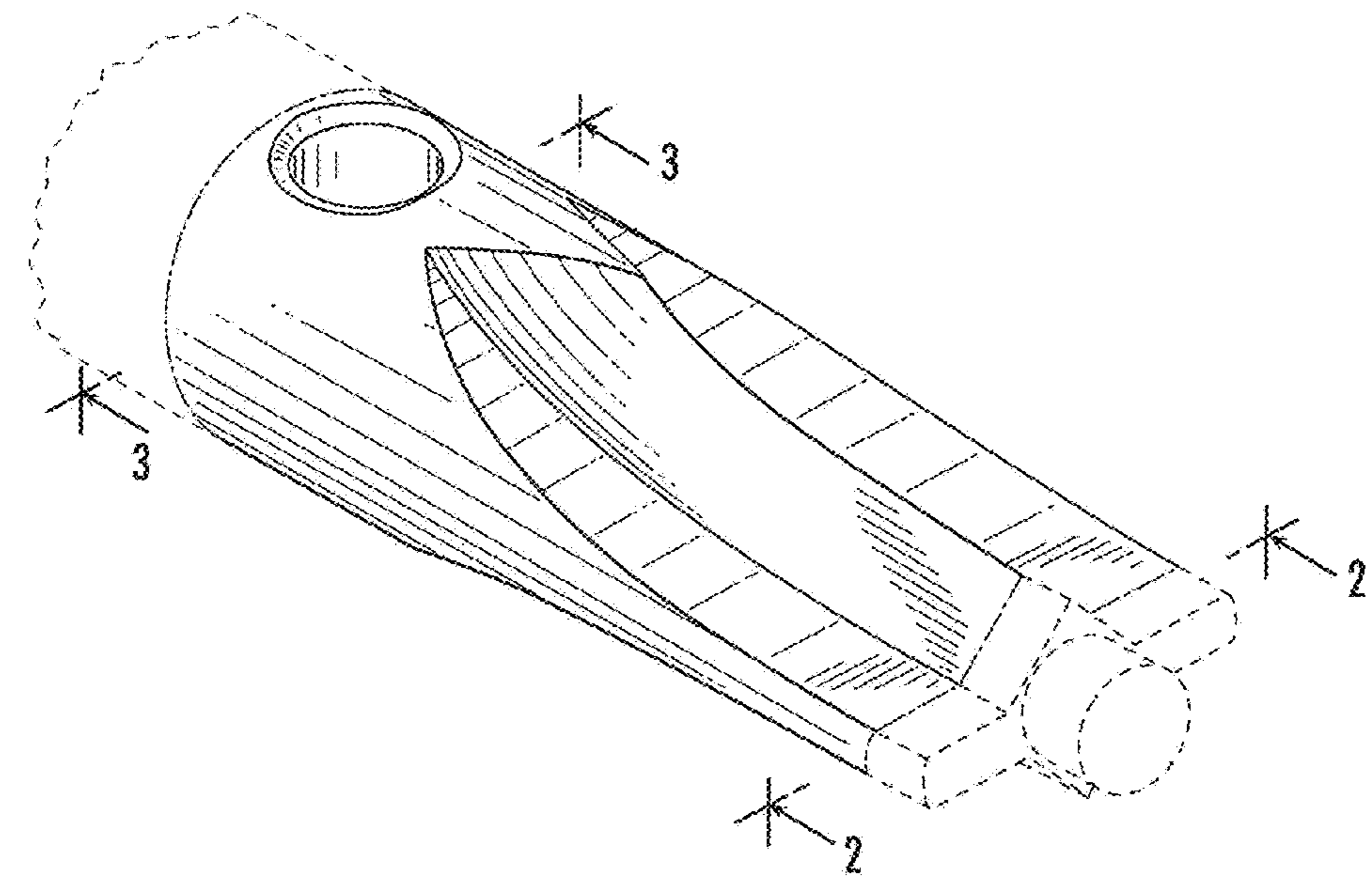
The ornamental design for a tool tip, as shown and described.

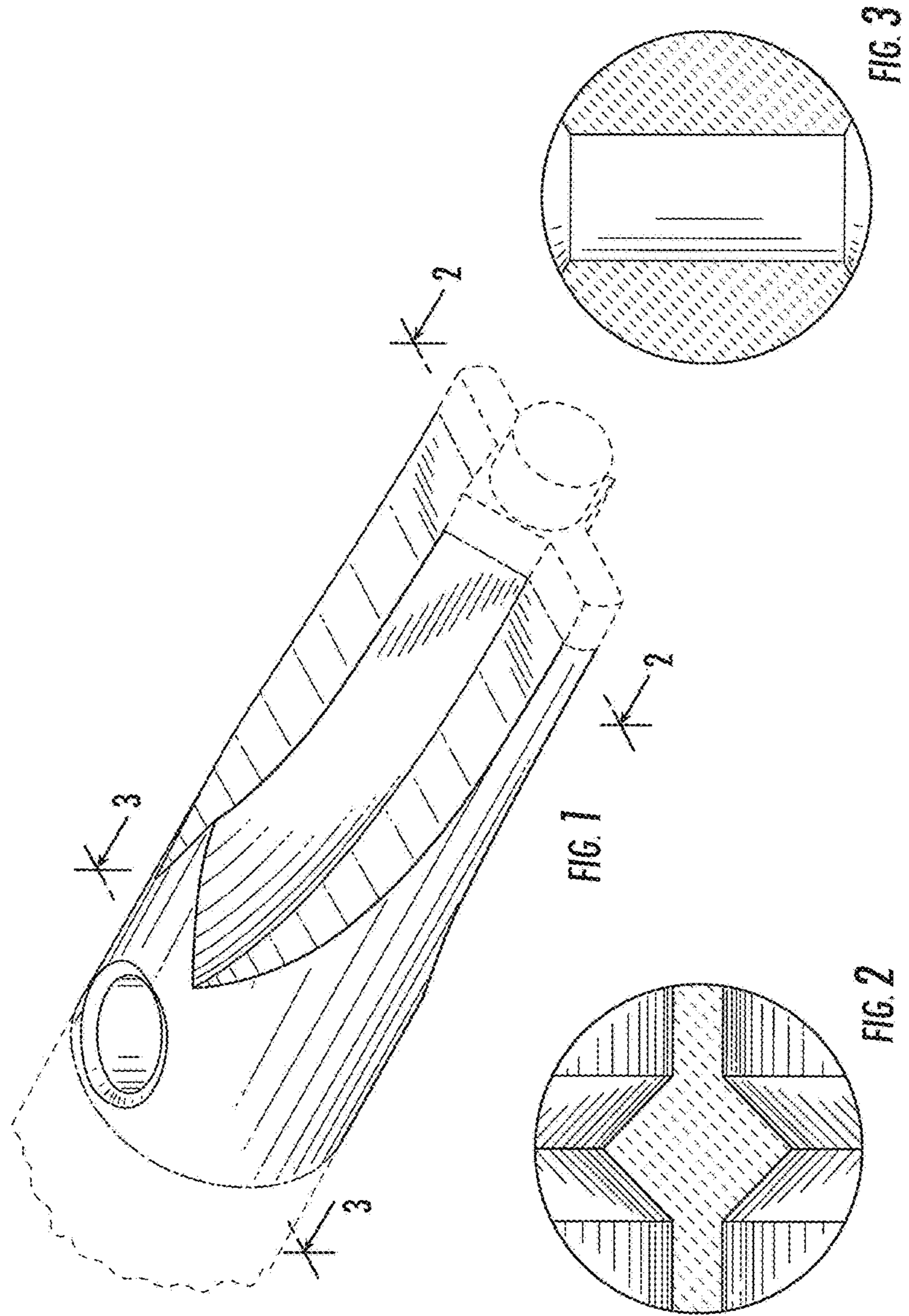
DESCRIPTION

FIG. 1 is a front perspective view of a tool tip according to the present invention, a rear perspective view thereof being a mirror image.
FIG. 2 is a front elevation sectional view along section 2-2 in FIG. 2 thereof, the rear elevation view thereof being disclaimed and not shown for that reason.
FIG. 3 is a descriptive sectional view along section 3-3 in FIG. 1, depicting inner surface thereof.
FIG. 4 is a right elevation view thereof, the left elevation view being a mirror image thereof; and,
FIG. 5 is a top plan view thereof, the bottom plan view being a mirror image thereof.
The surfaces are lined for contour only and no claim is made to any particular surface texture. The dash-dot-dash line mark claim boundary limits and the disclaimed dash-dash lines indicate portions of the tool tip to which no claim is made.

(56) **References Cited**
U.S. PATENT DOCUMENTS
2,431,628 A * 11/1947 Waarich F16B 23/0015
411/407
3,175,593 A * 3/1965 Launay B21K 1/463
411/403
3,695,321 A * 10/1972 Garehime, Jr. B25B 15/007
411/403
3,891,017 A * 6/1975 Iskra B25B 15/007
81/436
D371,946 S * 7/1996 Giblin D8/82
6,176,161 B1 * 1/2001 Huang B25B 15/005
81/177.2
D453,289 S * 2/2002 Campbell D8/86

1 Claim, 2 Drawing Sheets





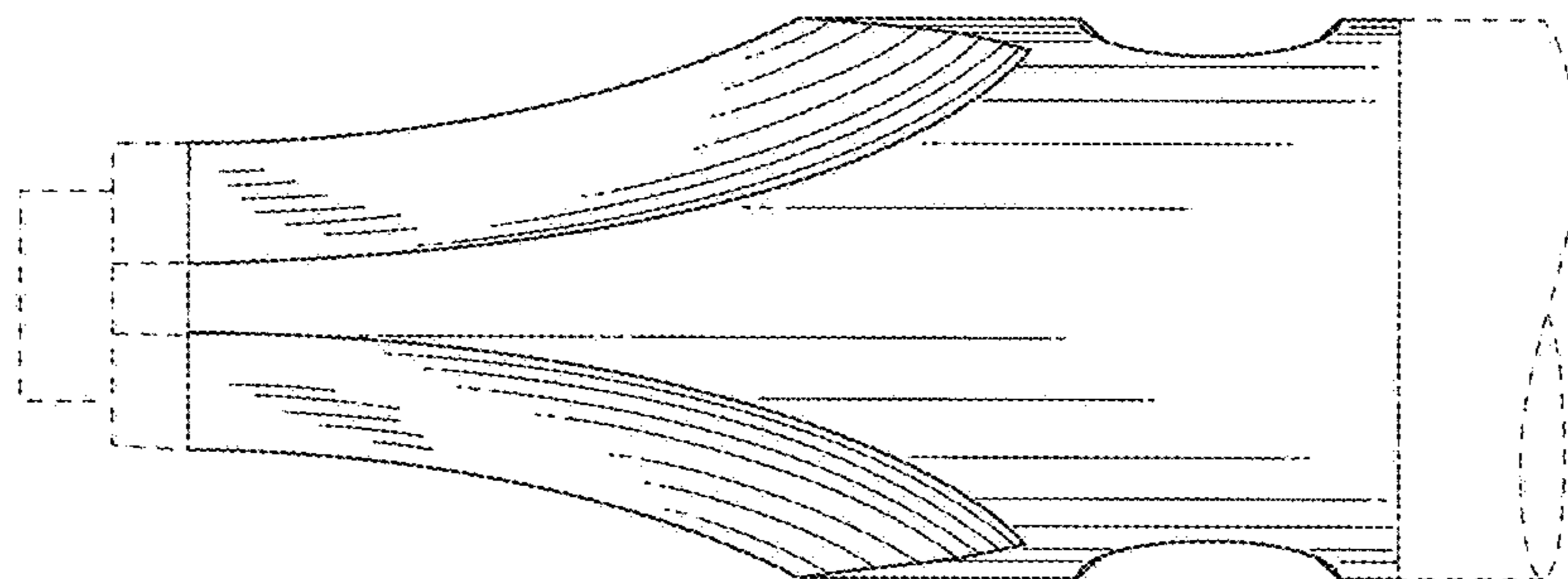


FIG. 4

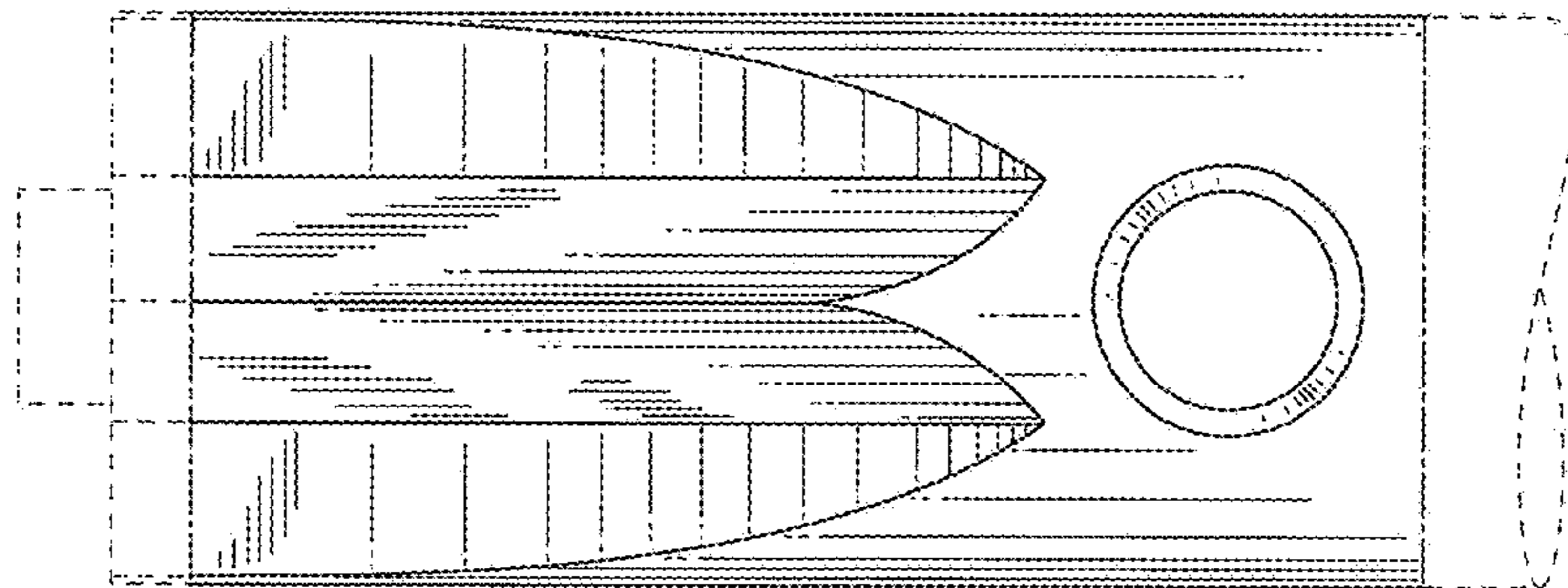


FIG. 5