



US00D803022S

(12) **United States Design Patent** (10) **Patent No.:** **US D803,022 S**
Daly (45) **Date of Patent:** **** Nov. 21, 2017**

(54) **TOOL BIT HOLDER**
(71) Applicant: **Chad M. Daly**, Ewing, NJ (US)
(72) Inventor: **Chad M. Daly**, Ewing, NJ (US)
(**) Term: **15 Years**
(21) Appl. No.: **29/549,946**
(22) Filed: **Dec. 29, 2015**
(51) **LOC (10) Cl.** **08-05**
(52) **U.S. Cl.**
USPC **D8/71**
(58) **Field of Classification Search**
USPC D8/71; D15/138, 139, 140; 407/85, 101,
407/104, 112, 113, 114, 117
CPC . B65G 21/2072; B23B 27/08; B23B 27/1614;
B23B 27/1625; F16M 11/242; F16M
11/28; F16M 11/36; F16M 11/42
See application file for complete search history.

6,824,333 B1 * 11/2004 King B23B 27/00
407/101
7,011,476 B1 * 3/2006 King B23B 27/04
407/101
D558,802 S * 1/2008 Nicholas D15/140
8,616,809 B2 12/2013 Farrell
2010/0202844 A1 8/2010 Chang
2013/0287506 A1 * 10/2013 Morgulis B23B 27/065
407/103

OTHER PUBLICATIONS

Indexable Insert Tool Bit Sets. Product Listing [online], Interstate, 2014 [retrieved on Sep. 1, 2015]. Retrieved from the Internet: <http://www.use-enco.com/1/1/3639-ar-al-br-bl-e-indexable-insert-tool-bit-sets-250-1400.html>.

* cited by examiner

Primary Examiner — Caron D Veynar
Assistant Examiner — Maria Edwards
(74) *Attorney, Agent, or Firm* — Robert C. Montgomery;
Montgomery Patent & Design LP

(56) **References Cited**

U.S. PATENT DOCUMENTS

3,299,489 A 1/1967 Pohle
3,310,859 A 3/1967 Diamond et al.
3,491,421 A 1/1970 Holloway
3,514,826 A * 6/1970 Dawkins B23B 27/08
407/104
3,534,457 A * 10/1970 Mueller B23B 27/04
407/101
3,672,016 A 6/1972 Melinder
3,686,729 A * 8/1972 Cochran B23B 27/04
407/101
4,137,000 A * 1/1979 Takacs B23B 27/007
407/101
4,509,886 A * 4/1985 Lindsay B23B 27/04
407/102
4,722,642 A 2/1988 Musacchia, Jr.
5,112,164 A * 5/1992 Pano B23B 27/04
407/110
D370,019 S * 5/1996 Stewart D15/140

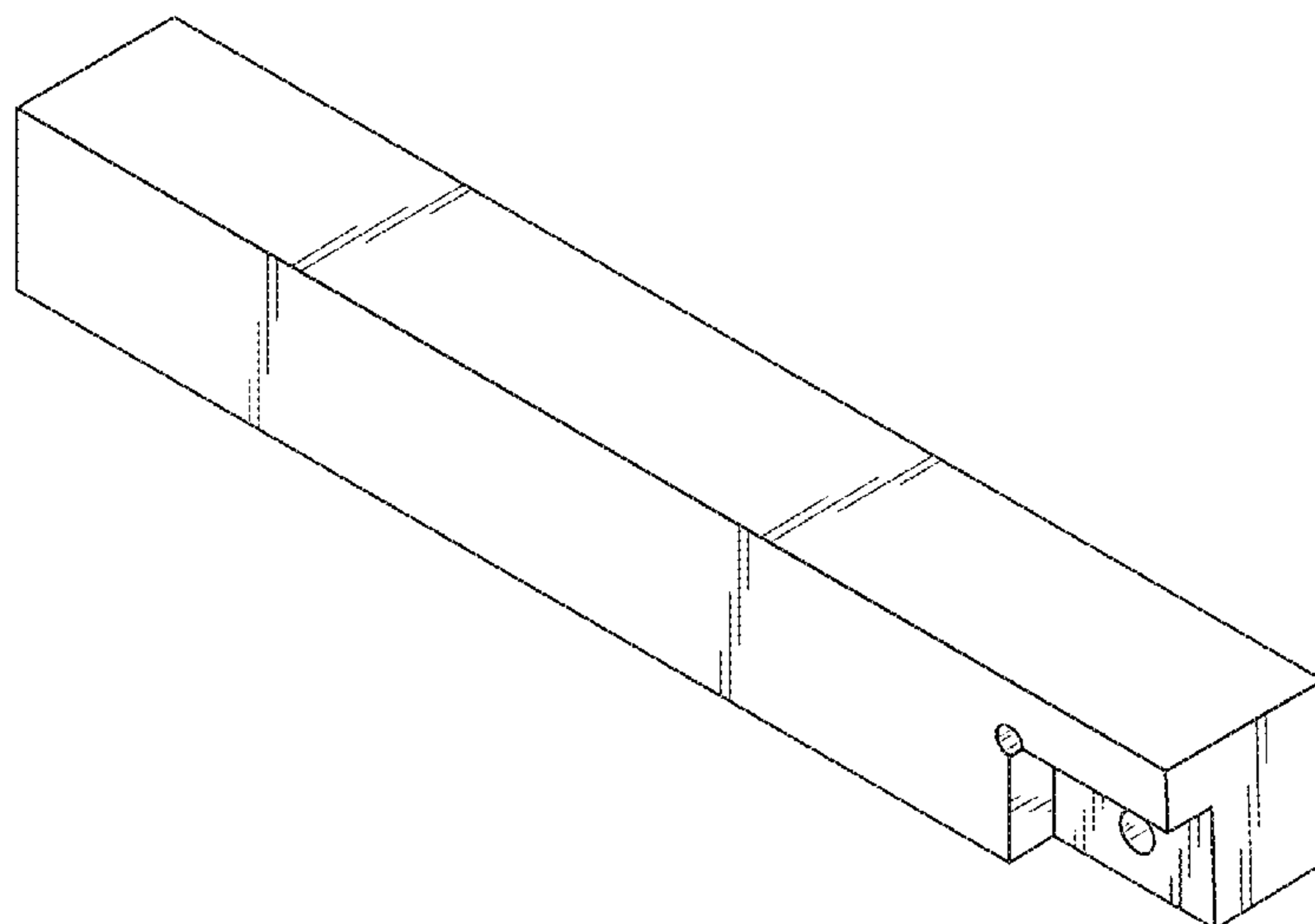
(57) **CLAIM**

The ornamental design for a tool bit holder, as shown and described.

DESCRIPTION

FIG. 1 is a top right front perspective view of the tool bit holder, showing my new design;
FIG. 2 is a front view thereof;
FIG. 3 is a rear view thereof;
FIG. 4 is an enlarged right side view thereof;
FIG. 5 is an enlarged left view thereof;
FIG. 6 is a top plan view thereof; and,
FIG. 7 is a bottom plan view thereof.

1 Claim, 7 Drawing Sheets



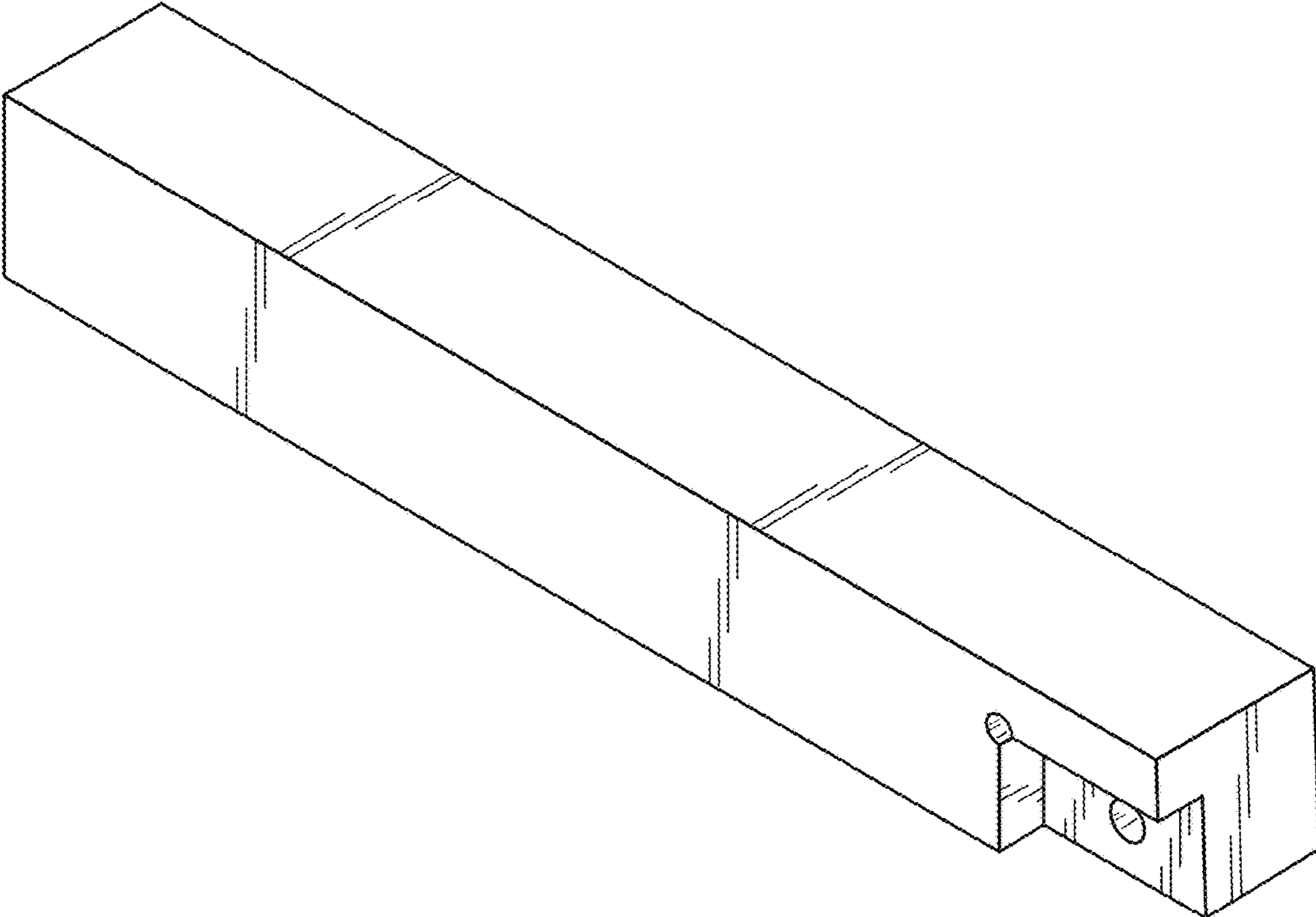


Fig. 1

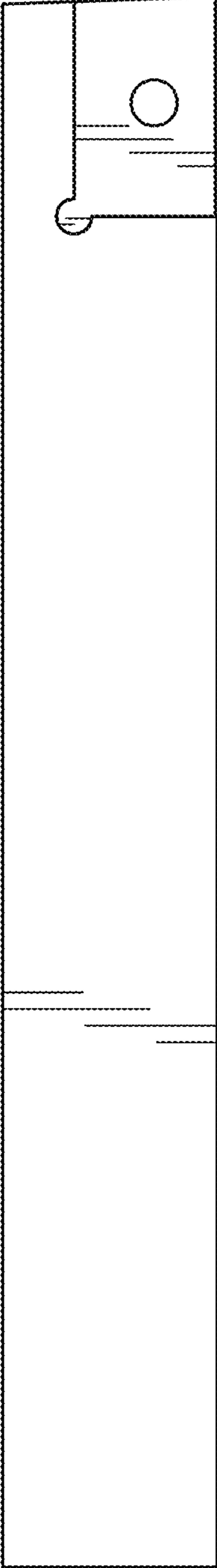


Fig. 2

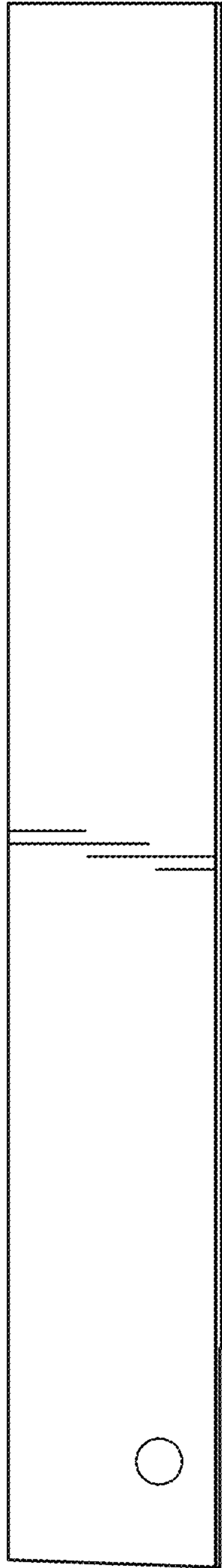


Fig. 3

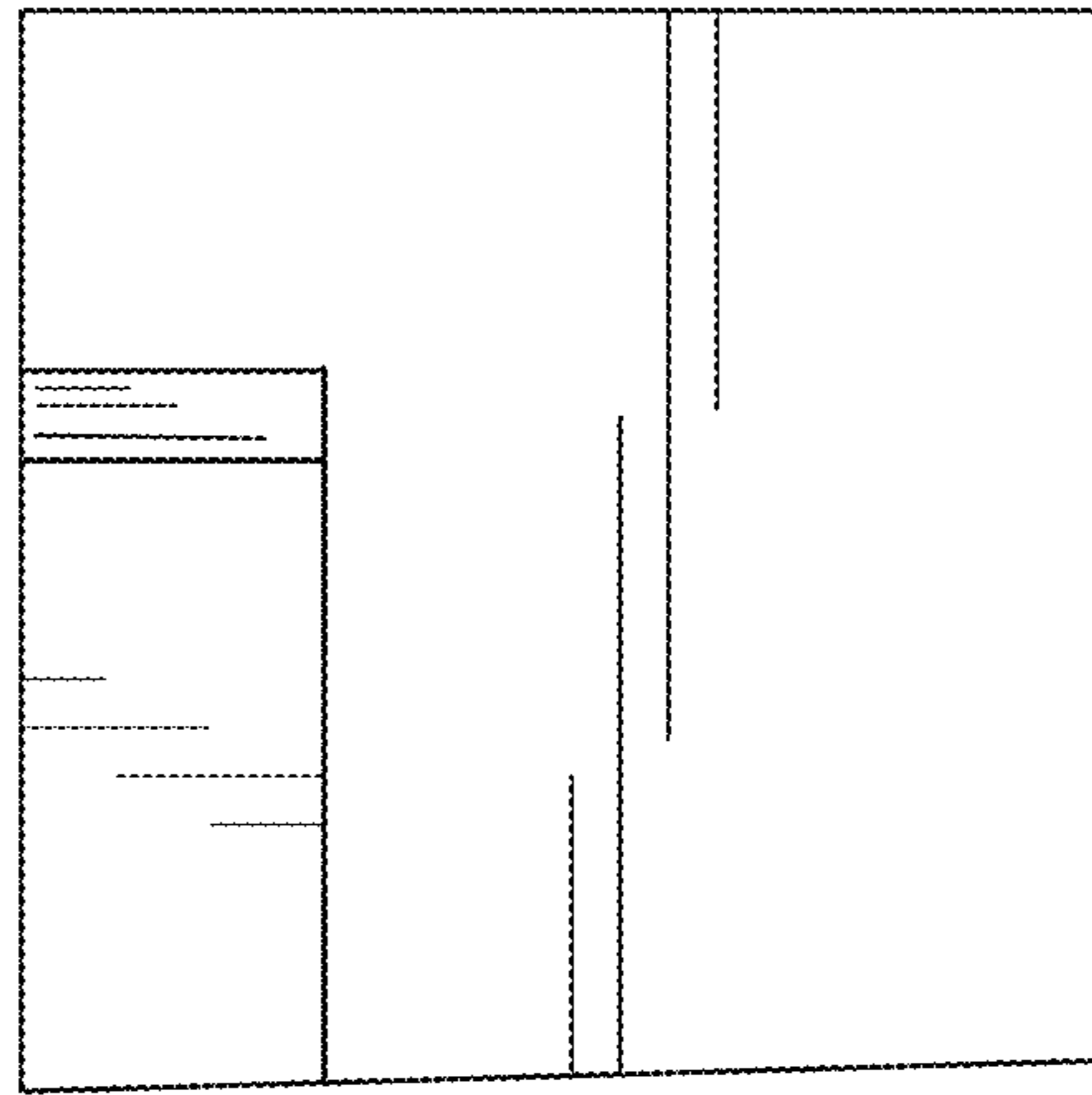


Fig. 4

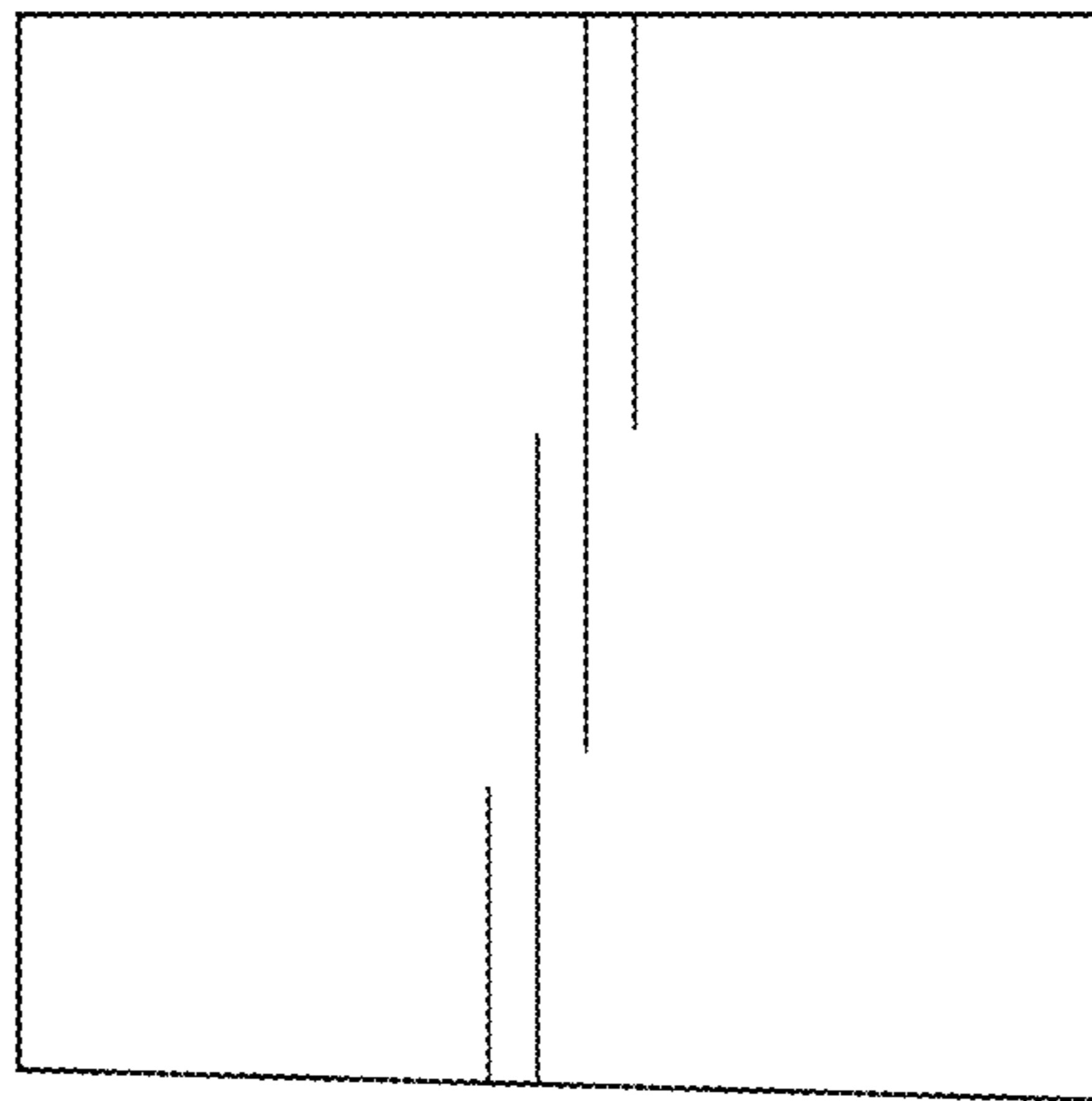


Fig. 5

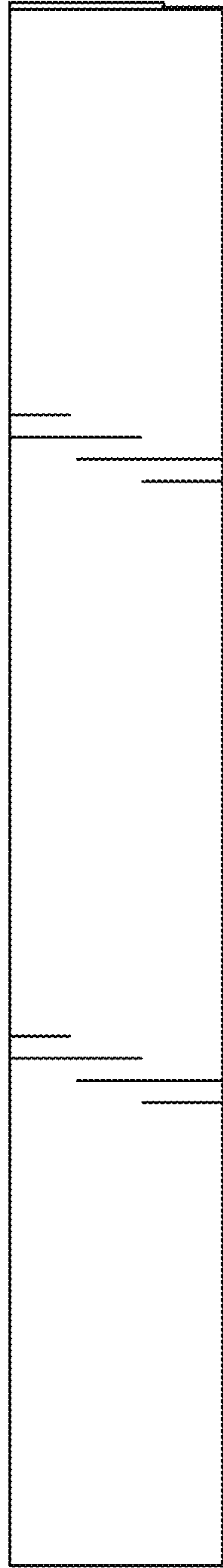


Fig. 6

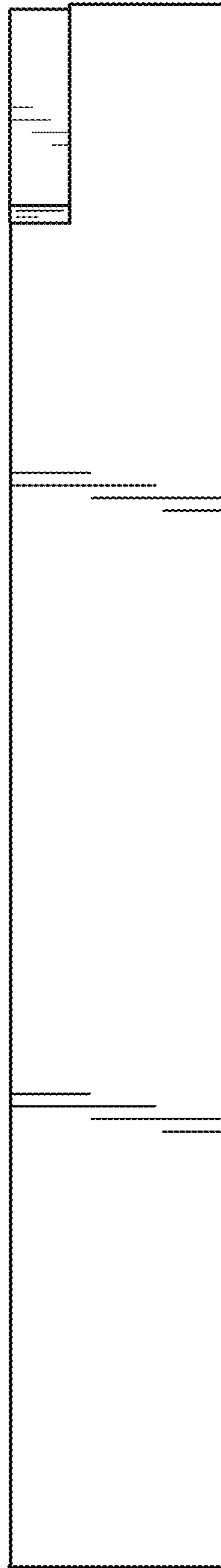


Fig. 7