



US00D803020S

(12) **United States Design Patent** (10) **Patent No.:** **US D803,020 S**  
**Cheng et al.** (45) **Date of Patent:** **\*\* Nov. 21, 2017**

(54) **WRENCH**

(56) **References Cited**

(71) Applicants: **Carson Cheng**, City of Industry, CA (US); **Richard Thomas**, City of Industry, CA (US); **Jason Michael Cheng**, City of Industry, CA (US)

U.S. PATENT DOCUMENTS

D619,435 S *	7/2010	Navas .....	D8/27
D703,502 S *	4/2014	Cheng .....	D8/21
D724,398 S *	3/2015	Streets .....	D8/17
D725,451 S *	3/2015	Mayberry .....	D8/21
D728,333 S *	5/2015	Sui .....	D8/17
D742,706 S *	11/2015	Sui .....	D8/17
2015/0290780 A1 *	10/2015	Bennett .....	B25B 13/50 81/121.1

(72) Inventors: **Carson Cheng**, City of Industry, CA (US); **Richard Thomas**, City of Industry, CA (US); **Jason Michael Cheng**, City of Industry, CA (US)

\* cited by examiner

(73) Assignee: **NeSTAR, Inc.**, City of Industry, CA (US)

*Primary Examiner* — Randall Gholson

(\*\*) Term: **15 Years**

(74) *Attorney, Agent, or Firm* — Raymond Y. Chan; David and Raymond Patent Firm

(21) Appl. No.: **29/581,701**

(57) **CLAIM**

The ornamental design for a wrench, as shown and described.

(22) Filed: **Oct. 20, 2016**

**DESCRIPTION**

(51) **LOC (10) Cl.** ..... **08-05**

FIG. 1 is a top perspective view of the wrench of our new design;

(52) **U.S. Cl.**

FIG. 2 is a front view thereof;

USPC ..... **D8/21**

FIG. 3 is a rear view thereof;

(58) **Field of Classification Search**

USPC ..... D8/17, 21-29; 81/60, 177.1, 177.85, 81/121.1, 124.3, 165-170, 110.1, 176.2, 81/124.6, 176.1, 176.15, 177.2; 16/110.1; D15/144.1; 219/75, 227, 229, 121.16, 219/121.18

FIG. 4 is a left view thereof;

FIG. 5 is a right view thereof;

FIG. 6 is a top view thereof;

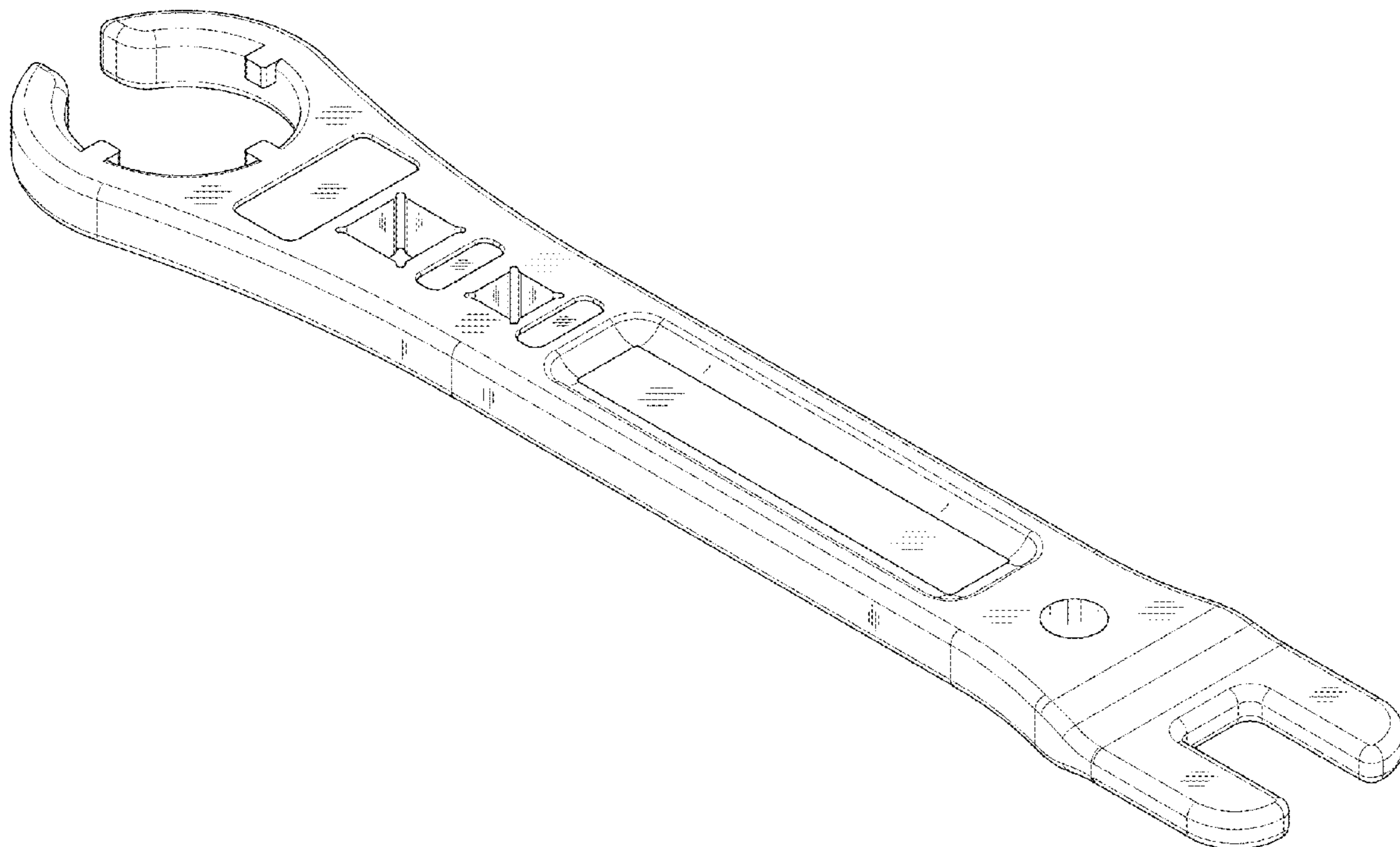
FIG. 7 is a bottom view thereof; and,

FIG. 8 is a bottom perspective view thereof.

CPC ..... B25B 13/00

See application file for complete search history.

**1 Claim, 7 Drawing Sheets**



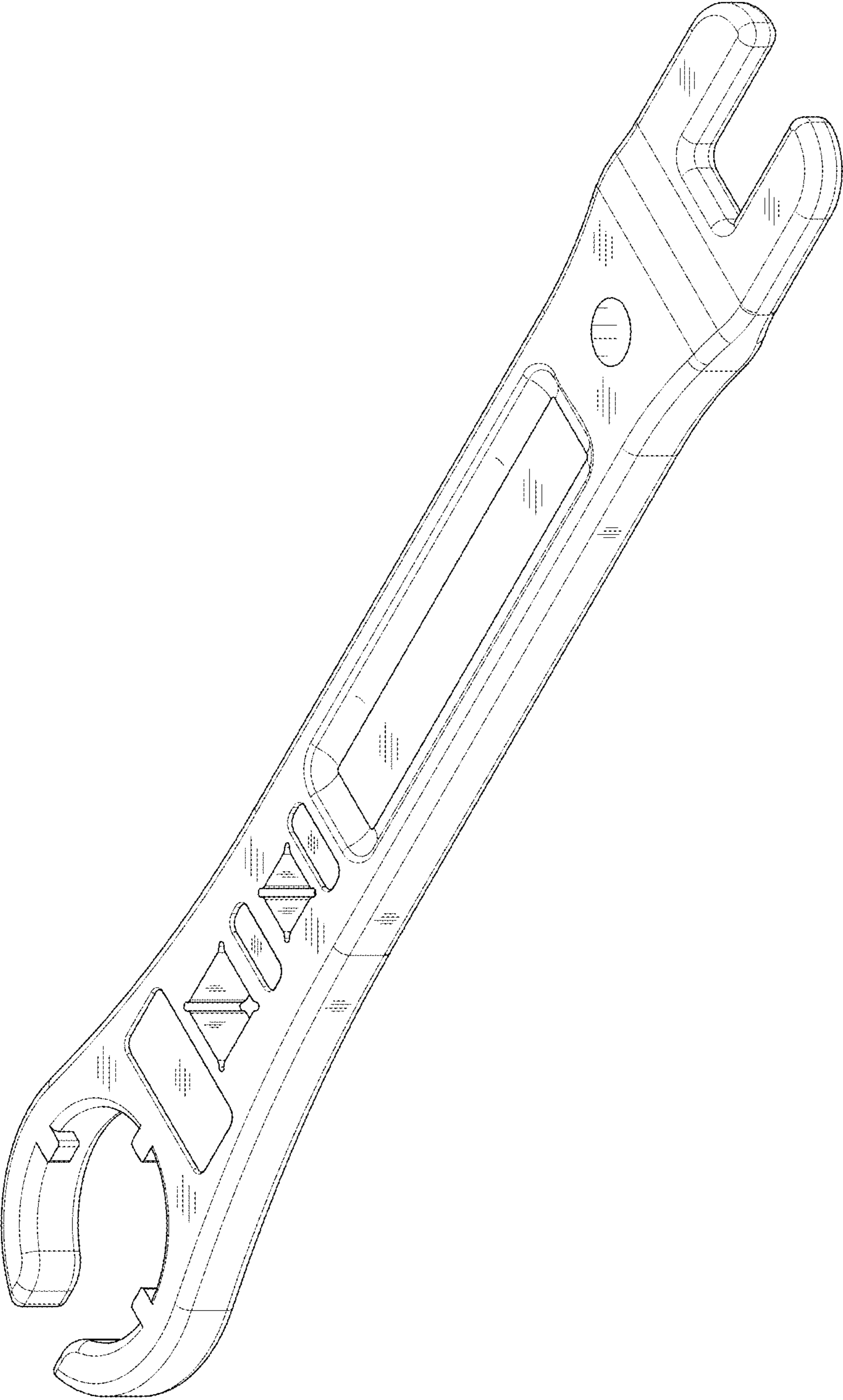


FIG.1

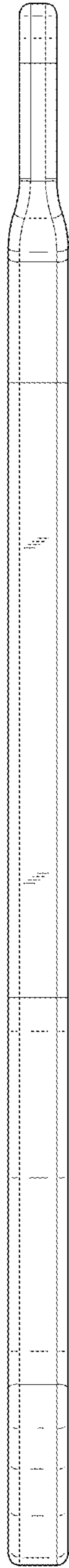


FIG.2

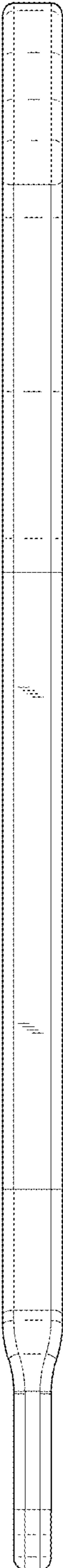


FIG.3

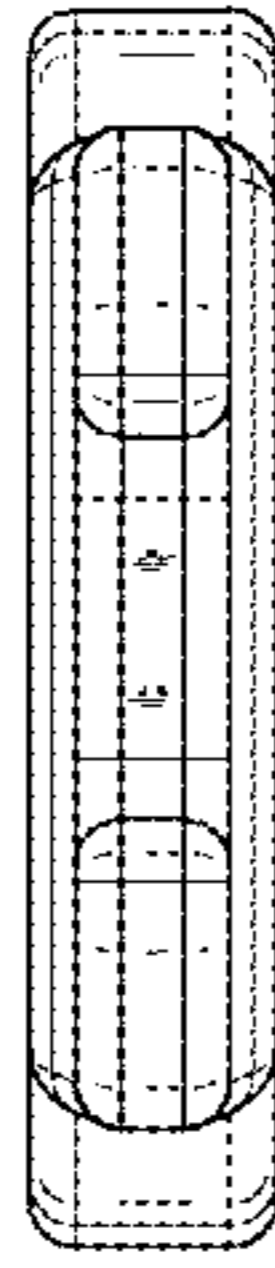


FIG.5

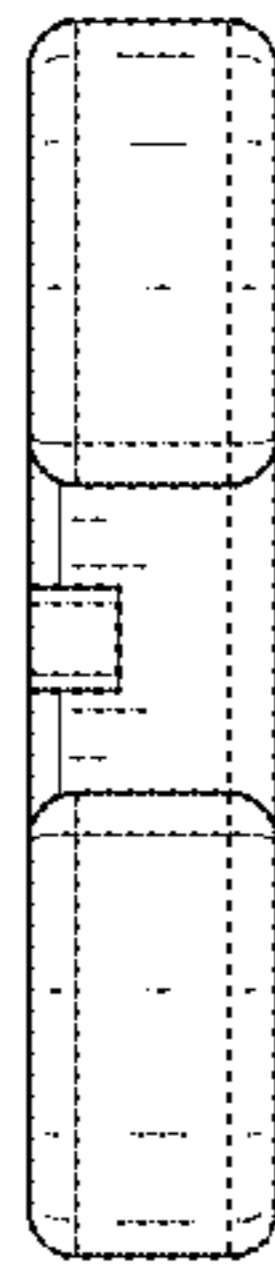


FIG.4

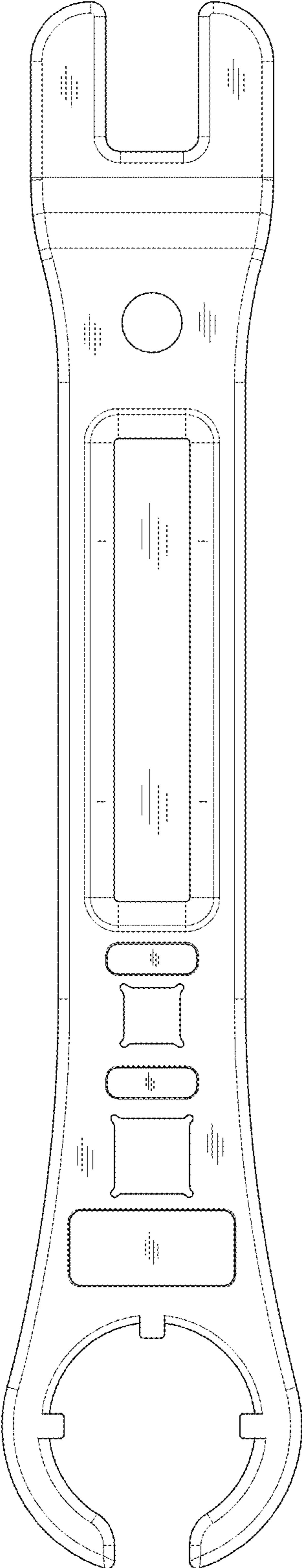


FIG.6

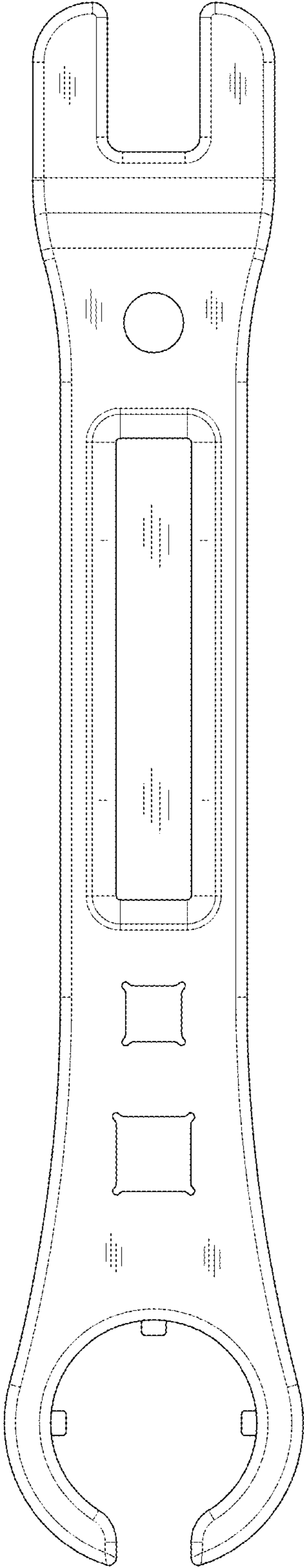


FIG.7

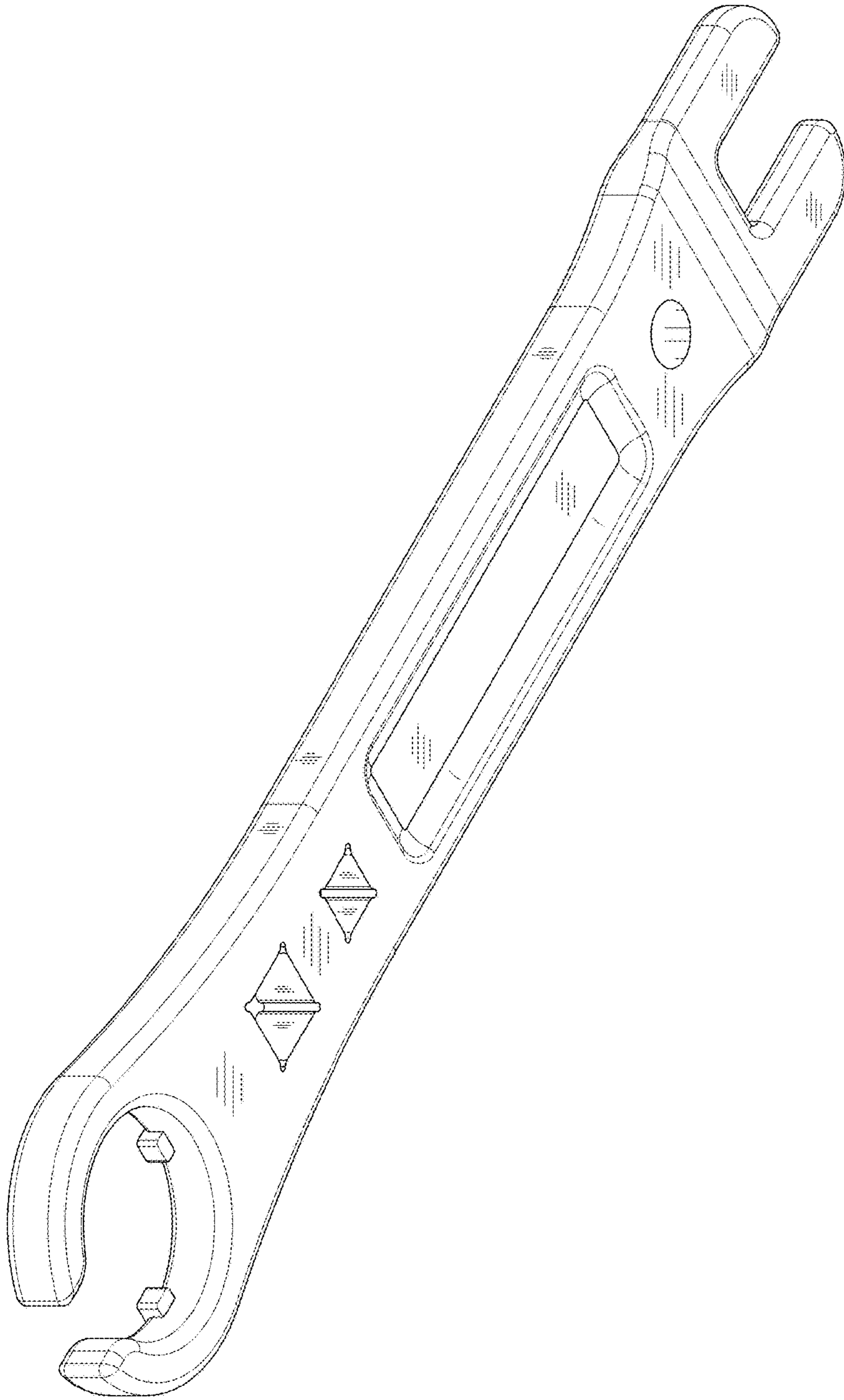


FIG. 8