



US00D803019S

(12) **United States Design Patent**
Ploeger

(10) **Patent No.:** **US D803,019 S**

(45) **Date of Patent:** **** Nov. 21, 2017**

- (54) **DRILL TEMPLATE**
- (71) Applicant: **Lisle Corporation**, Clarinda, IA (US)
- (72) Inventor: **Randall J. Ploeger**, Clarinda, IA (US)
- (73) Assignee: **Lisle Corporation**, Clarinda, IA (US)
- (**) Term: **15 Years**
- (21) Appl. No.: **29/578,146**
- (22) Filed: **Sep. 19, 2016**
- (51) **LOC (10) Cl.** **08-05**
- (52) **U.S. Cl.**
USPC **D8/19**
- (58) **Field of Classification Search**
USPC ... D8/16, 18, 19, 33, 34, 40, 45, 47, 90, 93,
D8/366, 371, 207, 208, 210; D3/207,
D3/208, 210; D12/223
CPC . Y10T 408/567; Y10T 408/97; Y10T 408/08;
Y10T 408/568; Y10T 408/56245; Y10T
408/98; Y10T 409/303696; B23B 47/287
See application file for complete search history.

- 5,762,115 A * 6/1998 Shouse B27F 5/12
144/144.51
- D463,353 S * 9/2002 McCoy D12/223
- D712,816 S * 9/2014 Maholick D12/223
- D735,632 S * 8/2015 Beidler D12/223
- D756,178 S * 5/2016 Kelleghan D2/639
- D772,678 S * 11/2016 Haarburger D8/105

* cited by examiner

Primary Examiner — Robert M Spear

Assistant Examiner — Eliza Bennett-Hattan

(74) *Attorney, Agent, or Firm* — Banner & Witcoff, Ltd.

(57) **CLAIM**

The ornamental design for a drill template, as shown and described.

DESCRIPTION

FIG. 1 is a top, front, right perspective view of a drill template showing my new design;
 FIG. 2 is a front view thereof;
 FIG. 3 is a rear view thereof;
 FIG. 4 is a left side view thereof;
 FIG. 5 is a right side view thereof;
 FIG. 6 is a top view thereof; and,
 FIG. 7 is a bottom view thereof.

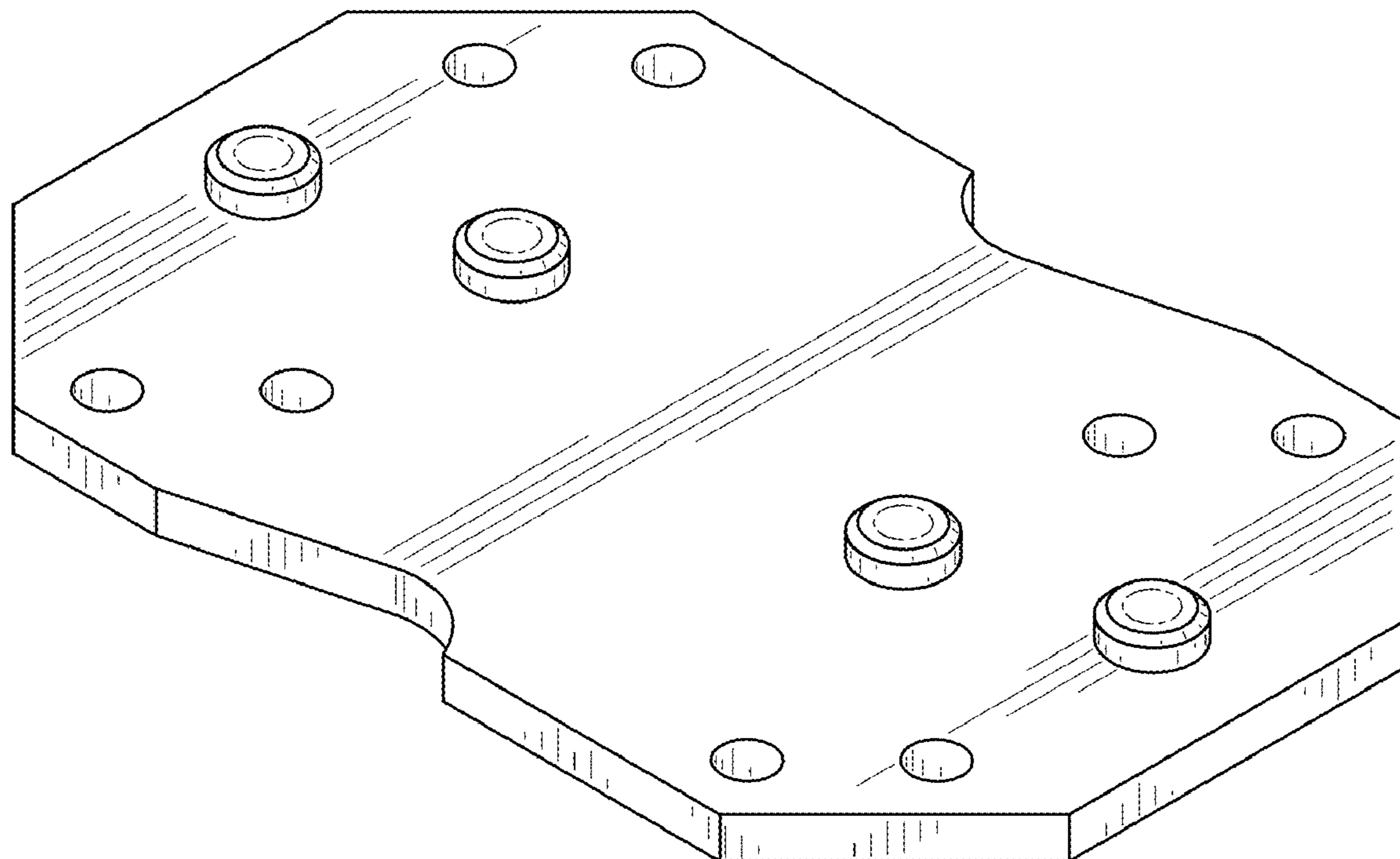
The broken lines immediately adjacent to the shaded area represent unclaimed boundaries of the design.

1 Claim, 3 Drawing Sheets

(56) **References Cited**

U.S. PATENT DOCUMENTS

- 1,899,203 A * 2/1933 Labreche A44C 15/00
7/151
- 2,451,123 A * 10/1948 Schultz B23B 47/28
33/563



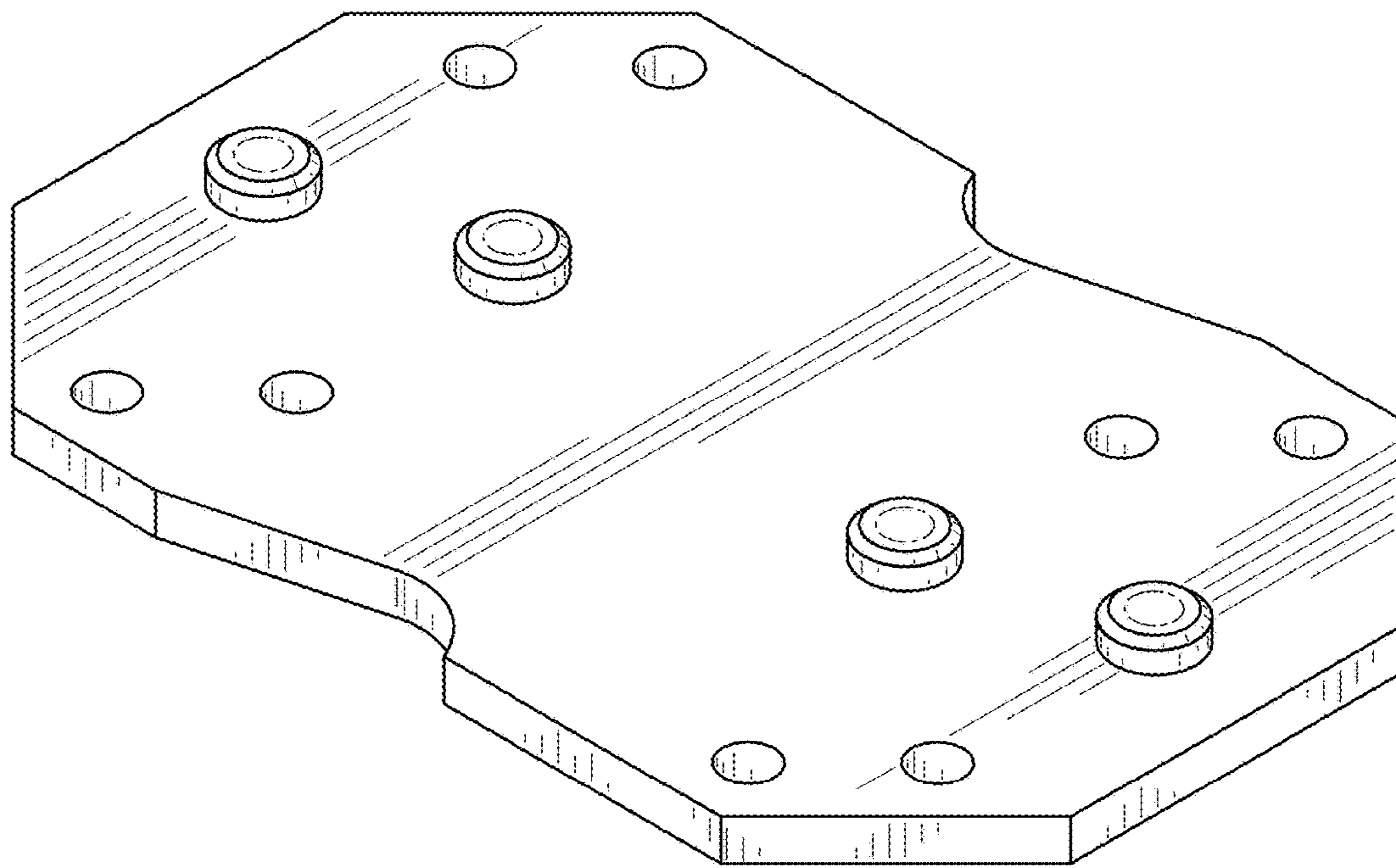


FIG. 1

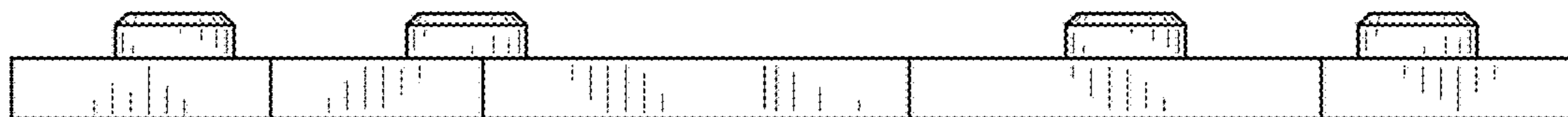


FIG. 2

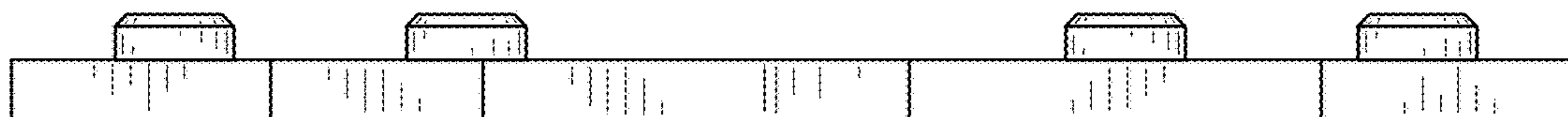


FIG. 3

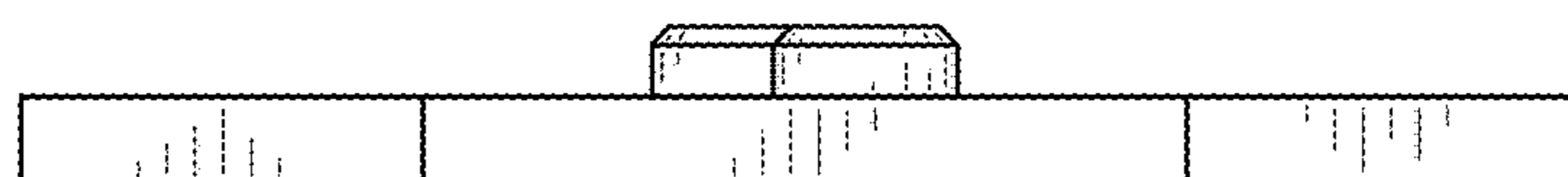


FIG. 4

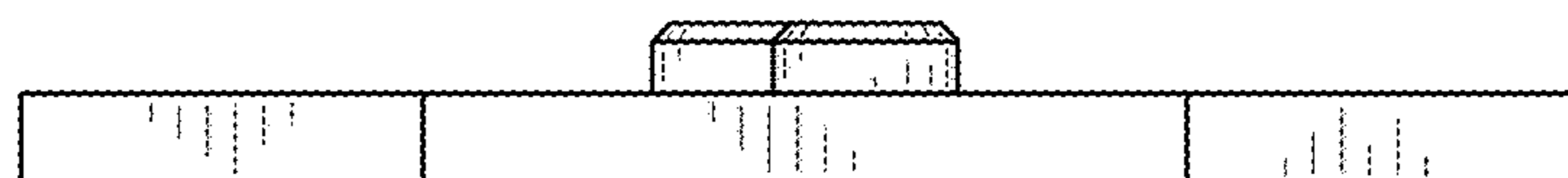


FIG. 5

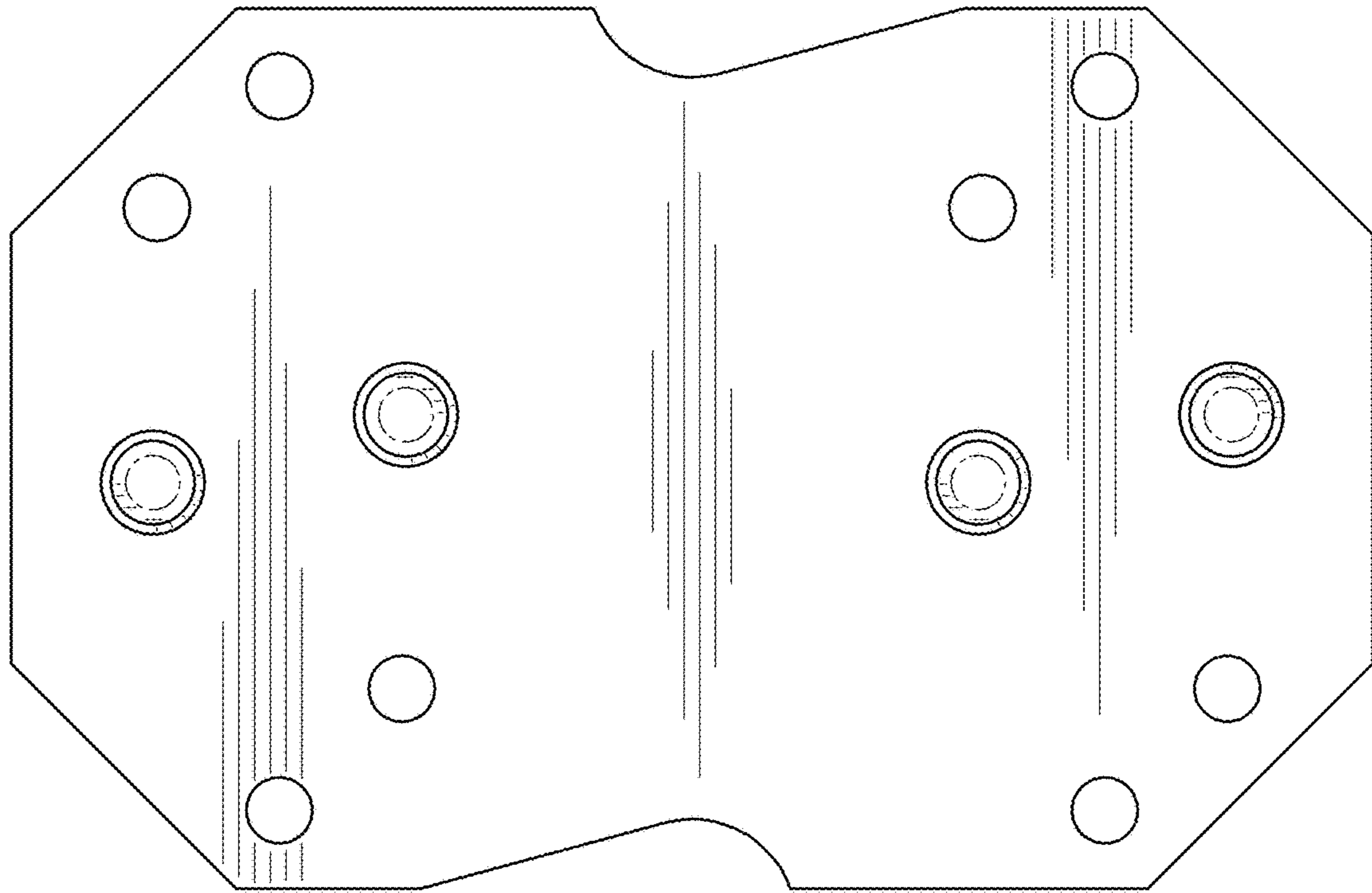


FIG. 6

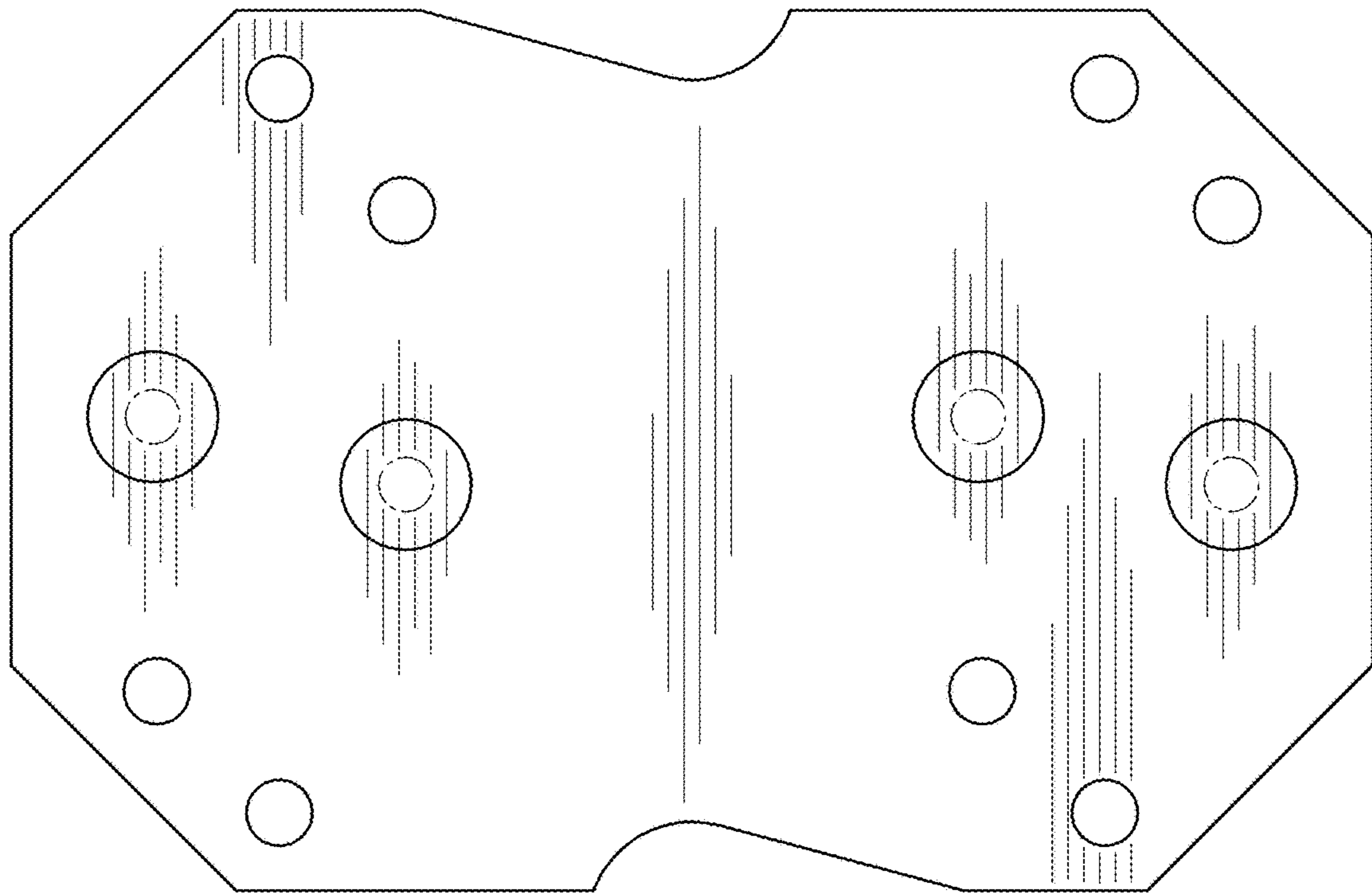


FIG. 7