



US00D803017S

(12) **United States Design Patent**
Lais et al.

(10) **Patent No.:** **US D803,017 S**
(45) **Date of Patent:** **** Nov. 21, 2017**

- (54) **PLANT TRAINING STAKE**
- (71) Applicant: **Plantra, Inc.**, Eagan, MN (US)
- (72) Inventors: **Joseph Ford Lais**, Saint Paul, MN (US); **Sara Lais Mandel**, Saint Paul, MN (US); **Stephen James Tillmann**, Atascadero, CA (US)
- (73) Assignee: **Plantra, Inc.**, Eagan, MN (US)

D230,218 S *	1/1974	Frelling	D21/840
3,788,336 A *	1/1974	Steffes	E04H 15/62
			135/118
D231,628 S *	5/1974	Bartels	D21/840
D240,362 S *	6/1976	Russo	D25/131
D240,754 S *	7/1976	Shroyer	D21/840
D245,032 S *	7/1977	Hoffmann	119/780
D248,919 S *	8/1978	Schmidt, Jr.	D8/1
D282,104 S *	1/1986	Taylor	D25/131
D285,409 S *	9/1986	Lemkin	D22/147
4,870,781 A *	10/1989	Jones	A01G 17/04
			248/27.8

(**) Term: **15 Years**

(Continued)

(21) Appl. No.: **29/530,714**

Primary Examiner — Sheryl Lane

(22) Filed: **Jun. 18, 2015**

(74) *Attorney, Agent, or Firm* — Christensen, Fonder, Dardi & Herbert PLLC; Stuart J. Olstad

Related U.S. Application Data

(63) Continuation of application No. 13/799,252, filed on Mar. 13, 2013, now abandoned.

(51) **LOC (10) Cl.** **08-01**

(52) **U.S. Cl.**
USPC **D8/1**

(58) **Field of Classification Search**
USPC D8/1, 388; D21/840; D26/138;
D25/131; D30/154; D20/22; D10/62
CPC A01G 17/04; A01G 29/00; A01G 25/02;
A01G 9/12; E04H 15/62; E04H 12/2215;
A45F 3/44; B05B 15/0443
See application file for complete search history.

(56) **References Cited**

U.S. PATENT DOCUMENTS

1,632,965 A *	6/1927	Hays	E04H 12/2215
			256/DIG. 5
2,015,433 A *	9/1935	Meyers	E04H 12/2215
			52/153
D161,913 S *	2/1951	Frain	111/82
D164,994 S *	10/1951	Johannesen	D21/840
D209,439 S *	11/1967	Diederich	D21/840

(57) **CLAIM**

We claim the ornamental design for a plant training stake, as shown and described.

DESCRIPTION

FIG. 1 is a top perspective view of a plant training stake according to the invention.

FIG. 2 is a front elevational view of the plant training stake depicted in FIG. 1.

FIG. 3 is a left side elevational view of the plant training stake depicted in FIG. 1.

FIG. 4 is a rear elevational view of the plant training stake depicted in FIG. 1.

FIG. 5 is a right side elevational view of the plant training stake depicted in FIG. 1.

FIG. 6 is a top plan view of the plant training stake depicted in FIG. 1.

FIG. 7 is a bottom plan view of the plant training stake depicted in FIG. 1; and,

FIG. 8 is a cross sectional view taken at line 8-8 of FIG. 1. The broken lines represent portions of the article and form no part of the claimed design.

1 Claim, 2 Drawing Sheets



(56)

References Cited

U.S. PATENT DOCUMENTS

D332,819 S * 1/1993 Crowe D21/840
 D349,434 S * 8/1994 Archambeau D8/1
 5,440,834 A * 8/1995 Kleinert A01G 9/12
 248/217.1
 D364,785 S * 12/1995 Archambeau D25/131
 D377,076 S * 12/1996 Adams D21/840
 D378,980 S * 4/1997 Thayer D21/840
 D379,416 S * 5/1997 Adams D21/840
 D380,569 S * 7/1997 Garber D21/840
 D380,947 S * 7/1997 Adams D21/840
 D407,281 S * 3/1999 Antel D8/1
 5,881,495 A * 3/1999 Clark A01G 9/12
 135/118
 D415,018 S * 10/1999 Uhler D21/840
 D419,403 S * 1/2000 Halil, Jr. D8/1
 D426,147 S * 6/2000 Nichols D8/391
 D436,218 S * 1/2001 Gary D26/138
 D437,750 S * 2/2001 Kinn D8/1
 D438,435 S * 3/2001 Whyte D8/1
 D447,025 S * 8/2001 Hughes D8/1
 6,336,599 B1 * 1/2002 Herr B05B 15/0443
 239/505

D457,039 S * 5/2002 Van Alstine D8/1
 D469,566 S * 1/2003 Gary D26/138
 D491,029 S * 6/2004 Atkins D8/1
 D492,976 S * 7/2004 Hsu D21/840
 D493,205 S * 7/2004 Combes D21/840
 D493,507 S * 7/2004 D'Astous D21/840
 6,938,384 B1 * 9/2005 Hodge E04H 15/62
 135/118
 D553,919 S * 10/2007 Gross D8/1
 D576,020 S * 9/2008 Arcati D8/1
 D577,966 S * 10/2008 Cosimo D8/1
 D602,990 S * 10/2009 Magera D20/22
 D617,472 S * 6/2010 Norton D25/131
 D619,433 S * 7/2010 Brodek D8/1
 D619,862 S * 7/2010 Brodek D8/1
 D629,678 S * 12/2010 Norton D25/133
 D631,308 S * 1/2011 Charette D8/1
 D644,908 S * 9/2011 Blanchard D8/107
 D658,259 S * 4/2012 Zhou D21/840
 D674,256 S * 1/2013 Charette D8/1
 D679,457 S * 4/2013 Chance D30/154
 D702,515 S * 4/2014 Garber D8/1
 D710,661 S * 8/2014 Lu D8/1
 D720,611 S * 1/2015 Hewitt D8/388
 D753,967 S * 4/2016 London D25/113

* cited by examiner

Fig. 1



Fig. 2

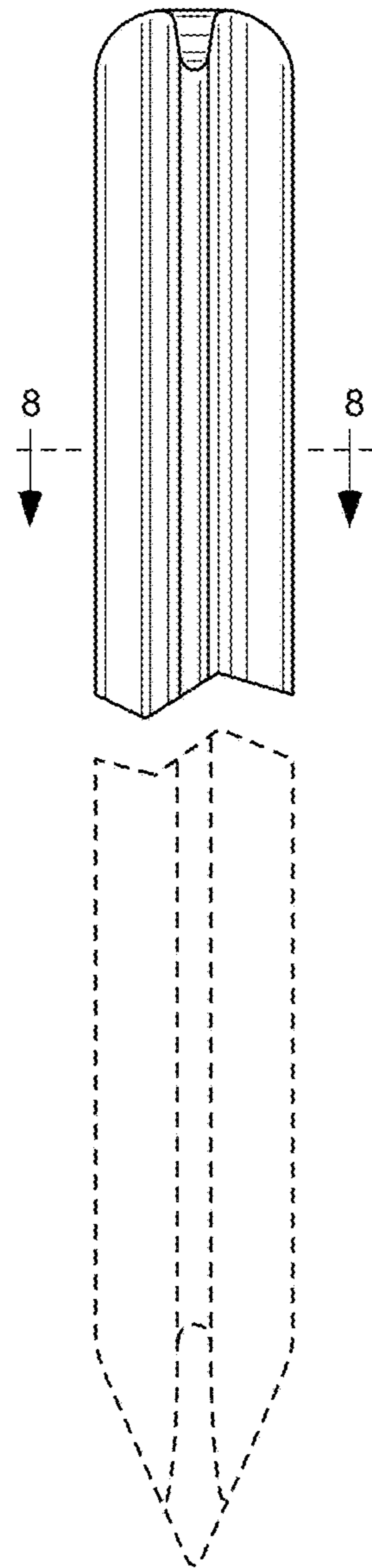


Fig. 3



Fig. 4

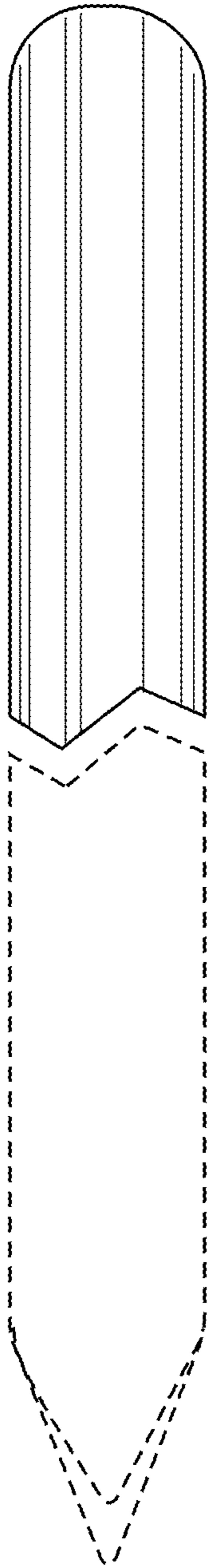


Fig. 5

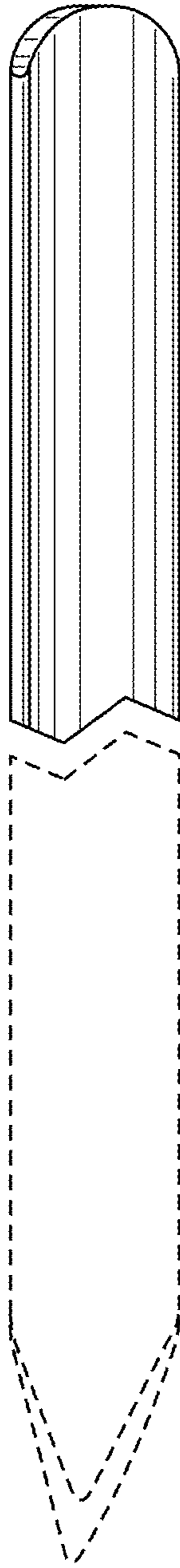


Fig. 6

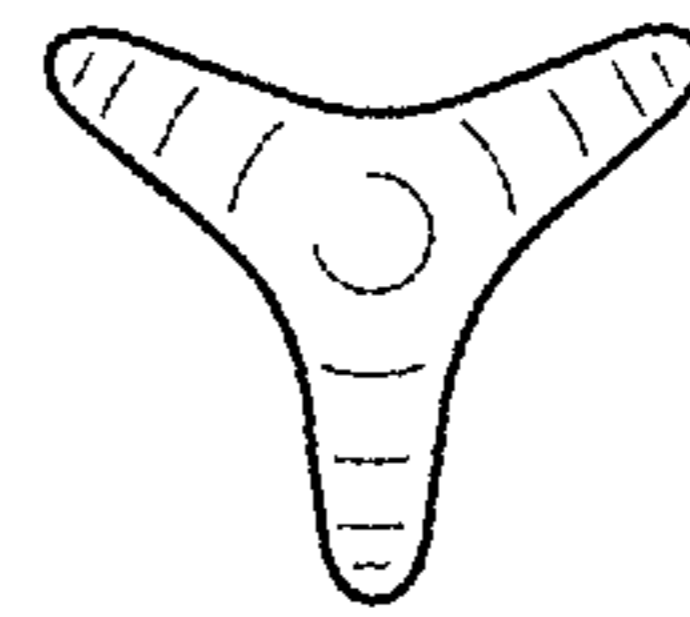


Fig. 7



Fig. 8

