



US00D803015S

(12) **United States Design Patent** (10) **Patent No.:** **US D803,015 S**
Farrell et al. (45) **Date of Patent:** **** Nov. 21, 2017**

(54) **FRUIT AND VEGETABLE BASKET**

(71) Applicants: **Heidi Serene Farrell**, Brooklyn, NY (US); **Francois de Martrin-Donos**, Brooklyn, NY (US)

(72) Inventors: **Heidi Serene Farrell**, Brooklyn, NY (US); **Francois de Martrin-Donos**, Brooklyn, NY (US)

(73) Assignee: **HELEN OF TROY LIMITED**, St. Michael (BB)

D582,161 S *	12/2008	Hardy	D3/306
D591,047 S *	4/2009	Elvin-Jensen	D3/304
D603,197 S *	11/2009	Hrovat	D3/304
D614,403 S *	4/2010	Byron	D3/304
D653,451 S *	2/2012	Elvin-Jensen	D3/304
D683,963 S *	6/2013	Tsai	D3/304
D692,666 S *	11/2013	Goodman	D3/304
D728,939 S *	5/2015	Suomela	D3/304
D766,675 S *	9/2016	Schlegel	D7/601
D775,830 S *	1/2017	Duvigneau	D3/304
D776,926 S *	1/2017	Duvigneau	D3/306
D787,275 S *	5/2017	Carlson	7/602
D789,089 S *	6/2017	Duvigneau	D3/306
D789,689 S *	6/2017	Goodman	D3/304

(**) Term: **15 Years**

(21) Appl. No.: **29/579,096**

(22) Filed: **Sep. 28, 2016**

(51) **LOC (10) Cl.** **07-04**

(52) **U.S. Cl.**
USPC **D7/667**; D7/601

(58) **Field of Classification Search**
USPC D3/304, 306, 307, 315; D6/512, 672, D6/680.2, 681; D7/601, 602, 608, 701, D7/704, 708; D9/434, 499; D32/55, 58, D32/65
CPC . B65D 1/22; A47J 43/286; A47J 43/28; A47J 36/20; A47J 36/22; A47J 43/24; A47J 47/10

See application file for complete search history.

(56) **References Cited**

U.S. PATENT DOCUMENTS

1,917,903 A *	7/1933	Sargent	B65D 25/24
				217/122
D326,552 S *	5/1992	Goodell	D3/312
D401,065 S *	11/1998	Peltola	D3/304
D425,275 S *	5/2000	Delouvre	D32/37
D446,392 S *	8/2001	Overholt	D3/304
D463,666 S *	10/2002	Williamson	D3/306
D569,619 S *	5/2008	Kent	D3/304

OTHER PUBLICATIONS

Webstaurant Store. Oct. 15, 2012. https://www.webstaurantstore.com/hoffmaster-bsk2151-seagrass-wicker-guest-towel-basket-holder/788BSK2151.html?utm_source=Google&utm_medium=cpc&utm_campaign=GoogleShopping&gclid=CjwKCAjwrO_MBRBxEiwAYJnDLJwLTGJ2VEjcVYDI2jKGI1MqQmGzoqL_9bbMfl04DNuepOHHw1wa-BoCCY4QAvD_BwE (Year: 2012).*

* cited by examiner

Primary Examiner — Robert M. Spear
Assistant Examiner — Darcey E Hefflin

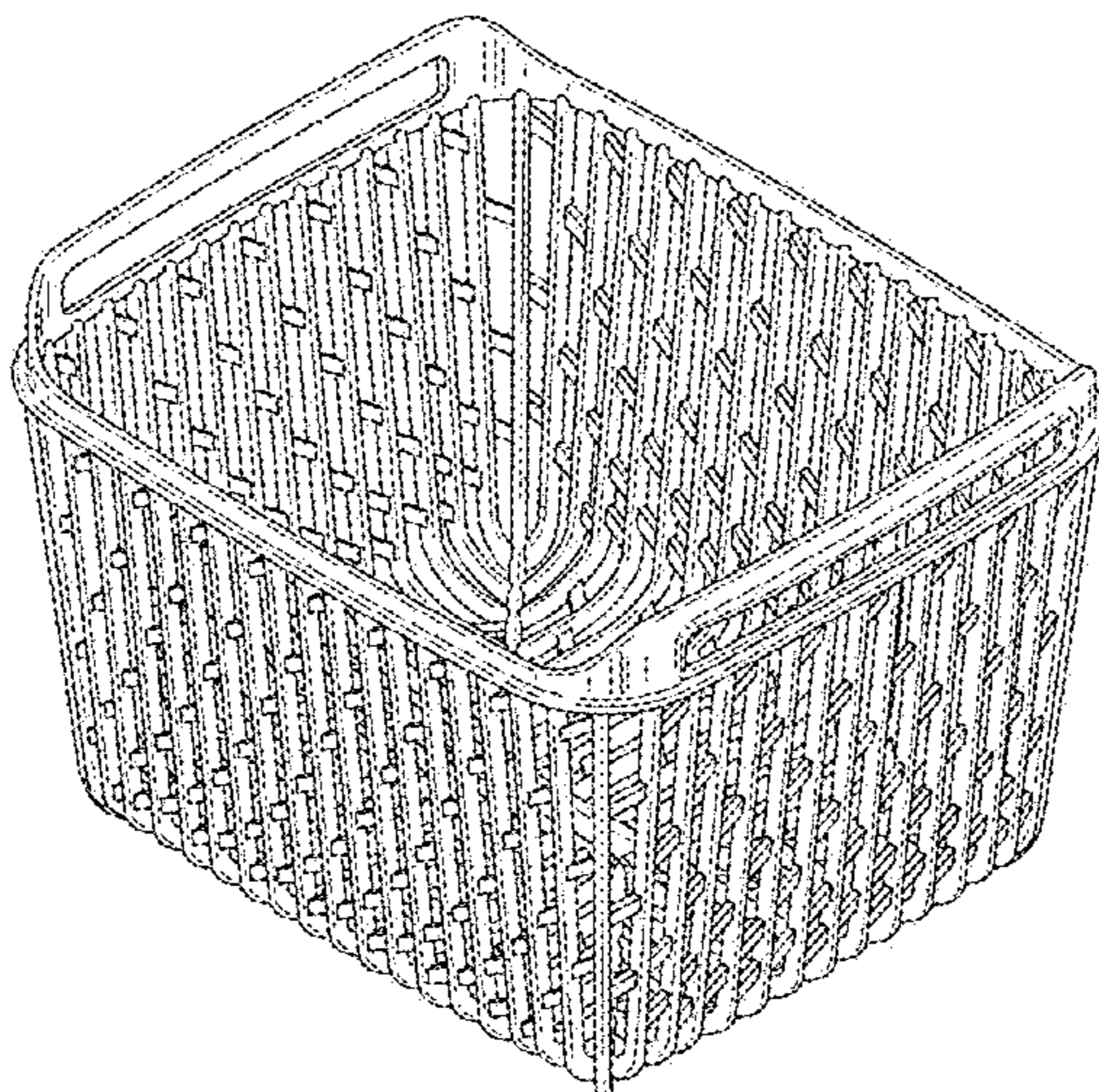
(57) **CLAIM**

The ornamental design for a fruit and vegetable basket, as shown, and described.

DESCRIPTION

FIG. 1 is a perspective view of the fruit and vegetable basket;
FIG. 2 is a front view of the fruit and vegetable basket;
FIG. 3 is a left side view of the fruit and vegetable basket;
FIG. 4 is a top view of the fruit and vegetable basket; and,
FIG. 5 is a bottom view of the fruit and vegetable basket.

1 Claim, 5 Drawing Sheets



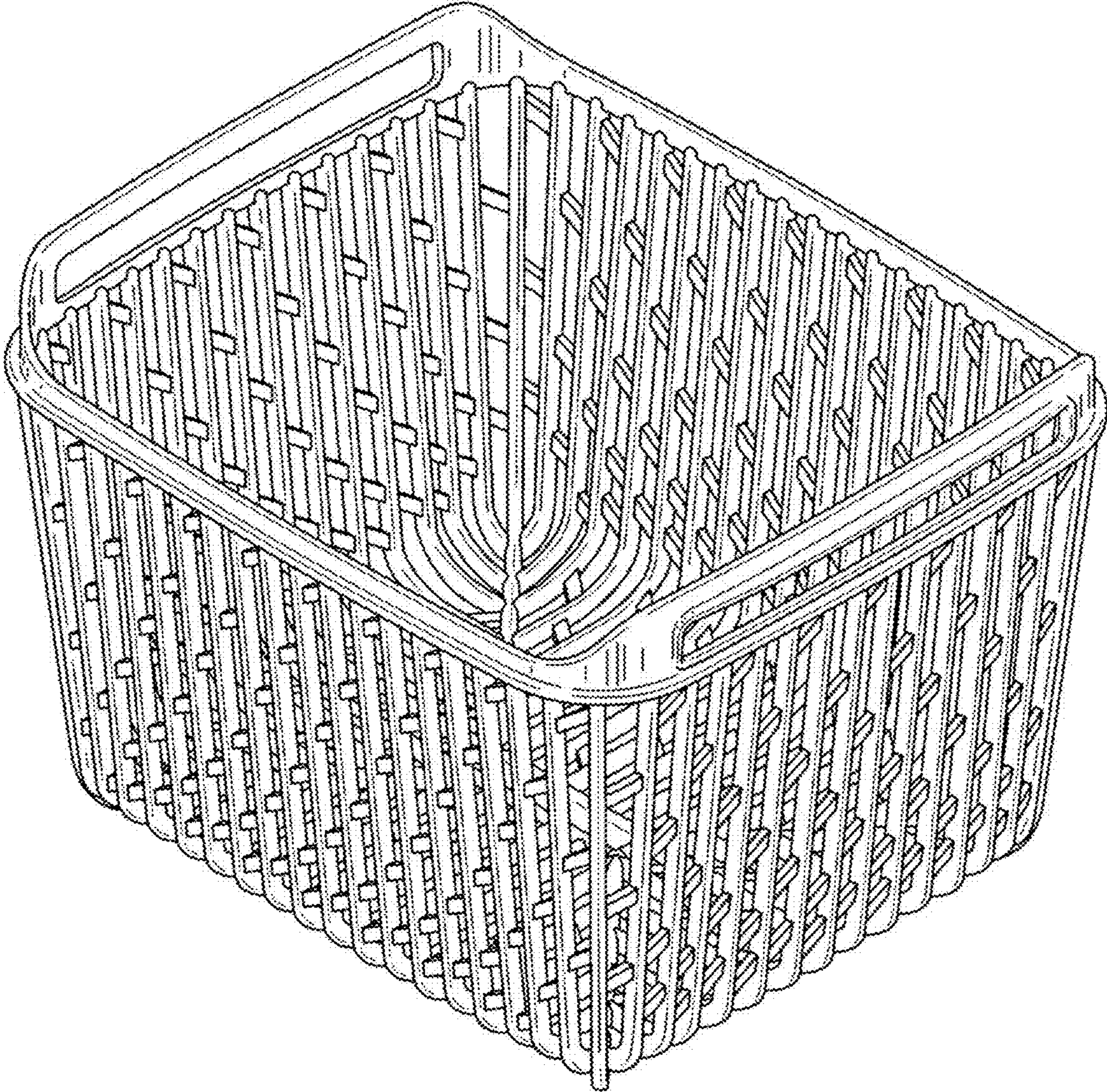


Figure 1

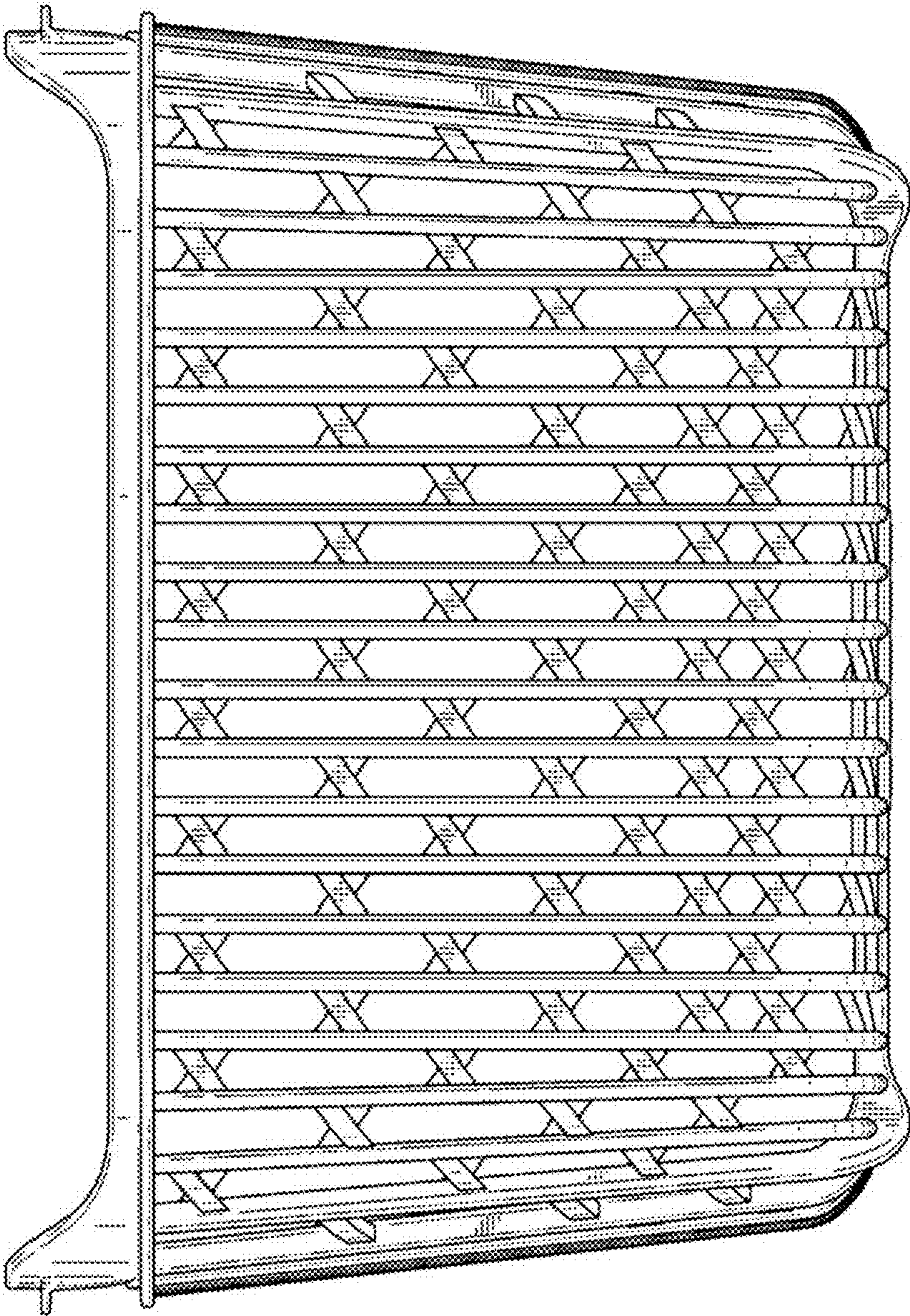


Figure 2

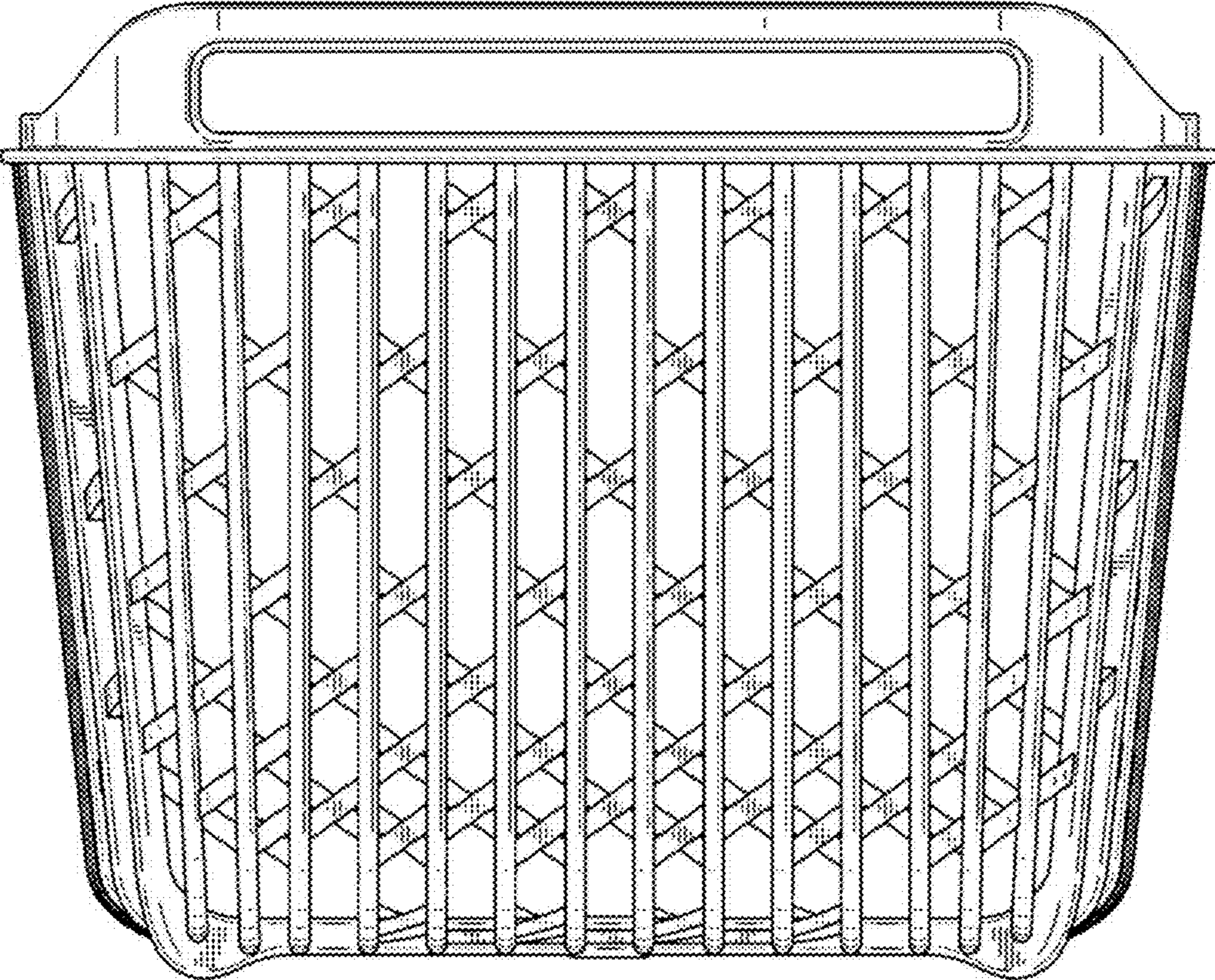


Figure 3

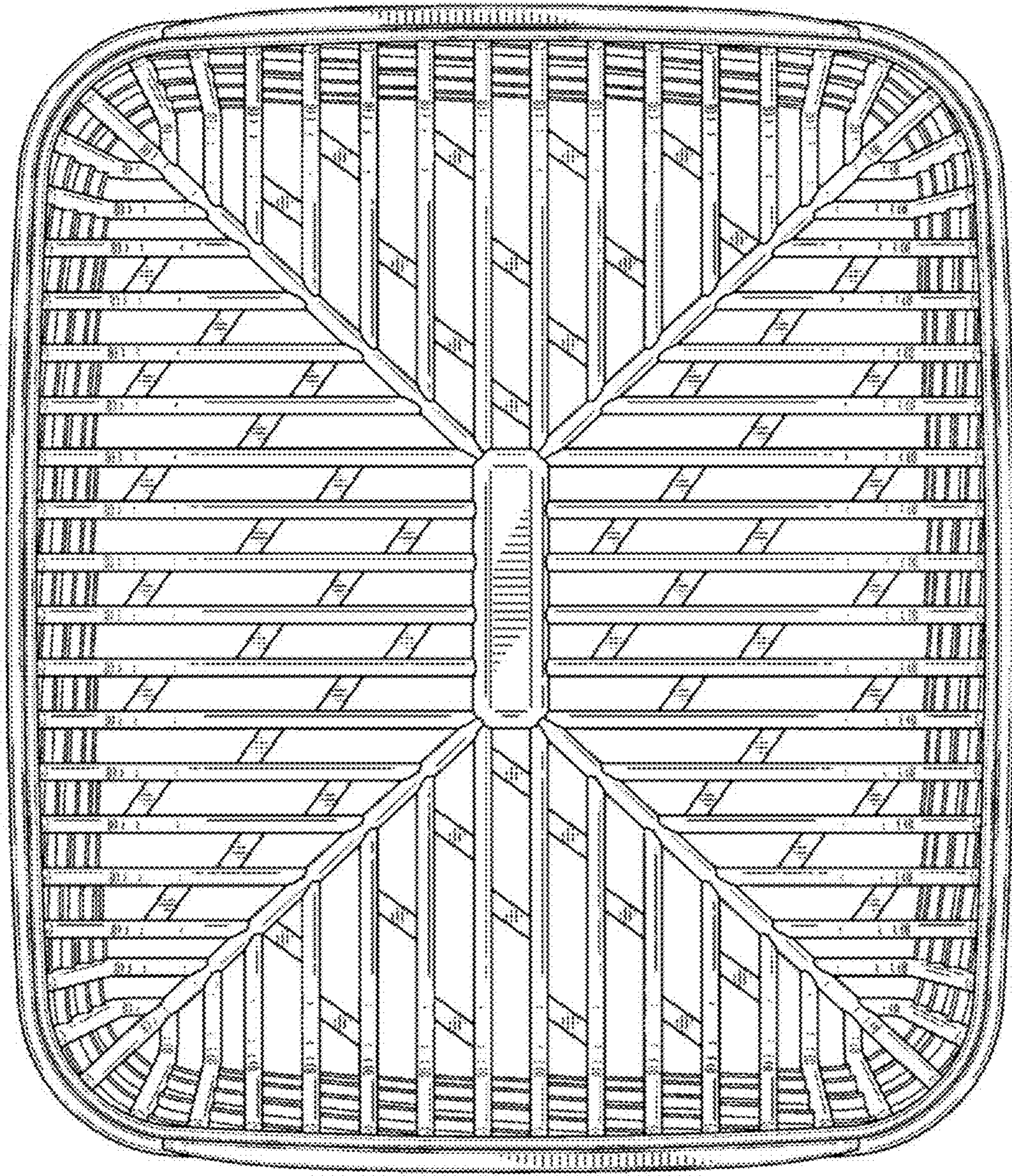


Figure 4

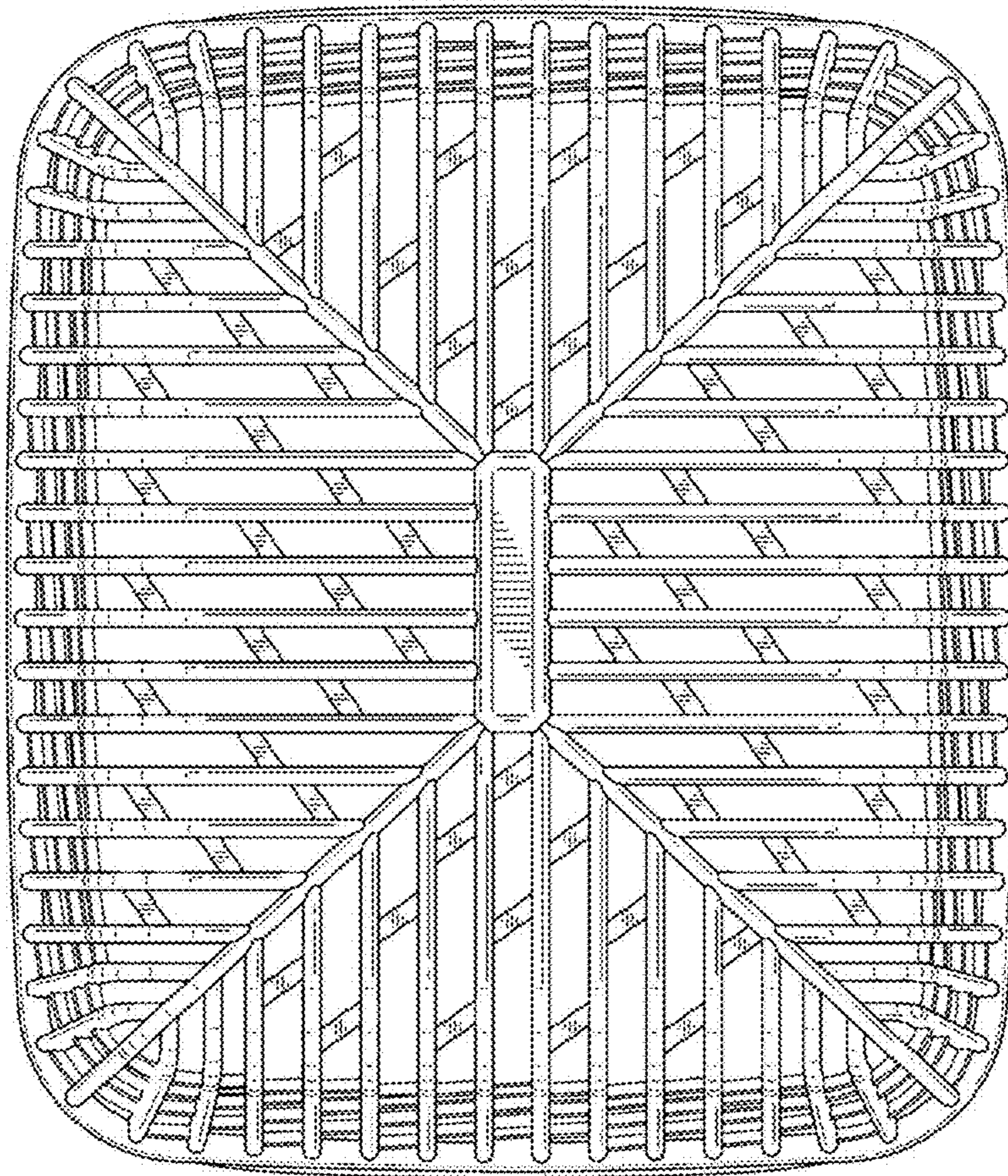


Figure 5