



US00D803014S

(12) **United States Design Patent** (10) **Patent No.:** **US D803,014 S**  
**Boehm** (45) **Date of Patent:** **\*\* Nov. 21, 2017**

- (54) **COCKTAIL STRAINER**
- (71) Applicant: **COCKTAIL KINGDOM LLC**, New York, NY (US)
- (72) Inventor: **Gregory Alfred Boehm**, New York, NY (US)
- (73) Assignee: **Cocktail Kingdom LLC**, New York, NY (US)
- (\*\*) Term: **15 Years**
- (21) Appl. No.: **29/546,343**
- (22) Filed: **Nov. 20, 2015**
- (51) **LOC (10) Cl.** ..... **07-04**
- (52) **U.S. Cl.**  
USPC ..... **D7/667**
- (58) **Field of Classification Search**  
USPC ..... D7/667, 668; 99/275; 222/189.06, 222/189.07; 210/464-475, 482, 495, 498, 210/499, 497.01; 100/110, 104  
CPC ..... E04D 13/076; B30B 9/02; A47J 43/27; A47J 43/286; A47J 43/284; A47J 31/02; A47J 43/281; B65D 47/148; B25F 1/04  
See application file for complete search history.

- (56) **References Cited**  
U.S. PATENT DOCUMENTS  
1,044,869 A \* 11/1912 Emmenegger ..... A47J 43/281  
210/470  
D497,524 S \* 10/2004 Marsden ..... D7/667  
D505,598 S \* 5/2005 Fiedeler ..... D7/667  
8,631,722 B1 \* 1/2014 Davis ..... B25F 1/04  
7/155  
D732,903 S 6/2015 Lee  
D732,904 S 6/2015 Lee  
D732,905 S 6/2015 Lee  
D733,506 S 7/2015 Lee  
D733,507 S 7/2015 Lee  
D733,508 S 7/2015 Lee  
D734,994 S \* 7/2015 Lee ..... D7/667

- D735,538 S \* 8/2015 Lee ..... D7/667
- 2012/0061398 A1 \* 3/2012 Nilsson ..... B65D 47/148  
220/568
- 2012/0147693 A1 \* 6/2012 Bahlenhorst ..... A47J 43/27  
366/130
- 2013/0160213 A1 \* 6/2013 Salles ..... B25F 1/04  
7/119

**OTHER PUBLICATIONS**

[www.bonzer.co.uk/hawthorne-strainer-epns-2ears/en](http://www.bonzer.co.uk/hawthorne-strainer-epns-2ears/en).

\* cited by examiner

*Primary Examiner* — Terry A Wallace

(74) *Attorney, Agent, or Firm* — Stroock & Stroock & Lavan, LLP; Jason M. Sobel

(57) **CLAIM**

The ornamental design for a cocktail strainer, as shown and described.

**DESCRIPTION**

FIG. 1 is a perspective view of the underside of a cocktail strainer, constructed in accordance with the present invention;

FIG. 2 is a second perspective view of the underside of a cocktail strainer of FIG. 1.

FIG. 3 is a perspective view of the topside of the cocktail strainer of FIG. 1;

FIG. 4 is an underside view of the cocktail strainer of FIG. 1;

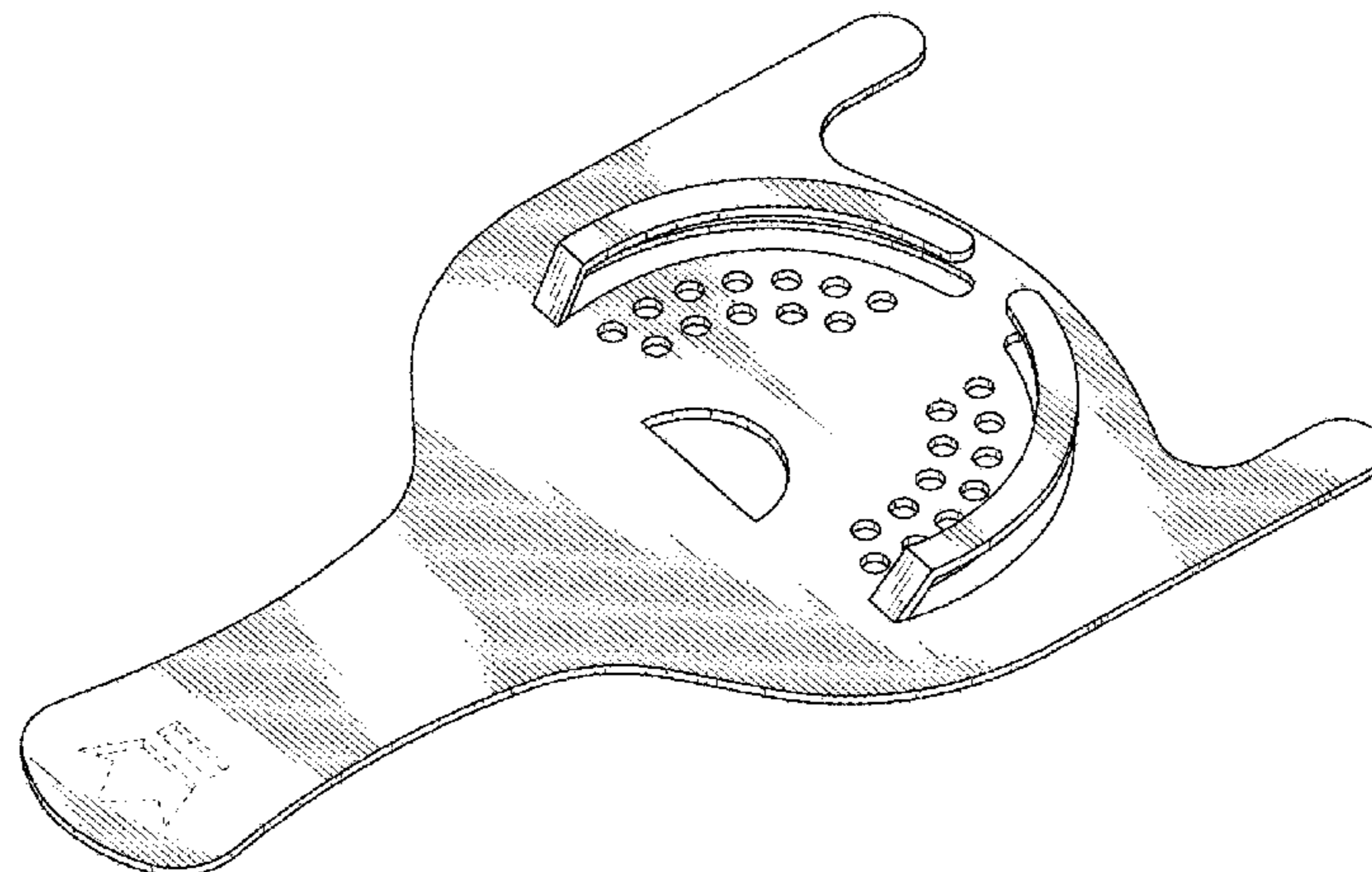
FIG. 5 is a topside view of the cocktail strainer of FIG. 1;

FIG. 6 is a bottom edge view of the cocktail strainer of FIG. 1;

FIG. 7 is a top edge view of the cocktail strainer of FIG. 1; and,

FIG. 8 is a side edge view of the cocktail strainer of FIG. 1. The broken lines are for illustrative purposes only and form no part of the claimed design.

**1 Claim, 7 Drawing Sheets**



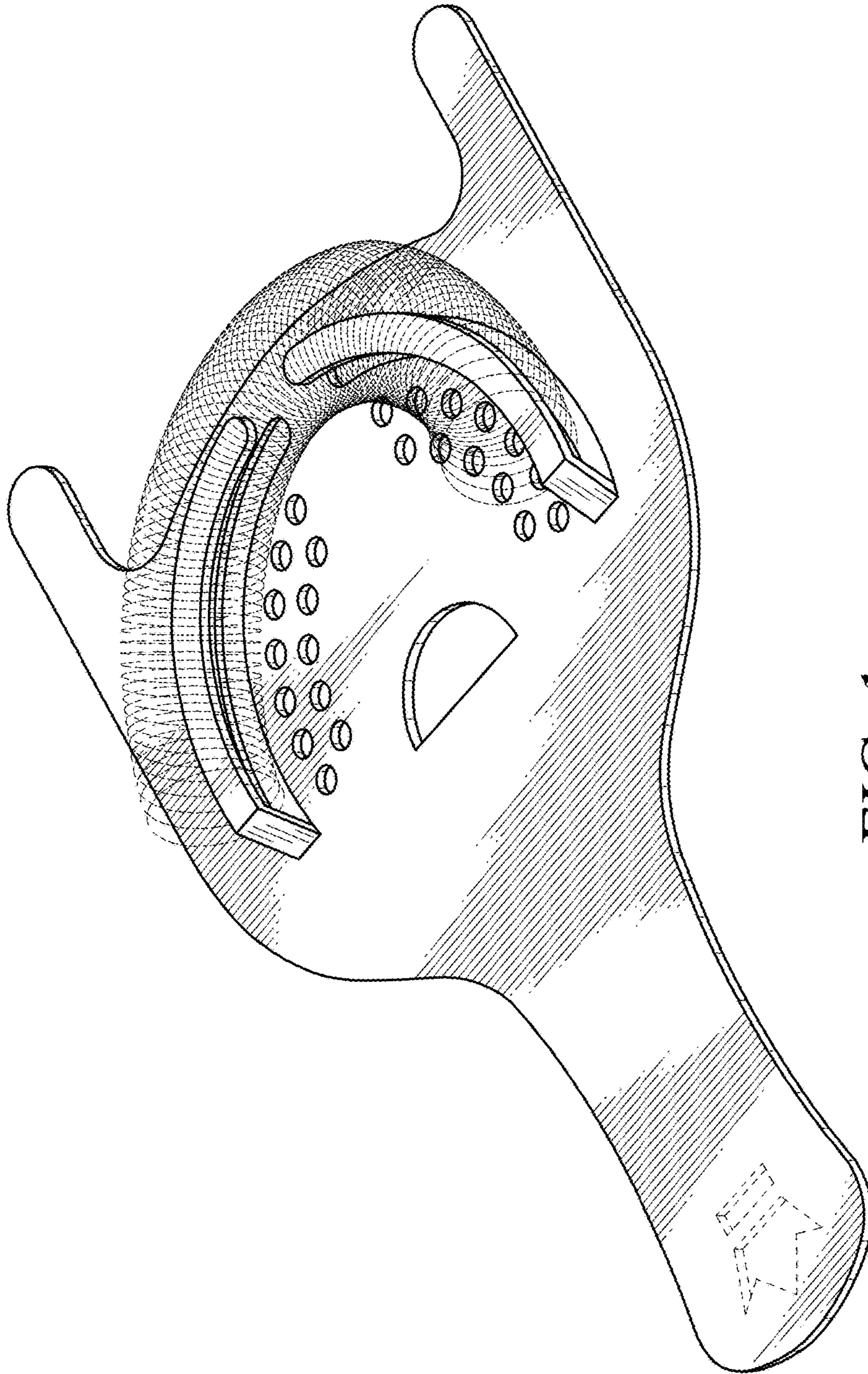


FIG. 1

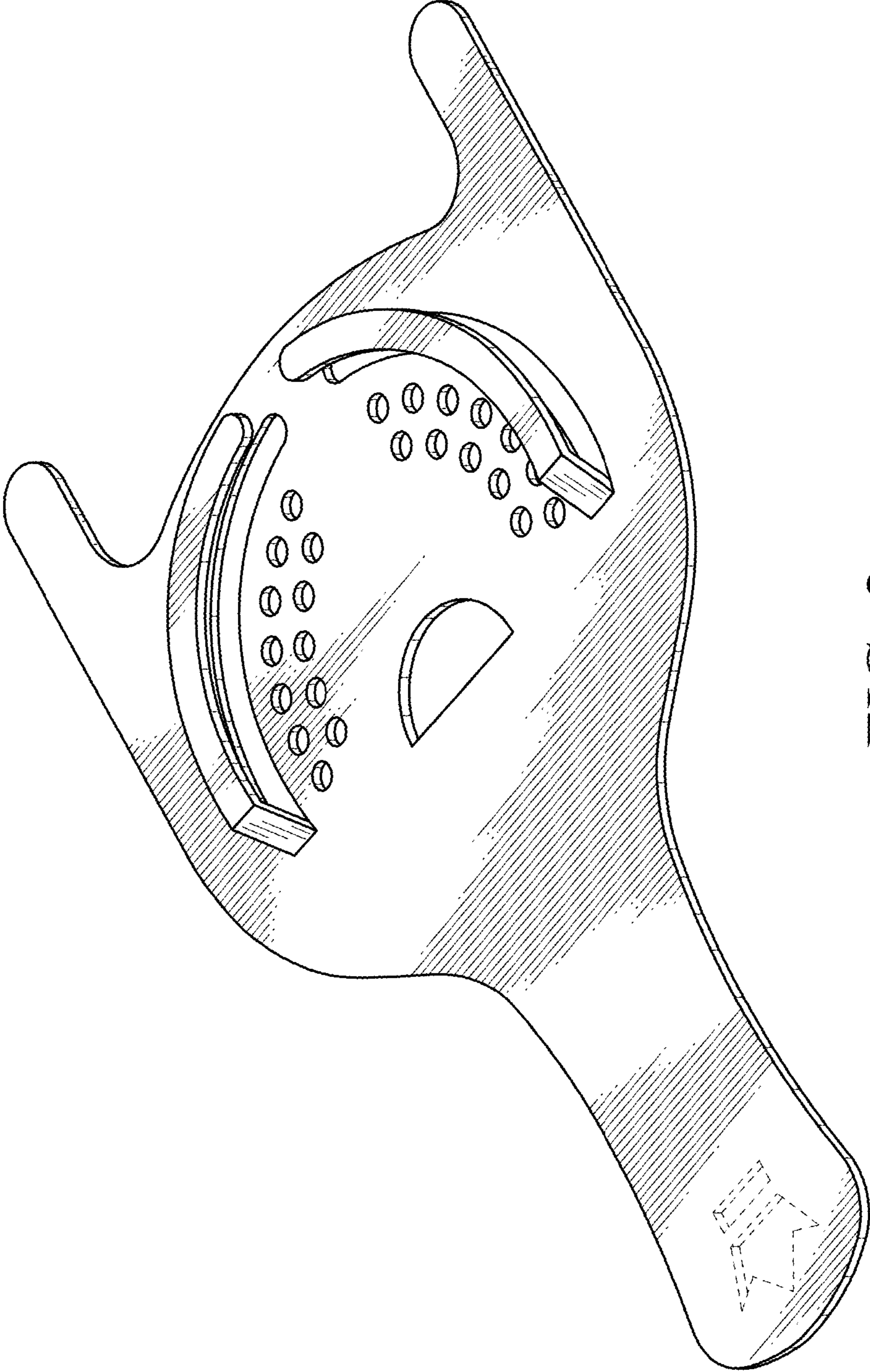


FIG. 2

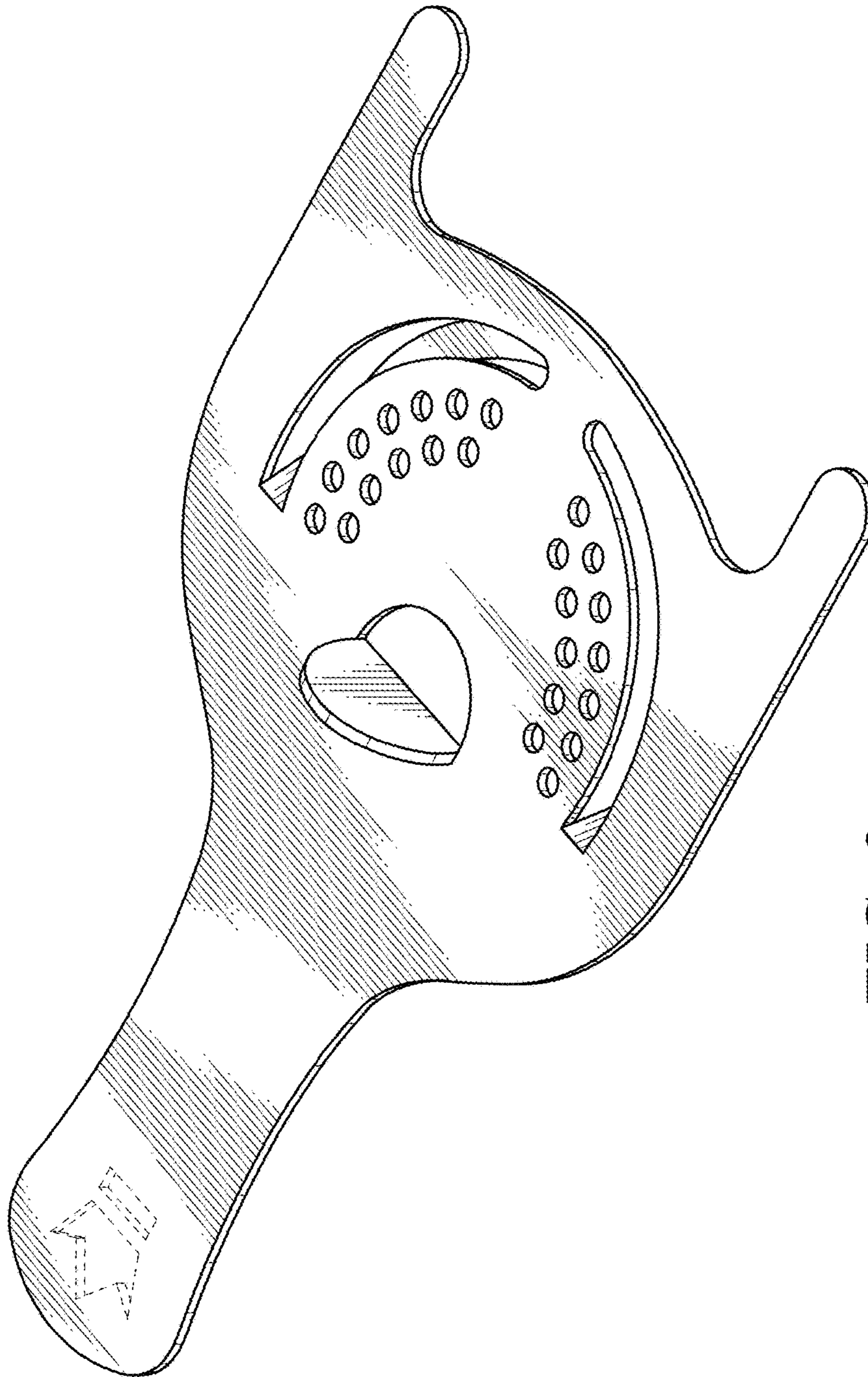


FIG. 3

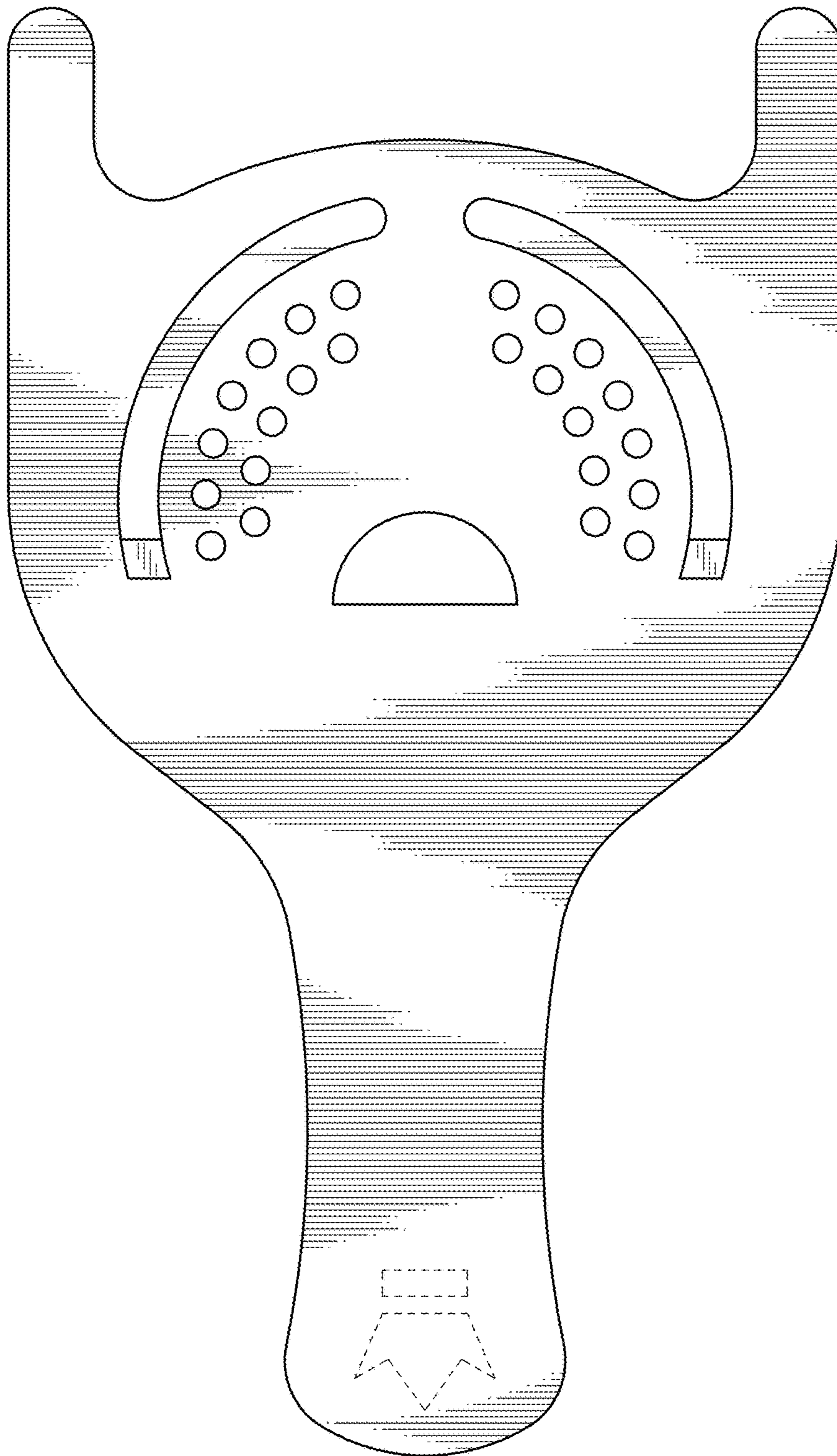


FIG. 4

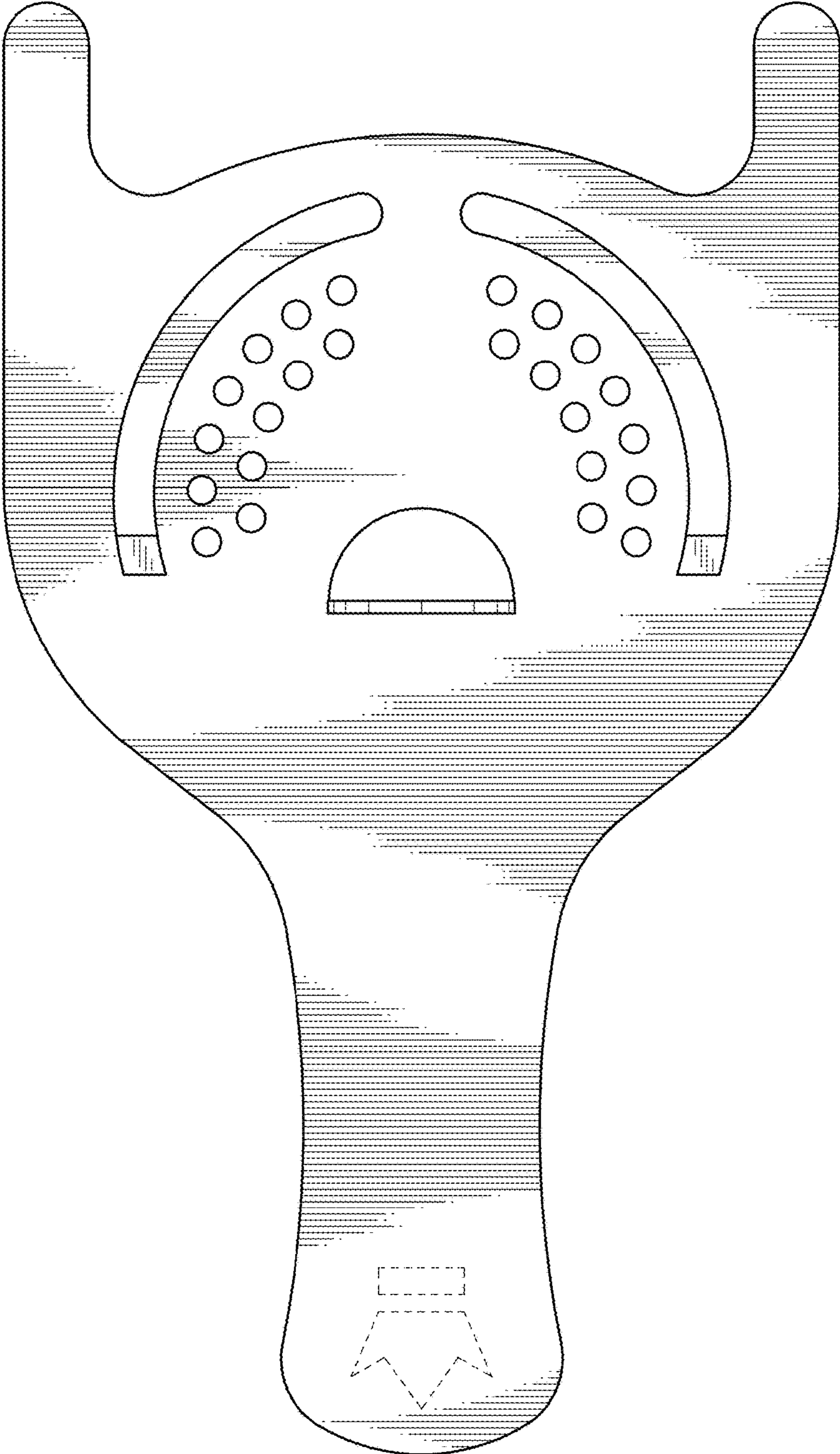


FIG. 5

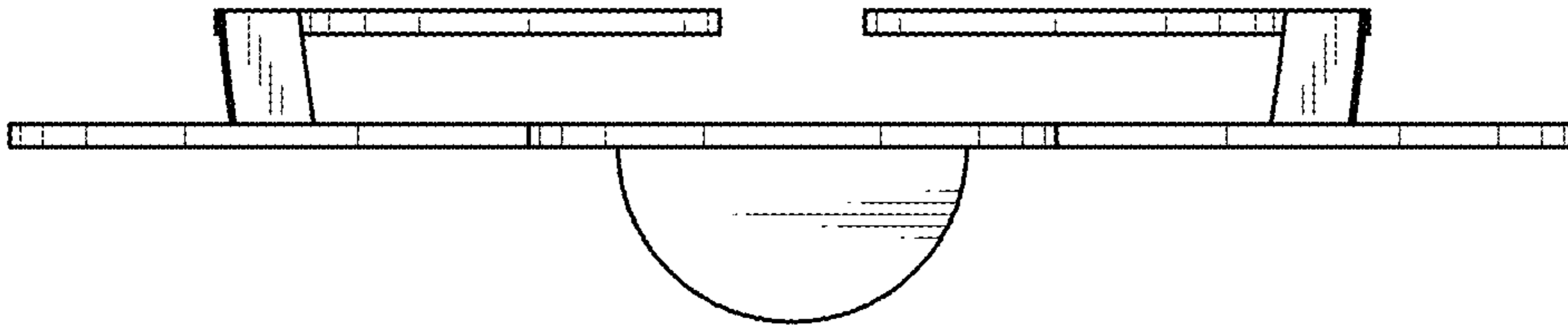


FIG. 6

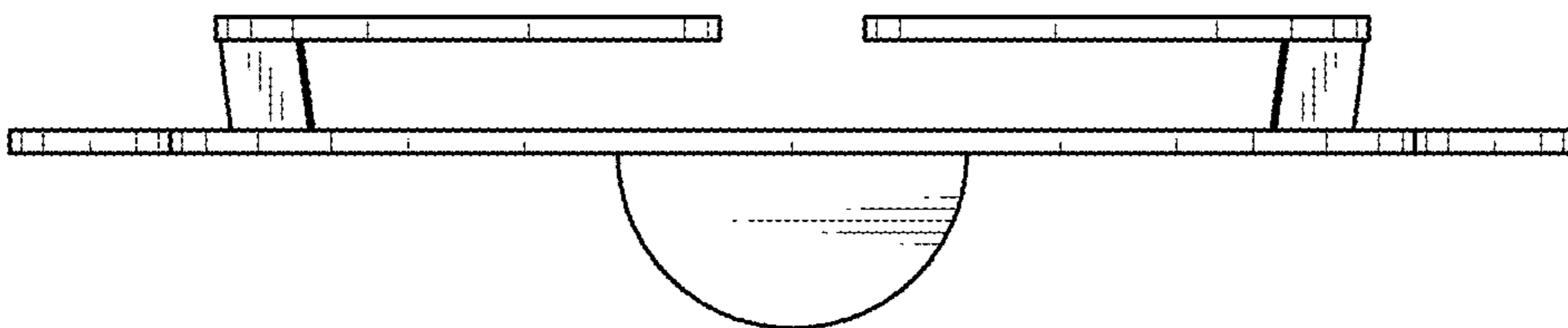


FIG. 7

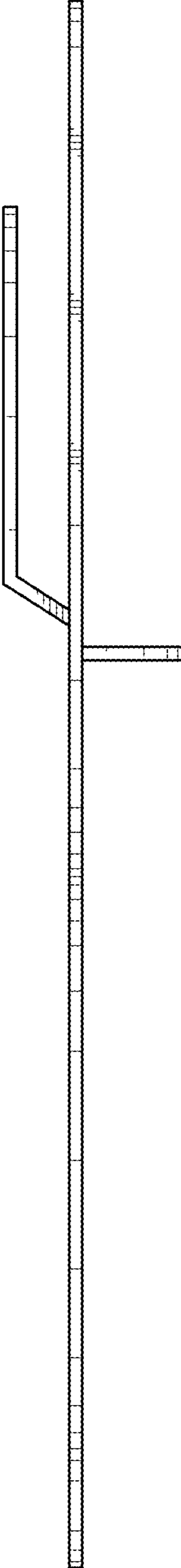


FIG. 8