



US00D803013S

(12) **United States Design Patent**
Cheng

(10) **Patent No.:** **US D803,013 S**

(45) **Date of Patent:** **** Nov. 21, 2017**

(54) **POTATO RICER**

(71) Applicant: **URBAN TREND, LLC**, Newport Beach, CA (US)

(72) Inventor: **Philip Cheng**, Ma On Shan (HK)

(73) Assignee: **Urban Trend LLC**, Newport Beach, CA (US)

(**) Term: **15 Years**

(21) Appl. No.: **29/551,598**

(22) Filed: **Jan. 14, 2016**

(51) **LOC (10) Cl.** **07-04**

(52) **U.S. Cl.**
USPC **D7/665**

(58) **Field of Classification Search**
USPC D7/665, 666, 680; 99/495, 506, 507, 99/508, 509, 510, 511; 100/99, 112, 116, 100/125, 234, 243; 241/167, 169.1, 241/169.2, 95, 273.3
CPC A47J 17/00; A47J 43/14; A01D 34/90; B26D 1/00; B30B 9/02; B30B 7/00
See application file for complete search history.

(56) **References Cited**

U.S. PATENT DOCUMENTS

4,253,351 A 3/1981 Allen
6,196,122 B1 * 3/2001 Lai A47J 19/022
100/110
D521,325 S * 5/2006 So D7/665
D521,816 S * 5/2006 So D7/665

D521,818 S * 5/2006 So D7/665
D613,565 S * 4/2010 Griffith D7/666
D667,279 S * 9/2012 Gray D7/666
8,322,277 B2 12/2012 Griffith

OTHER PUBLICATIONS

FreshForce Potato Ricer.
FreshForce Garlic Press.
FreshForce Citrus Juicer.

* cited by examiner

Primary Examiner — Susan Bennett Hattan
Assistant Examiner — S. Bryan Reinholdt, Jr.
(74) *Attorney, Agent, or Firm* — Greenberg Traurig, LLP

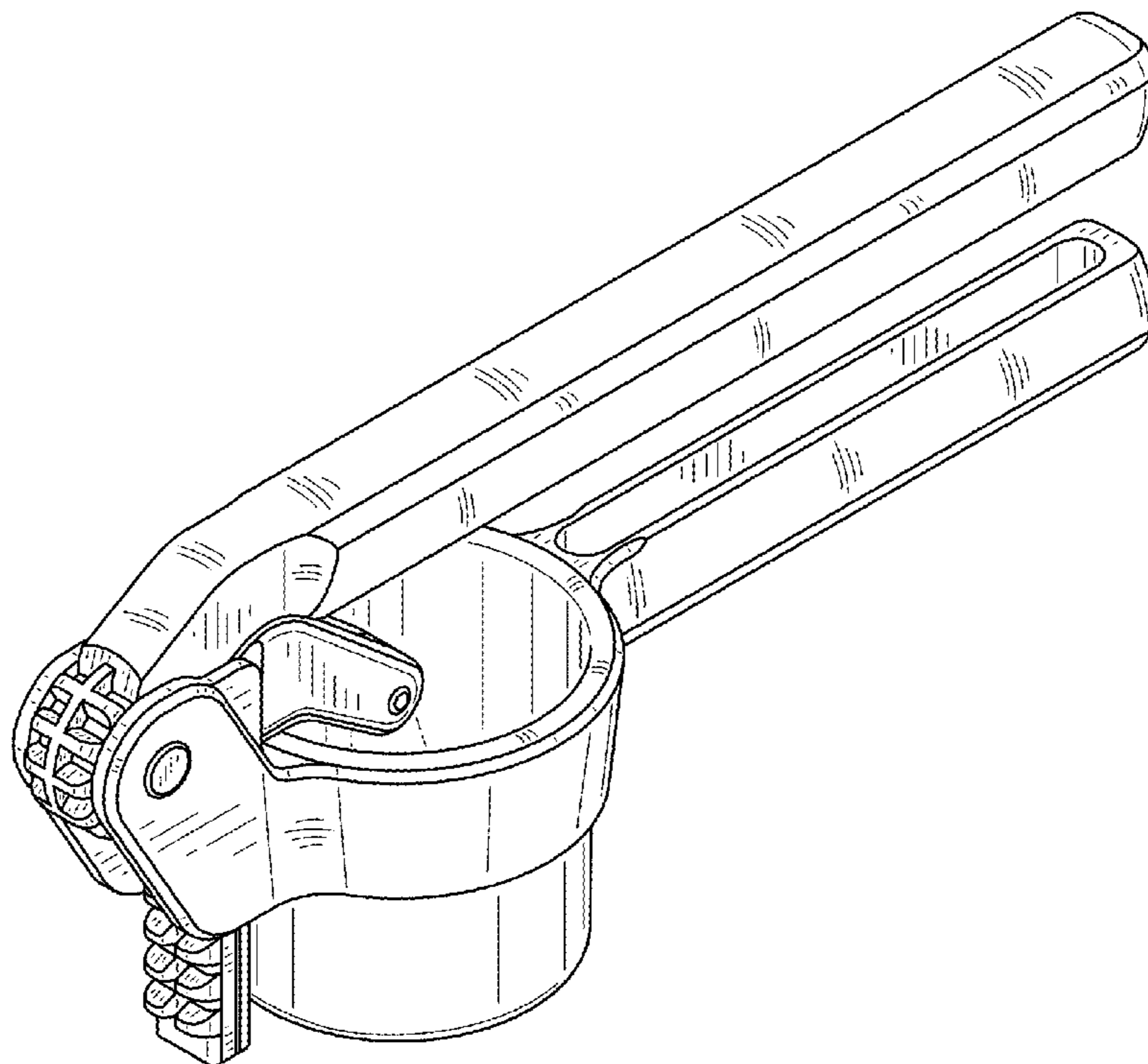
(57) **CLAIM**

What is claimed is the ornamental design for a potato ricer, as shown and described.

DESCRIPTION

FIG. 1 is an isometric view of the potato ricer; FIG. 2 is a front view of the potato ricer; FIG. 3 is a back view of the potato ricer; FIG. 4 is a right-side view of the potato ricer; FIG. 5 is a left-side view of the potato ricer; FIG. 6 is a top view of the potato ricer; and, FIG. 7 is a bottom view of the potato ricer. The broken lines in the drawings, including but not limited to the grate illustrated in FIG. 7, represent portions of the potato ricer that form no part of the claimed design.

1 Claim, 6 Drawing Sheets



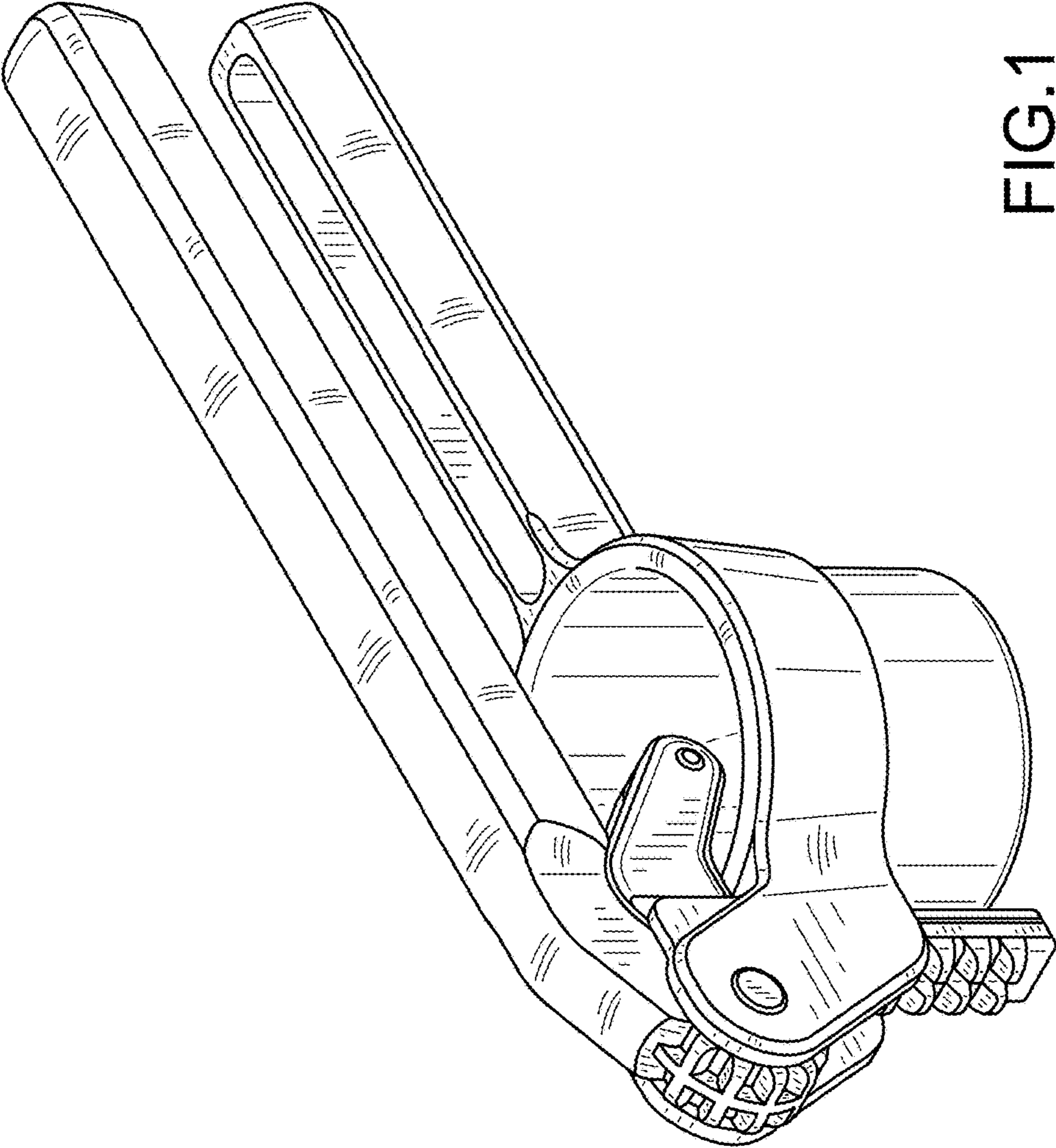


FIG.1

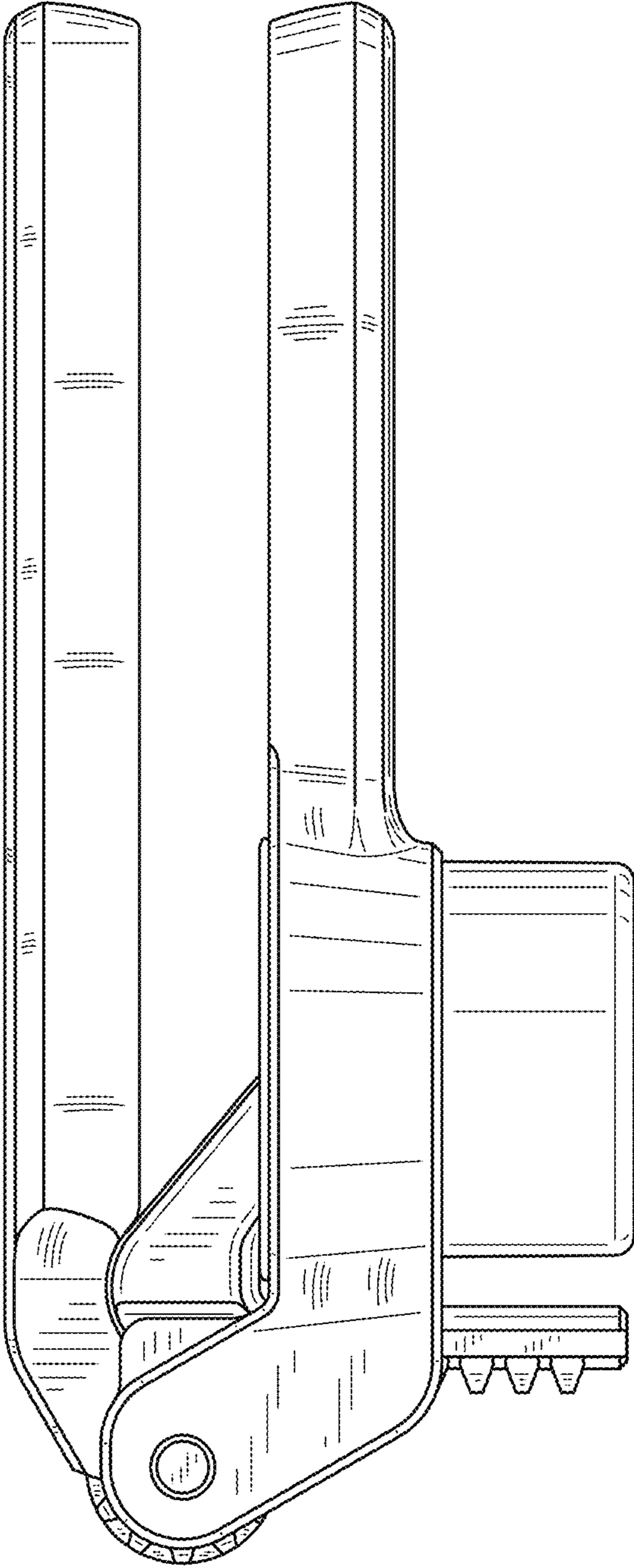


FIG.2

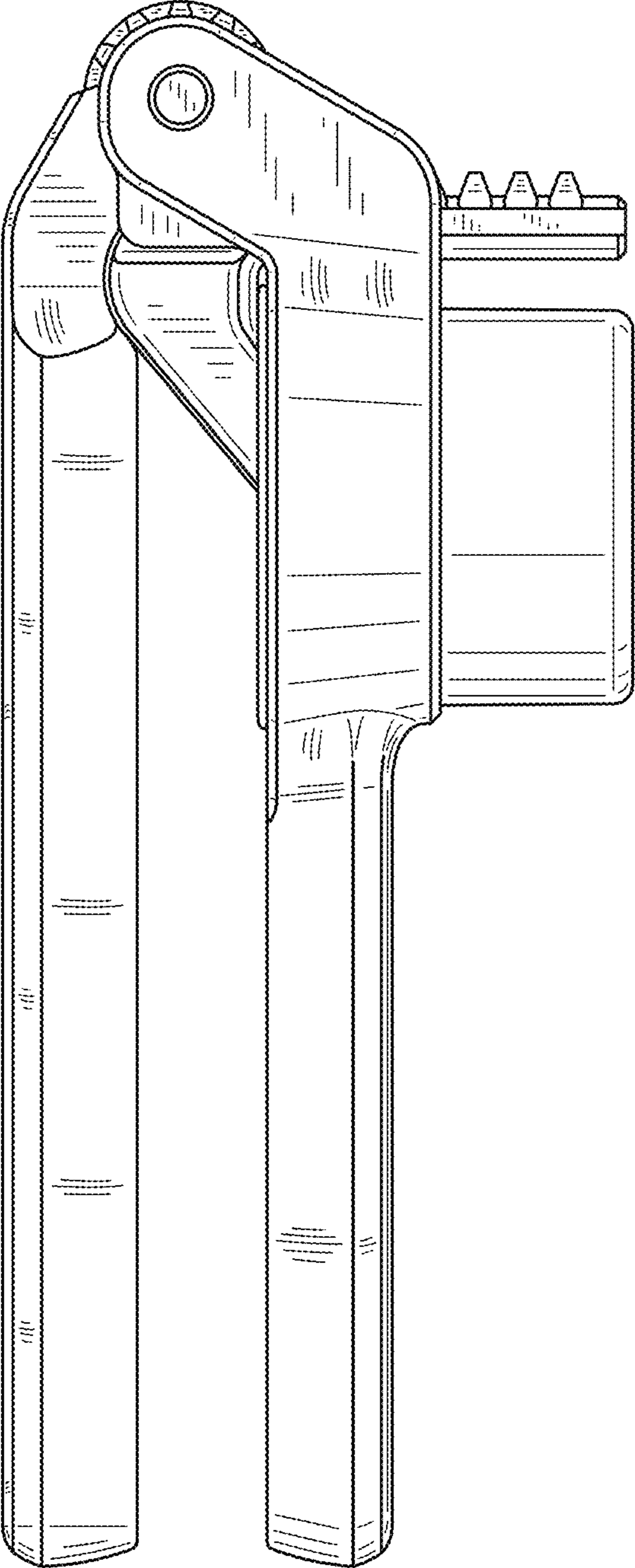


FIG.3

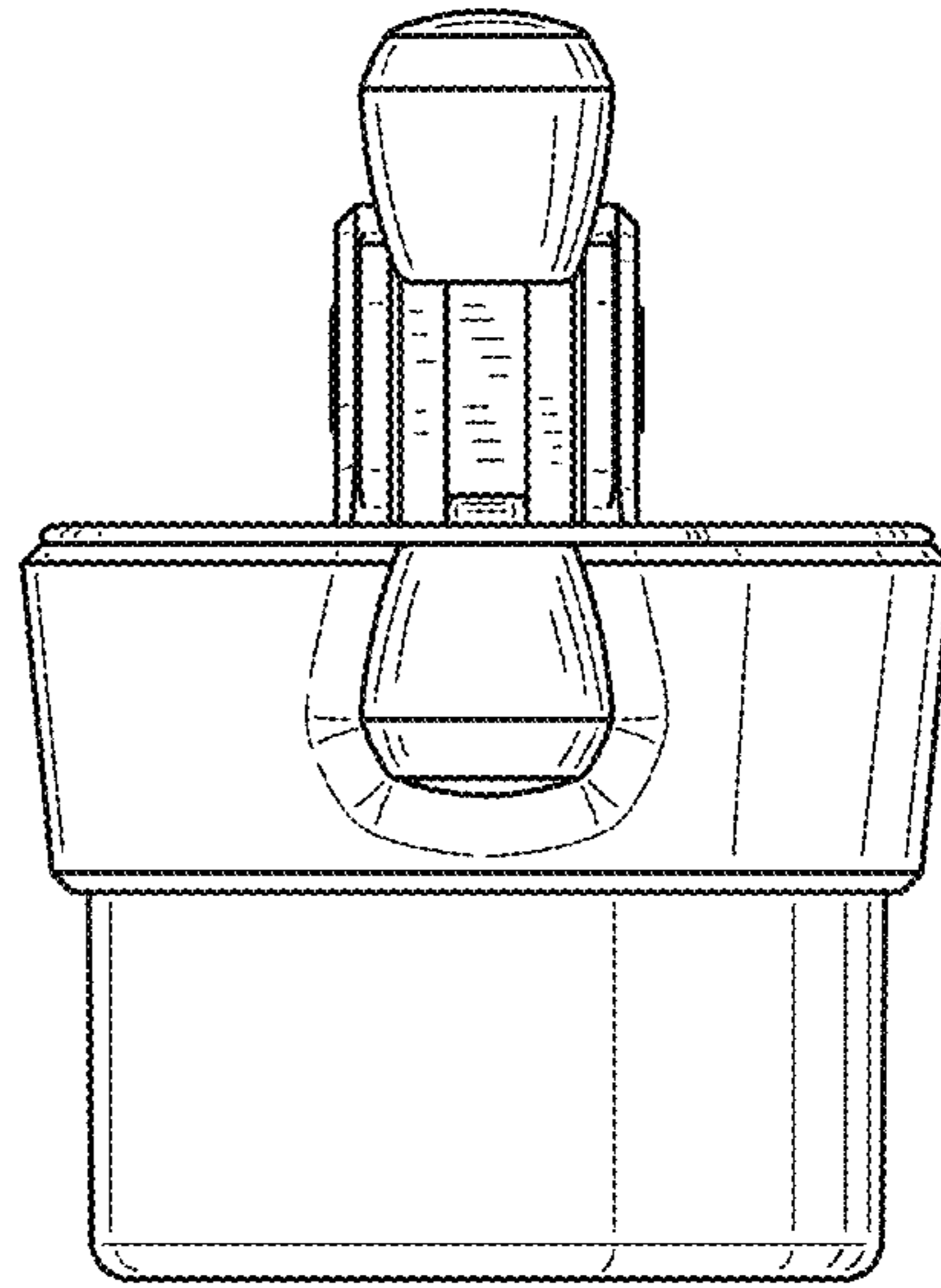


FIG. 4

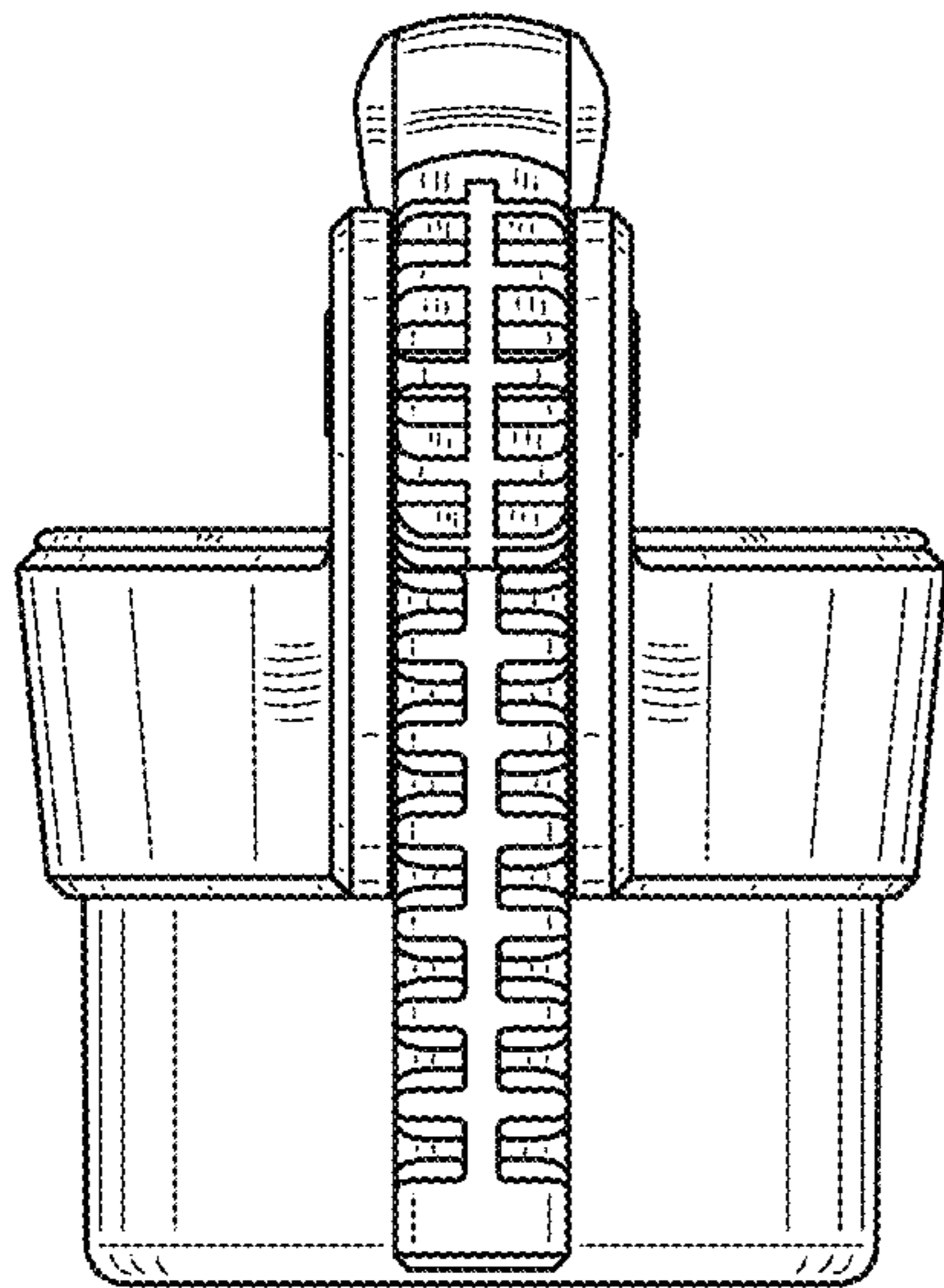


FIG. 5

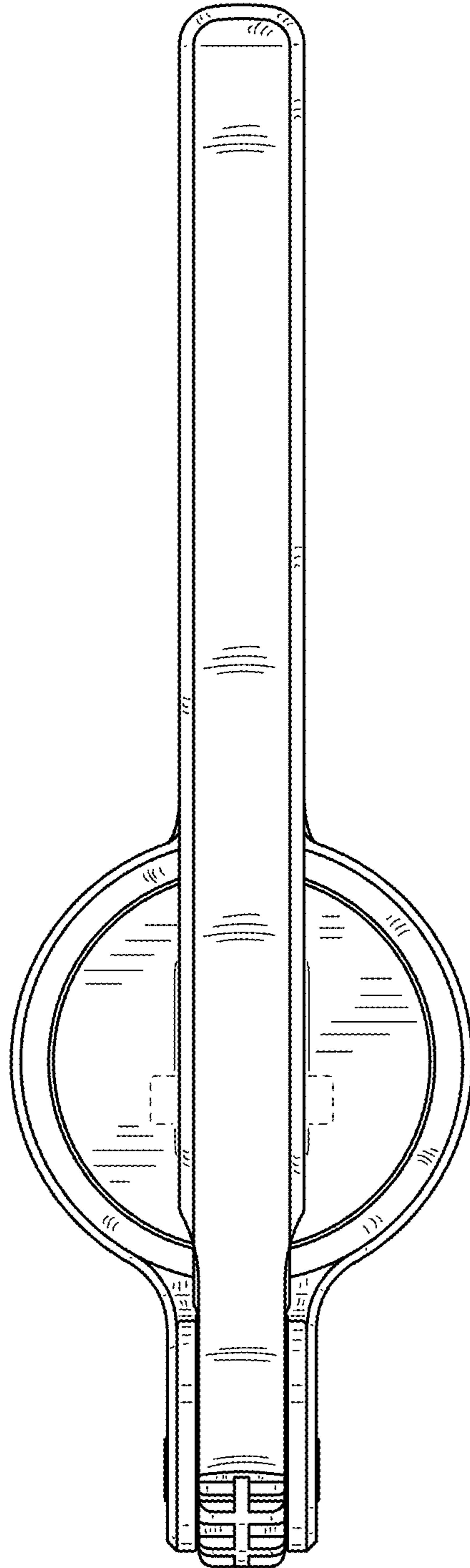


FIG. 6

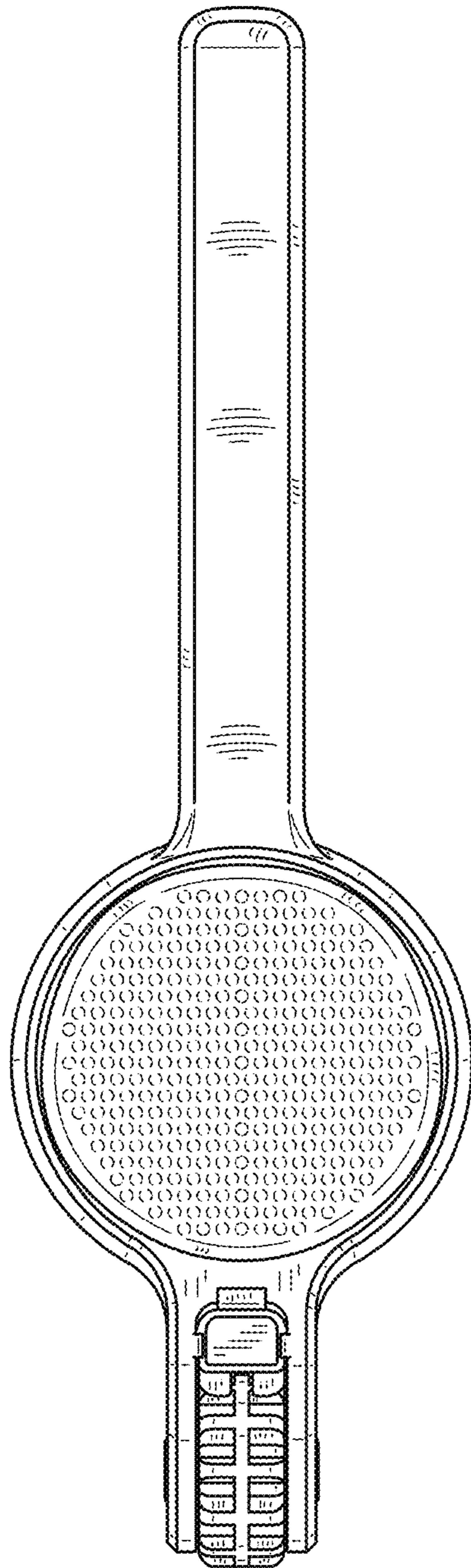


FIG.7