



US00D803012S

(12) **United States Design Patent** (10) **Patent No.:** **US D803,012 S**  
**Singer** (45) **Date of Patent:** **\*\* Nov. 21, 2017**

(54) **KNIFE**

FOREIGN PATENT DOCUMENTS

(71) Applicant: **Norman Singer**, Beit Shemesh (IL)

CN 2052708 U 2/1990  
CN 201573219 U 9/2010

(72) Inventor: **Norman Singer**, Beit Shemesh (IL)

(Continued)

(\*\*) Term: **15 Years**

OTHER PUBLICATIONS

(21) Appl. No.: **29/548,710**

Hilton Knife, <http://www.candlepowerforums.com/vb/showthread.php?343017-Another-Spyderco-paramilitary-2-review>, Aug. 23, 2012.

(22) Filed: **Dec. 16, 2015**

(Continued)

(51) **LOC (10) Cl.** ..... **07-03**

(52) **U.S. Cl.**

USPC ..... **D7/649**

(58) **Field of Classification Search**

USPC ..... D7/393-395, 401.2, 642-652, 673,  
D7/682-683, 693, 695-696; D8/14, 93,  
D8/97-100, 107, 300, 321; D22/117-118  
CPC ..... A01B 1/20; A01B 1/22; A22C 25/006;  
A47G 21/06; A47G 21/065; A61B  
17/3211; A61B 17/3213; B21D 53/64;  
B25G 1/102; B25G 3/36; B26B 1/00;  
B26B 1/08; B26B 1/10; B26B 3/00;  
B26B 3/02; B26B 3/03; B26B 3/04;  
B26B 3/06; B26B 5/00; B26B 5/001;  
B26B 5/007; B26B 7/00; B26B 7/005;  
B26B 9/00; B26B 9/02; B26B 11/00;  
B26B 11/006; B26B 17/00; B26B 17/006;  
B26B 29/02; F41B 15/06; F41B 15/08

See application file for complete search history.

*Primary Examiner* — Ricky Pham

(74) *Attorney, Agent, or Firm* — Pearl Cohen Zedek  
Latzer Baratz LLP

(57)

**CLAIM**

The ornamental design for a knife, as shown and described.

**DESCRIPTION**

FIG. 1 is a top, front, right side perspective view of a first embodiment of the knife;  
FIG. 2 is a right side elevational view thereof  
FIG. 3 is a left side elevational view thereof;  
FIG. 4 is a back elevational view thereof;  
FIG. 5 is a front elevational view thereof;  
FIG. 6 is a top plan view thereof;  
FIG. 7 is a bottom plan view thereof;  
FIG. 8 is a top, front, right side perspective view of a second embodiment of the knife;  
FIG. 9 is a right side elevational view thereof  
FIG. 10 is a left side elevational view thereof;  
FIG. 11 is a back elevational view thereof;  
FIG. 12 is a front elevational view thereof;  
FIG. 13 is a top plan view thereof; and,  
FIG. 14 is a bottom plan view thereof.  
The broken lines shown in the drawings are for illustrative purposes only and form no part of the claimed design.

(56)

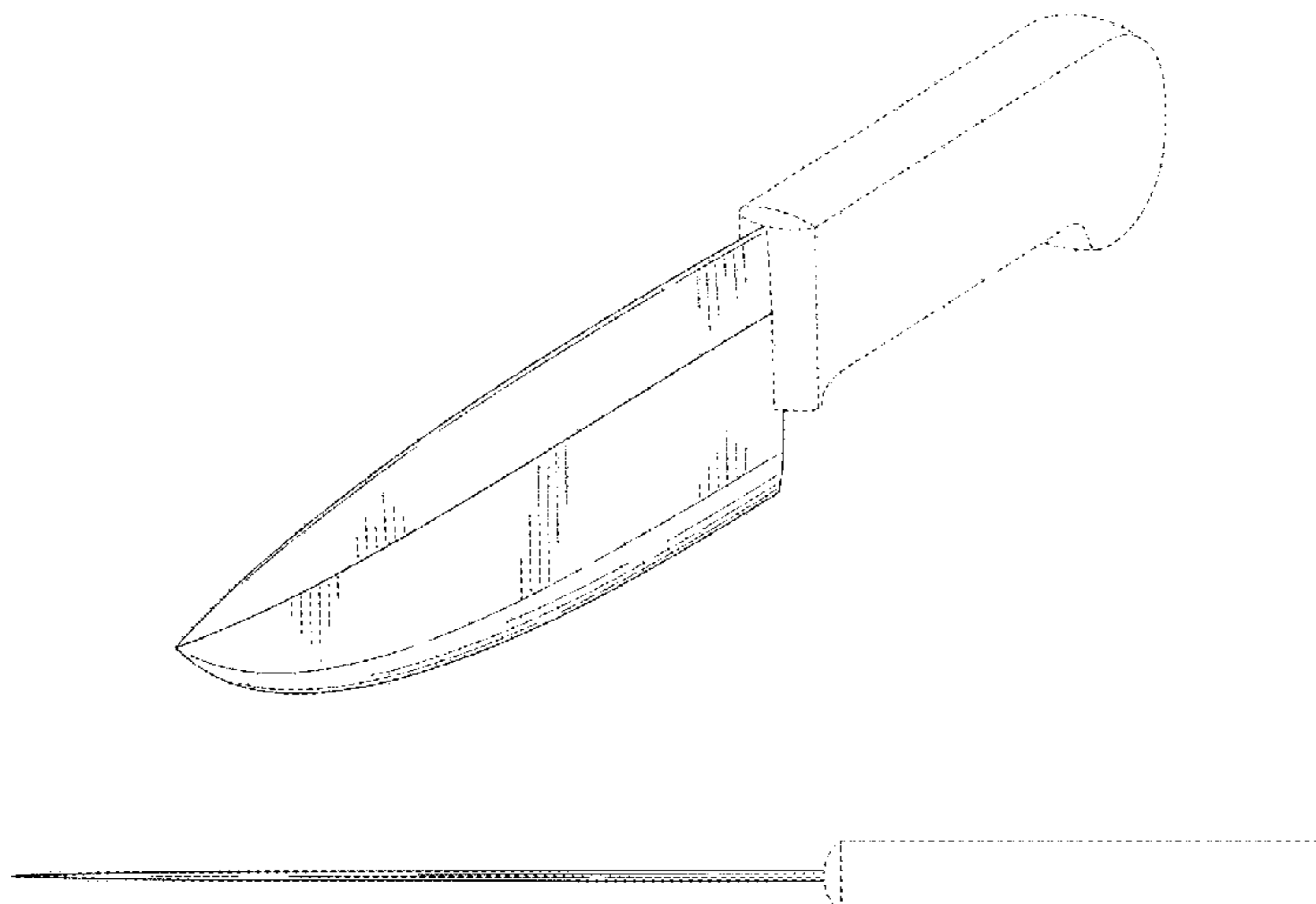
**References Cited**

U.S. PATENT DOCUMENTS

108,141 A 10/1870 Houseman et al.  
165,841 A 7/1875 Kellogg  
173,955 A 2/1876 Hudson  
226,146 A 3/1880 Zimmerer  
235,425 A 12/1880 Gearon  
296,304 A 4/1884 Allen  
369,314 A 9/1887 Brougher

(Continued)

**1 Claim, 6 Drawing Sheets**



(56)

References Cited

U.S. PATENT DOCUMENTS

391,268 A 10/1888 Parker  
 490,577 A 1/1893 Memminger  
 492,409 A 2/1893 May  
 D22,439 S 5/1893 McGuigan  
 538,459 A 4/1895 McCausland  
 605,577 A 6/1898 Hutchinson  
 649,059 A 5/1900 Kern  
 673,506 A 5/1901 Pitts  
 682,624 A 9/1901 Klickman  
 682,938 A 9/1901 Ingram  
 725,811 A 4/1903 Asbell  
 983,736 A 2/1911 MacOnochie  
 1,118,507 A 11/1914 Meyer  
 1,299,084 A 4/1919 Wilson  
 1,333,960 A 3/1920 Brehm  
 1,491,623 A 4/1924 Pitchur  
 1,505,444 A 8/1924 Swanson  
 1,571,886 A 2/1926 North  
 1,602,032 A 10/1926 March  
 1,750,577 A 3/1930 De Bracht  
 1,967,479 A 7/1934 Platts  
 2,153,759 A 4/1939 Katzinger  
 2,168,237 A 8/1939 Polacsek  
 2,217,100 A 10/1940 Burns  
 D131,224 S 1/1942 Parisi  
 2,279,833 A 4/1942 Madan  
 2,315,898 A 4/1943 Krilow  
 D136,023 S 7/1943 Phillips  
 2,467,327 A 4/1949 McKee  
 2,494,306 A 1/1950 Morvey  
 D173,124 S 9/1954 Niblack  
 2,737,719 A 3/1956 Ember et al.  
 2,739,498 A 3/1956 Champlin  
 D177,743 S 5/1956 Marx  
 2,803,876 A 8/1957 Nelson  
 D202,780 S 11/1965 Baer  
 D235,841 S 7/1975 Cremonese  
 D239,623 S 4/1976 Behunin  
 D252,790 S 9/1979 Reinschreiber  
 4,178,684 A 12/1979 Mightly  
 D255,974 S 7/1980 Jacoby  
 D262,731 S 1/1982 Austin  
 4,578,864 A 4/1986 Hoffman  
 D306,957 S 4/1990 Cohen et al.  
 5,365,666 A 11/1994 Gonzalez  
 D372,635 S \* 8/1996 Gebhardt ..... D7/401.2  
 D391,115 S 2/1998 Robertson  
 D397,282 S 8/1998 Derkatz  
 D405,338 S 2/1999 Balolia  
 D435,199 S \* 12/2000 Cohen ..... D7/649  
 D439,806 S 4/2001 Juhlin et al.  
 D445,643 S 7/2001 Kazaklaris  
 D455,937 S \* 4/2002 Huebner ..... D7/649  
 D461,681 S 8/2002 Lothe  
 D461,688 S 8/2002 Lothe  
 6,502,314 B1 1/2003 McCatty

6,725,545 B2 4/2004 Frank  
 D537,850 S 3/2007 Moore et al.  
 D538,591 S 3/2007 Ashton, III  
 D539,082 S \* 3/2007 Molayem ..... D7/393  
 D546,134 S \* 7/2007 Leuze ..... D7/649  
 D552,430 S 10/2007 Chen  
 D554,949 S 11/2007 Hood  
 7,302,760 B2 12/2007 Lake  
 7,434,320 B2 10/2008 Aston, III  
 D600,506 S 9/2009 Miltner et al.  
 D612,694 S 3/2010 Eide et al.  
 D624,369 S \* 9/2010 Gerlach ..... D7/649  
 D643,256 S 8/2011 Hirai  
 D643,257 S 8/2011 Hirai  
 D643,260 S 8/2011 Spiegel  
 D643,261 S 8/2011 Spiegel  
 8,082,669 B2 12/2011 Hayes  
 D661,554 S \* 6/2012 Thomkins ..... D7/401.2  
 8,584,365 B2 11/2013 Zeitlin  
 8,732,958 B2 5/2014 Huang  
 D710,158 S \* 8/2014 Berger ..... D7/401.2  
 D717,127 S \* 11/2014 Chen ..... D7/642  
 D719,405 S 12/2014 Miller  
 8,931,381 B2 1/2015 Poran  
 8,943,935 B2 2/2015 Qian  
 9,132,559 B2 9/2015 Hatch et al.  
 D770,849 S \* 11/2016 de la Coussaye ..... D7/349  
 D774,354 S 12/2016 Scobey, Jr.  
 D790,290 S \* 6/2017 Singer ..... D7/401.2  
 D792,154 S \* 7/2017 Berger ..... D7/401.2  
 D795,639 S \* 8/2017 Singer ..... D7/401.2  
 2002/0170184 A1 11/2002 Lothe  
 2003/0182808 A1 10/2003 Mireles  
 2005/0241111 A1 11/2005 Prokop  
 2013/0104403 A1 5/2013 Stokes  
 2016/0193742 A1 7/2016 Faiola  
 2016/0375598 A1 12/2016 Singer

FOREIGN PATENT DOCUMENTS

DE 29914226 U1 11/1999  
 KR 20090007796 U 8/2009

OTHER PUBLICATIONS

Jade Knife, <http://andy321.proboards.com/thread/50295/jade-knife>, Feb. 1, 2012.  
 Tac-Force TF-578BK Karambit A/O Finger Ring Knife, <http://www.moosecreekgear.com/tac-force-tf578bk-karambit-ao-linerlock-knife.html>, last accessed Jun. 25, 2015.  
 Gerber Myth Pocket Folder Knife, <http://www.amazon.com/Gerber-Myth-Pocket-Folder-Knife/dp/B00P6M07B4>, last accessed Jun. 25, 2015.  
 High Desert Survival School Knife, <http://jasonklass.blogspot.in/2011/05/high-desert-survival-school-knife.html>, last accessed Jun. 25, 2015.

\* cited by examiner

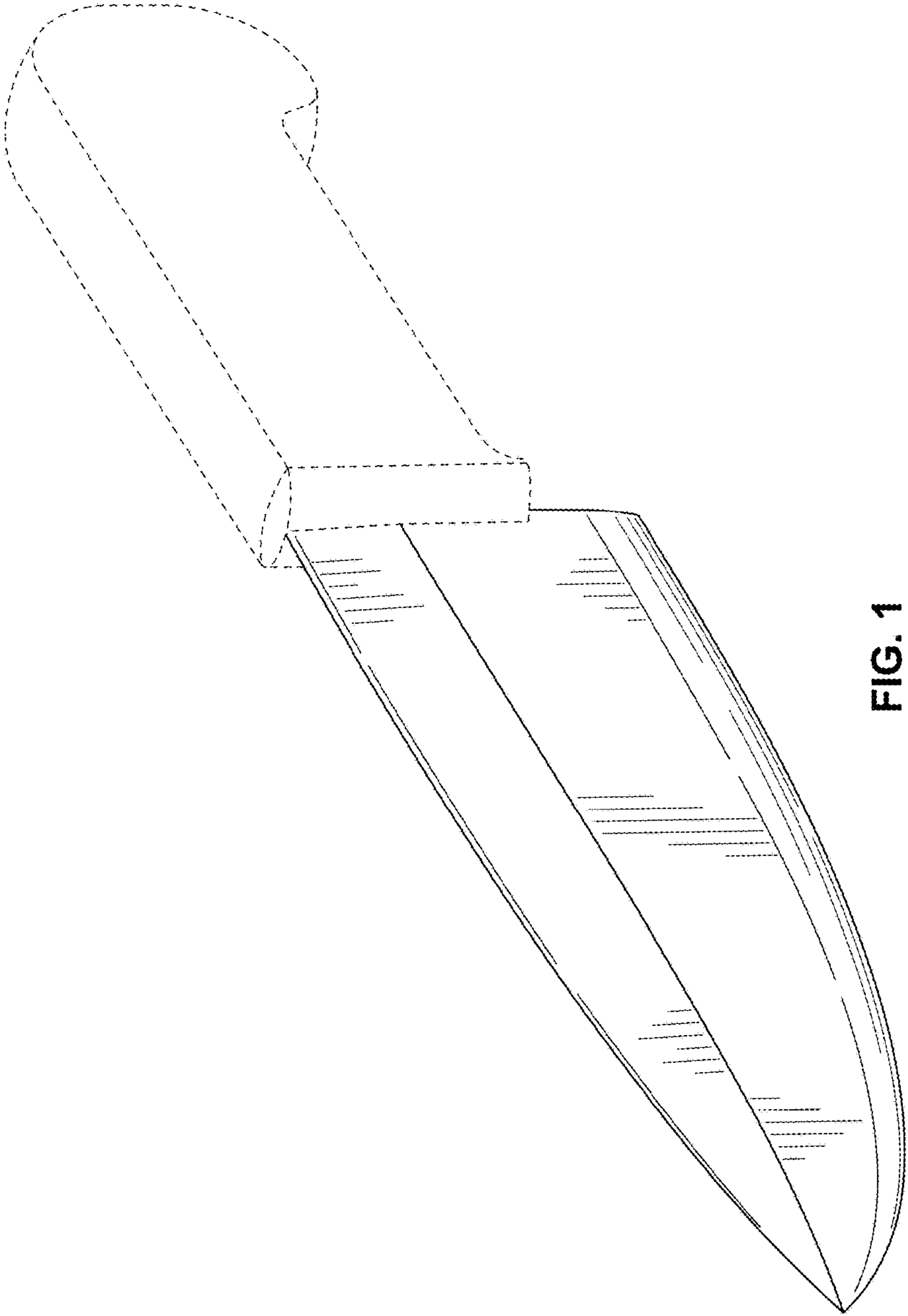


FIG. 1

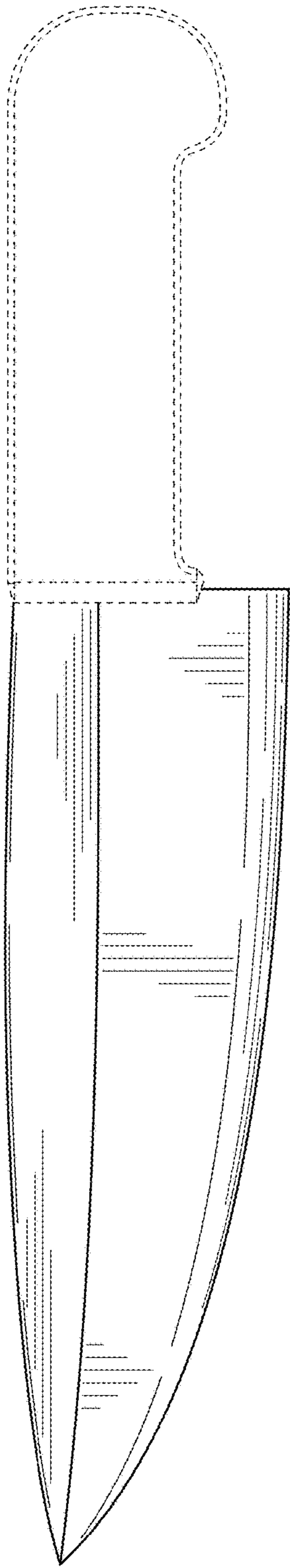


FIG. 2

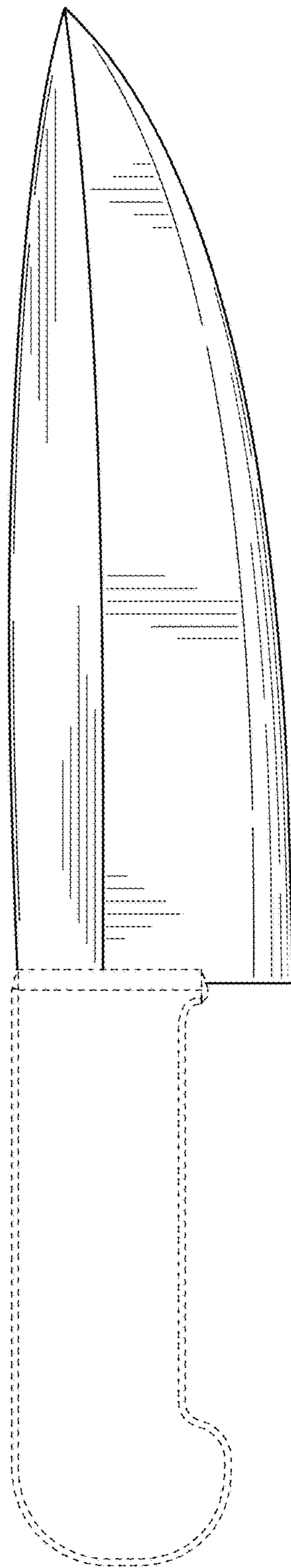


FIG. 3

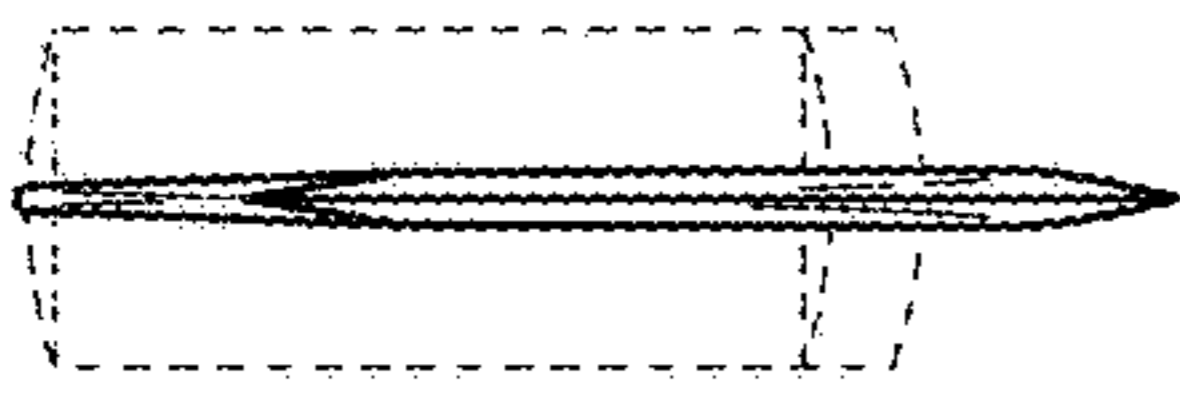


FIG. 4



FIG. 5

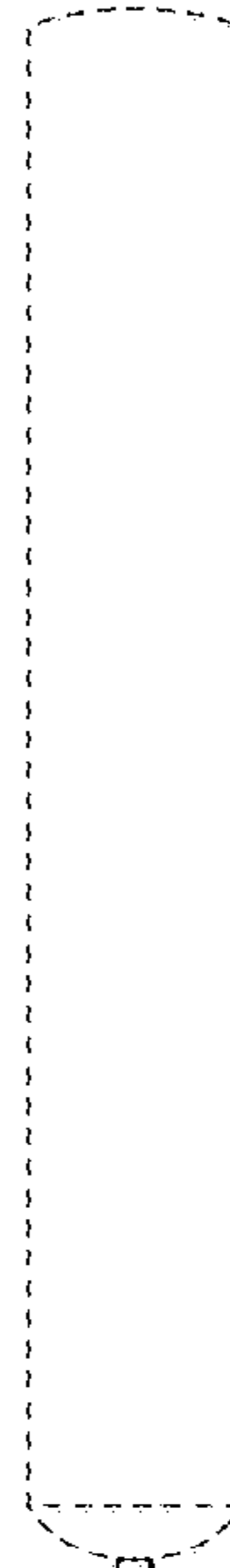


FIG. 6

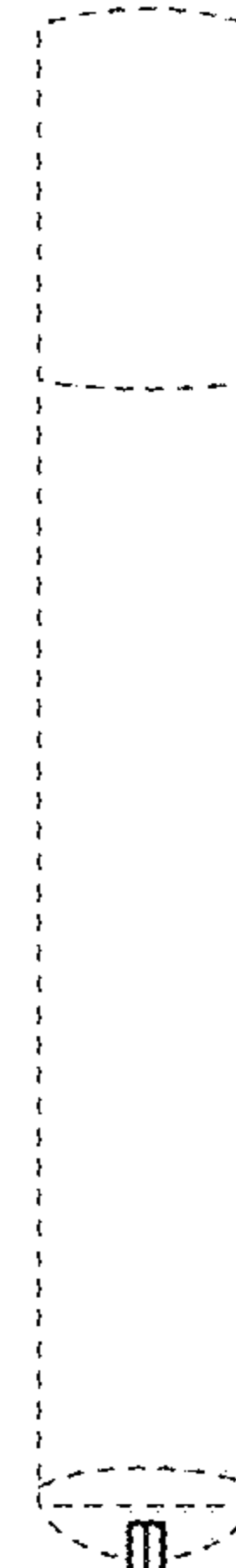


FIG. 7

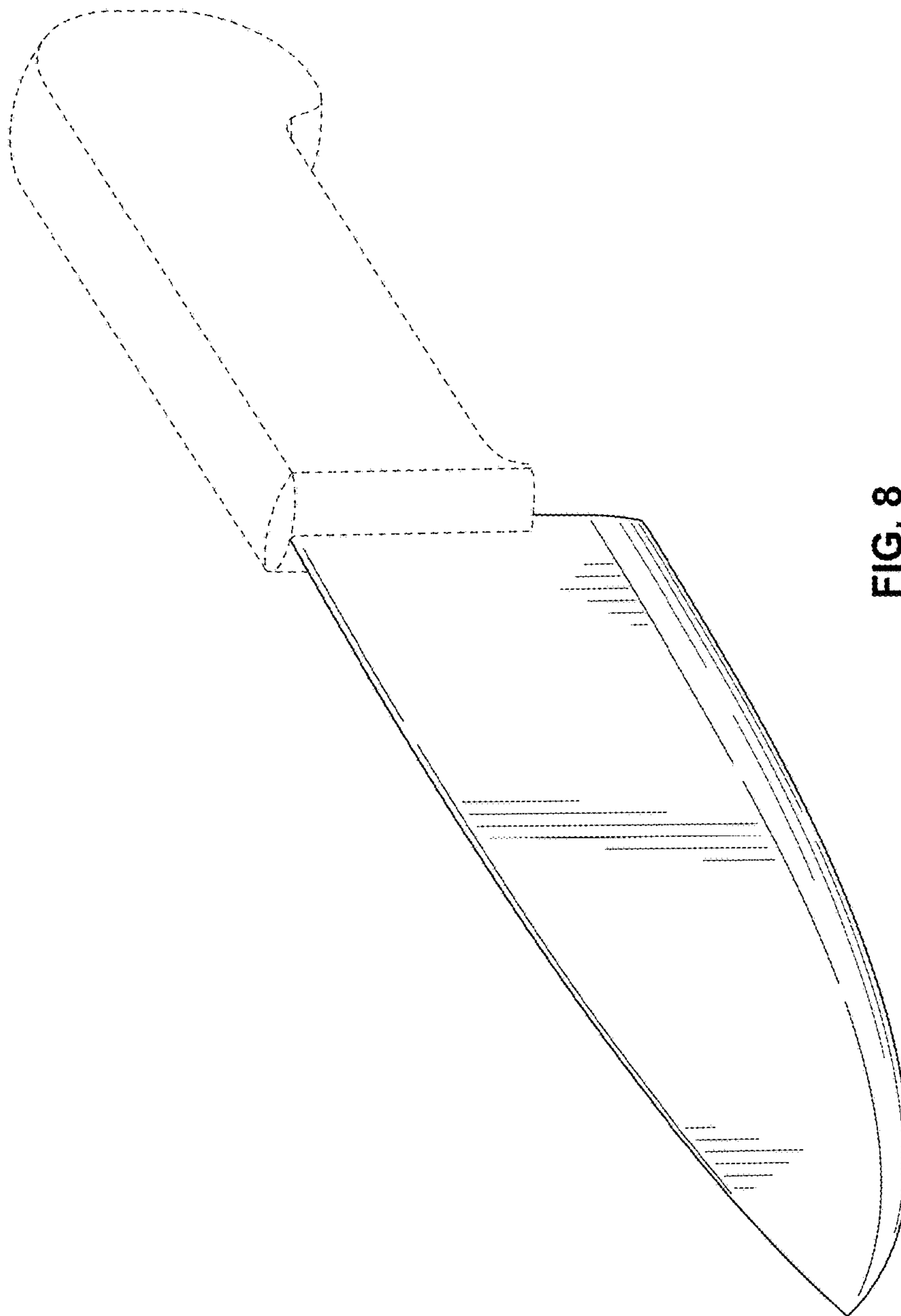


FIG. 8

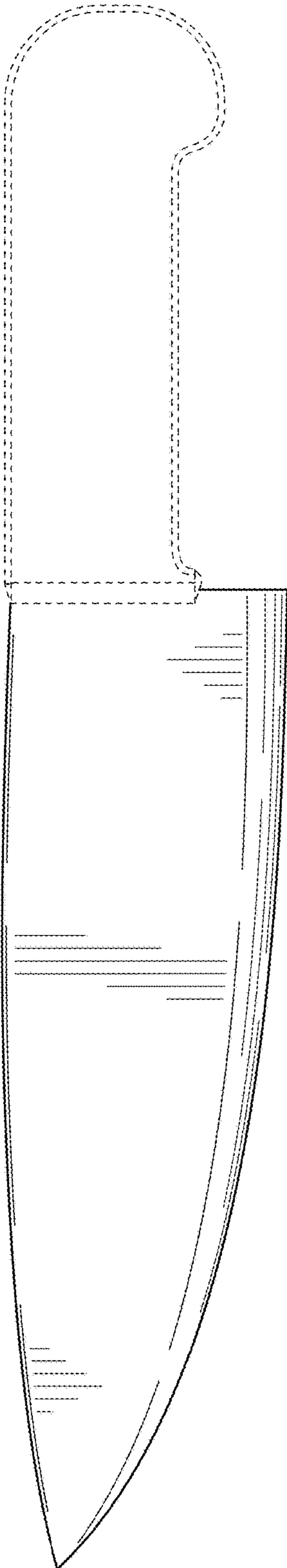


FIG. 9

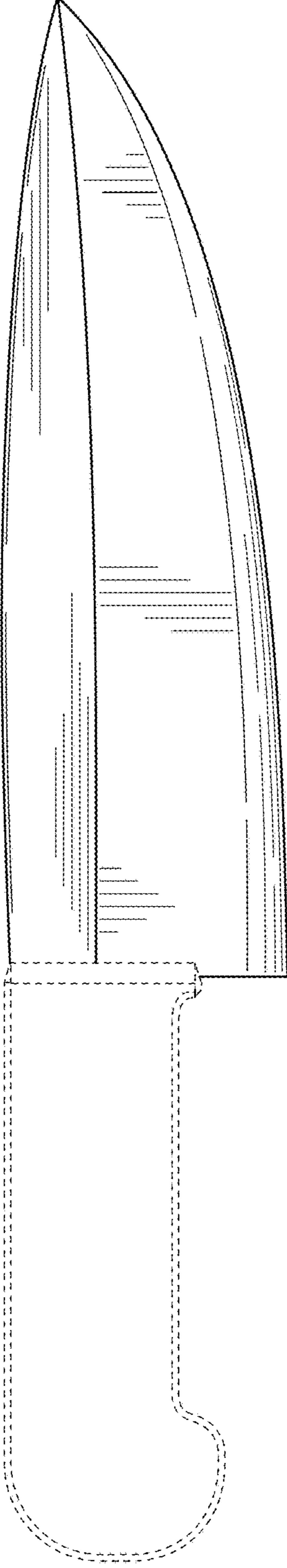


FIG. 10



FIG. 11

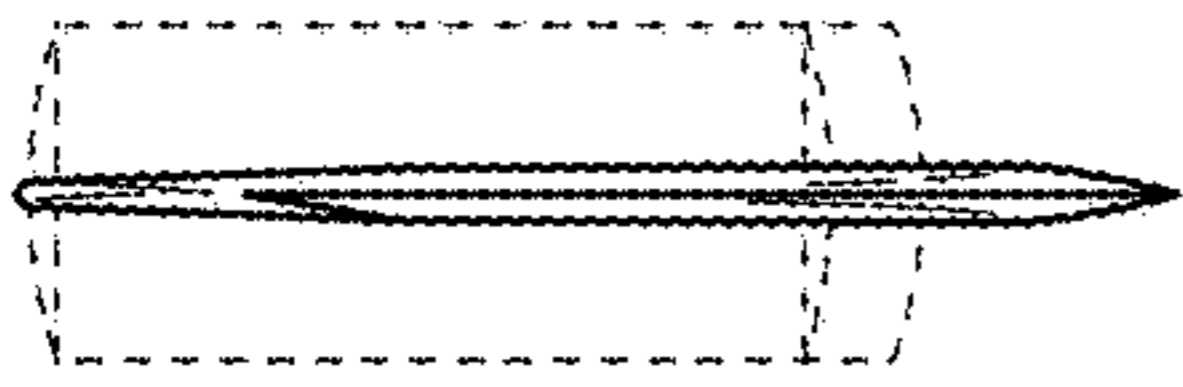


FIG. 12

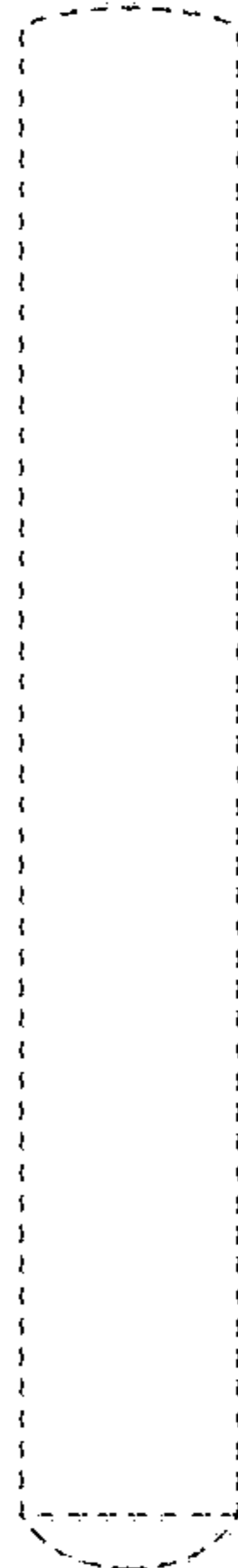


FIG. 13

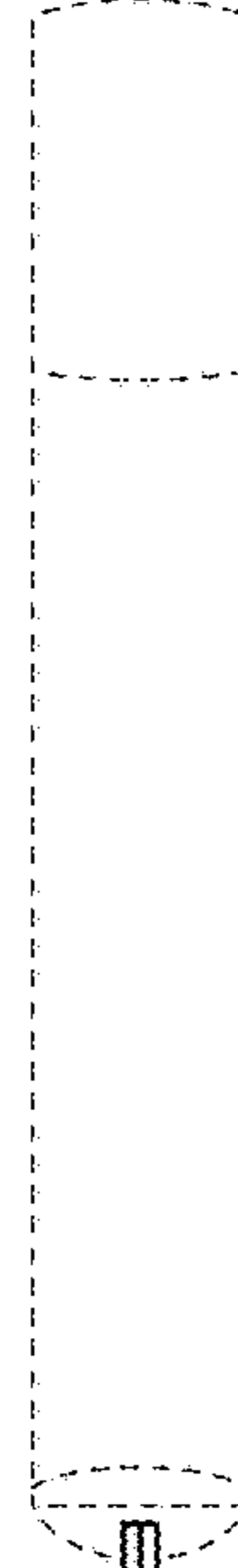


FIG. 14