



US00D803010S

(12) **United States Design Patent** (10) **Patent No.:** **US D803,010 S**
Sanghavi (45) **Date of Patent:** **** Nov. 21, 2017**

(54) **BEVERAGE CONTAINER HOLDER**

(71) Applicant: **Maulik M. Sanghavi**, Cranford, NJ
(US)

(72) Inventor: **Maulik M. Sanghavi**, Cranford, NJ
(US)

(**) Term: **15 Years**

(21) Appl. No.: **29/570,684**

(22) Filed: **Jul. 11, 2016**

(51) **LOC (10) Cl.** **07-06**

(52) **U.S. Cl.**
USPC **D7/624.1**

(58) **Field of Classification Search**
USPC D7/619.1-625
See application file for complete search history.

(56) **References Cited**

U.S. PATENT DOCUMENTS

3,028,702	A	4/1962	St. Cyr	
4,163,374	A	8/1979	Moore et al.	
4,600,112	A	7/1986	Shillington et al.	
4,756,497	A	7/1988	Lan	
4,889,302	A *	12/1989	Tucker	A47G 23/0216 215/12.2
4,964,600	A	10/1990	Lee	
5,135,195	A	8/1992	Dane	
6,168,034	B1	1/2001	Perrone	
6,581,888	B1 *	6/2003	Castillo	A47G 23/0225 248/146
7,306,112	B2	12/2007	Shepard	
D616,249	S	5/2010	Galinski	
8,087,528	B1 *	1/2012	Scarlett	A47G 23/0216 220/23.89

8,746,486	B2	6/2014	Del Solar et al.	
2006/0231698	A1 *	10/2006	Richardson	B60N 3/10 248/146
2007/0181766	A1	8/2007	Sarullo	
2007/0205205	A1 *	9/2007	Kliewer	A47G 23/0225 220/737
2008/0011914	A1	1/2008	McCombs	
2008/0087786	A1	4/2008	Oas	
2008/0190948	A1	8/2008	Sayasithsena	
2013/0306667	A1 *	11/2013	Chan	A47G 19/30 220/810
2015/0060475	A1	3/2015	Mellentine	

* cited by examiner

Primary Examiner — Terry A Wallace

(74) *Attorney, Agent, or Firm* — Chiesa Shahinian & Giantomasi PC

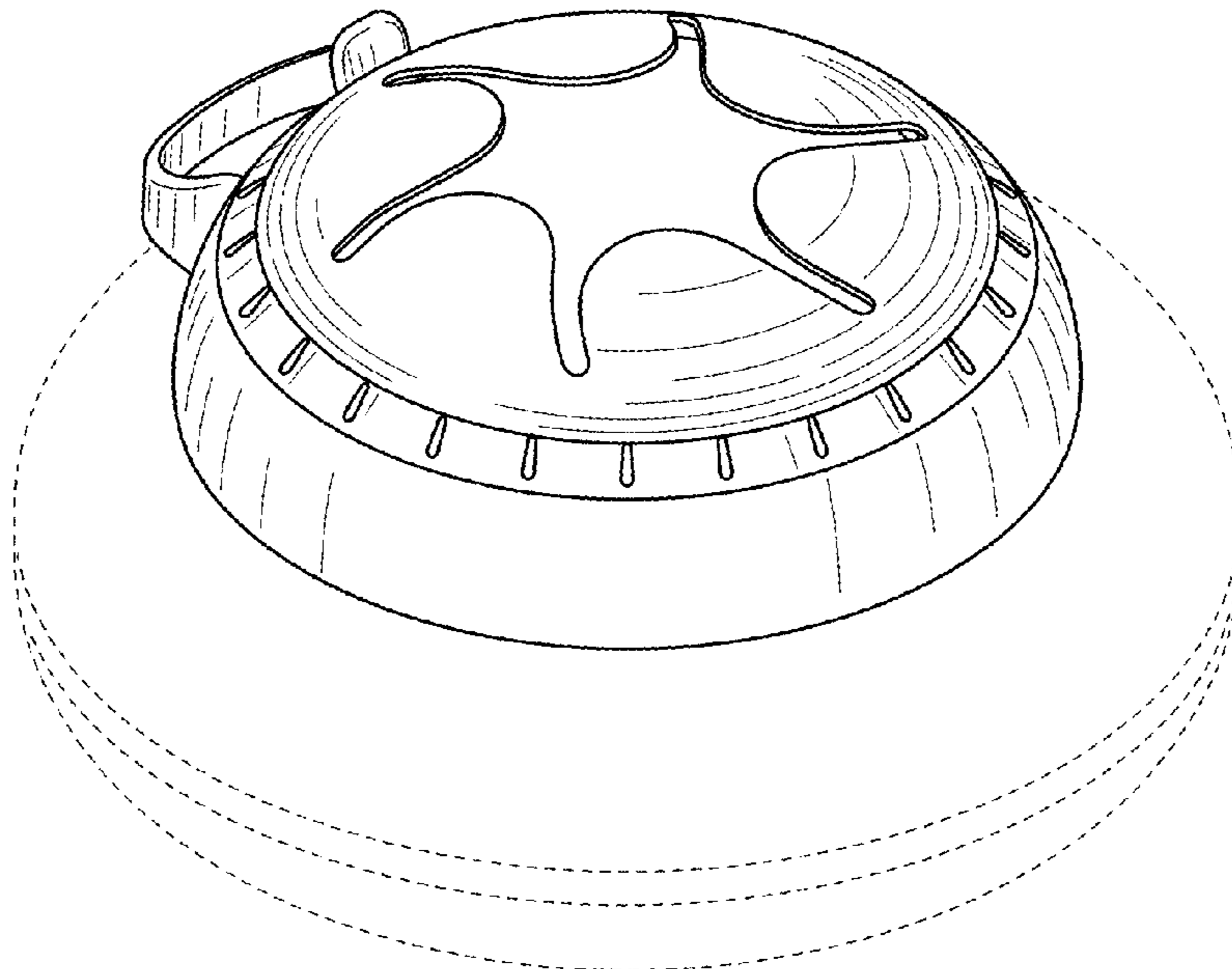
(57) **CLAIM**

The ornamental design for a beverage container holder, as shown and described.

DESCRIPTION

FIG. 1 is a front perspective view of a design for a beverage container holder;
FIG. 2 is a left side view thereof;
FIG. 3 is a right side view thereof;
FIG. 4 is a front view thereof;
FIG. 5 is a rear view thereof;
FIG. 6 is a top view thereof; and,
FIG. 7 is a bottom view thereof.
Any broken lines shown in the drawings are for illustrative purposes only and do not form part of the claimed design.

1 Claim, 4 Drawing Sheets



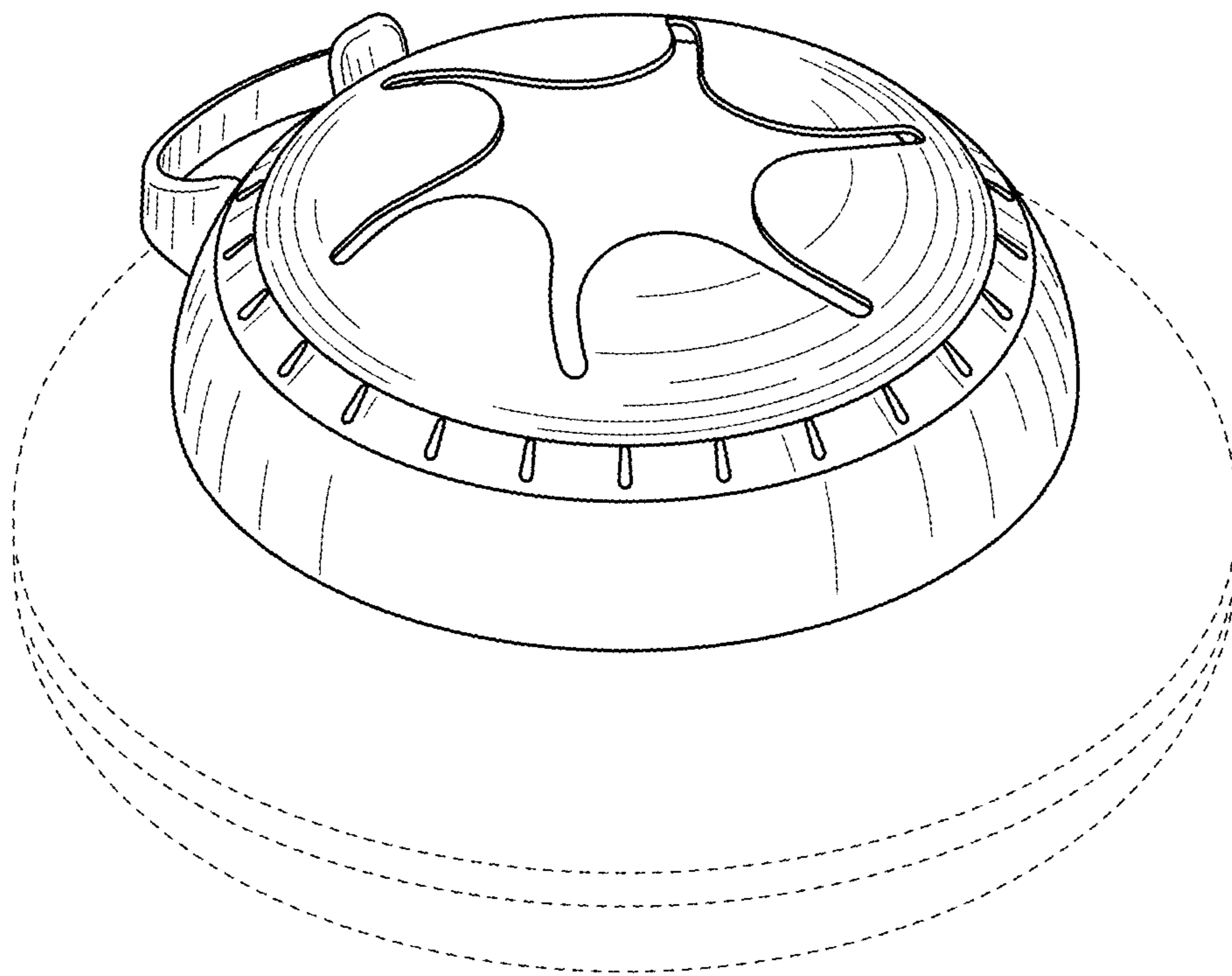


FIG. 1

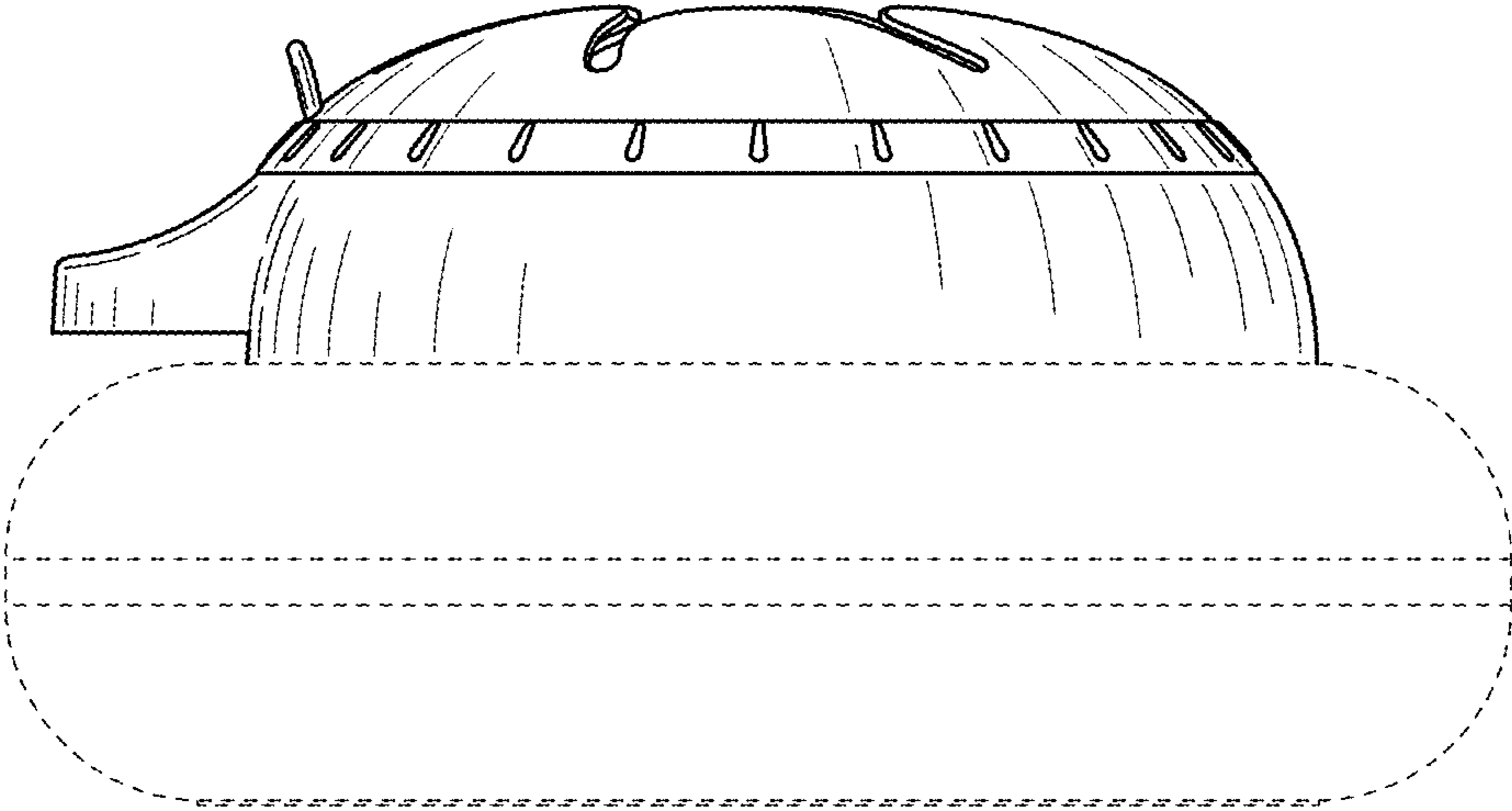


FIG. 2

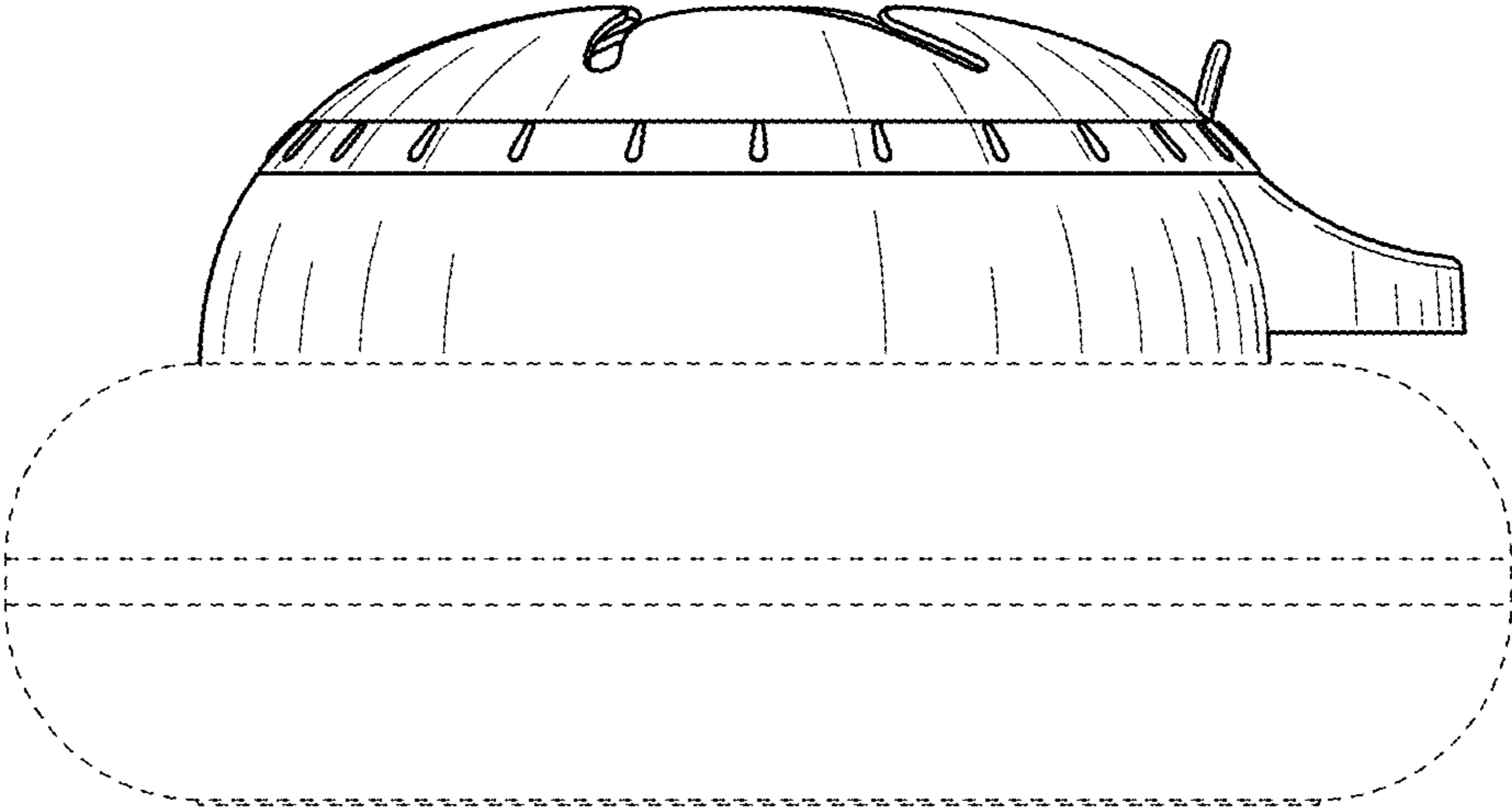


FIG. 3

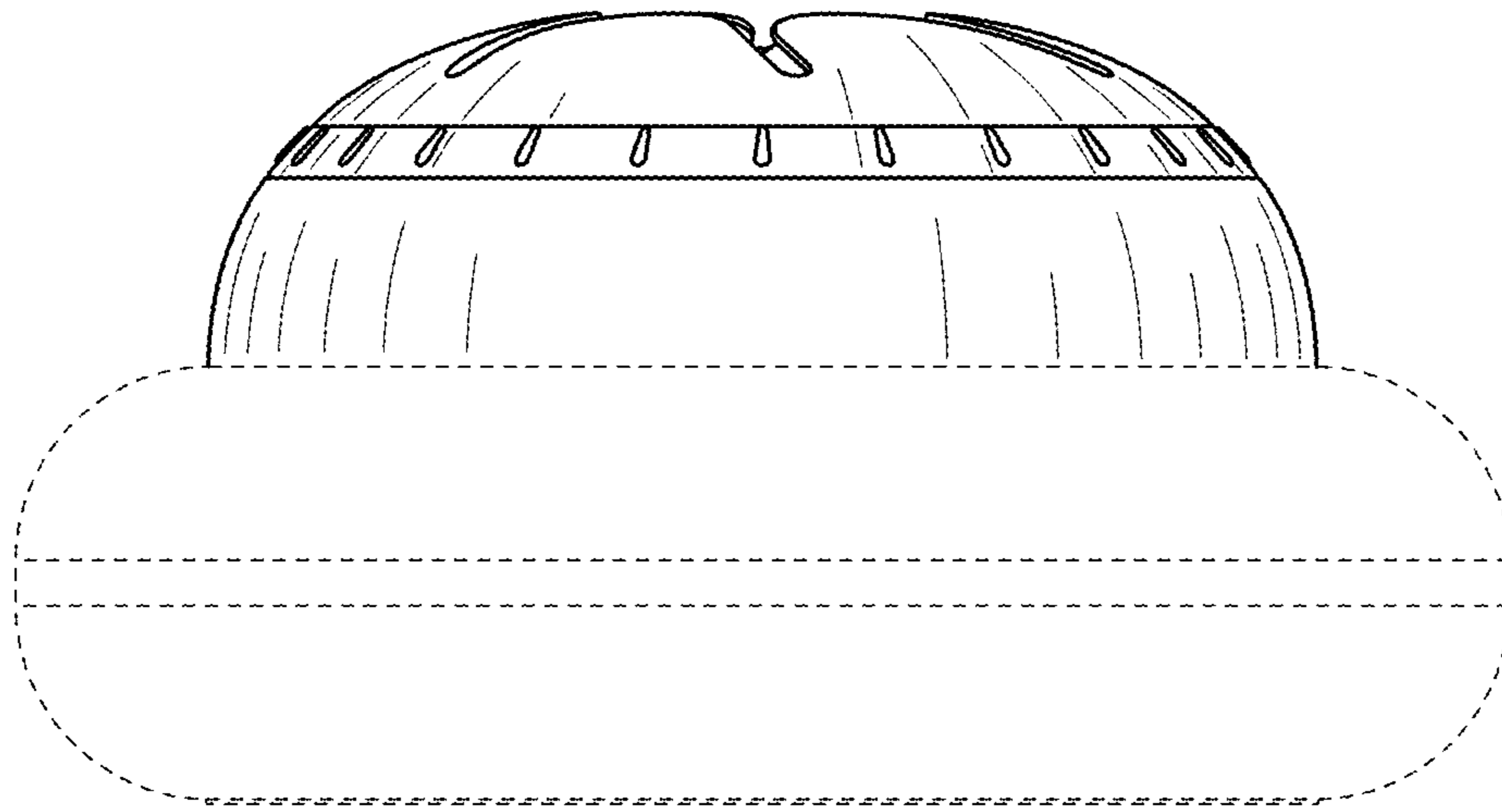


FIG. 4

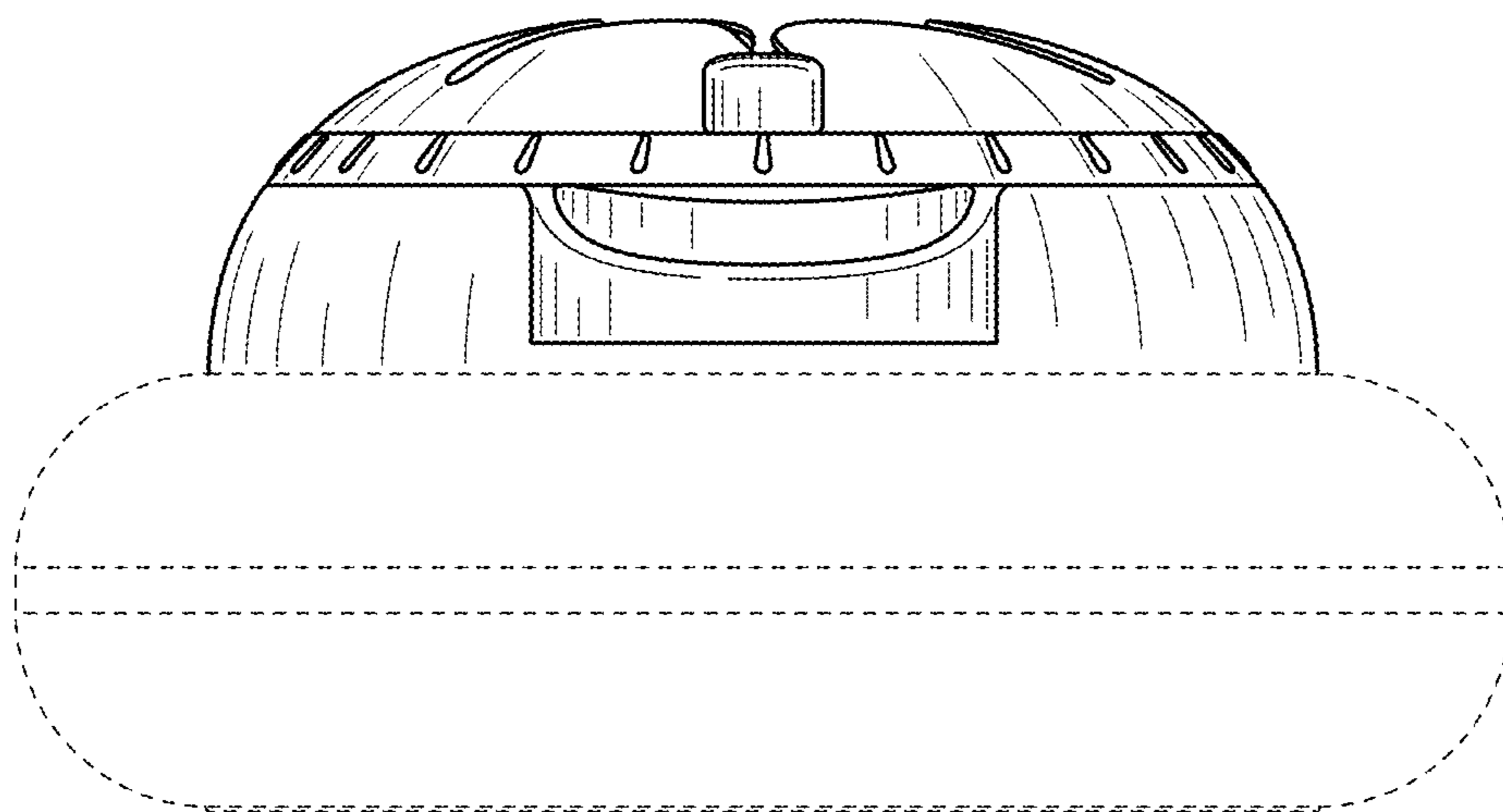


FIG. 5

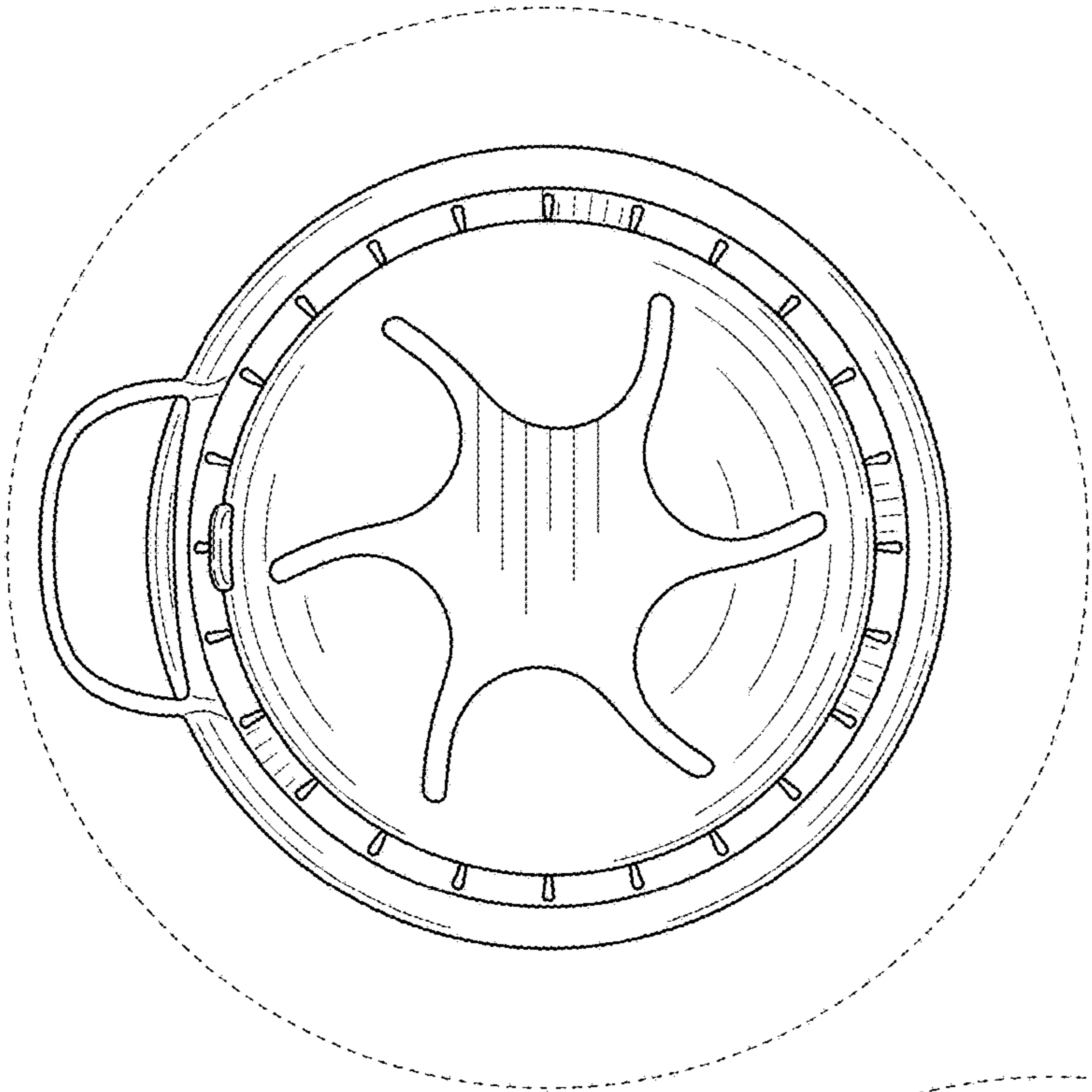


FIG. 6

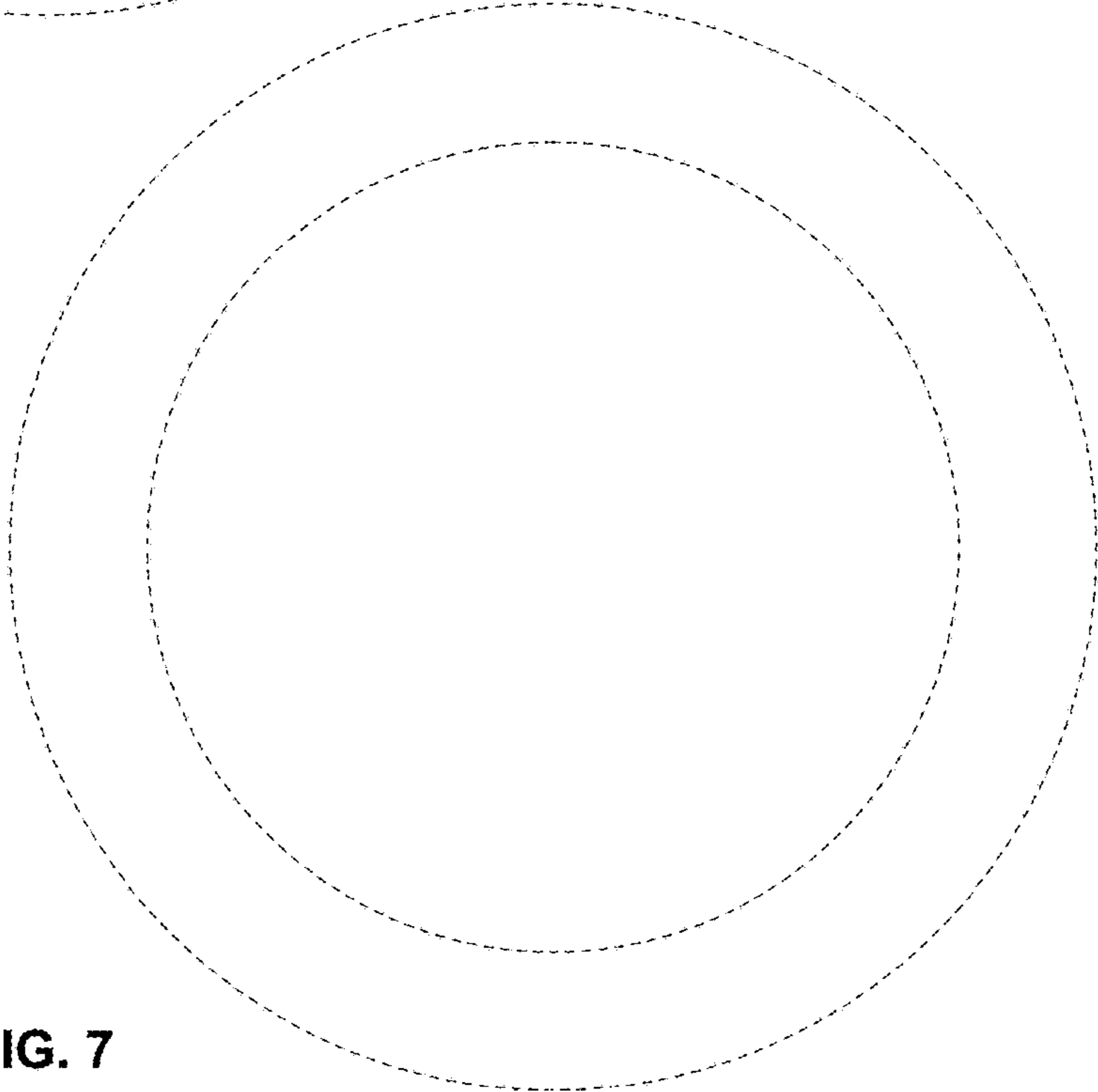


FIG. 7