

US00D803009S

(12) **United States Design Patent** (10) **Patent No.:** **US D803,009 S**
Sanghavi (45) **Date of Patent:** **** Nov. 21, 2017**

(54) **BEVERAGE CONTAINER HOLDER**

(71) Applicant: **Maulik M. Sanghavi**, Cranford, NJ (US)

(72) Inventor: **Maulik M. Sanghavi**, Cranford, NJ (US)

(**) Term: **15 Years**

(21) Appl. No.: **29/570,677**

(22) Filed: **Jul. 11, 2016**

(51) **LOC (10) Cl.** **07-06**

(52) **U.S. Cl.**
USPC **D7/624.1**

(58) **Field of Classification Search**
USPC D7/619.1-625
CPC B65D 81/3876; B65D 25/24; A47G 23/02;
A47G 23/0208; A47G 23/0216; A47G
23/0241; A47G 23/0225; A47G 23/03;
A47G 19/30; B60N 3/10
See application file for complete search history.

D616,249 S 5/2010 Galinski
8,087,528 B1 * 1/2012 Scarlett A47G 23/0216
220/23.89
8,746,486 B2 6/2014 Del Solar et al.
2006/0231698 A1 * 10/2006 Richardson B60N 3/10
248/146
2007/0181766 A1 8/2007 Sarullo
2007/0205205 A1 * 9/2007 Kliewer A47G 23/0225
220/737
2008/0011914 A1 1/2008 McCombs
2008/0087786 A1 4/2008 Oas
2008/0190948 A1 8/2008 Sayasithsena
2013/0306667 A1 * 11/2013 Chan A47G 19/30
220/810
2015/0060475 A1 3/2015 Mellentine

* cited by examiner

Primary Examiner — Terry A Wallace
(74) *Attorney, Agent, or Firm* — Chiesa Shahinian & Giantomasi PC

(57) **CLAIM**

The ornamental design for a beverage container holder, as shown and described.

(56) **References Cited**

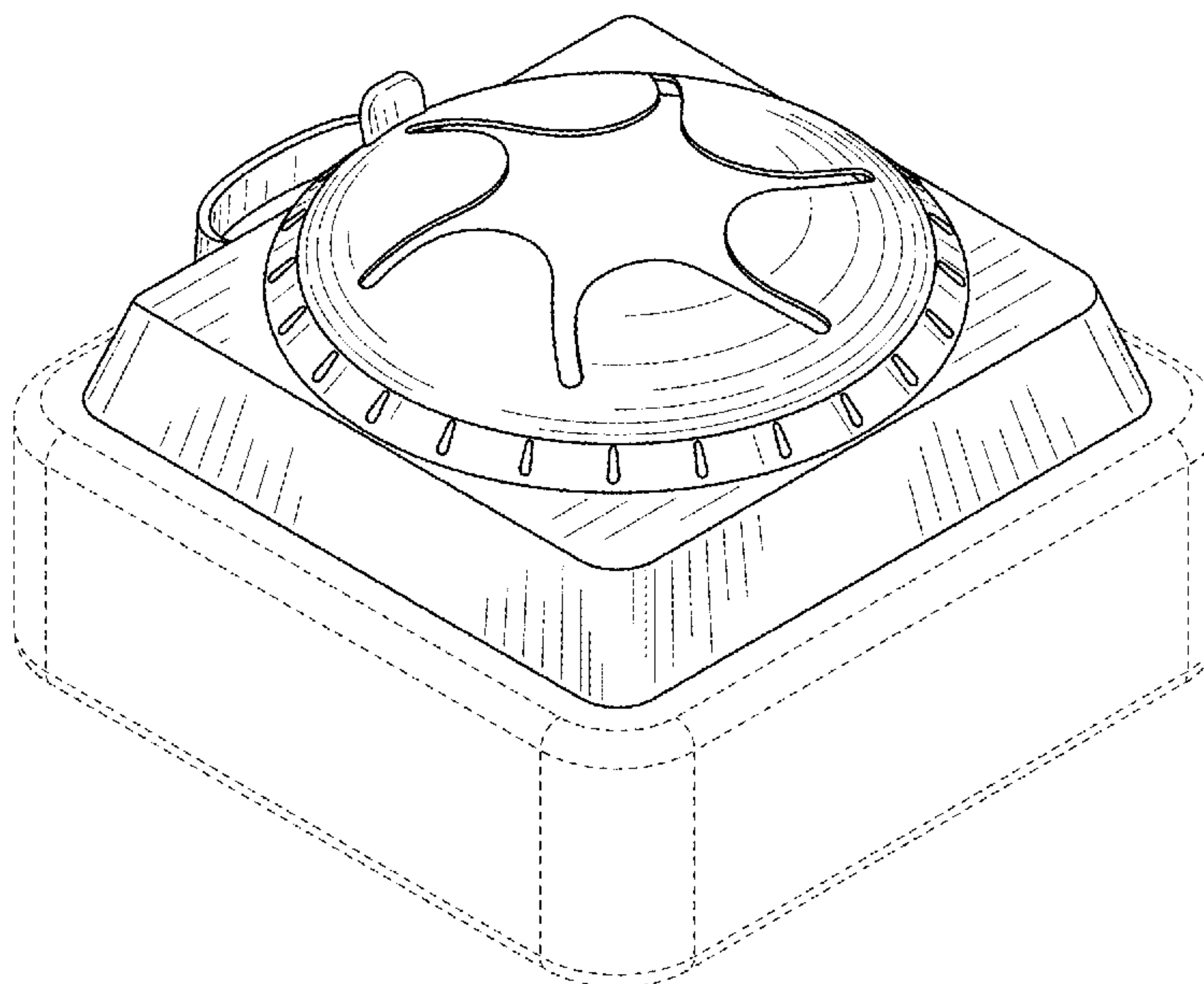
U.S. PATENT DOCUMENTS

3,028,702 A 4/1962 Cyr
4,163,374 A 8/1979 Moore et al.
4,600,112 A 7/1986 Shillington et al.
4,756,497 A 7/1988 Lan
4,889,302 A * 12/1989 Tucker A47G 23/0216
215/12.2
4,964,600 A 10/1990 Lee
5,135,195 A 8/1992 Dane
6,168,034 B1 1/2001 Perrone
6,581,888 B1 * 6/2003 Castillo A47G 23/0225
248/146
7,306,112 B2 12/2007 Shepard

DESCRIPTION

FIG. 1 is a front perspective view of a design for a beverage container holder;
FIG. 2 is a left side view thereof;
FIG. 3 is a right side view thereof;
FIG. 4 is a front view thereof;
FIG. 5 is a rear view thereof;
FIG. 6 is a top view thereof; and,
FIG. 7 is a bottom view thereof.
Any broken lines shown in the drawings are for illustrative purposes only and do not form part of the claimed design.

1 Claim, 4 Drawing Sheets



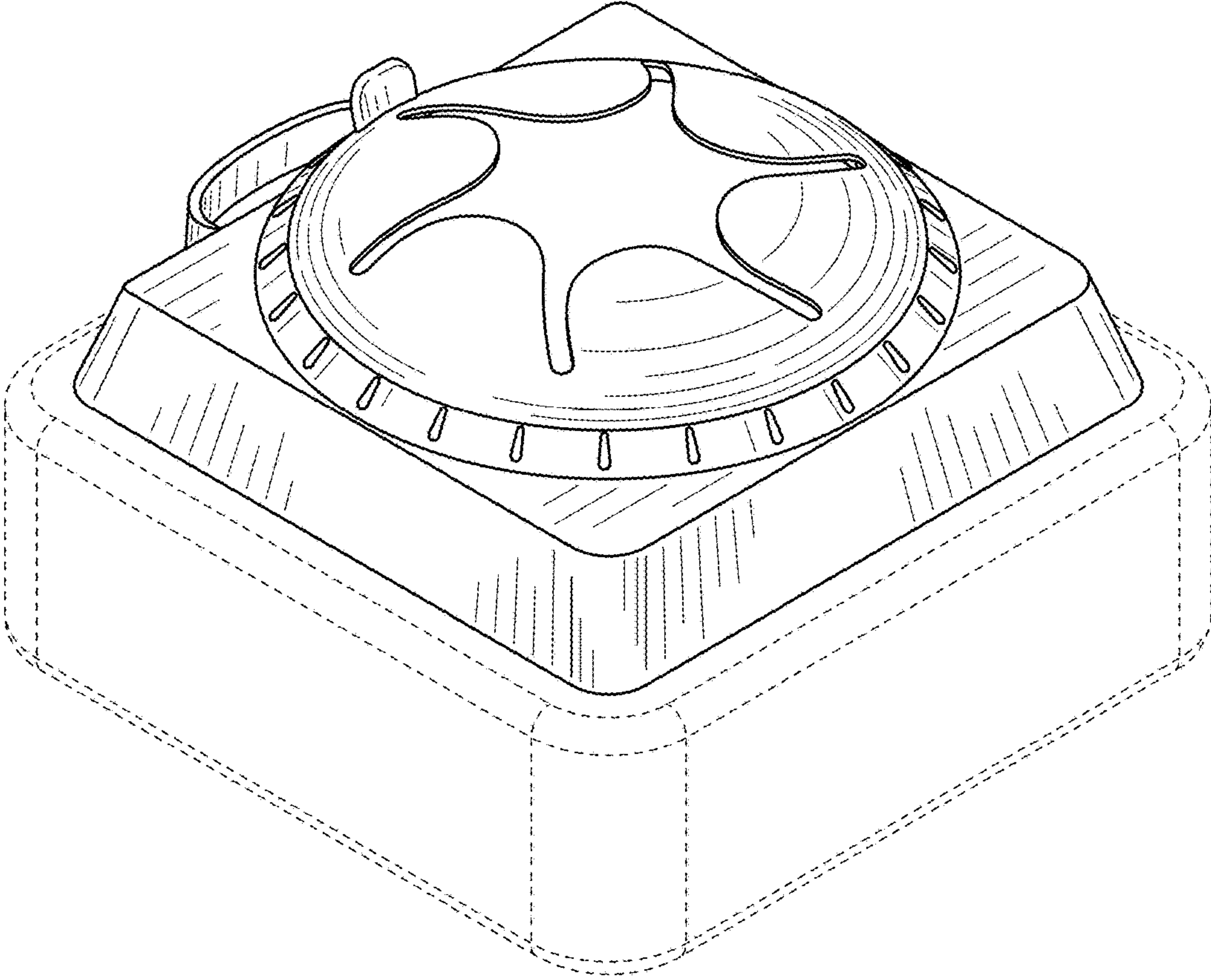


FIG. 1

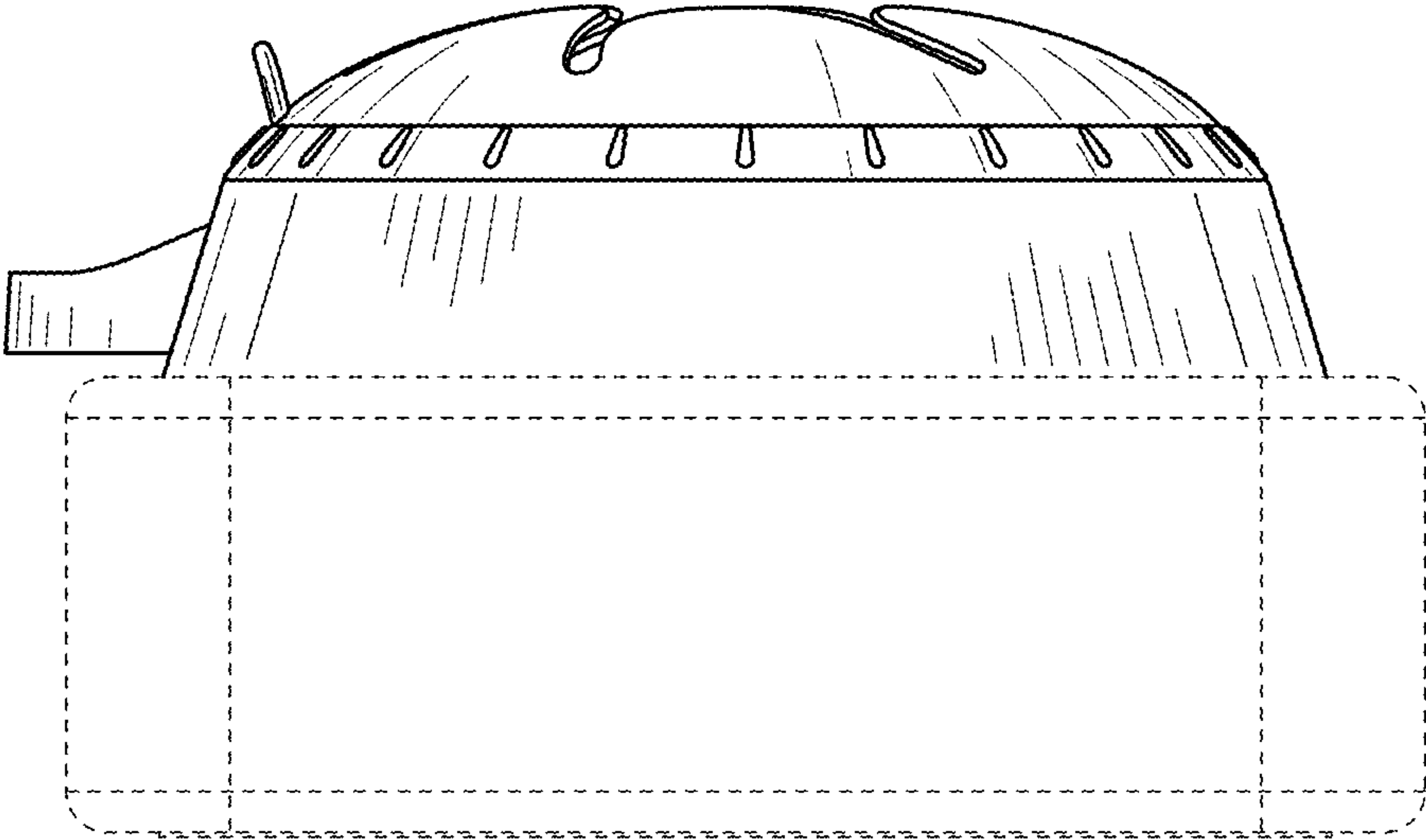


FIG. 2

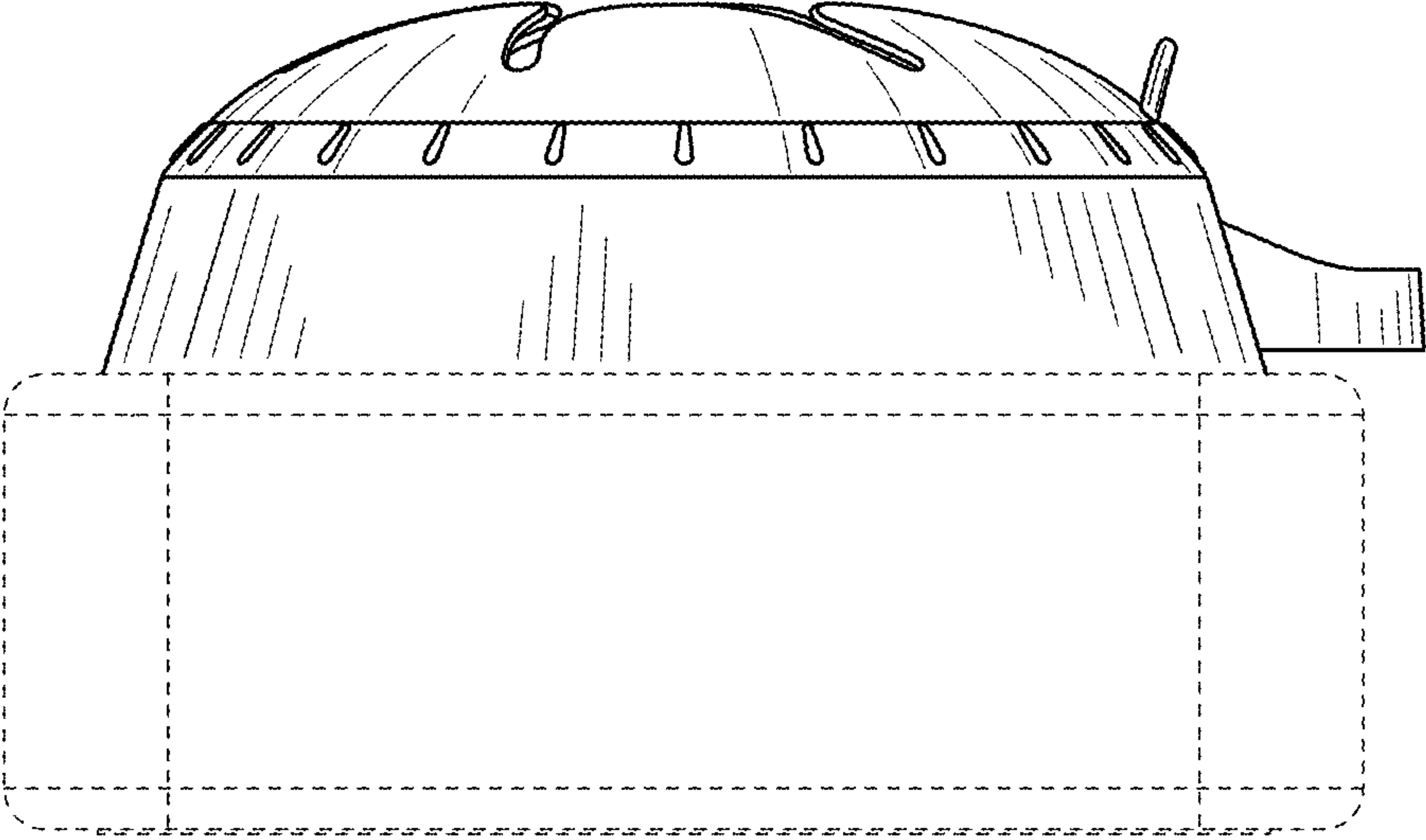


FIG. 3

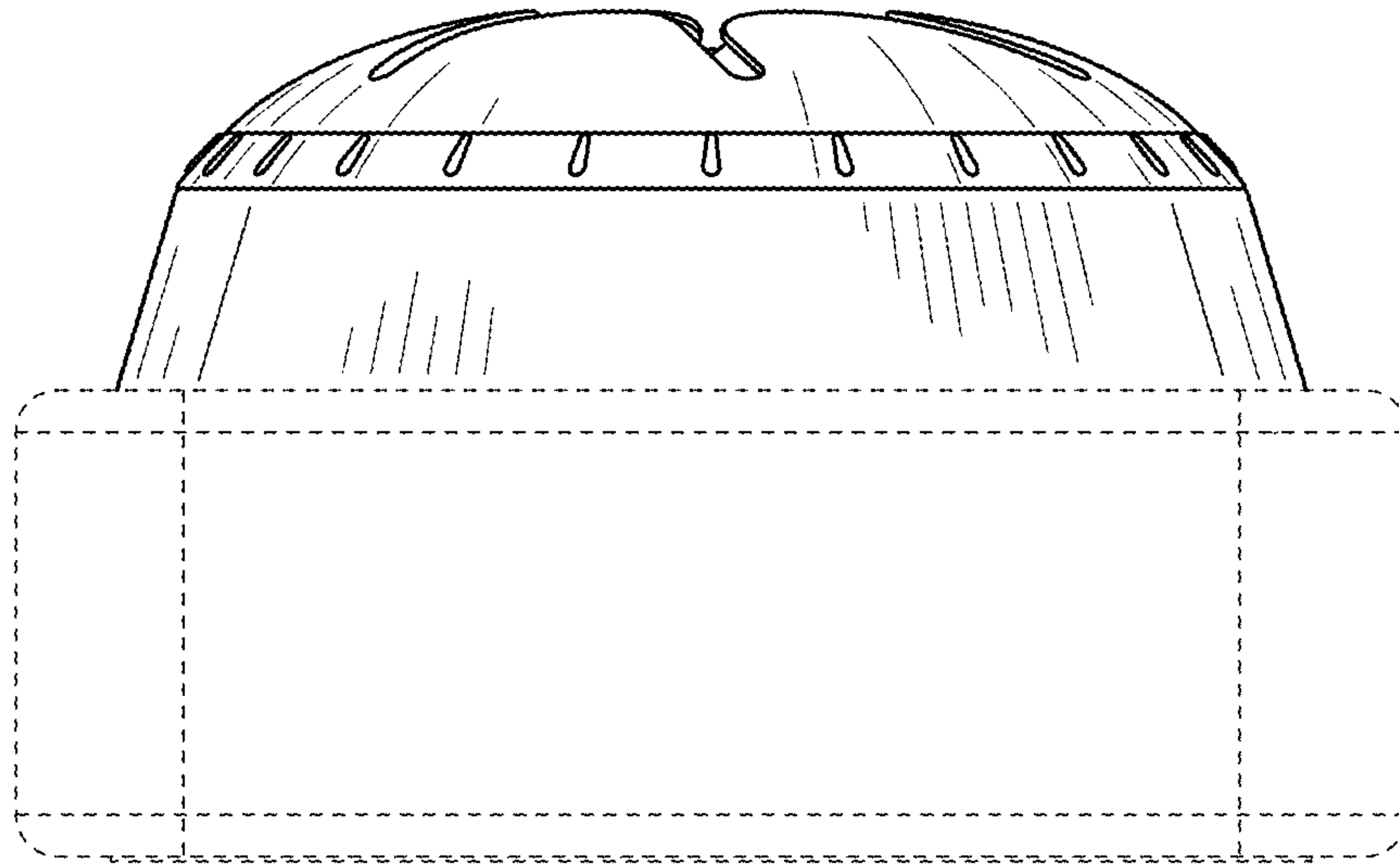


FIG. 4

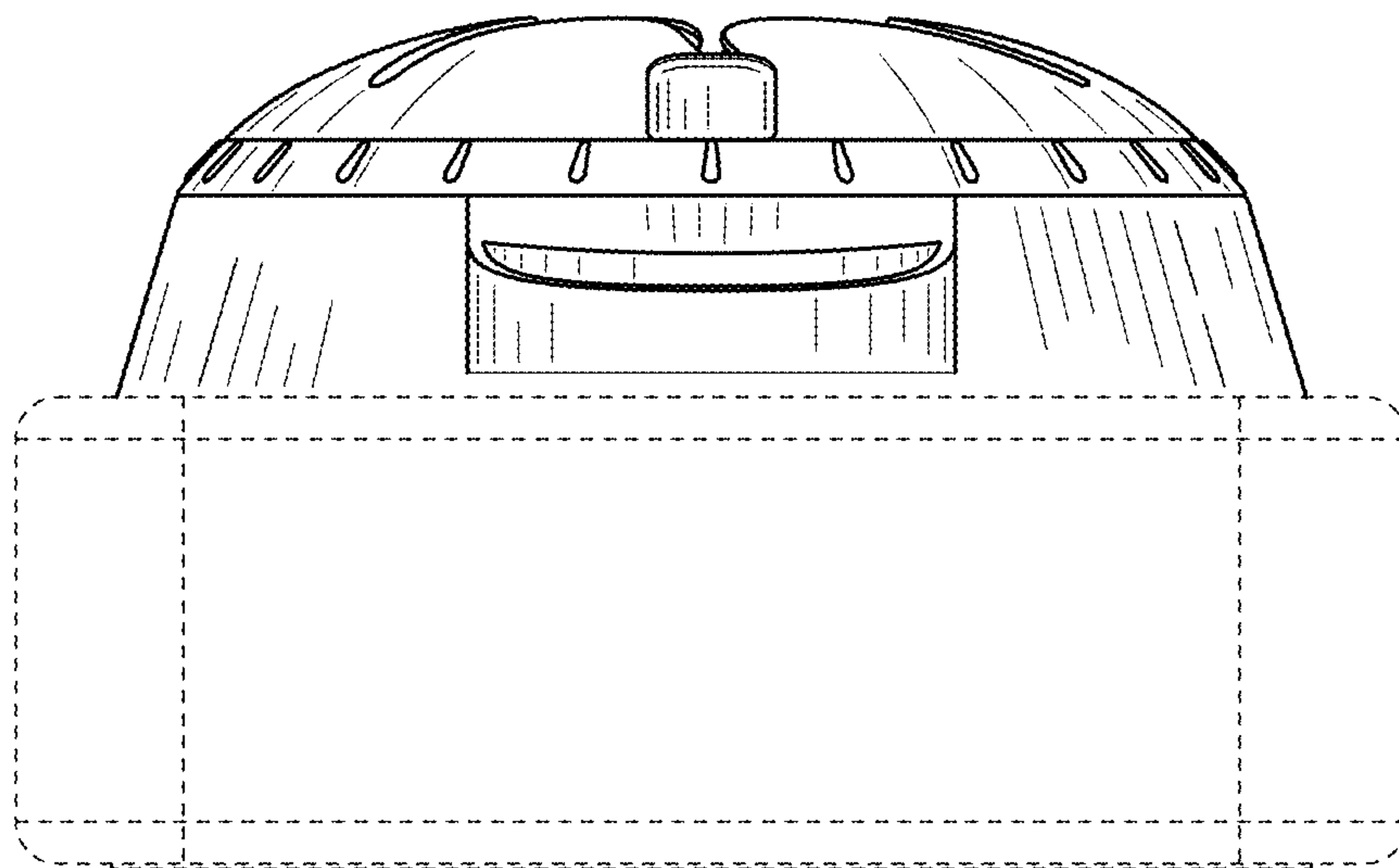


FIG. 5

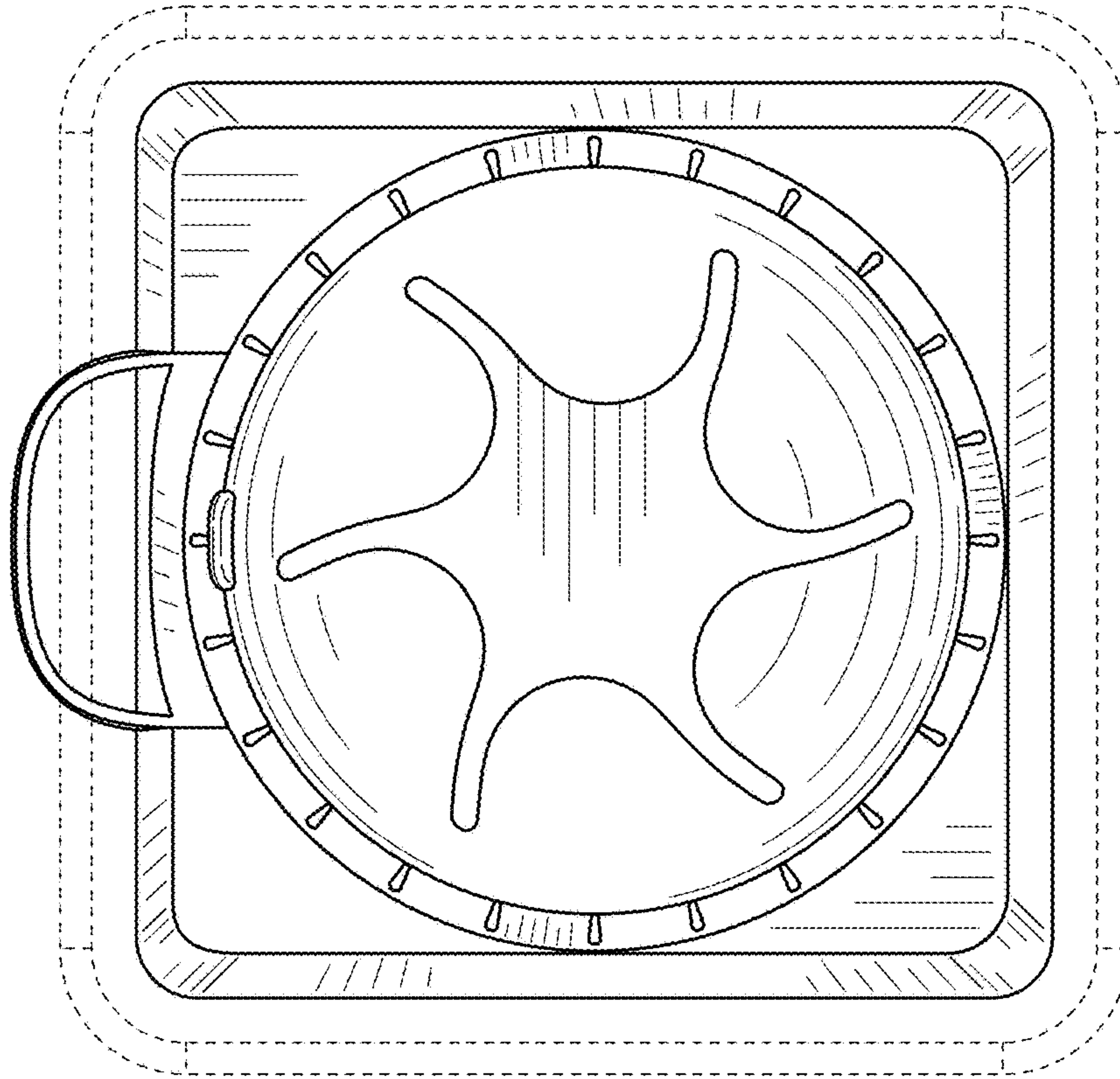


FIG. 6

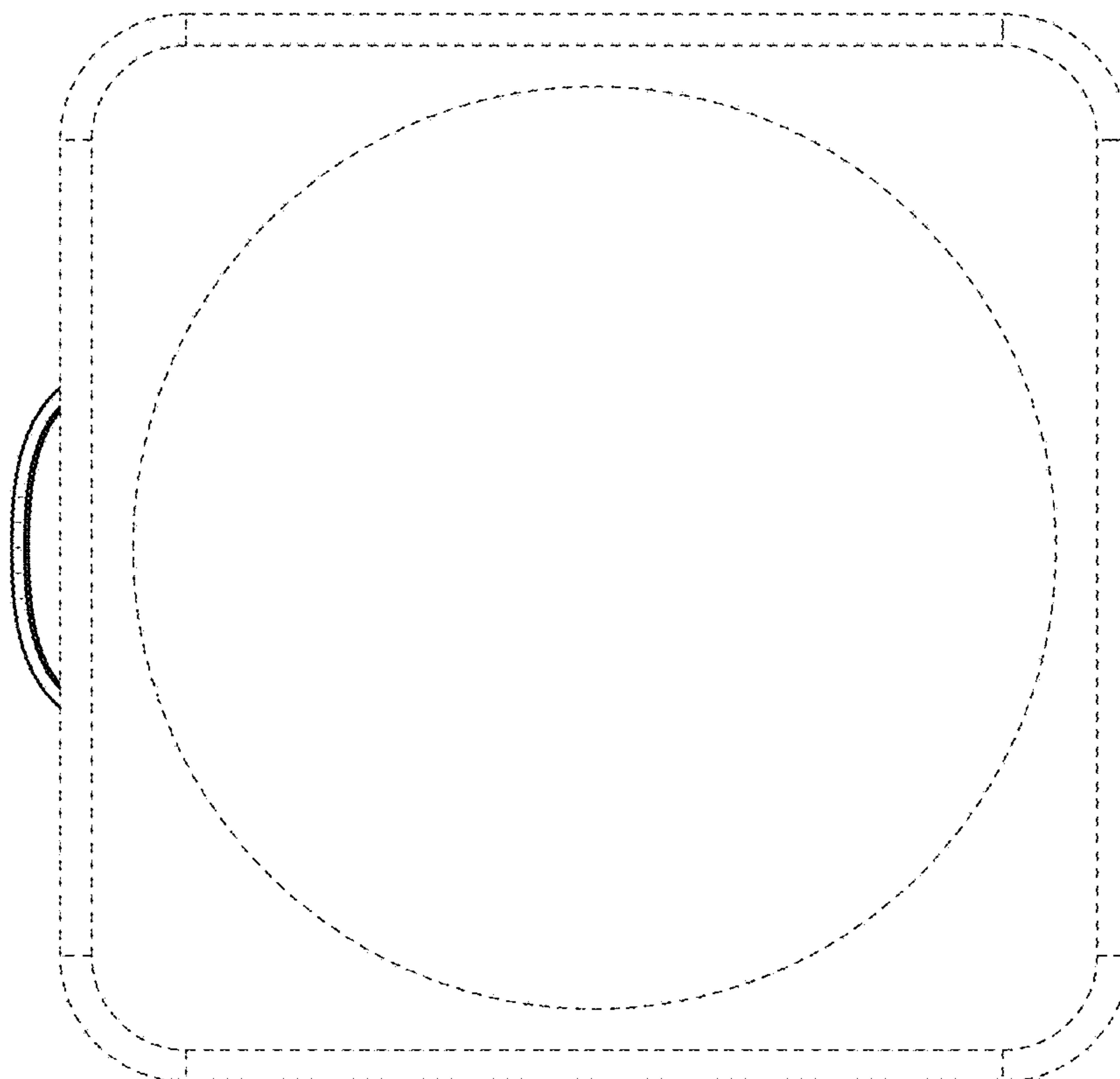


FIG. 7