



US00D803007S

(12) **United States Design Patent**
Liao et al.

(10) **Patent No.:** **US D803,007 S**

(45) **Date of Patent:** **** Nov. 21, 2017**

(54) **DISPLAY FOR BAKED GOODS**

23/0691; A47G 23/08; A47G 29/00;
A47G 19/00; A47B 57/00

(71) Applicant: **DEFLECTO, LLC**, Indianapolis, IN
(US)

See application file for complete search history.

(72) Inventors: **Joe Liao**, Foshan (CN); **Danielle N
Rodgers**, Indianapolis, IN (US);
Patrick Foley, Fishers, IN (US)

(56) **References Cited**

U.S. PATENT DOCUMENTS

668,522 A * 2/1901 Jolly A47B 11/00
108/95
D41,027 S * 12/1910 Krebs D7/558
2,220,285 A * 11/1940 Rodd A47G 23/0208
248/313
D149,046 S * 3/1948 Blumenthal et al. D7/501
2,470,749 A * 5/1949 Emerson A47F 5/02
108/105
D160,688 S * 10/1950 Brock 211/128.1

(73) Assignee: **DEFLECTO, LLC**, Indianapolis, IN
(US)

(**) Term: **14 Years**

(Continued)

(21) Appl. No.: **29/513,692**

(22) Filed: **Jan. 5, 2015**

(51) **LOC (10) Cl.** **07-07**

(52) **U.S. Cl.**
USPC **D7/610**

(58) **Field of Classification Search**
USPC D7/610, 500, 505, 543, 544, 545, 546,
D7/547, 548, 549, 550.1, 551.1, 601, 602,
D7/605, 606, 607, 608, 609, 613, 614,
D7/615, 701, 702, 703, 704, 705, 706,
D7/707, 708, 709, 710, 628, 630, 501,
D7/554.4, 558, 586, 631, 632, 634
CPC A47G 21/001; A47G 21/00; A47G 21/007;
A47G 21/14; A47G 21/16; A47G 21/145;
A47G 23/00; A47G 23/02; A47G
23/0208; A47G 23/0241; A47G 23/0258;
A47G 23/0266; A47G 23/03; A47G
23/04; A47G 23/0313; A47G 23/0316;
A47G 2023/0275; A47G 23/06; A47G
23/0616; A47G 23/0625; A47G 23/0641;
A47G 23/065; A47G 23/0683; A47G

OTHER PUBLICATIONS

Aliexpress.com : Buy Free Shipping 100pcs 3 Tier Paper Cake
Holder, [online], retrieved on Apr. 29, 2016. Retrieved from, <URL:
http://www.aliexpress.com/store/product/Free-Shipping-100pcs-3-Tier-Paper-Cake-Holder-Wedding-Baby-Shower-Christmas-Decoration-Party-Cupcake-Stand/1045181_32215960485.html>, 1
page.*

(Continued)

Primary Examiner — Lakiya G Rogers
Assistant Examiner — Shannon W Morgan
(74) *Attorney, Agent, or Firm* — Dentons US LLP

(57) **CLAIM**

The ornamental design for a display for baked goods, as
shown and described.

DESCRIPTION

FIG. 1 is a top, perspective view of a display for baked goods
showing our new design;
FIG. 2 is a bottom, perspective view thereof;
FIG. 3 is a top plan view thereof;
FIG. 4 is a bottom plan view thereof;

(Continued)

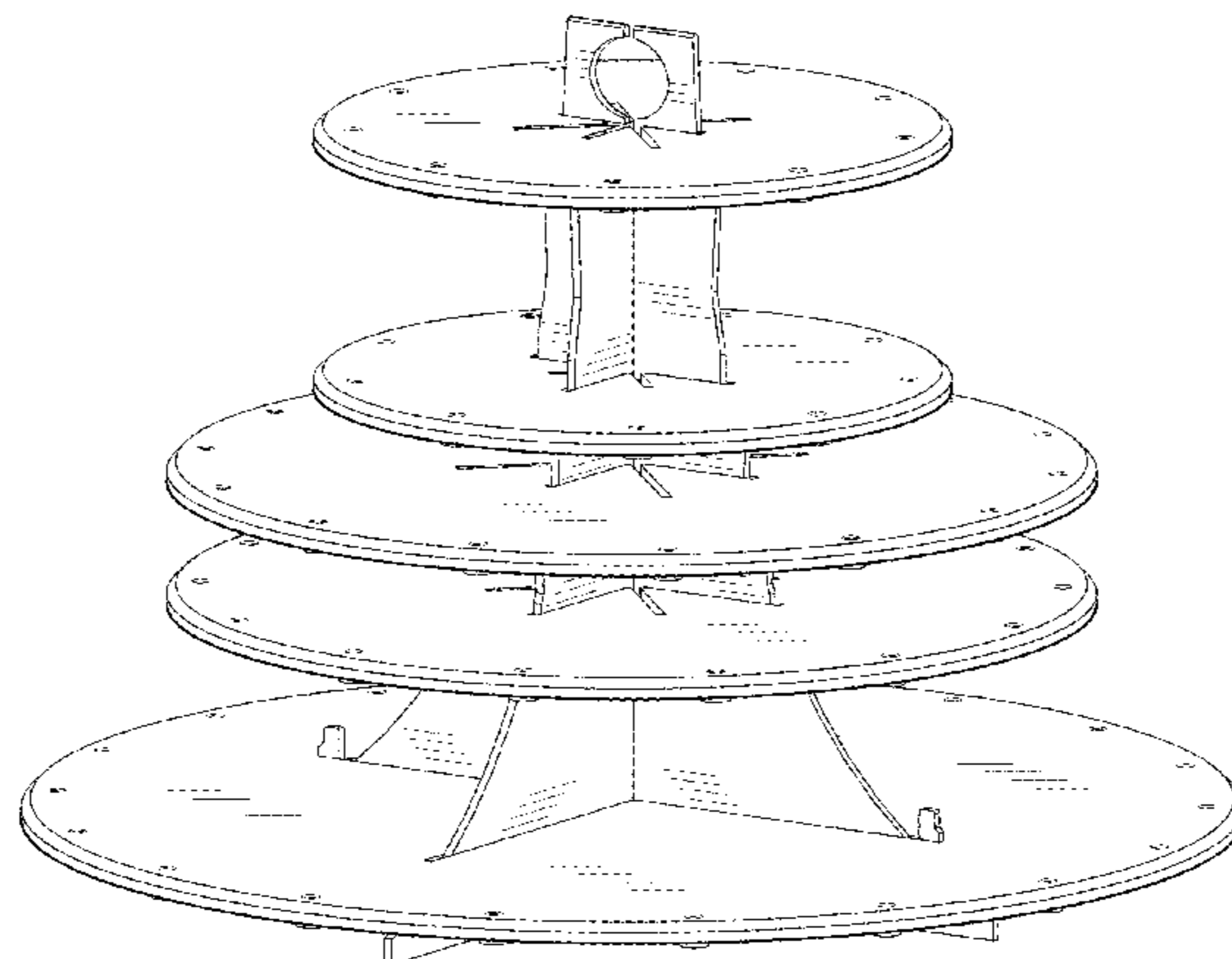


FIG. 5 is a left-side elevational view thereof; (the right-side view being an identical mirror image thereof; and, FIG. 6 is a front elevational view thereof; the rear, elevational view being an identical mirror image thereof.

1 Claim, 6 Drawing Sheets

(56)

References Cited

U.S. PATENT DOCUMENTS

2,902,174 A * 9/1959 Audsley A47G 23/08
108/101
2,955,372 A * 10/1960 Anthrop G09F 1/14
211/45
D195,072 S * 4/1963 Kolarik D28/76
3,115,253 A * 12/1963 Malbin A63B 9/00
211/128.1
D198,096 S * 4/1964 Rosenthal et al. D7/505
3,139,189 A * 6/1964 Kolarik A47F 5/02
108/103
D200,117 S * 1/1965 Kolarik D7/501
3,169,496 A * 2/1965 Muggli A47G 23/08
108/101
3,814,032 A * 6/1974 McMains A47G 19/00
108/101
3,912,249 A * 10/1975 Vaca A47G 19/30
118/500
3,951,079 A * 4/1976 Tolleson A47G 23/08
108/94
4,227,467 A * 10/1980 Kindsfather A47G 23/06
108/101
4,334,623 A * 6/1982 Geary A47G 23/0208
211/131.1
D271,655 S * 12/1983 Numbers D7/707

D362,787 S * 10/1995 Burke D7/501
D401,810 S * 12/1998 Swift D6/677.1
7,287,870 B1 * 10/2007 Knoch G09F 13/04
362/806
D577,962 S * 10/2008 Bauer D7/552.2
D614,002 S * 4/2010 Heap D7/610
D658,011 S * 4/2012 Goode D7/610
D664,010 S * 7/2012 Goode D7/610
D668,917 S * 10/2012 Berzak D7/631
8,490,553 B1 * 7/2013 English A47G 19/00
108/101
2011/0220599 A1 * 9/2011 Siahpush A47F 5/02
211/85.4
2011/0303131 A1 * 12/2011 Goode A47G 19/00
108/101
2013/0136829 A1 * 5/2013 Kandel A47G 19/00
426/132

OTHER PUBLICATIONS

Hot Sale!New product Cartoon Cake Stand, [online], retrieved on Apr. 29, 2016. Retrieved from, <URL: <http://www.paperstrawsoutlet.com/W-product-Cartoon-Cake-Stand-birthday-baby-shower-party-cardboard-cupcake-holder,Decorative-cupcake-stand-for-different-Parties-463.html>>, 1 page.*
Blue dotted cup cake stand 3 tier cupcake holder, [online], retrieved on Apr. 29, 2016. Retrieved from, <URL: <http://www.aliexpress.com/item/wholesale-bulk-order-3-tier-ash-bottom-white-paper-board-1-piece-bag-cake-decorating-supplies/32325355030.html>>, 1 page.*
New arrive stronger paper cupcake shelf/cupcake stand, [online], retrieved on Apr. 29, 2016. Retrieved from, <URL: <http://www.paperstrawsoutlet.com/new-arrive-stronger-paper-cupcake-shelf-cupcake-stand-cake-accessory-cupcake-holder-free-shipping-458.html>>, 1 page.*

* cited by examiner

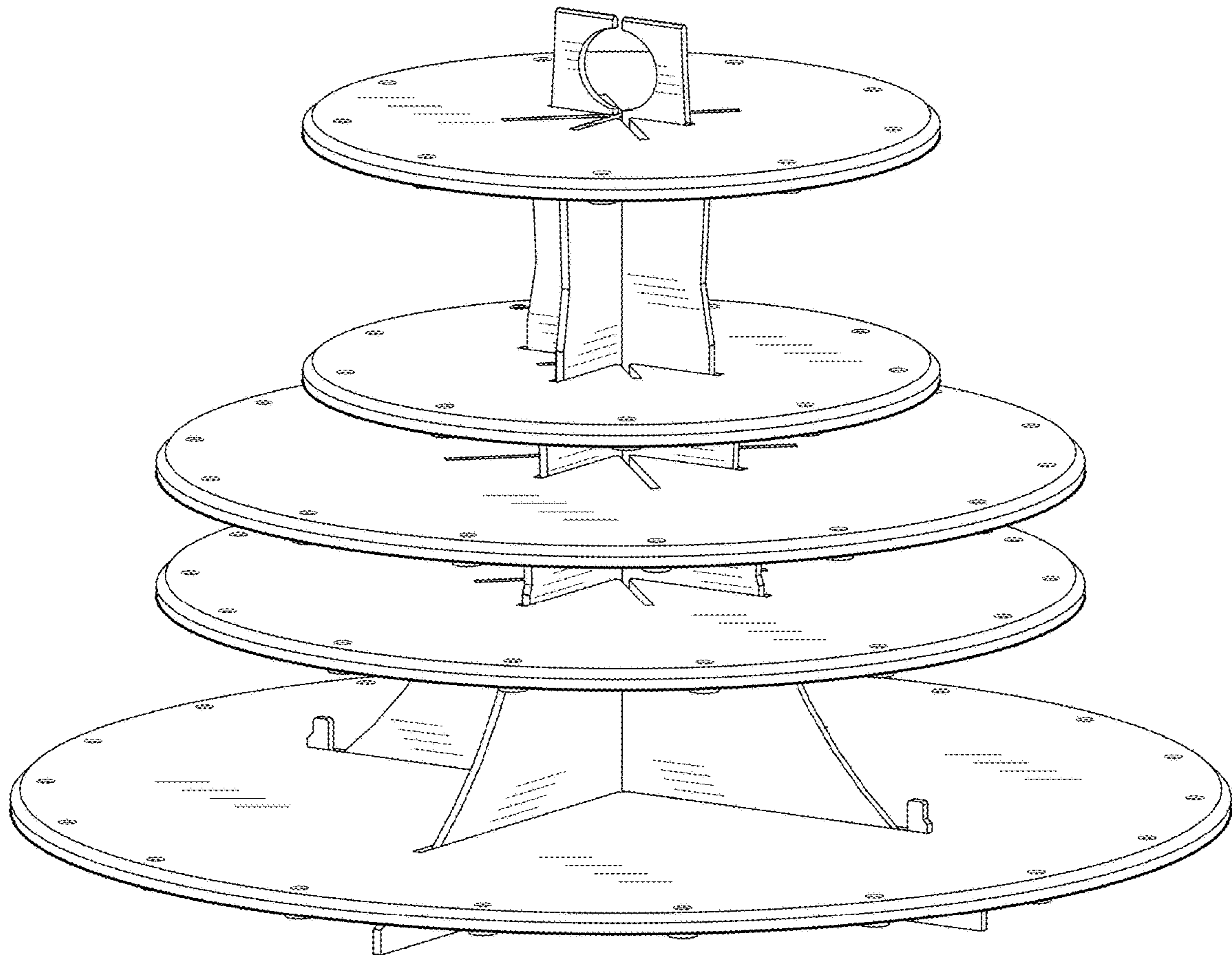


FIG. 1

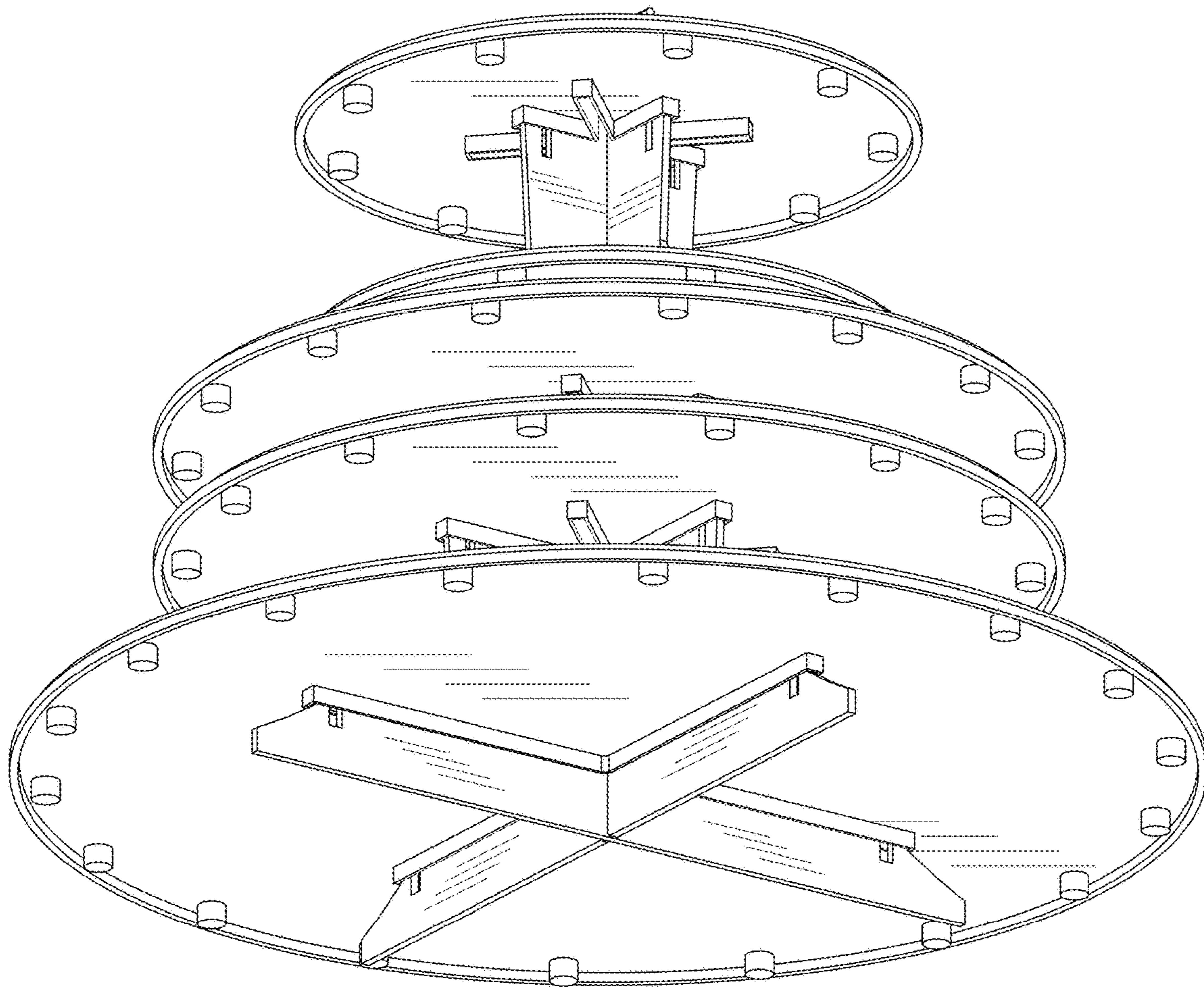


FIG. 2

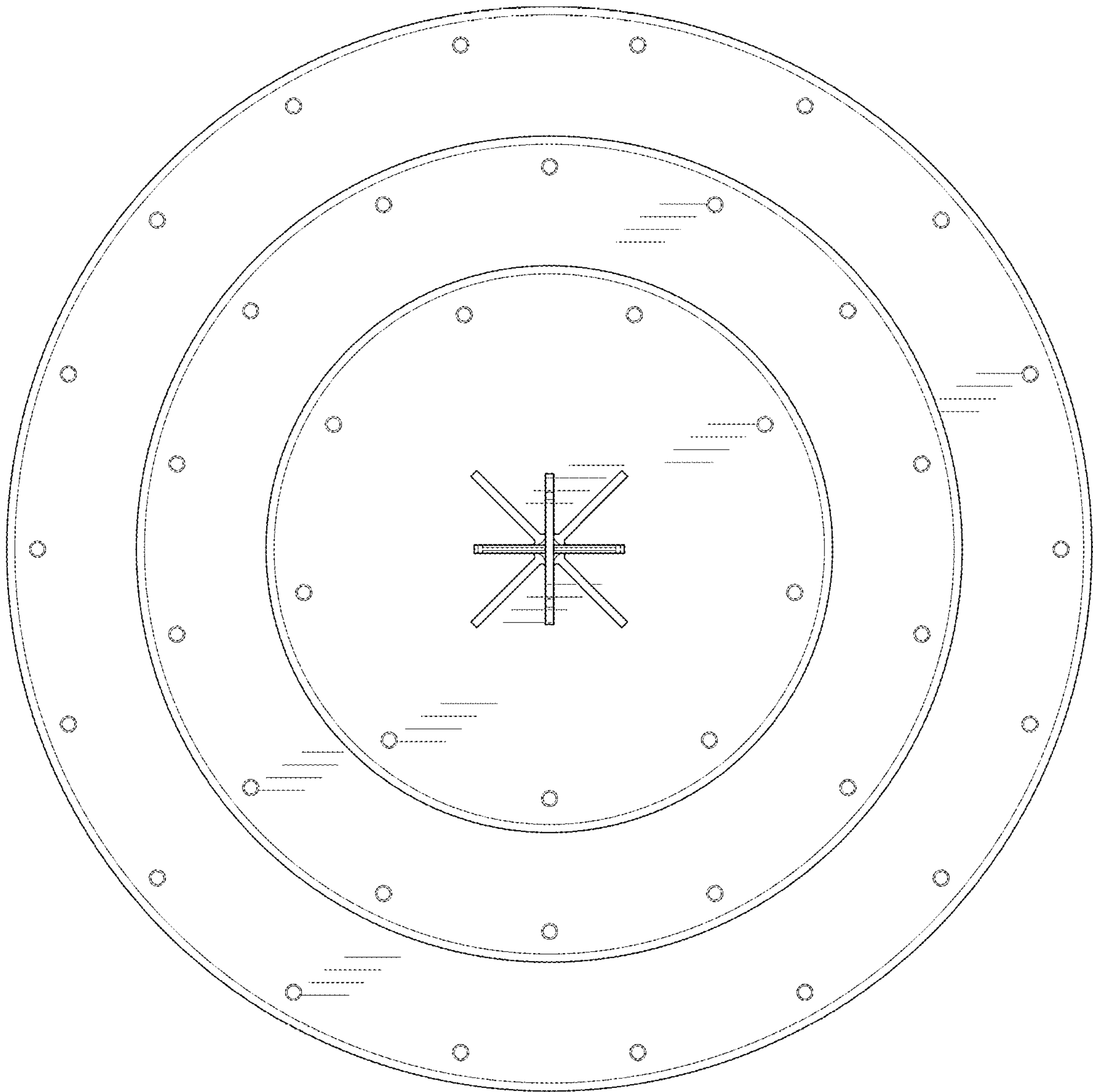


FIG. 3

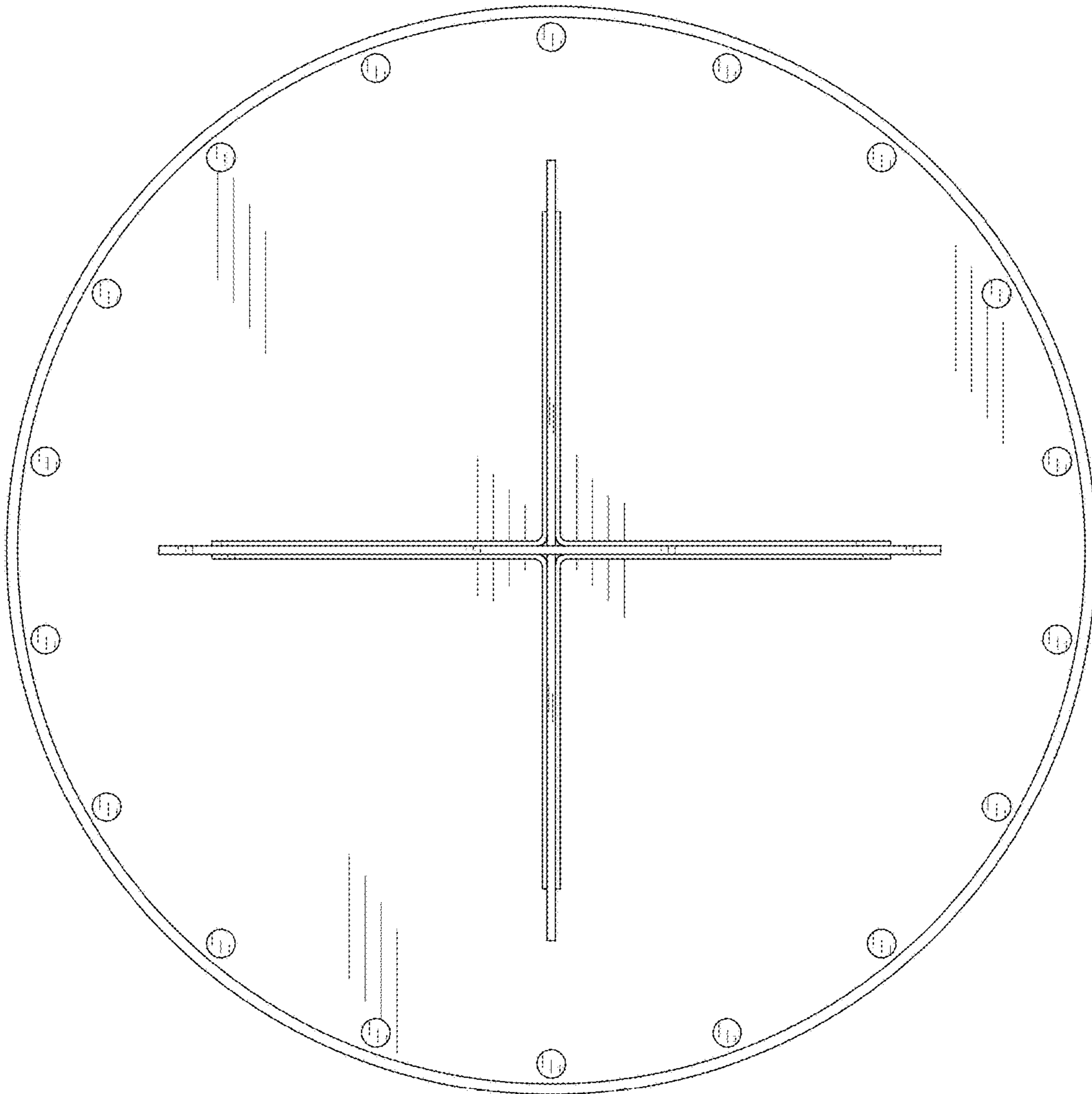


FIG. 4

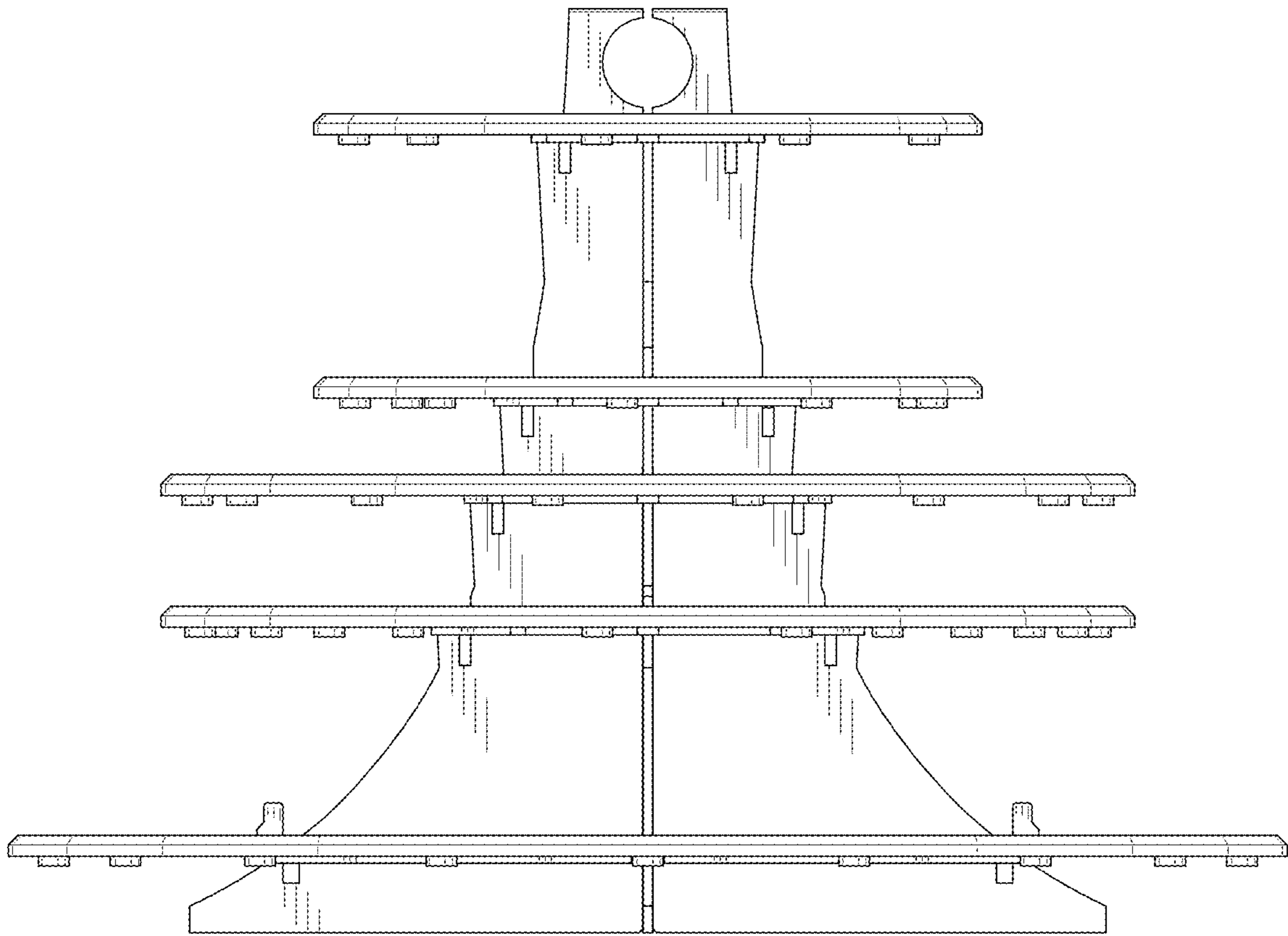


FIG. 5

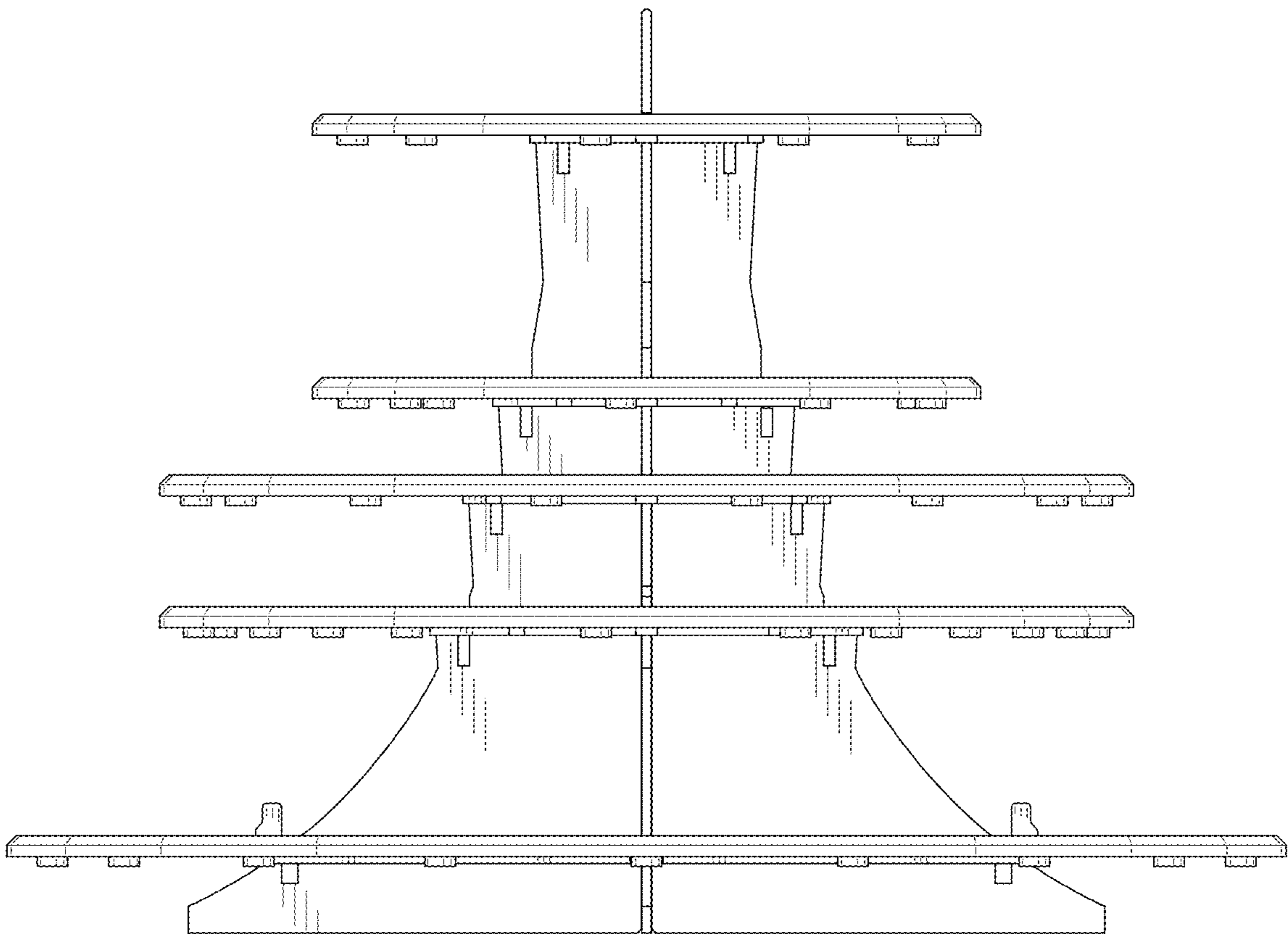


FIG. 6