



US00D803006S

(12) **United States Design Patent** (10) **Patent No.:** **US D803,006 S**
Min et al. (45) **Date of Patent:** **** Nov. 21, 2017**

(54) **CONTAINER FOR HEATING AND COOLING FOODS AND BEVERAGES**

2005/0035125 A1* 2/2005 Bae B65D 43/0218
220/326

(71) Applicants: **Kristen Yoohee Min**, Wauconda, IL (US); **Jee Yeon Yoo Kim**, Barrington, IL (US)

* cited by examiner

Primary Examiner — Terry A Wallace

(74) *Attorney, Agent, or Firm* — Michael McGreal

(72) Inventors: **Kristen Yoohee Min**, Wauconda, IL (US); **Jee Yeon Yoo Kim**, Barrington, IL (US)

(57) **CLAIM**

The ornamental design for container for heating and cooling foods and beverages, as shown and described.

(73) Assignee: **INNOBABY LLC**, Barrington, IL (US)

DESCRIPTION

(**) Term: **15 Years**

(21) Appl. No.: **29/620,157**

(22) Filed: **Jul. 26, 2016**

(51) **LOC (10) Cl.** **07-07**

(52) **U.S. Cl.**
USPC **D7/608; D7/629**

(58) **Field of Classification Search**
USPC D7/605–608, 602, 629, 538–542, 391,
D7/392, 392.1

CPC B65D 43/0218; B65D 45/20; B29C
45/0025; A45C 5/04; A45C 11/16; A45C
11/20

See application file for complete search history.

FIG. 1 is a front and rear elevation view of the container for heating and cooling foods and beverages of our design assembled.

FIG. 2 is a right and left side elevation view thereof.

FIG. 3 is a front exploded view thereof showing a closure, inner container and an outer container.

FIG. 4 is a left side exploded view thereof showing a closure, inner container and an outer container.

FIG. 5 is a rear exploded view thereof showing a closure, inner container and an outer container.

FIG. 6 is a left side exploded view thereof showing a closure, inner container and an outer container.

FIG. 7 is a top plan view of the closure.

FIG. 8 is a bottom view of the closure.

FIG. 9 is a top plan view of the inner container.

FIG. 10 is a bottom plan view of the inner container.

FIG. 11 is a top plan view of the outer container.

FIG. 12 a bottom plan view of the outer container.

FIG. 13 is an exploded perspective view thereof; and,

FIG. 14 is an exploded perspective view thereof showing a heating/cooling unit in the outer container.

The broken line showing of the periphery of the heating/cooling unit is for illustrative purposes only to show environment and form no part of the claimed design. No specific color is claimed.

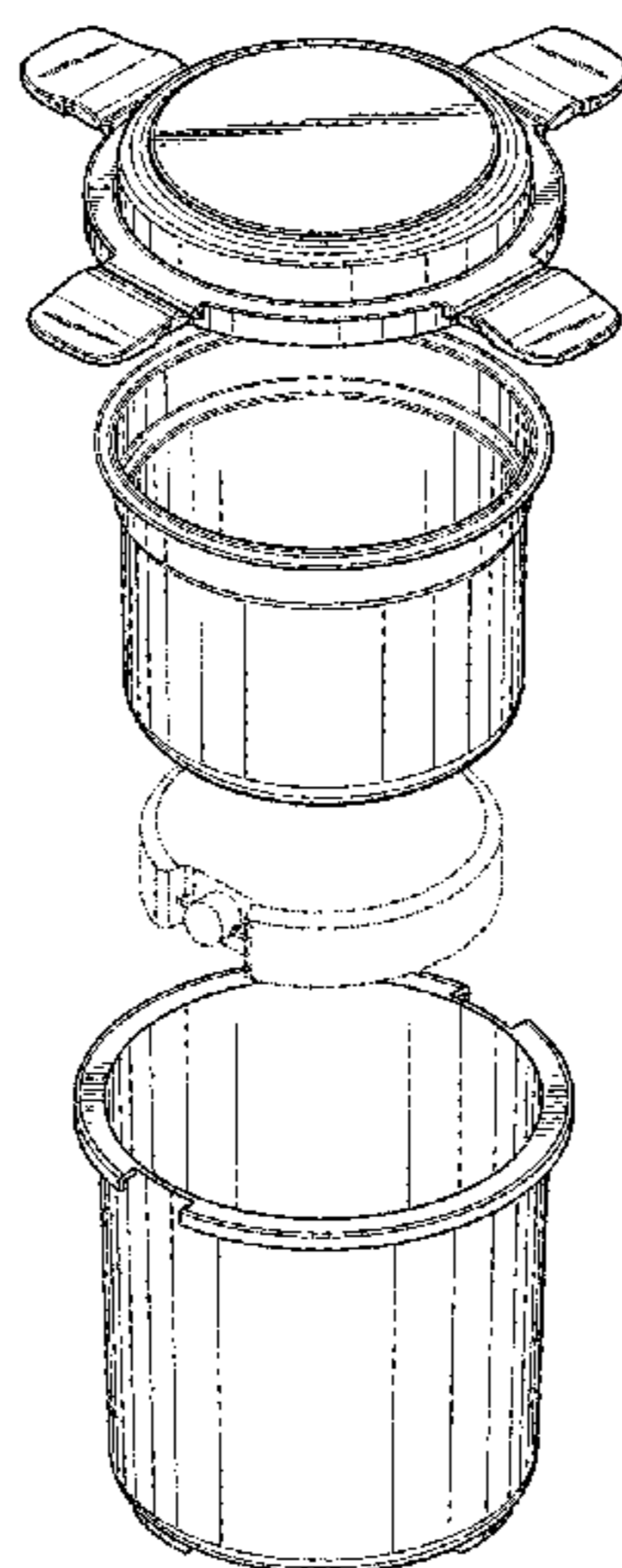
The inner and outer containers and closure are shown separately for clarity of illustration.

(56) **References Cited**

U.S. PATENT DOCUMENTS

D488,031 S *	4/2004	Kim	D7/629
D543,412 S *	5/2007	Munson	D7/354
D568,102 S *	5/2008	Ruiz de Az a	D7/316
D606,813 S *	12/2009	Kim	D7/629
D631,708 S *	2/2011	Smyers	D7/629
D633,757 S *	3/2011	Smyers	D7/629
D636,641 S *	4/2011	Smyers	D7/629
D647,360 S *	10/2011	Smyers	D7/391
D660,095 S *	5/2012	Kyung	D7/629
D694,589 S *	12/2013	Duvigneau	D7/629
D708,021 S *	7/2014	Heiberg	D7/629
D762,087 S *	7/2016	Cross	D7/629

1 Claim, 10 Drawing Sheets



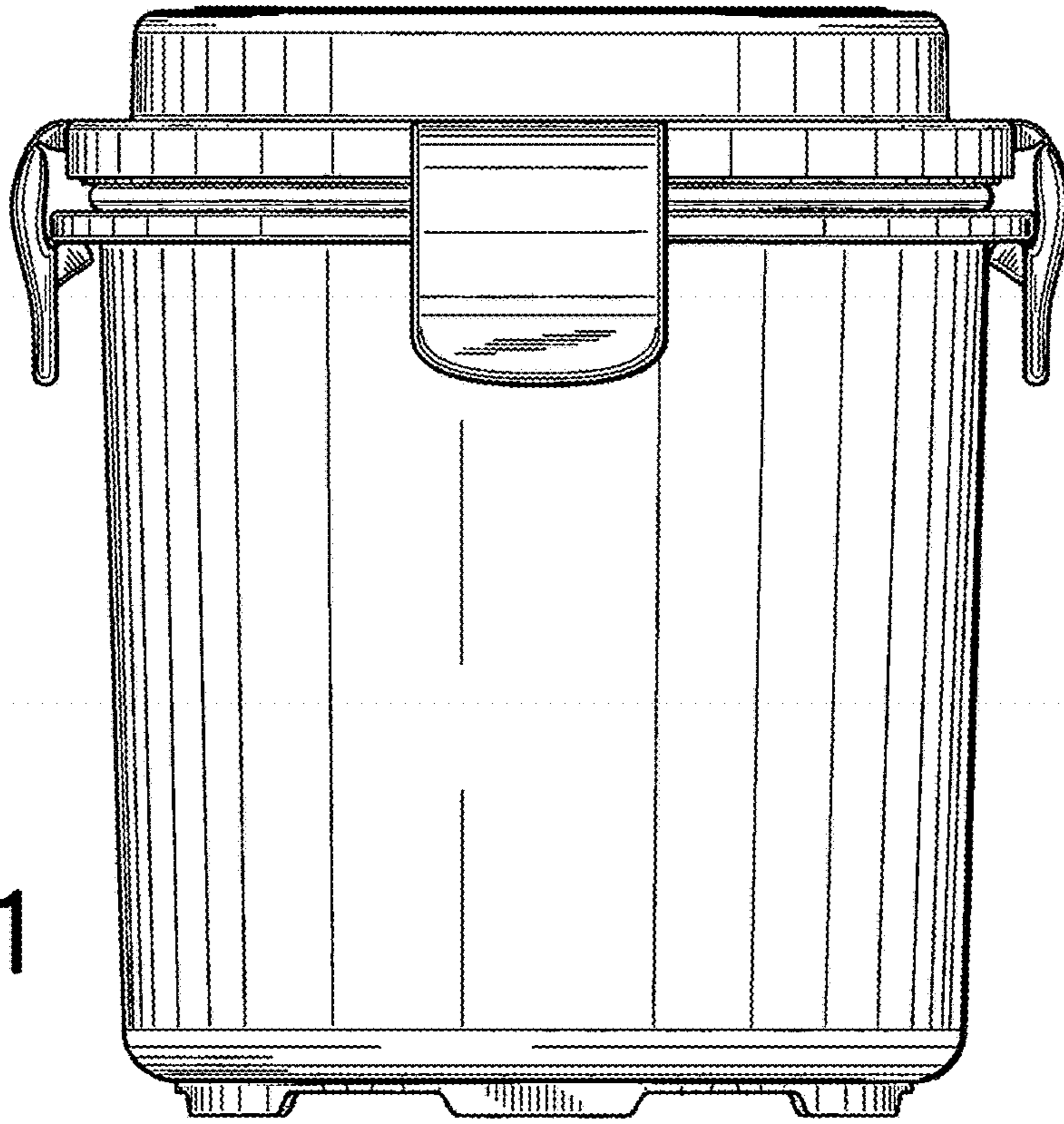


FIG. 1

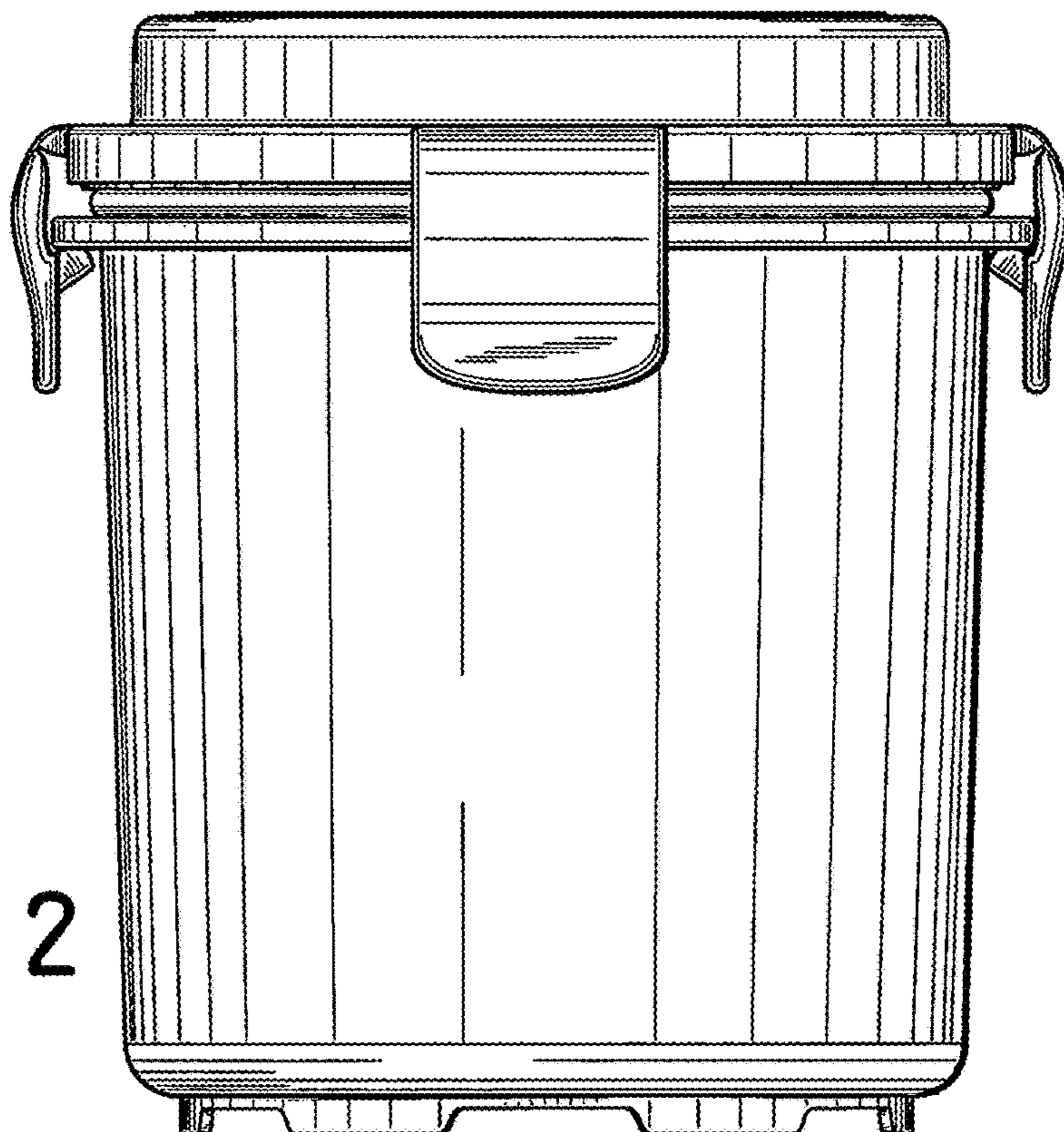


FIG. 2

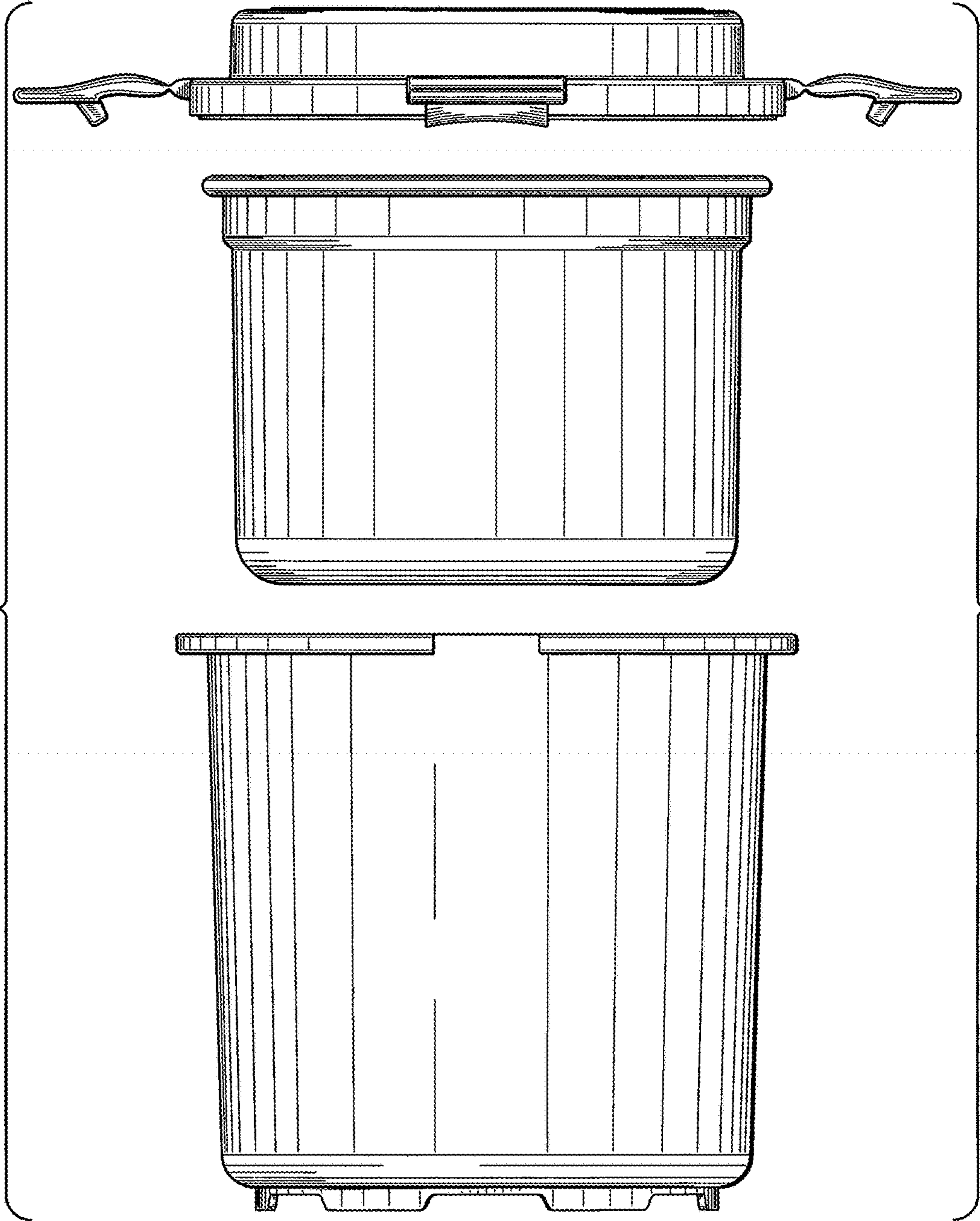


FIG. 3

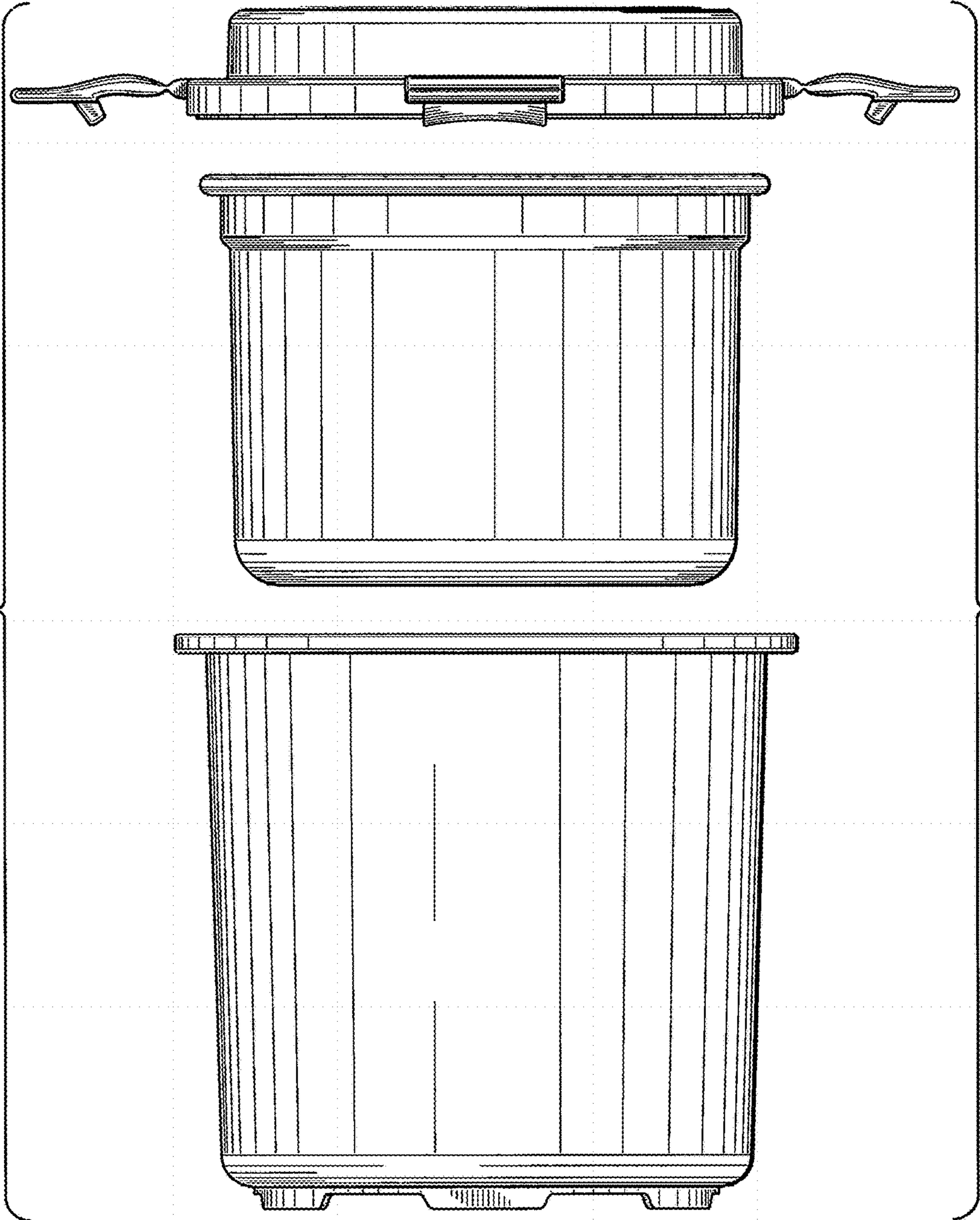


FIG. 4

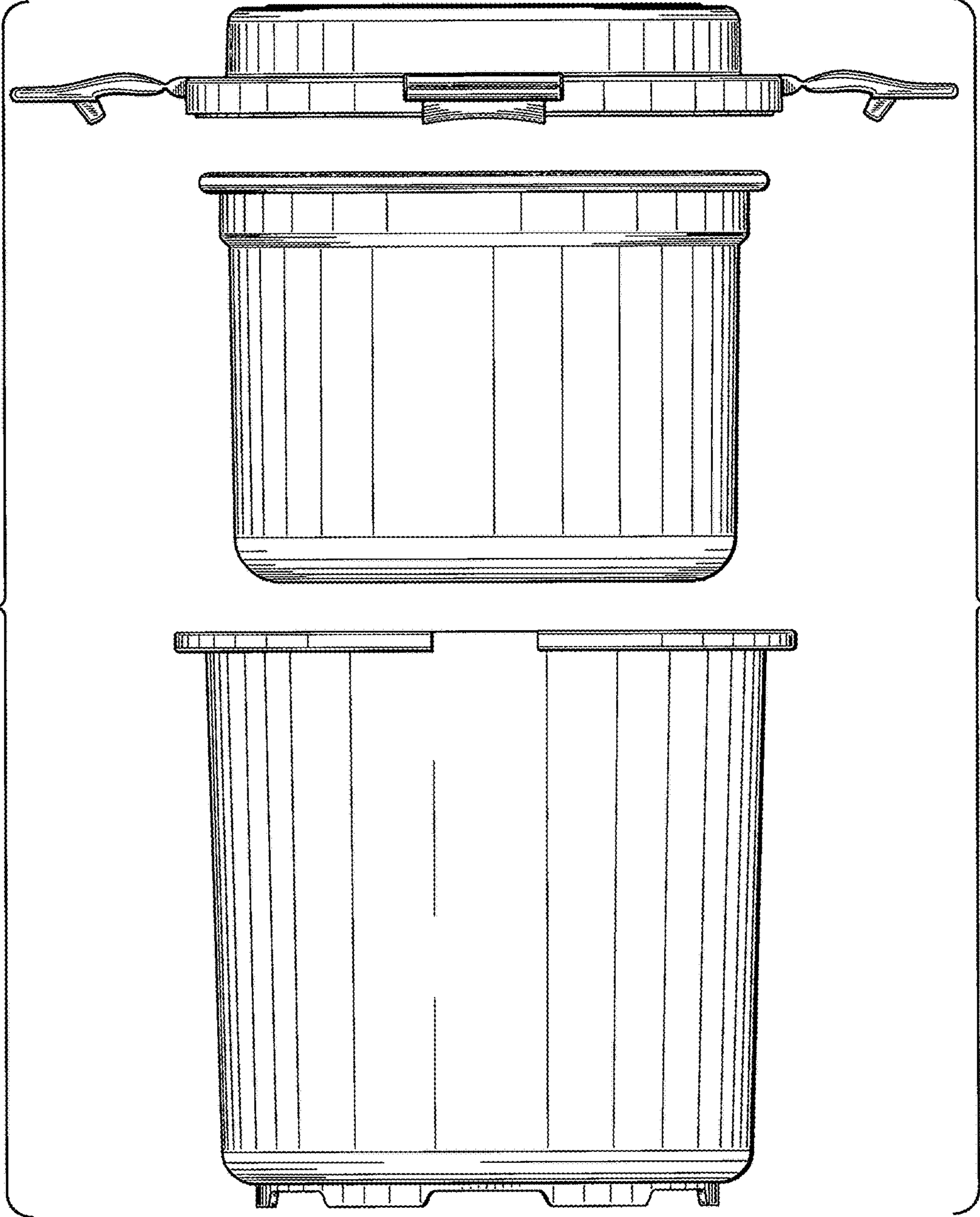


FIG. 5

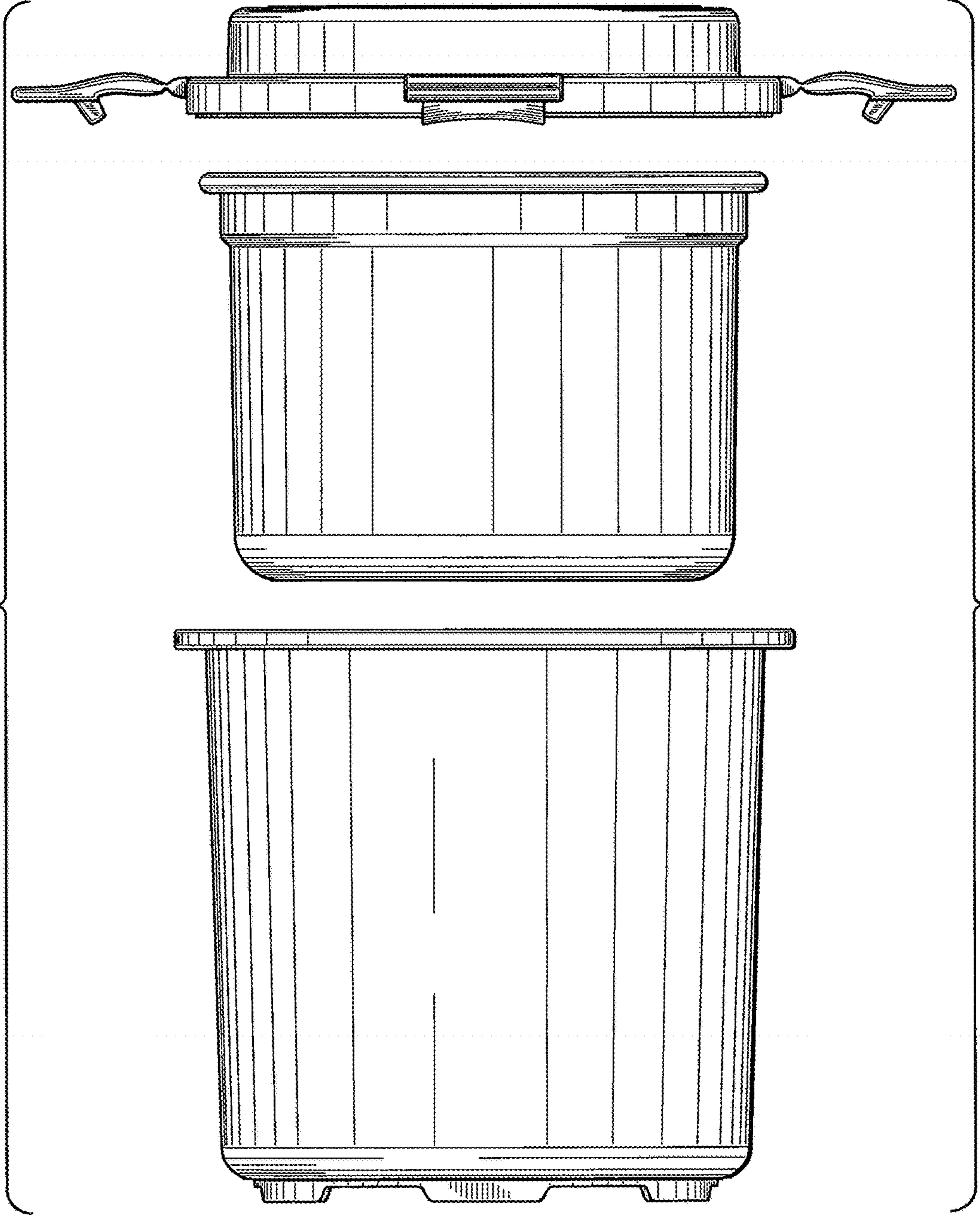


FIG. 6

FIG. 7

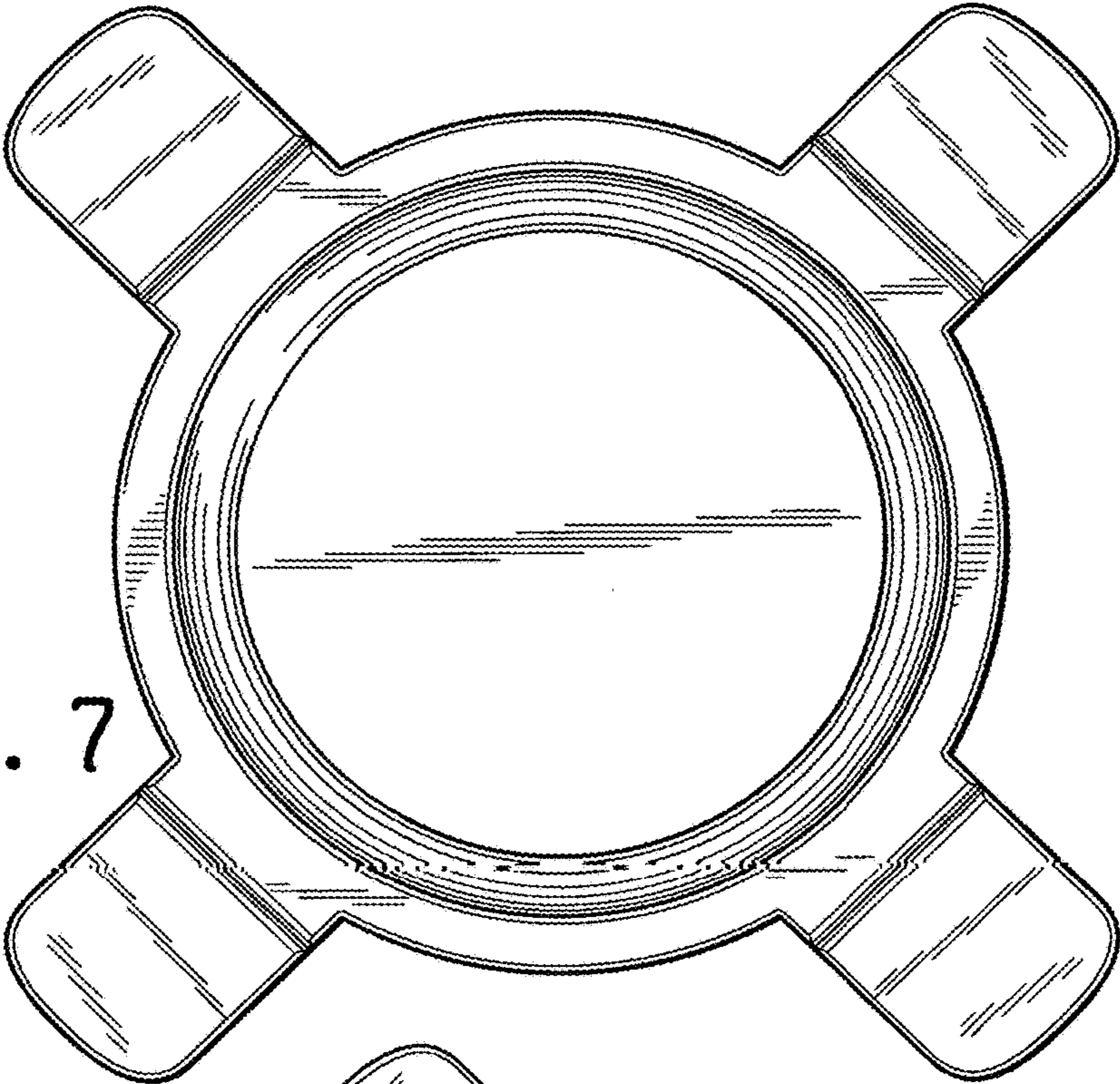


FIG. 8

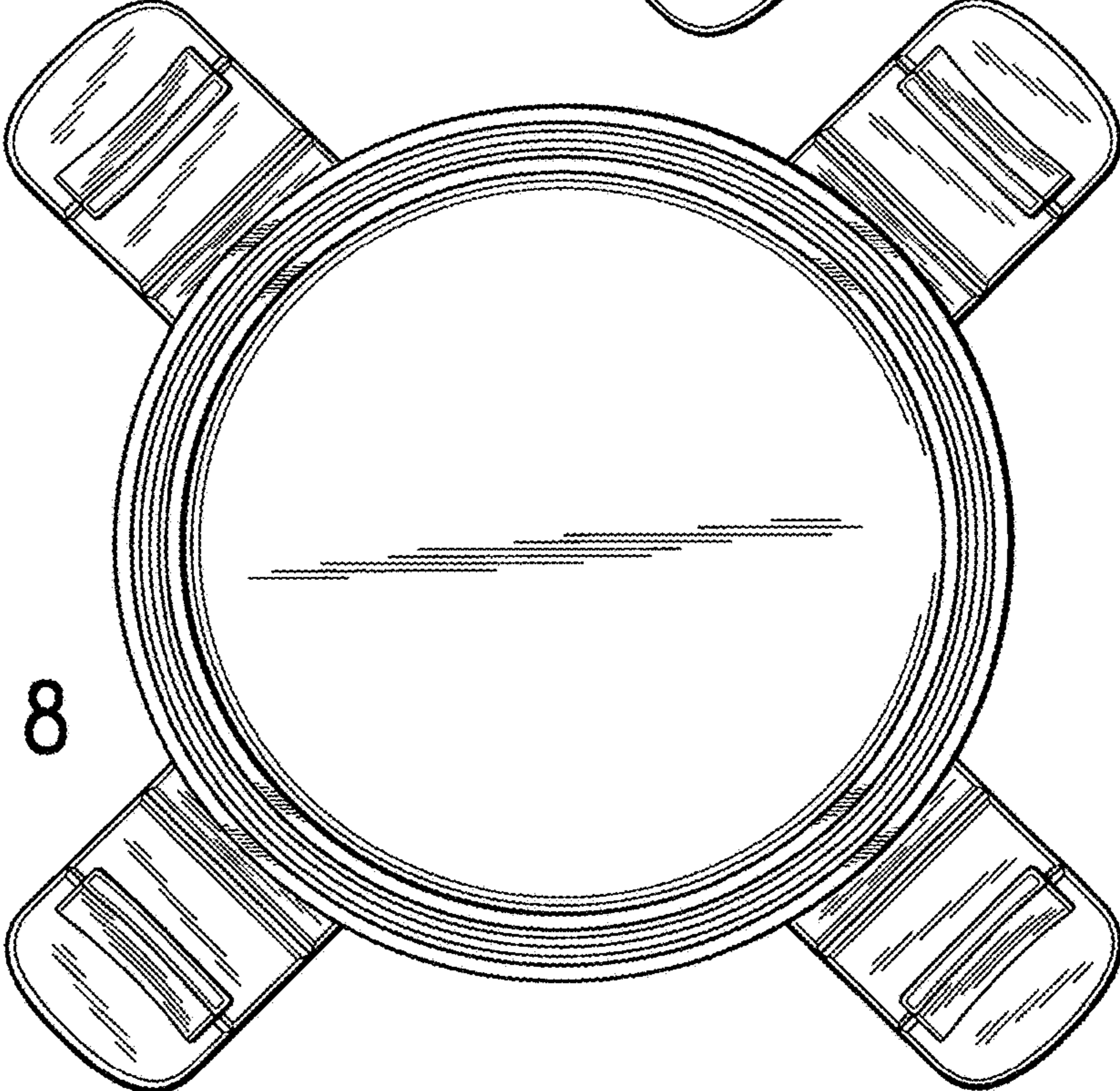


FIG. 9

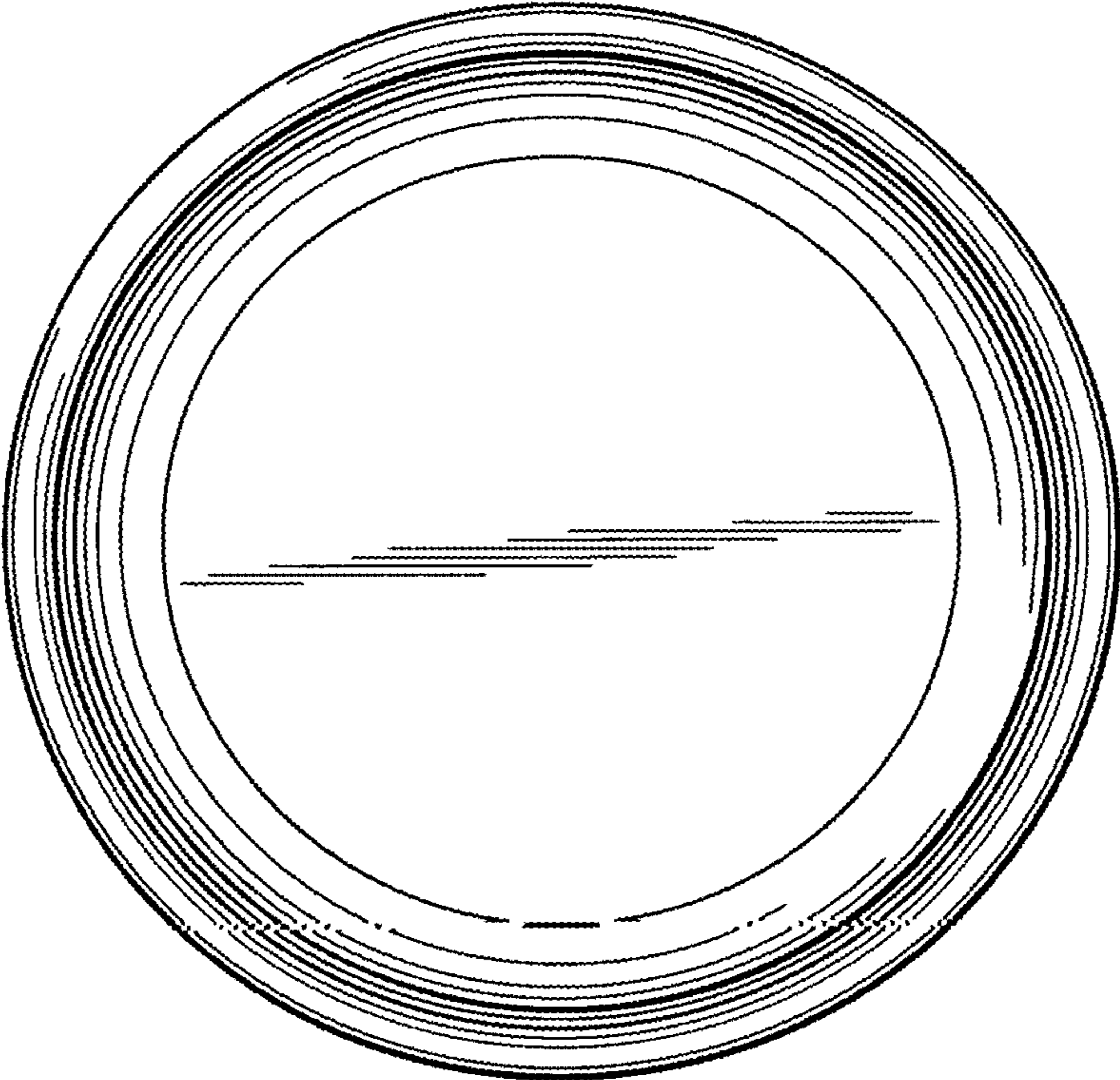


FIG. 10

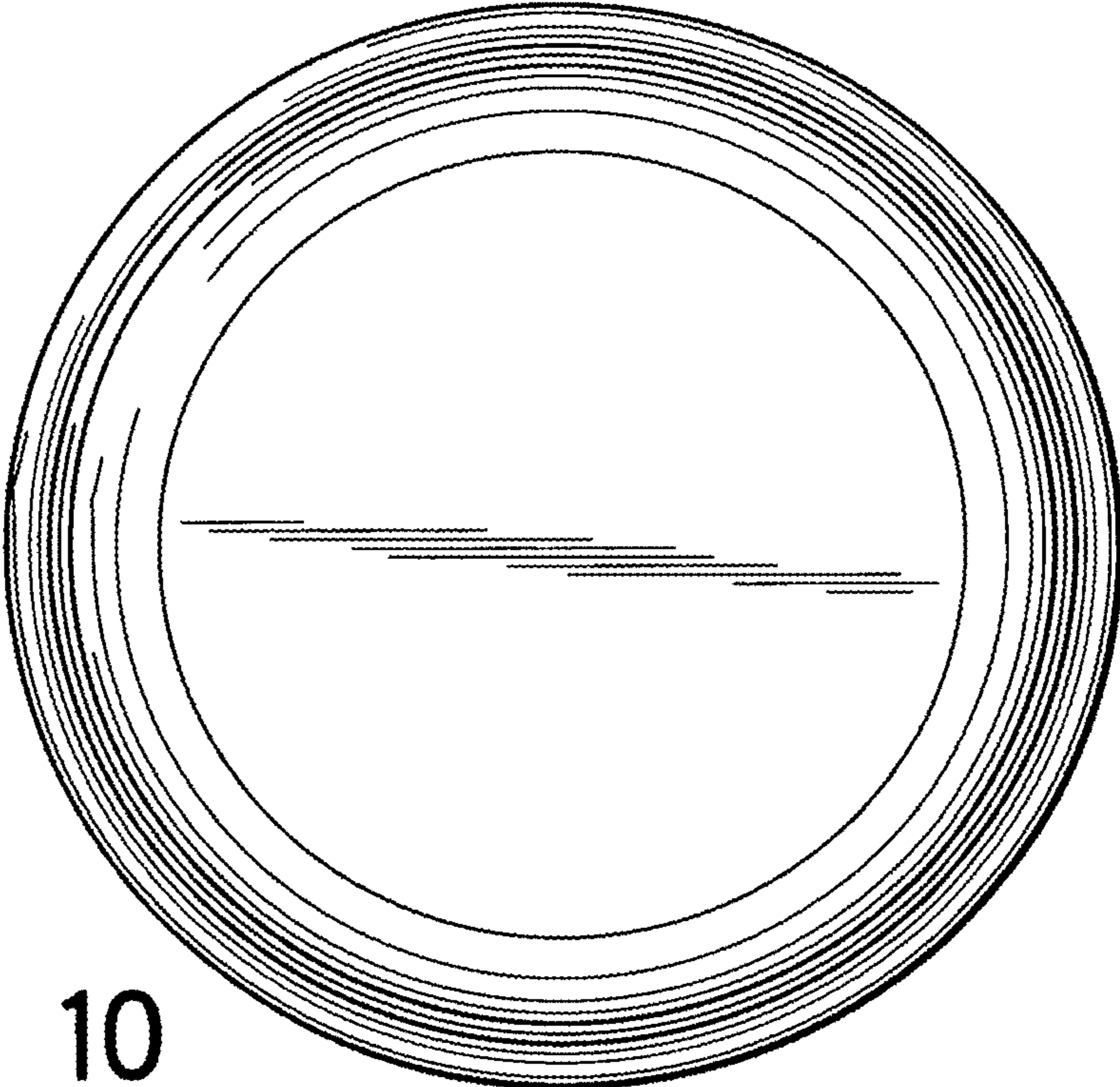


FIG. 11

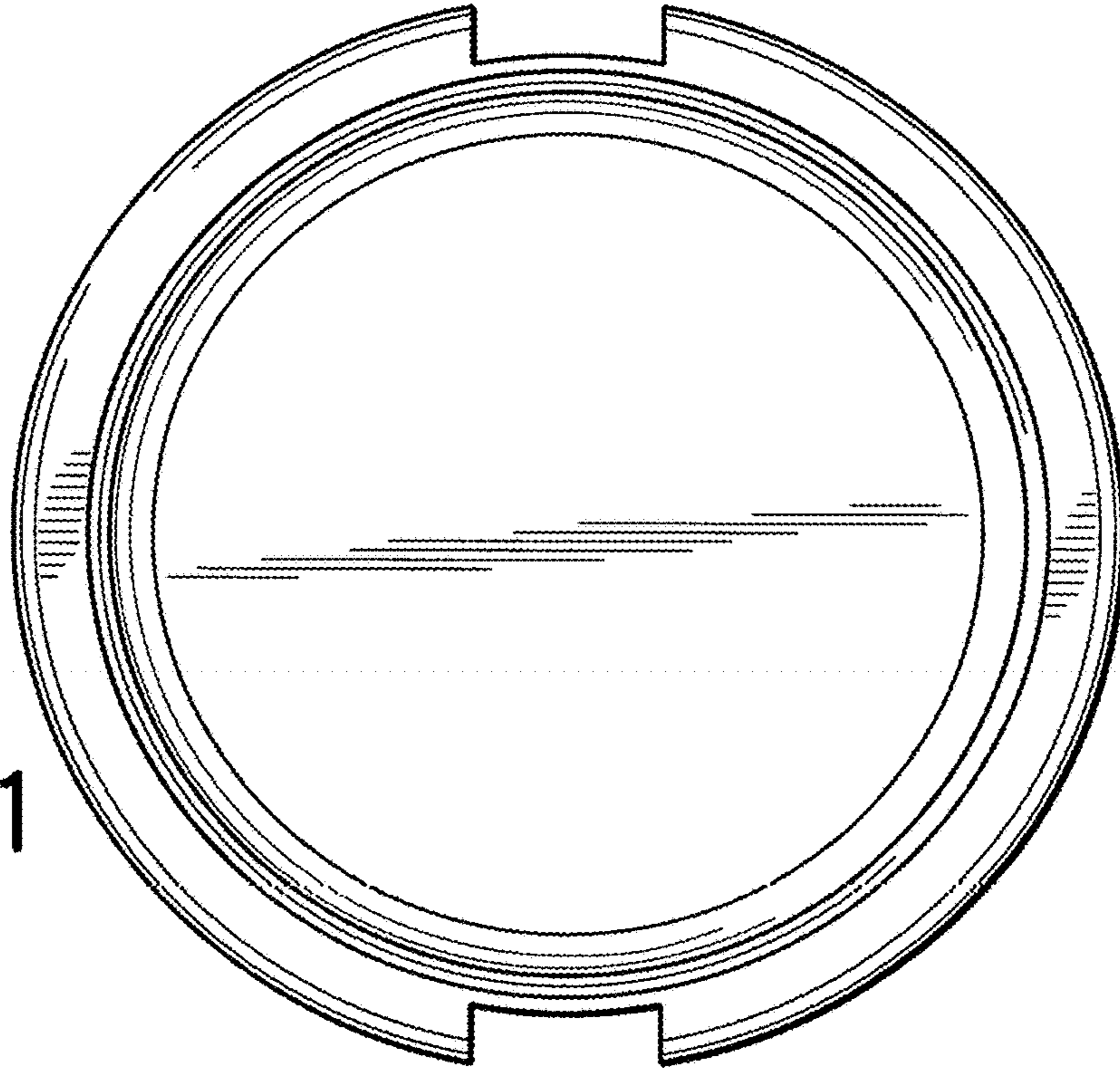


FIG. 12

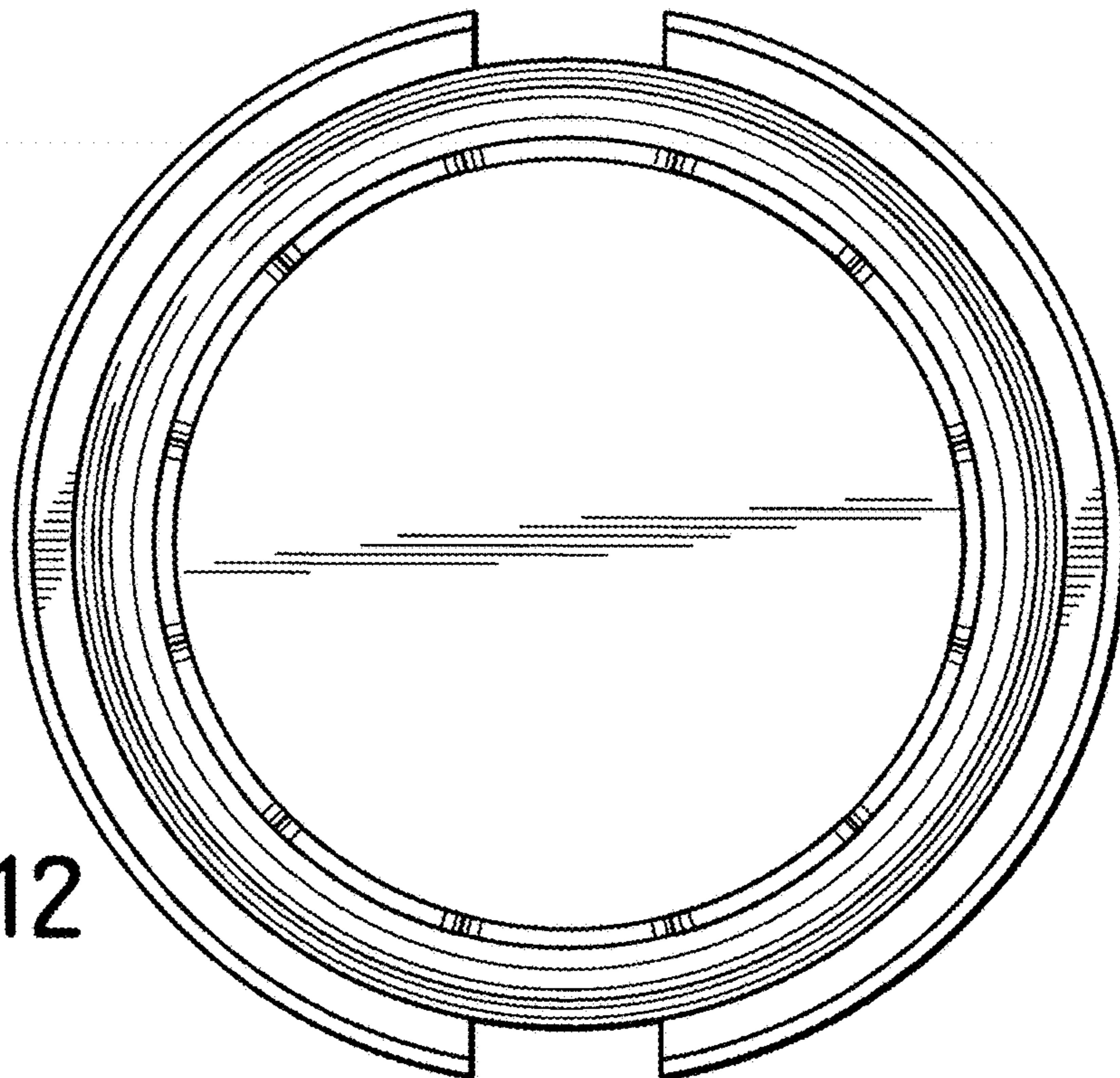


FIG. 13

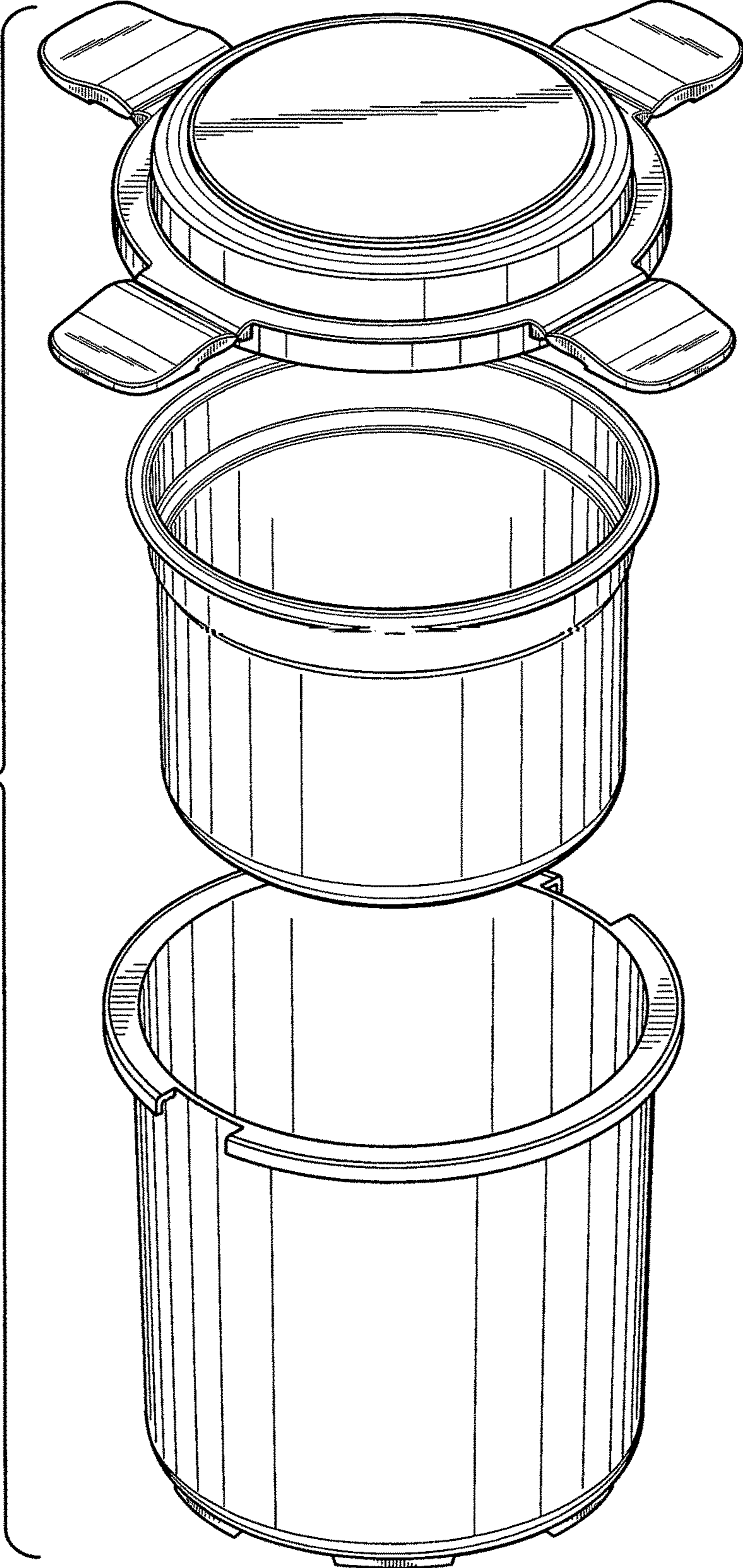


FIG. 14

