



US00D803005S

(12) **United States Design Patent** (10) **Patent No.:** **US D803,005 S**
Lane (45) **Date of Patent:** **** Nov. 21, 2017**

(54) **JAR WITH LID**
(71) Applicant: **THERMOS L.L.C.**, Schaumburg, IL (US)

D587,534 S * 3/2009 Carreno D7/608
D641,591 S * 7/2011 Tsukida D7/608
D651,045 S * 12/2011 Eyal D7/510
D651,050 S * 12/2011 Goshi D7/608
D655,580 S * 3/2012 Kotani D7/608

(72) Inventor: **Marvin Lane**, Wheeling, IL (US)
(73) Assignee: **THERMOS L.L.C.**, Schaumburg, IL (US)

OTHER PUBLICATIONS

<http://www.thermos.com/products/element5-16-oz-backpack-bottle-black.aspx>; (on sale Jan. 2015); (2 pages).

(**) Term: **15 Years**

* cited by examiner

(21) Appl. No.: **29/556,010**

Primary Examiner — Terry Wallace

(22) Filed: **Feb. 26, 2016**

(74) *Attorney, Agent, or Firm* — Polsinelli PC

(51) **LOC (10) Cl.** **07-01**

(57) **CLAIM**

(52) **U.S. Cl.**

The ornamental design for a jar with lid, as shown and described.

USPC **D7/608**; D7/629

(58) **Field of Classification Search**

USPC D7/605–608, 629, 630, 612–615,
D7/509–511; D9/500–505, 549, 559,
D9/574, 575

DESCRIPTION

CPC B65D 81/3879; B65D 81/3886; B65D
81/3823; B65D 23/0885; B65D 23/0857;
B65D 23/08; A45C 11/20; A47G
23/0216; A47G 23/02; A47G 23/0208;
A47G 19/2288; F17C 13/001; F25D 3/08;
F25D 2331/804

FIG. 1 is a perspective view of the jar with lid;
FIG. 2 is a front view of the jar with lid;
FIG. 3 is a rear view of the jar with lid;
FIG. 4 is a right side view of the jar with lid;
FIG. 5 is a left side view of the jar with lid;
FIG. 6 is a top view of the jar with lid; and,
FIG. 7 is a bottom view of the jar with lid.

See application file for complete search history.

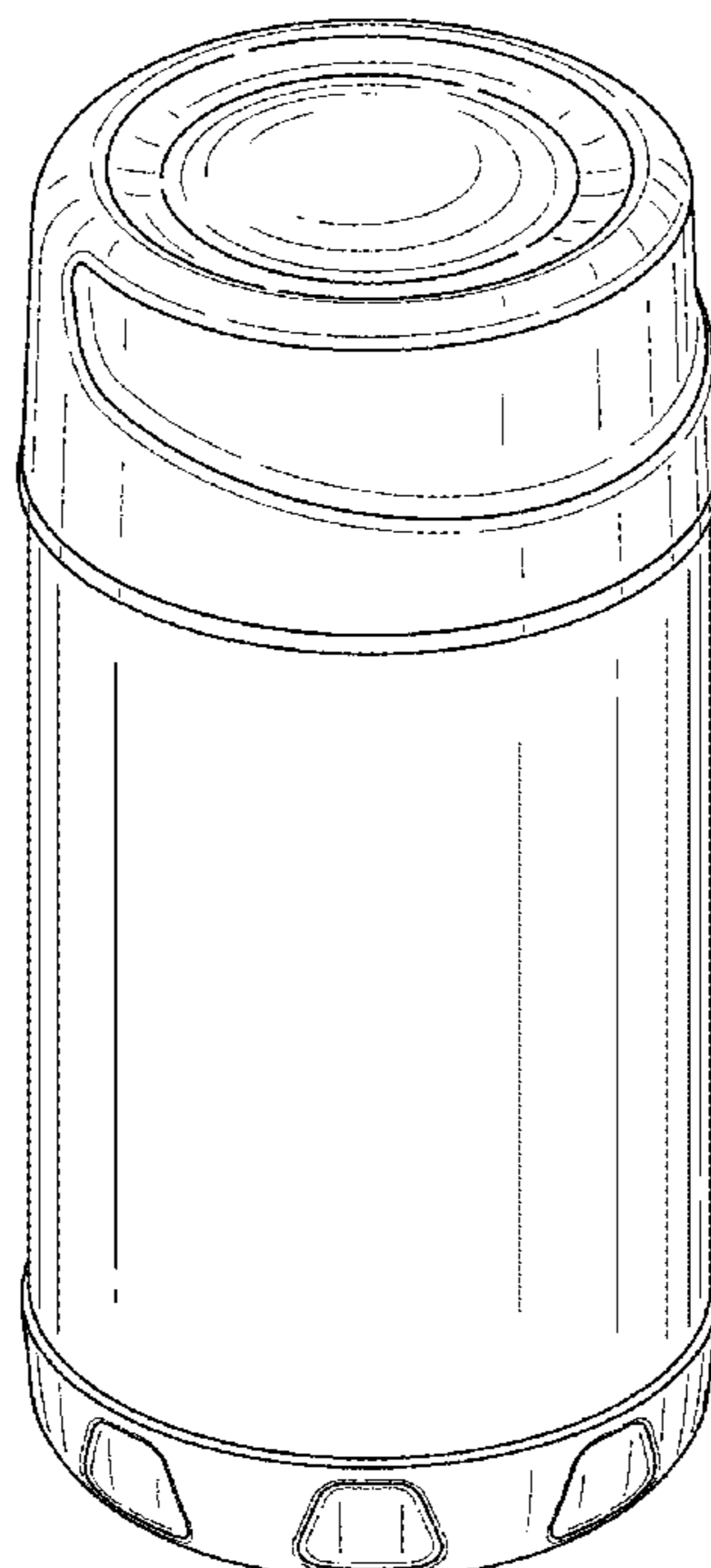
The broken lines showing in the figures are included for the purpose of illustrating portions of the jar with lid that form no part of the claimed design. The dash-dot lines showing in the figures are included for defining the bounds of the claimed design that form no part thereof.

(56) **References Cited**

U.S. PATENT DOCUMENTS

5,139,163 A * 8/1992 Diaz B65D 21/0219
206/509
D557,994 S * 12/2007 Wahl D7/608

1 Claim, 4 Drawing Sheets



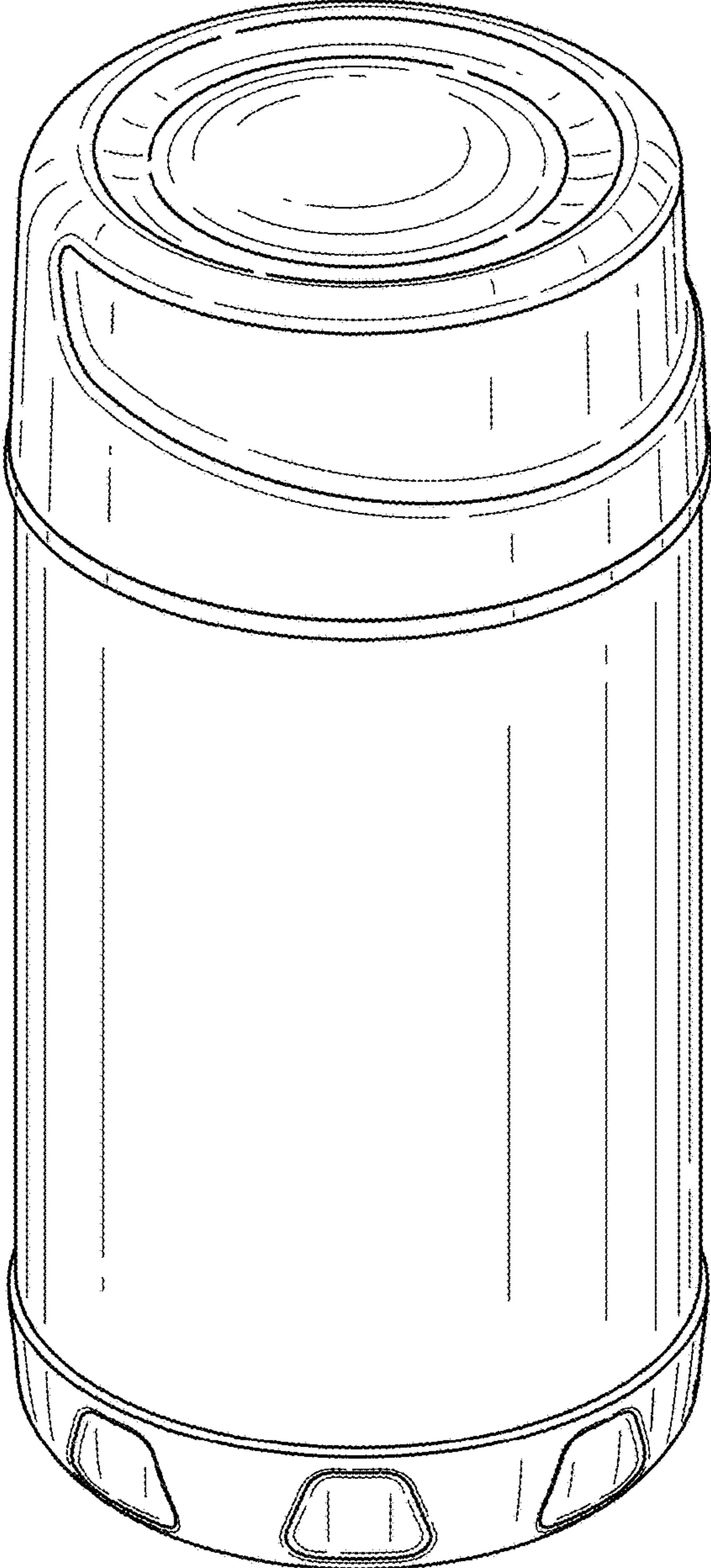


FIG. 1

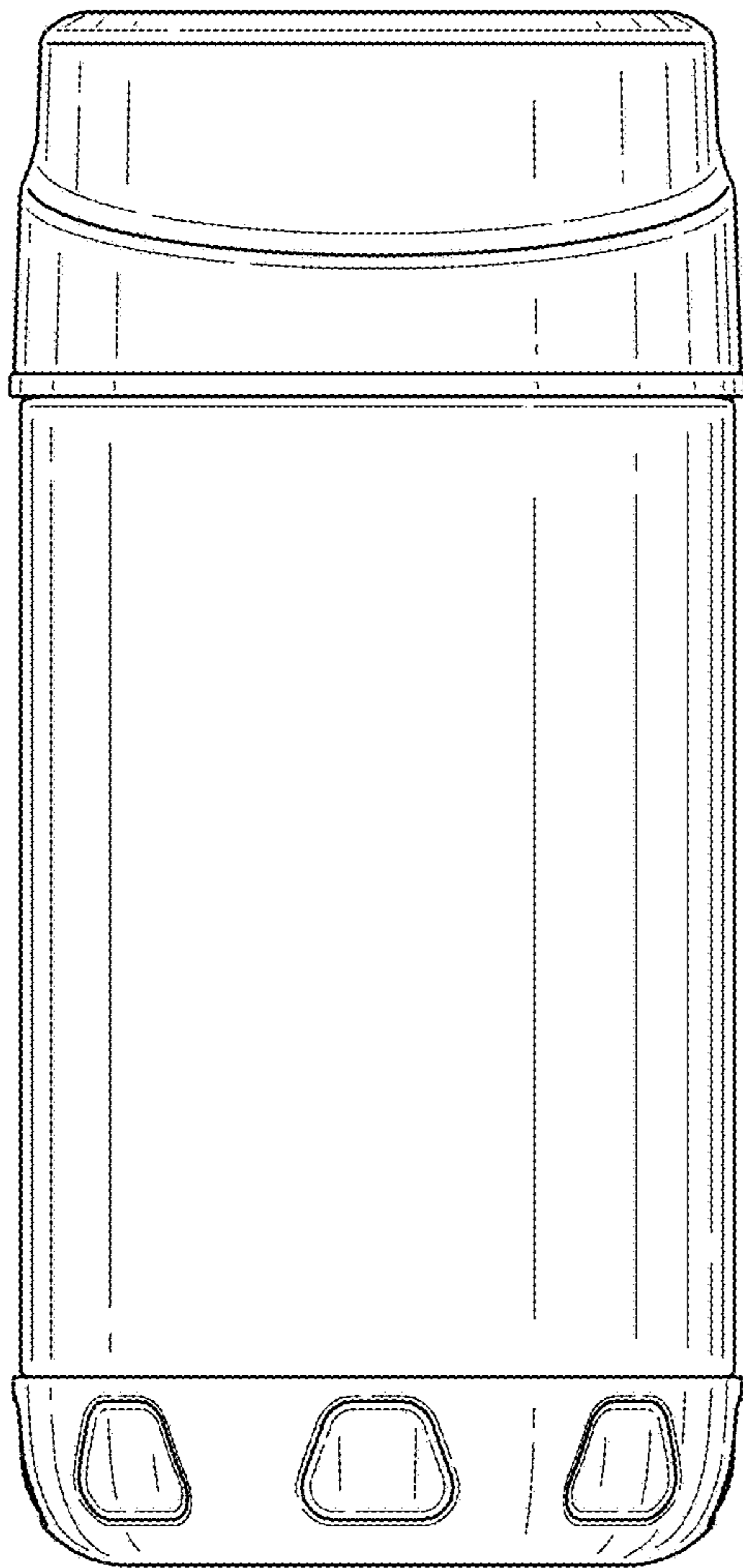


FIG. 2

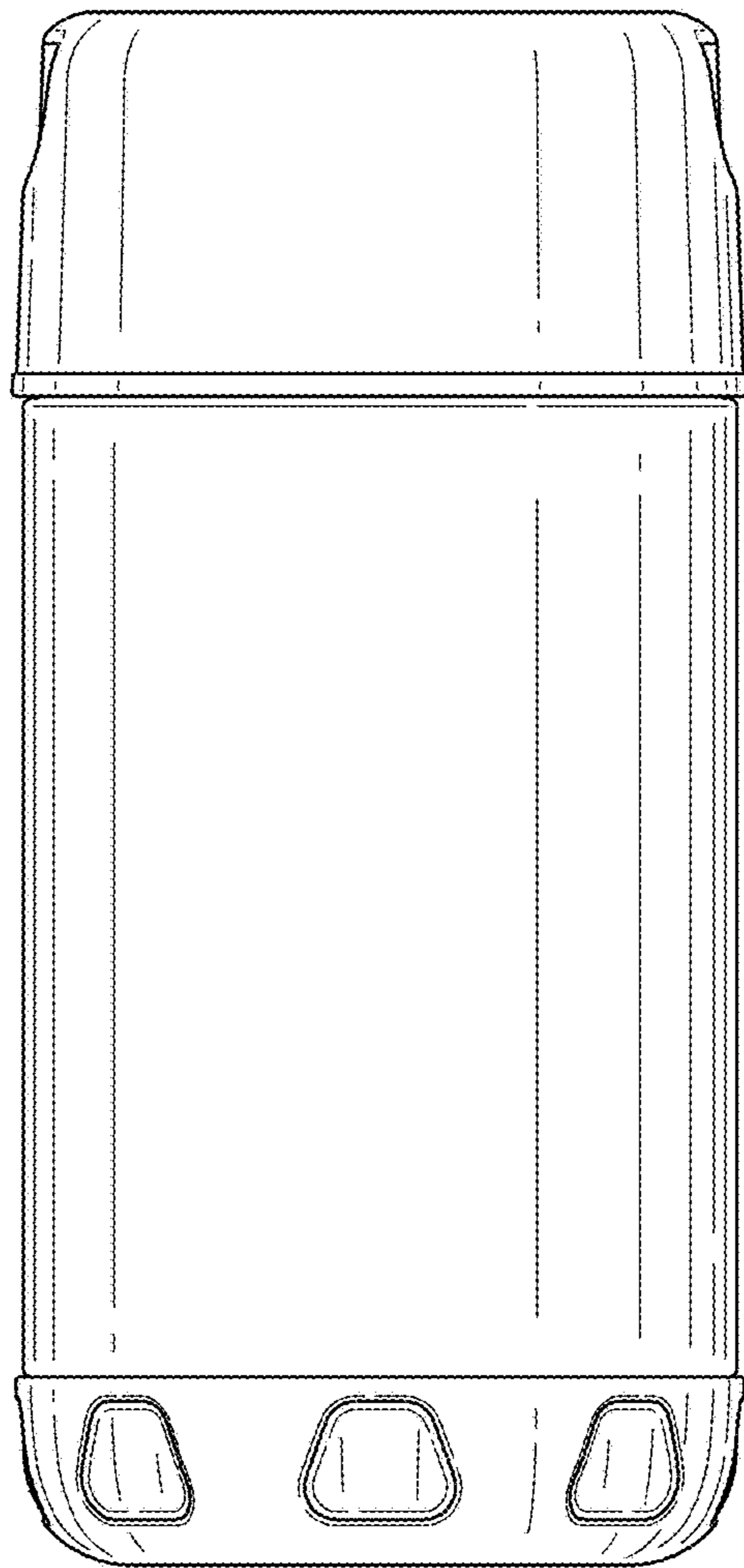


FIG. 3

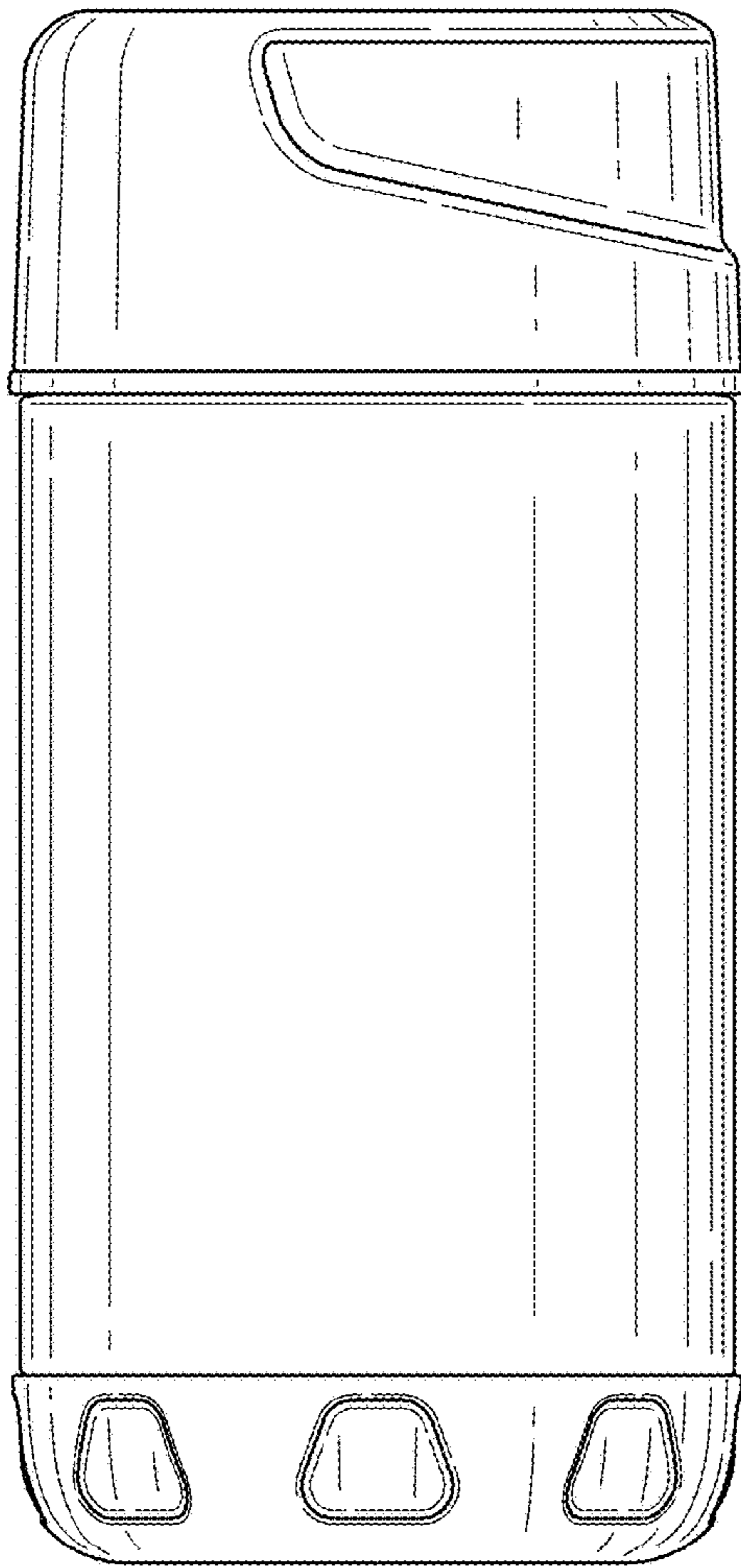


FIG. 4

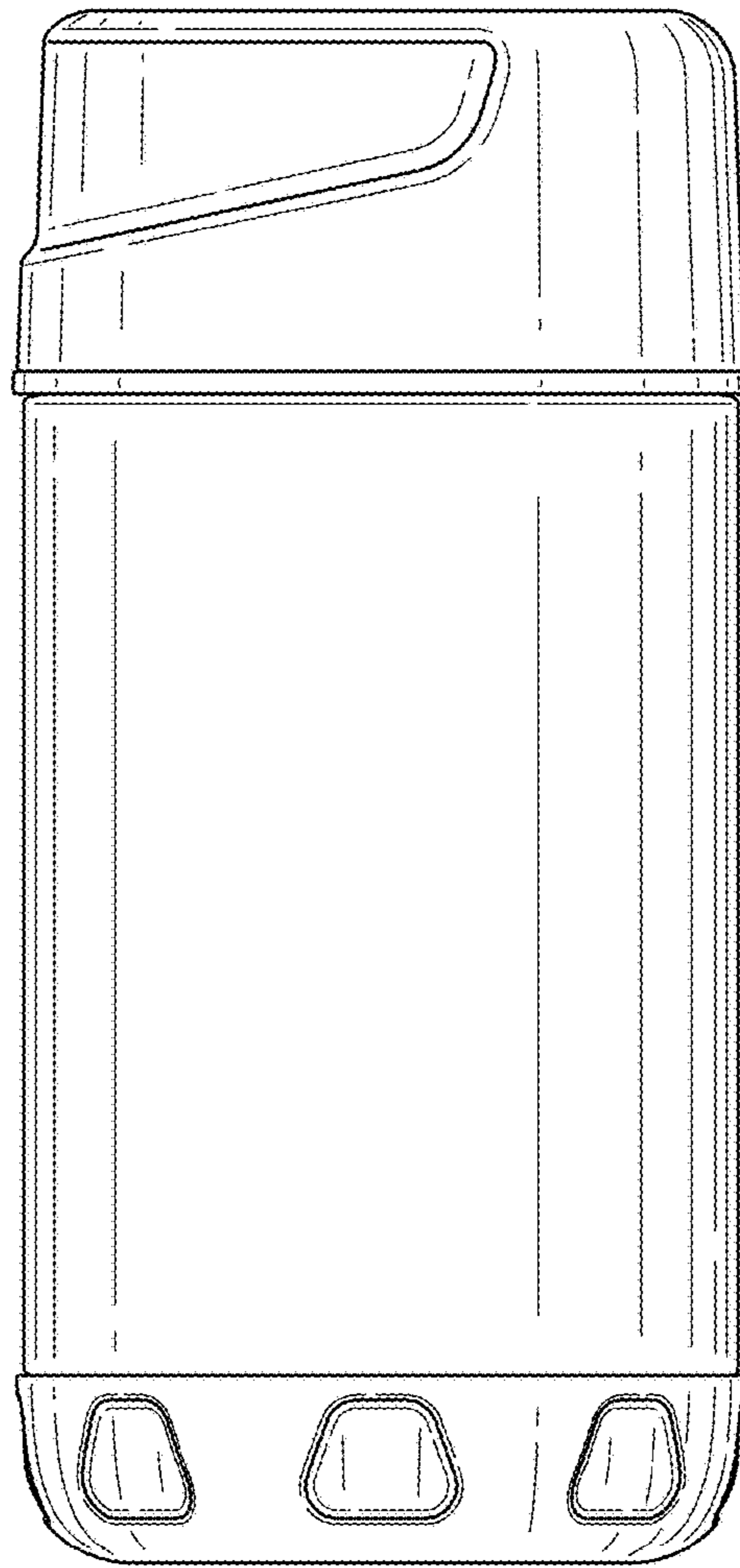


FIG. 5

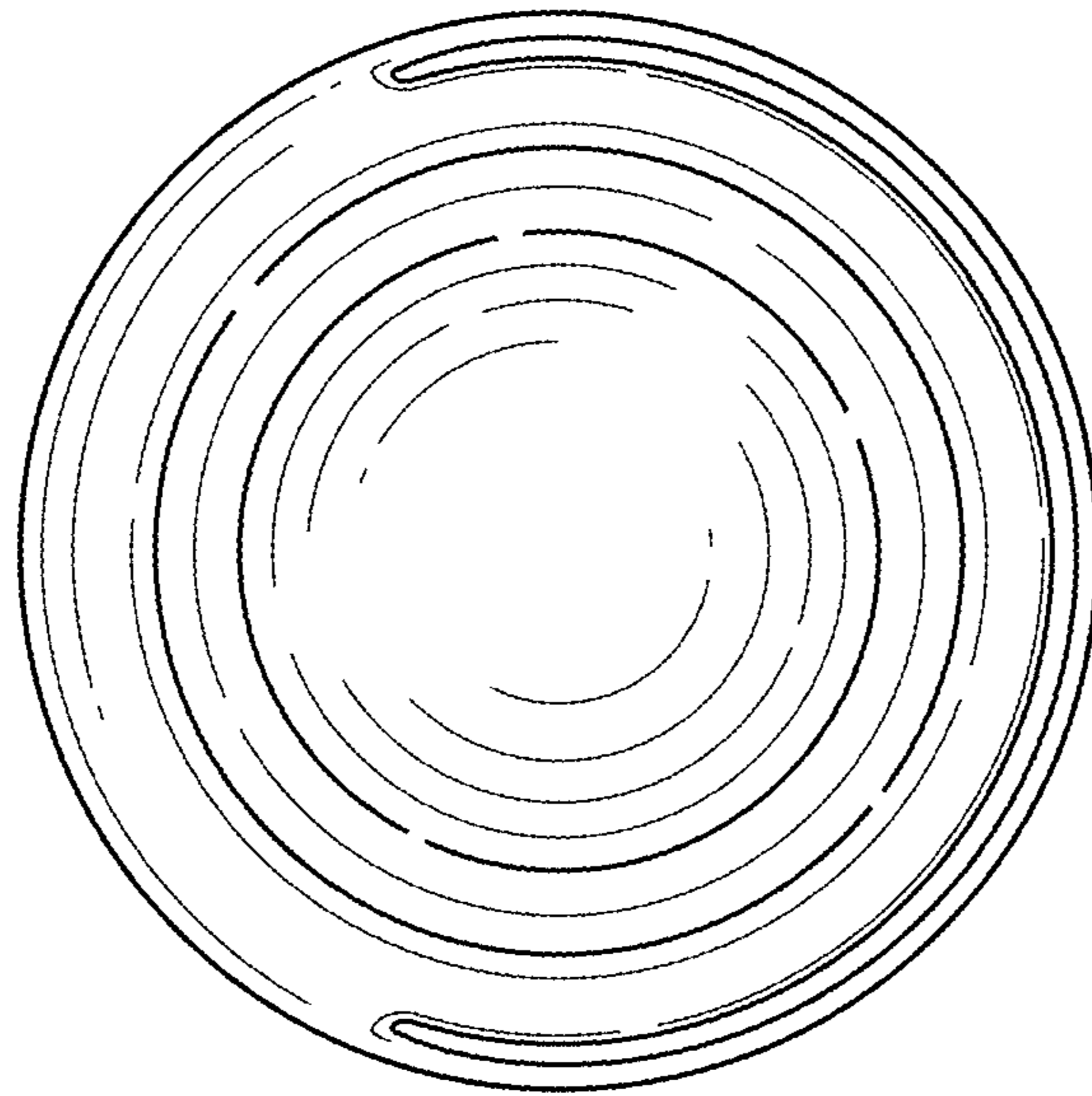


FIG. 6

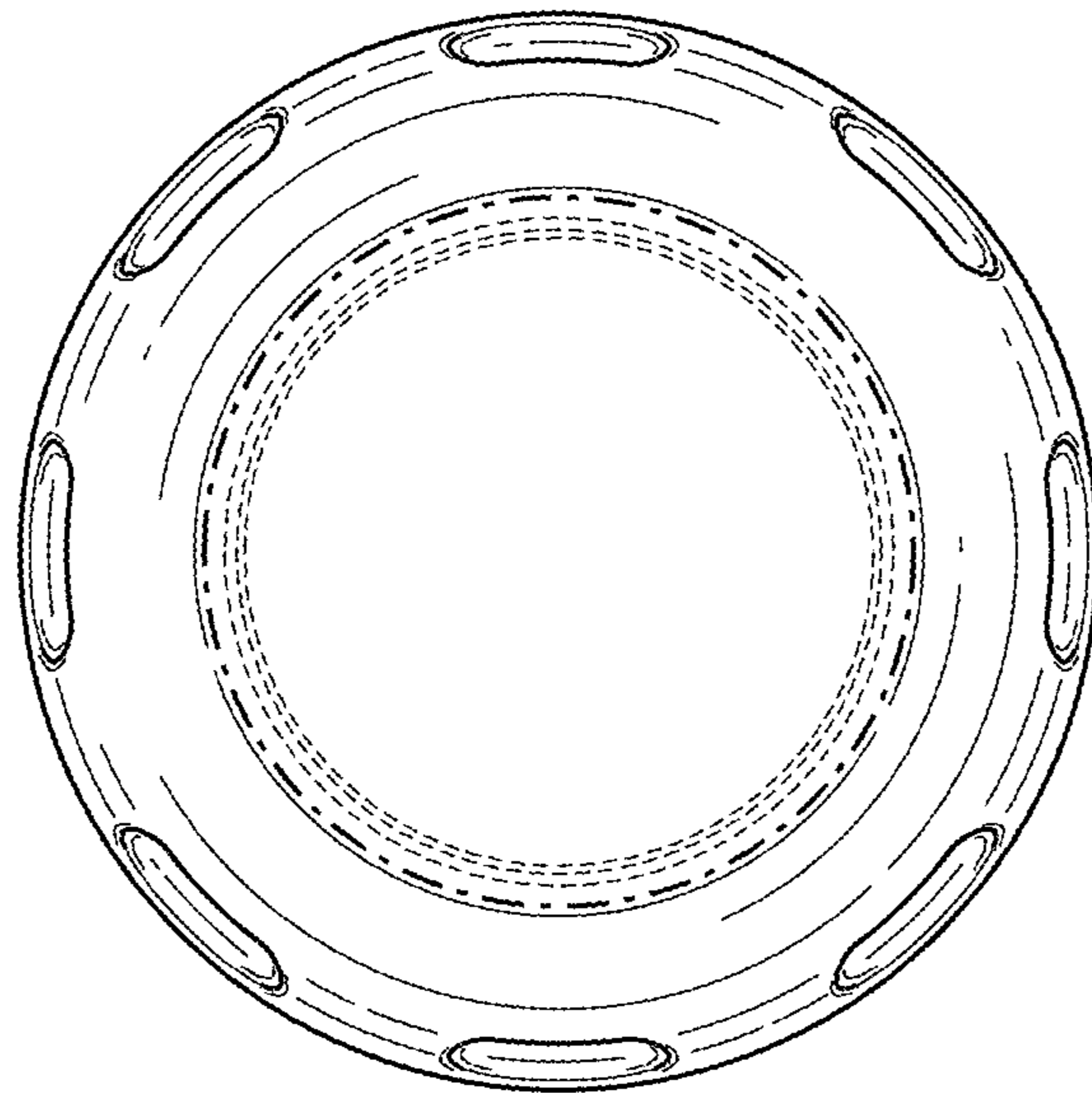


FIG. 7