



US00D803004S

(12) **United States Design Patent**
Haddad

(10) **Patent No.:** **US D803,004 S**

(45) **Date of Patent:** **** Nov. 21, 2017**

(54) **PLATE**

DESCRIPTION

(71) Applicant: **L'atelier Brands Inc.**, George Town (KY)

(72) Inventor: **Firas Haddad**, Dubai (AE)

(73) Assignee: **L'ATELIER BRANDS INC.** (KY)

(**) Term: **15 Years**

(21) Appl. No.: **29/552,687**

(22) Filed: **Jan. 25, 2016**

(51) **LOC (10) Cl.** **07-01**

(52) **U.S. Cl.**
USPC **D7/587**; D7/584

(58) **Field of Classification Search**
USPC D7/560, 584, 585, 396.5, 588, 545, 587,
D7/360, 354; 220/545, 575
CPC A47G 19/02; A47G 19/03
See application file for complete search history.

FIG. 1 is a top perspective view of a first embodiment of a plate, showing my new design.
 FIG. 2 is a bottom perspective view thereof.
 FIG. 3 is a top plan view thereof.
 FIG. 4 is a bottom plan view thereof.
 FIG. 5 is a front elevational view thereof.
 FIG. 6 is a rear elevational view thereof.
 FIG. 7 is a left side view thereof.
 FIG. 8 is a right side view thereof.
 FIG. 9 is a top perspective view of a second embodiment of the plate, showing my new design.
 FIG. 10 is a bottom perspective view thereof.
 FIG. 11 is a top plan view thereof.
 FIG. 12 is a bottom plan view thereof.
 FIG. 13 is a front elevational view thereof.
 FIG. 14 is a rear elevational view thereof.
 FIG. 15 is a left side view thereof.
 FIG. 16 is a right side view thereof.
 FIG. 17 is a top perspective view of a third embodiment of the plate, showing my new design.
 FIG. 18 is a bottom perspective view thereof.
 FIG. 19 is a top plan view thereof.
 FIG. 20 is a bottom plan view thereof.
 FIG. 21 is a front elevational view thereof.
 FIG. 22 is a rear elevational view thereof.
 FIG. 23 is a left side view thereof.
 FIG. 24 is a right side view thereof.
 FIG. 25 is a top perspective view of a fourth embodiment of the plate, showing my new design.
 FIG. 26 is a bottom perspective view thereof.
 FIG. 27 is a top plan view thereof.
 FIG. 28 is a bottom plan view thereof.
 FIG. 29 is a front elevational view thereof.
 FIG. 30 is a rear elevational view thereof.
 FIG. 31 is a left side view thereof; and,
 FIG. 32 is a right side view thereof.
 The broken lines in the drawing depict portions of the plate that form no part of the claimed design.

(56) **References Cited**

U.S. PATENT DOCUMENTS

D51,538 S * 12/1917 Hebbard D7/585
 D58,200 S * 6/1921 Sailer 220/574
 D95,867 S * 6/1935 Sebring D7/584
 D97,447 S * 11/1935 Weber 343/713
 D105,357 S * 7/1937 Kupper D7/585
 D137,118 S * 1/1944 Kleinberg D7/565
 D204,012 S * 3/1966 Schreckengost D7/584

(Continued)

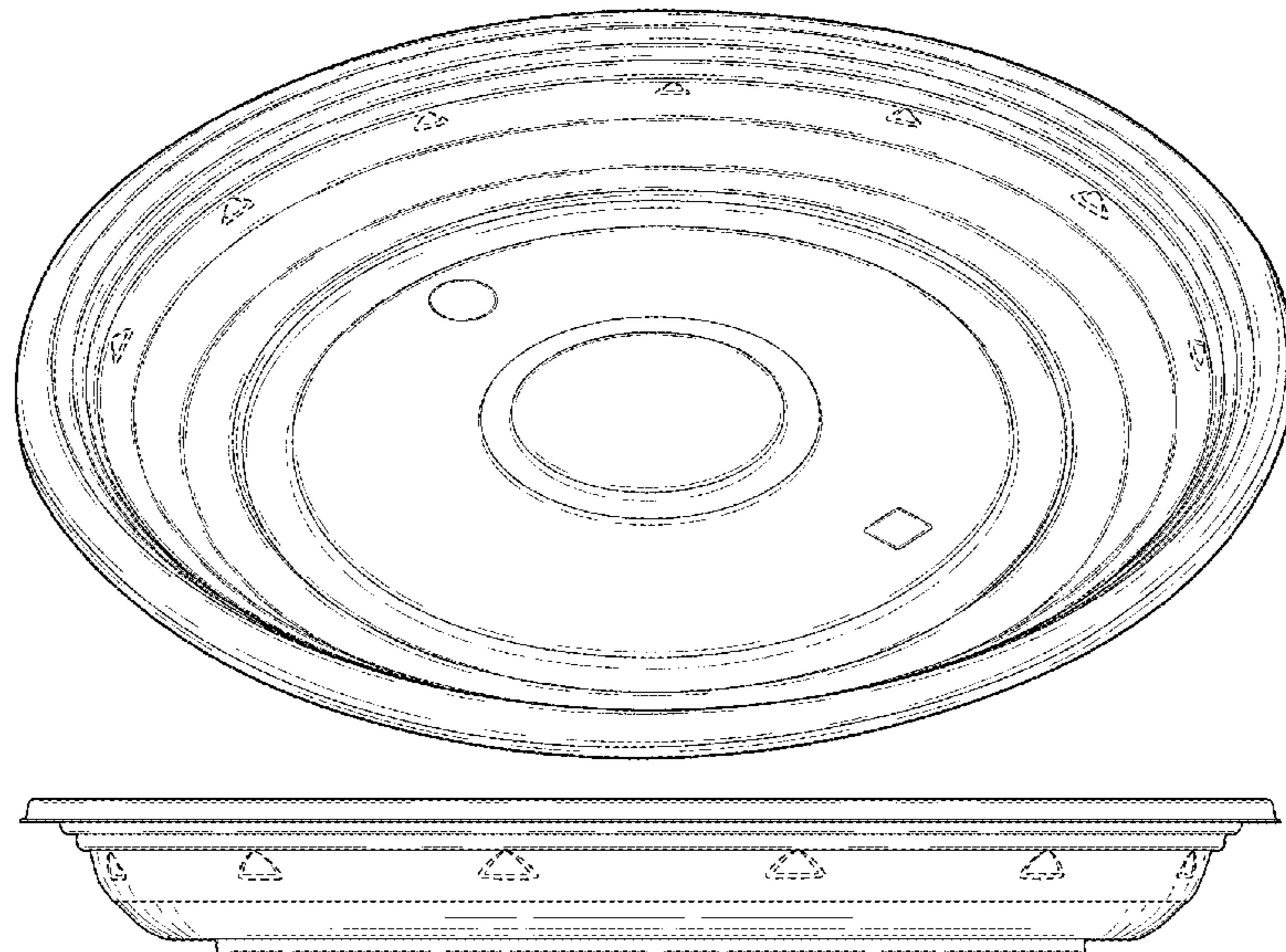
Primary Examiner — Marianne Pandozzi

(74) *Attorney, Agent, or Firm* — Hankin Patent Law, APC; Kevin Schraven; Anooj Patel

(57) **CLAIM**

The ornamental design for a plate, as shown and described.

1 Claim, 32 Drawing Sheets



(56)

References Cited

U.S. PATENT DOCUMENTS

3,362,604 A * 1/1968 Lagostina A47G 19/02
206/515
D211,287 S * 6/1968 Manick D5/17
D218,531 S * 8/1970 Gibson D7/391
D255,204 S * 6/1980 Gerow D20/11
D264,915 S * 6/1982 Warren D7/582
D296,507 S * 7/1988 Freeman D7/579
D312,941 S * 12/1990 Zivin D7/545
D328,837 S * 8/1992 Marsten D7/396.5
D337,480 S * 7/1993 Zabner D7/584
5,230,939 A * 7/1993 Baum A47G 19/03
220/574
D338,807 S * 8/1993 Conti D7/354
D389,378 S * 1/1998 Illingworth D7/560
D433,878 S * 11/2000 Joergensen D7/545
D445,304 S * 7/2001 Littlejohn D7/586
D445,632 S * 7/2001 Bradley D7/360
D456,673 S * 5/2002 Kerman D7/543
D463,955 S * 10/2002 Queensberry D7/554.2
D478,473 S * 8/2003 Zettle D7/545
D528,867 S * 9/2006 Hayes D7/554.2
D571,156 S * 6/2008 Gartz D7/545
D579,713 S * 11/2008 Dodane D7/360
D657,617 S * 4/2012 Sarnoff D7/354
D660,651 S * 5/2012 Peters D7/587
D704,501 S * 5/2014 Stubbe D7/354
D792,745 S * 7/2017 Wu D7/587

* cited by examiner

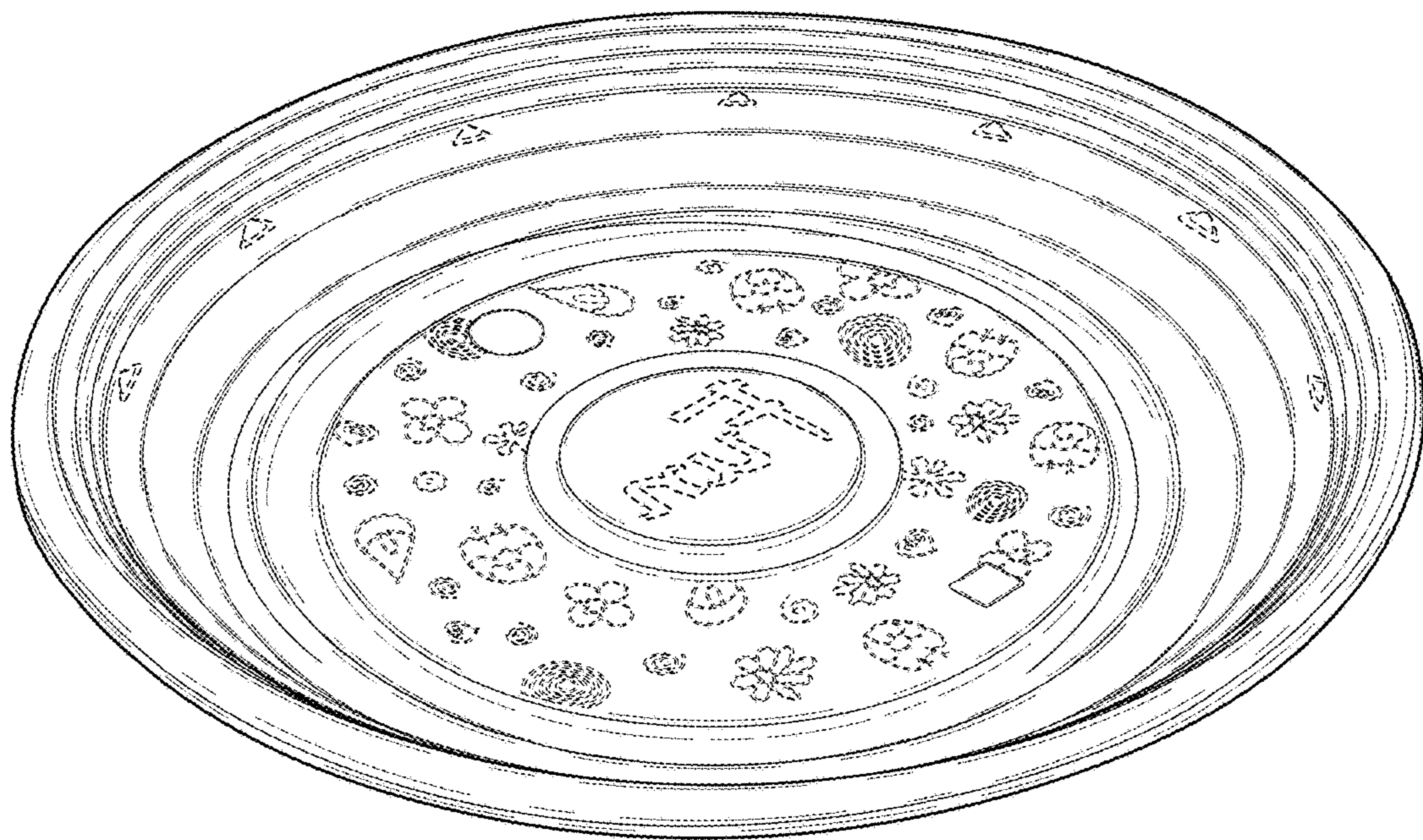


Fig. 1

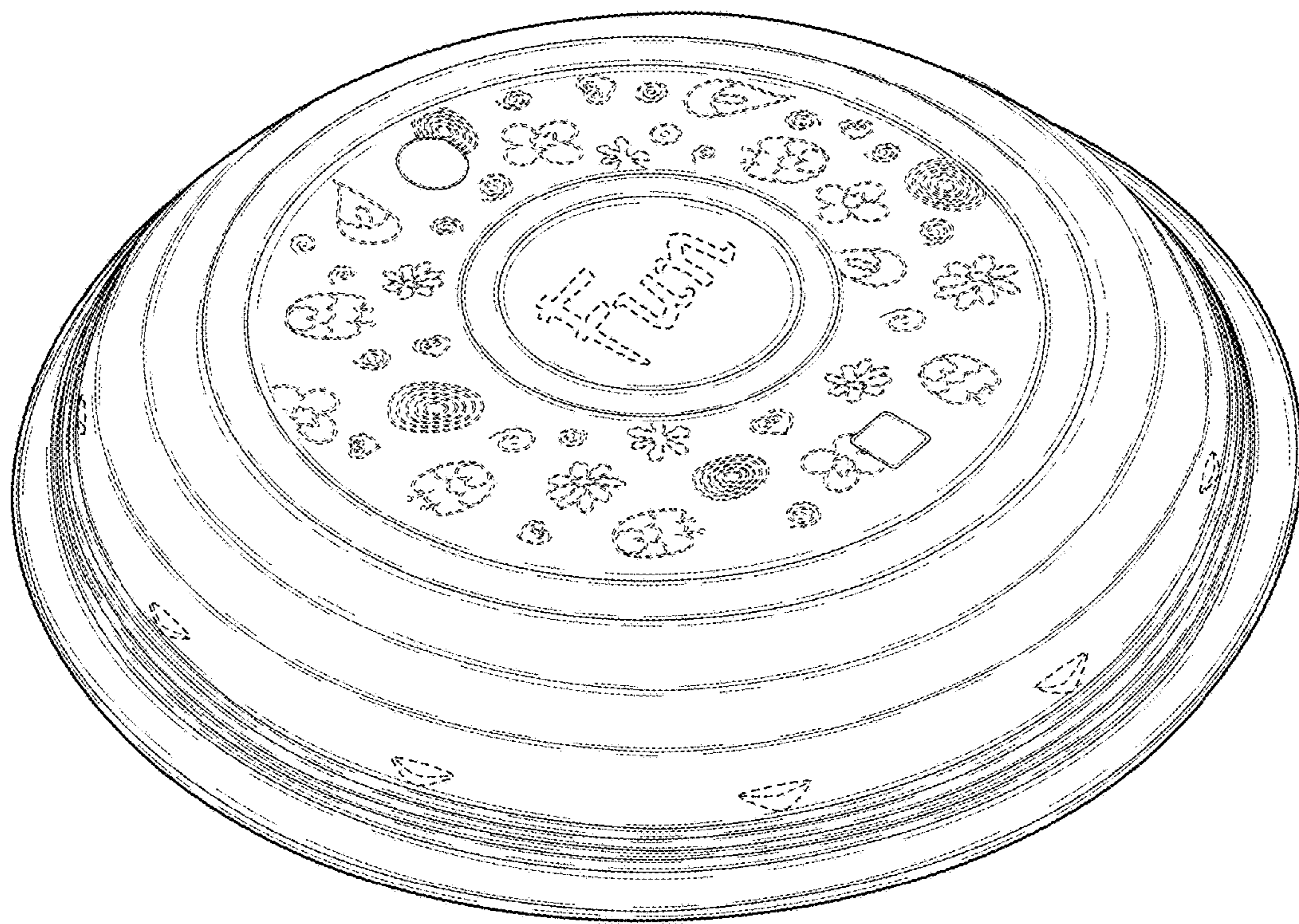


Fig.2

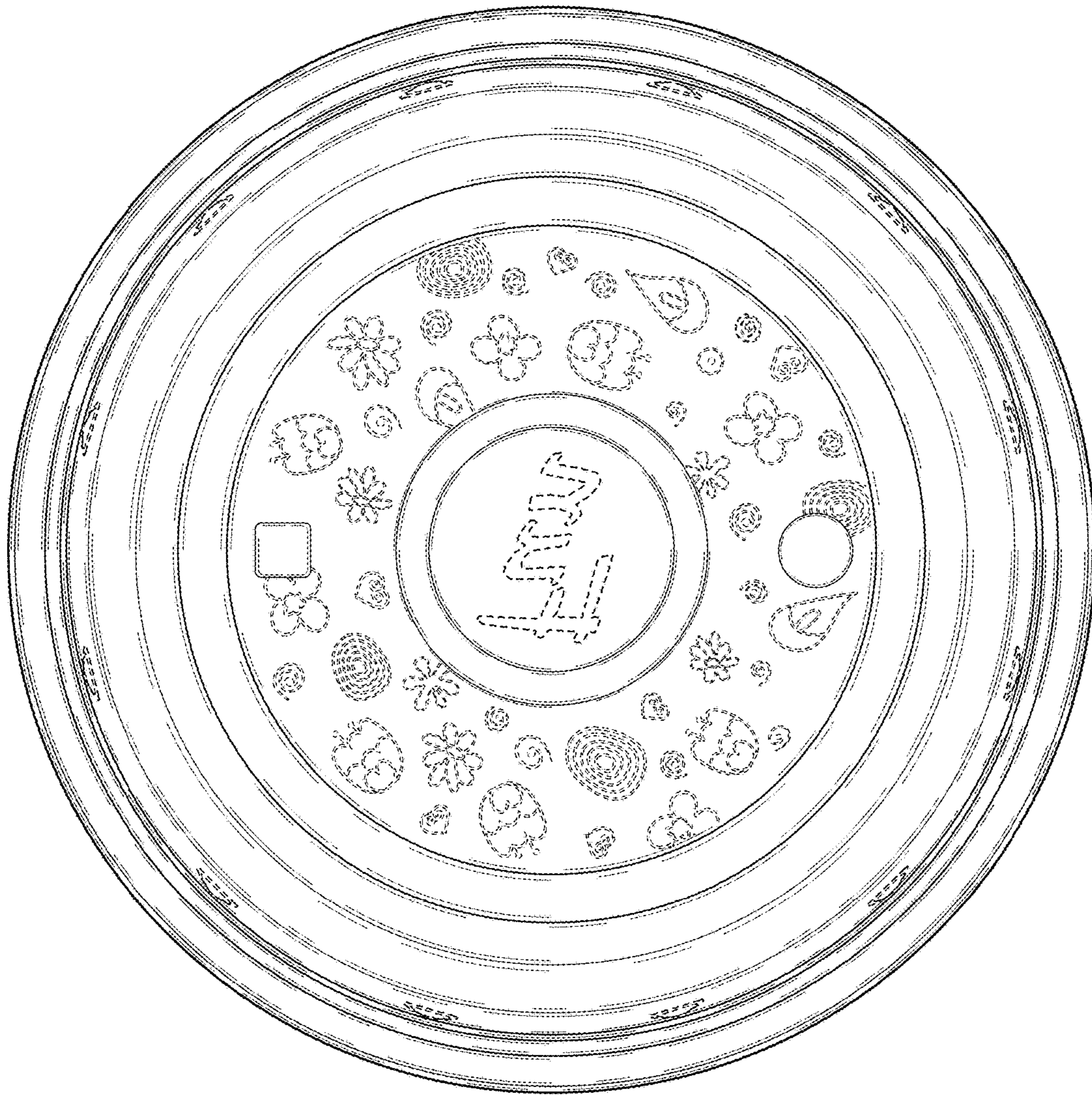


Fig. 3

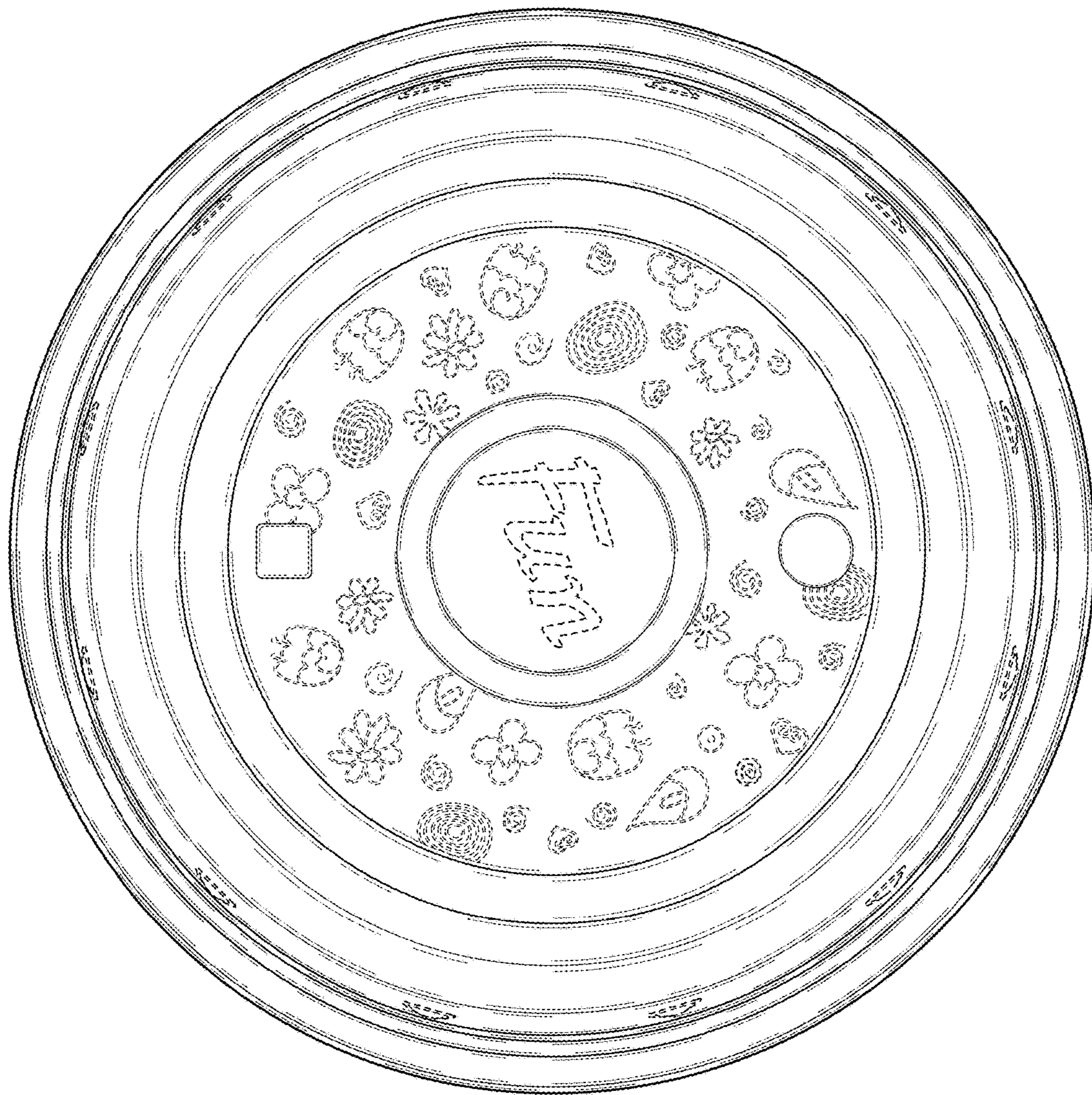


Fig.4

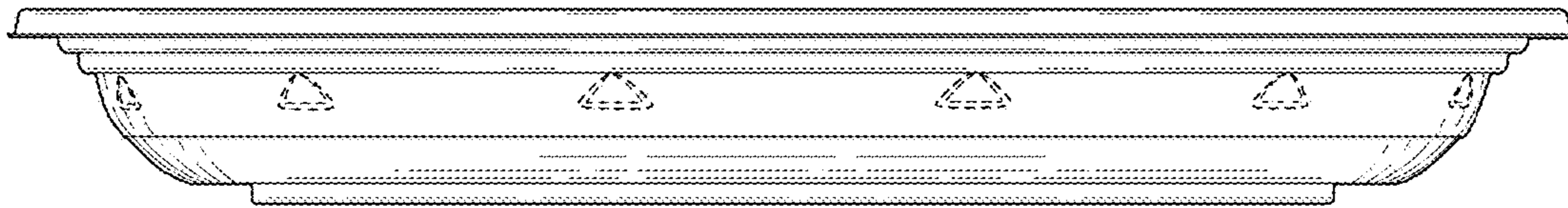


Fig. 5

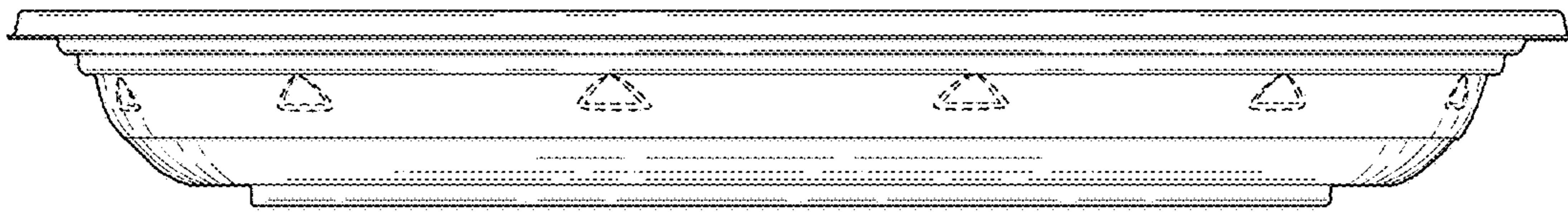


Fig.6

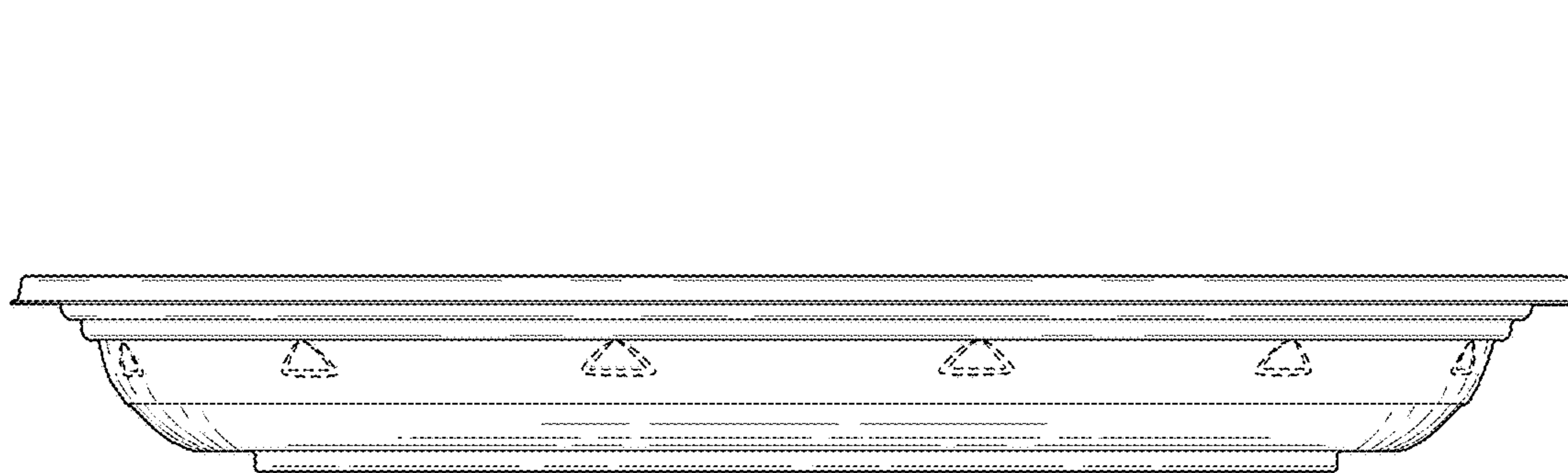


Fig. 7

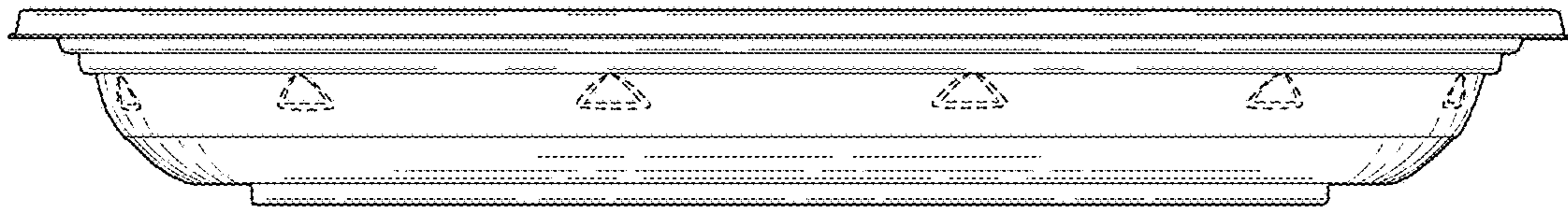


Fig. 8

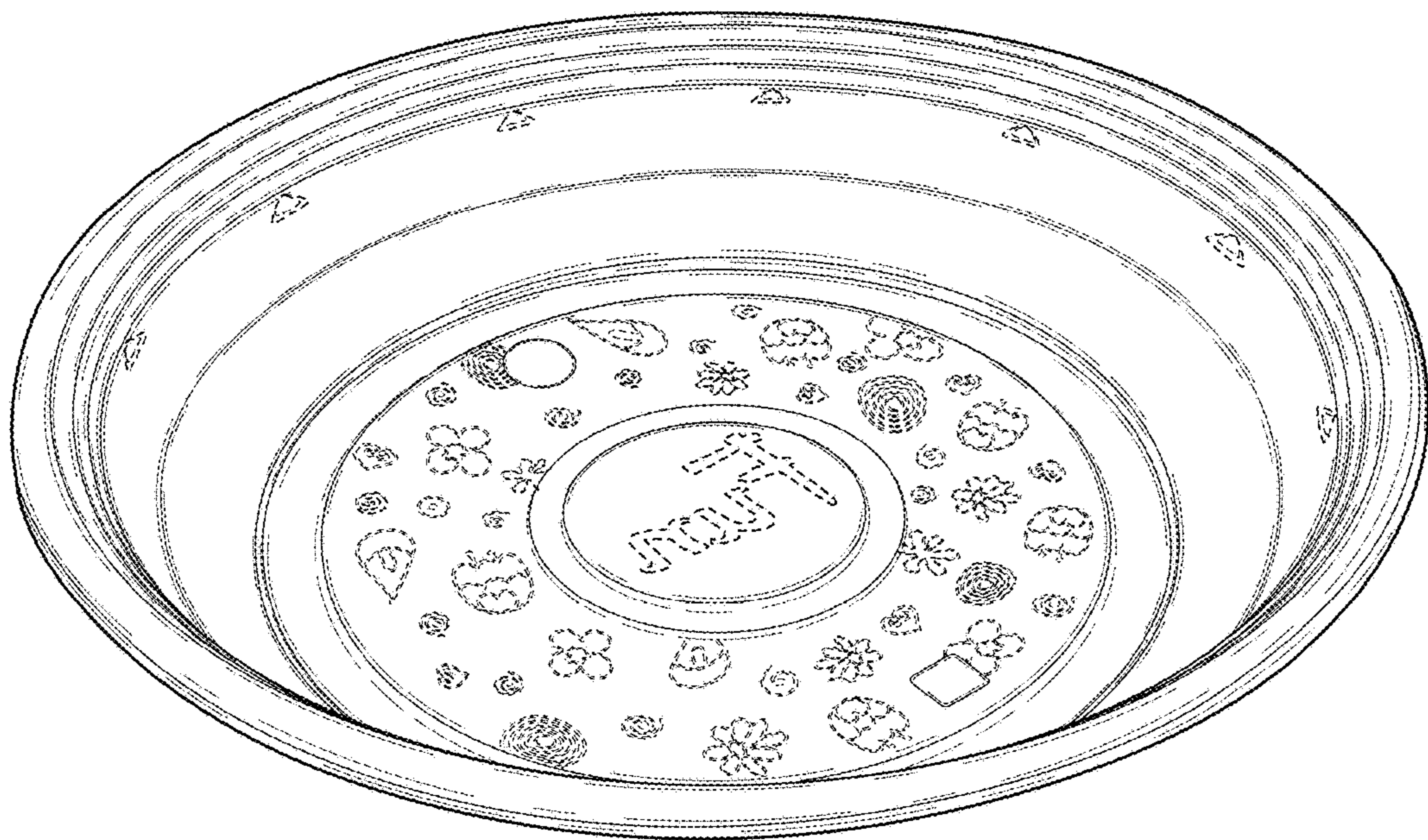


Fig.9

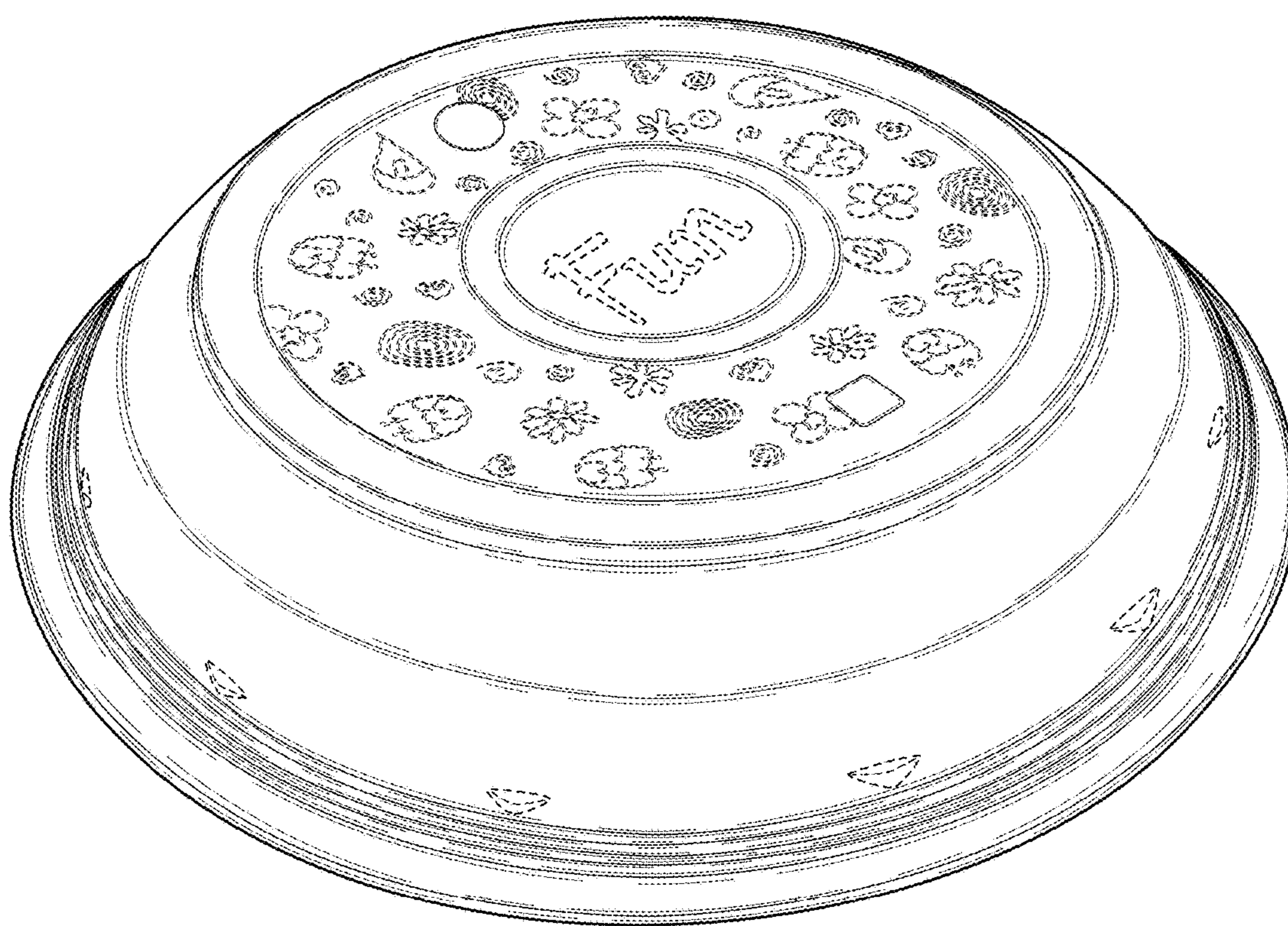


Fig. 10

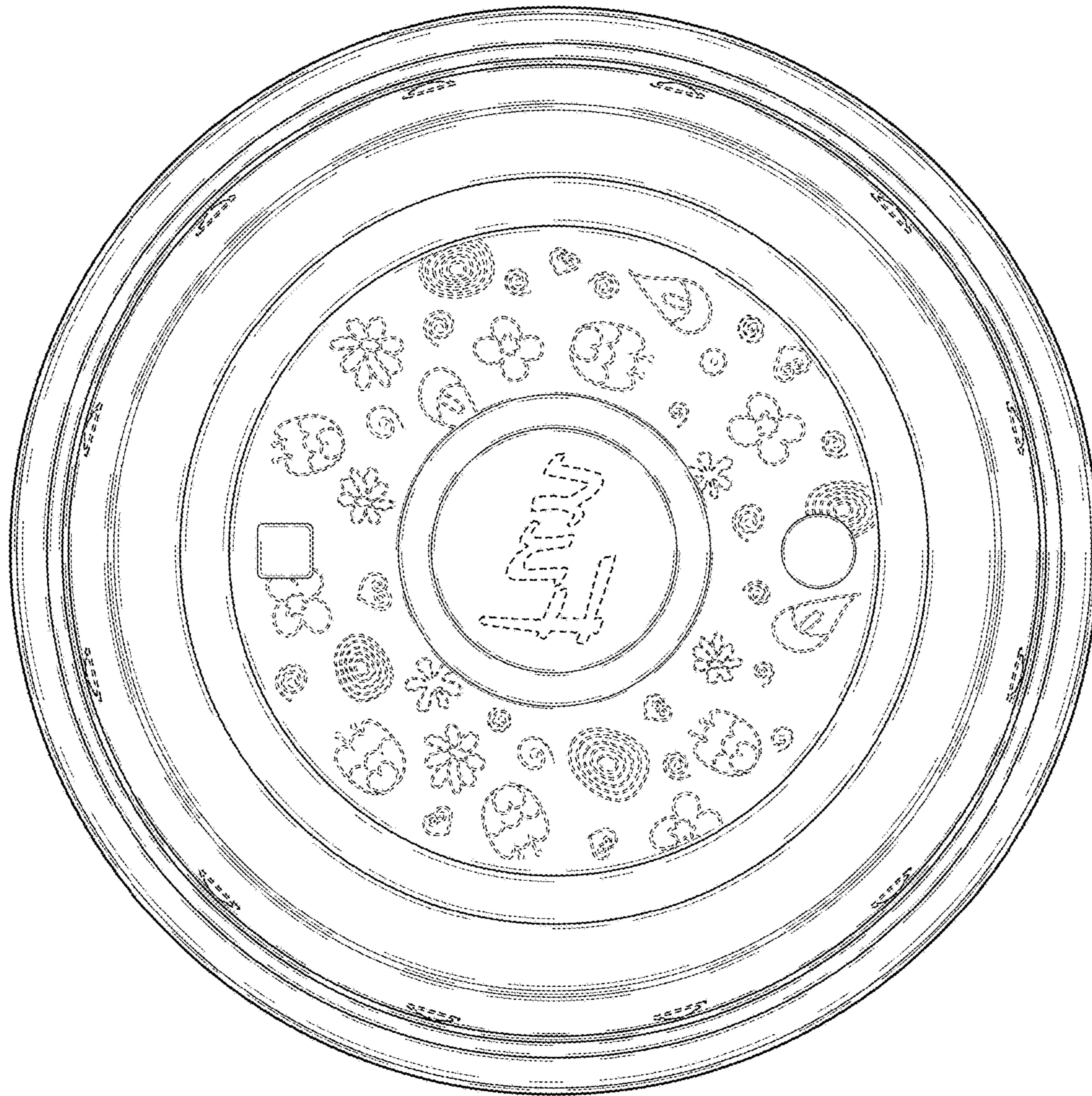


Fig. 11

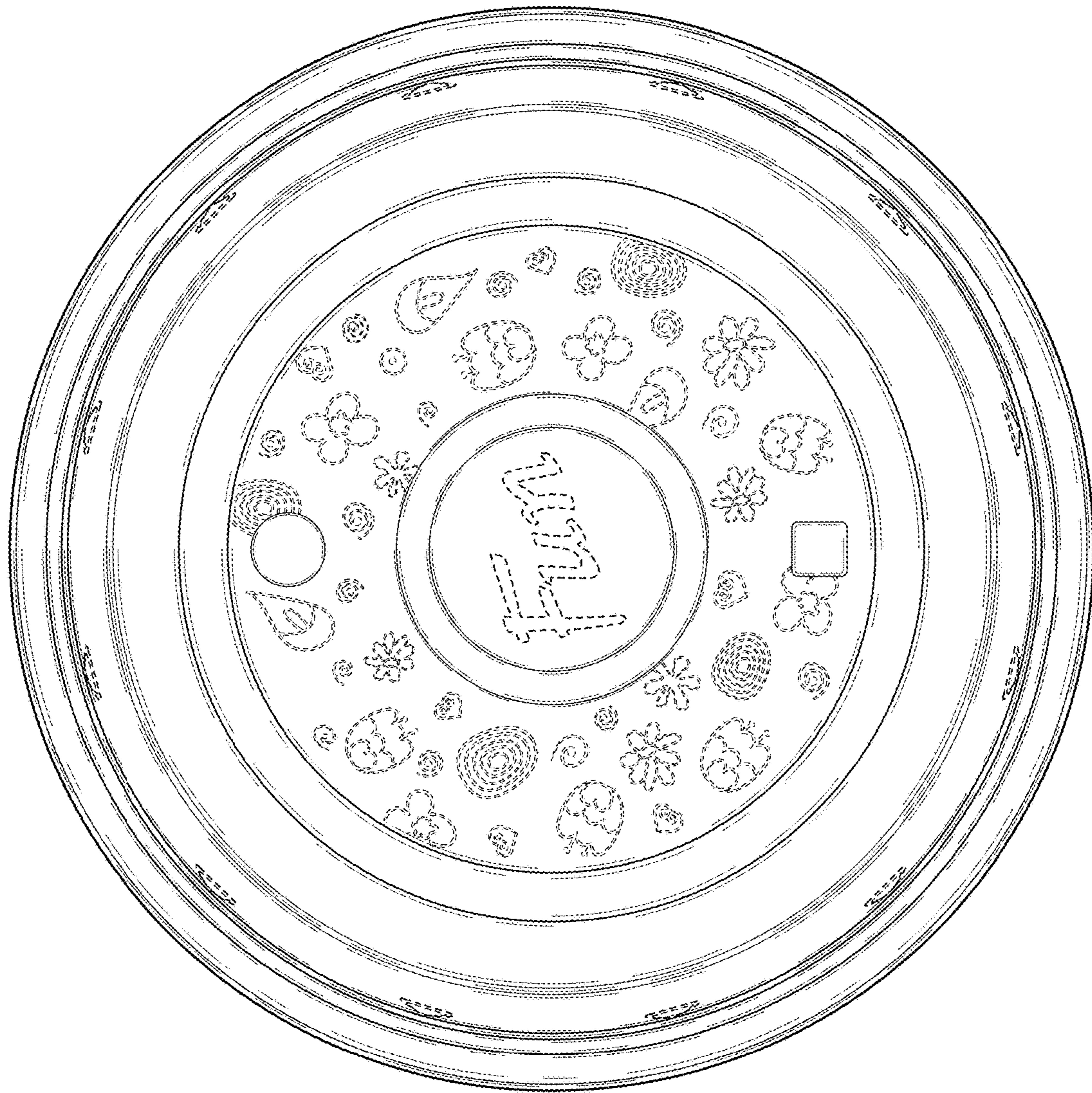


Fig. 12

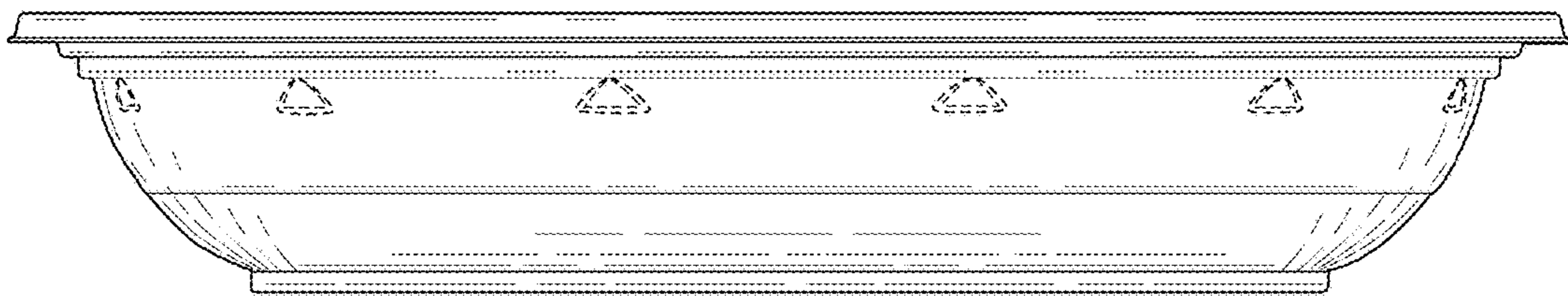


Fig. 13

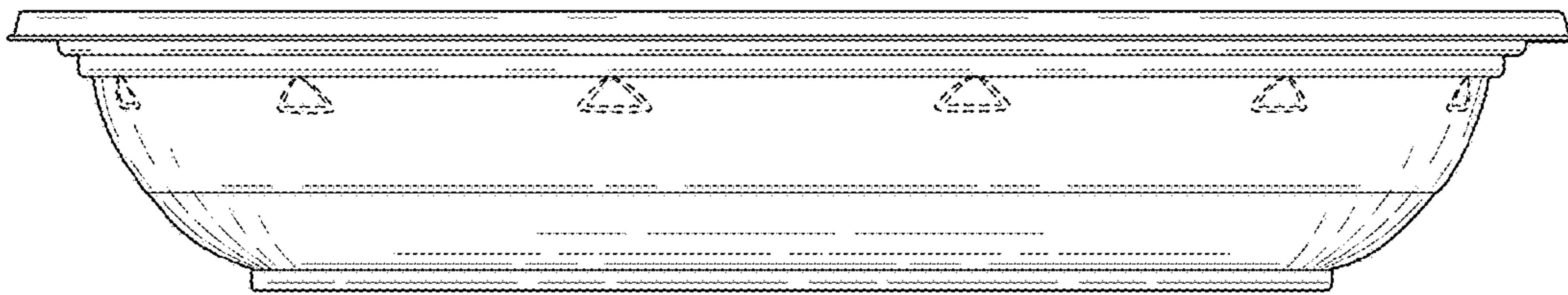


Fig. 14

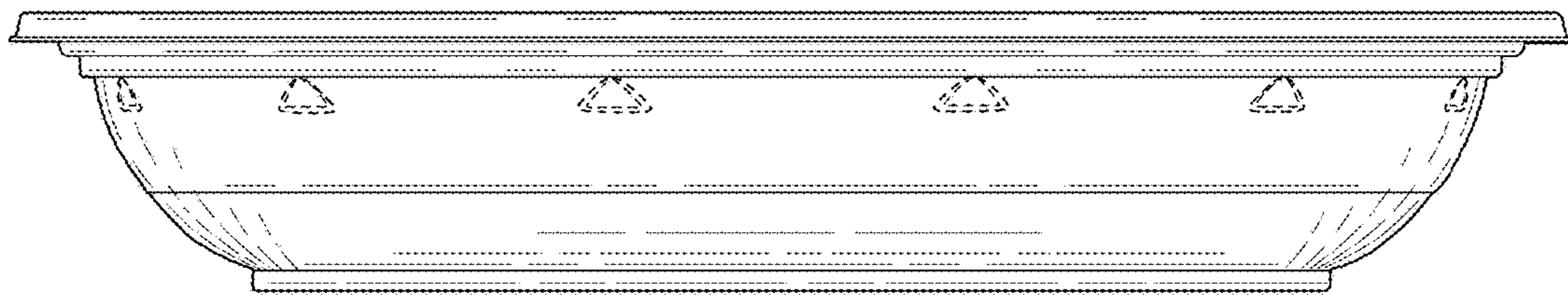


Fig. 15

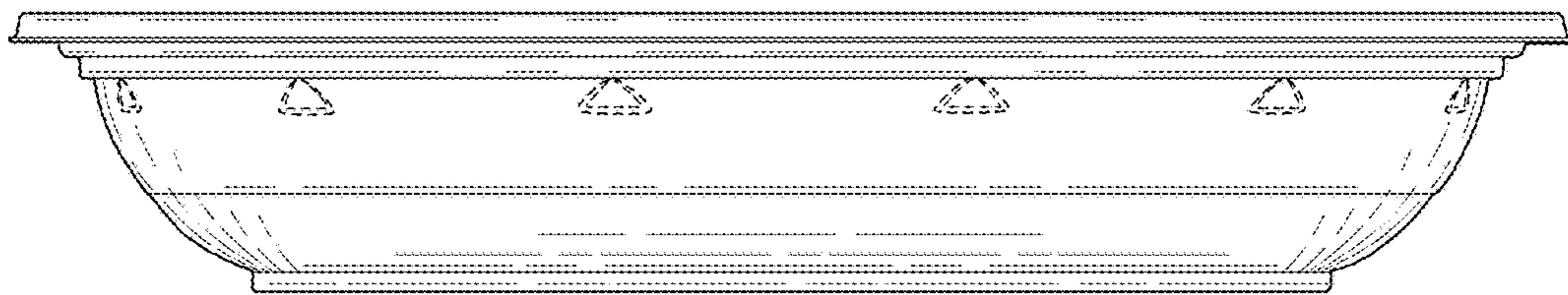


Fig.16

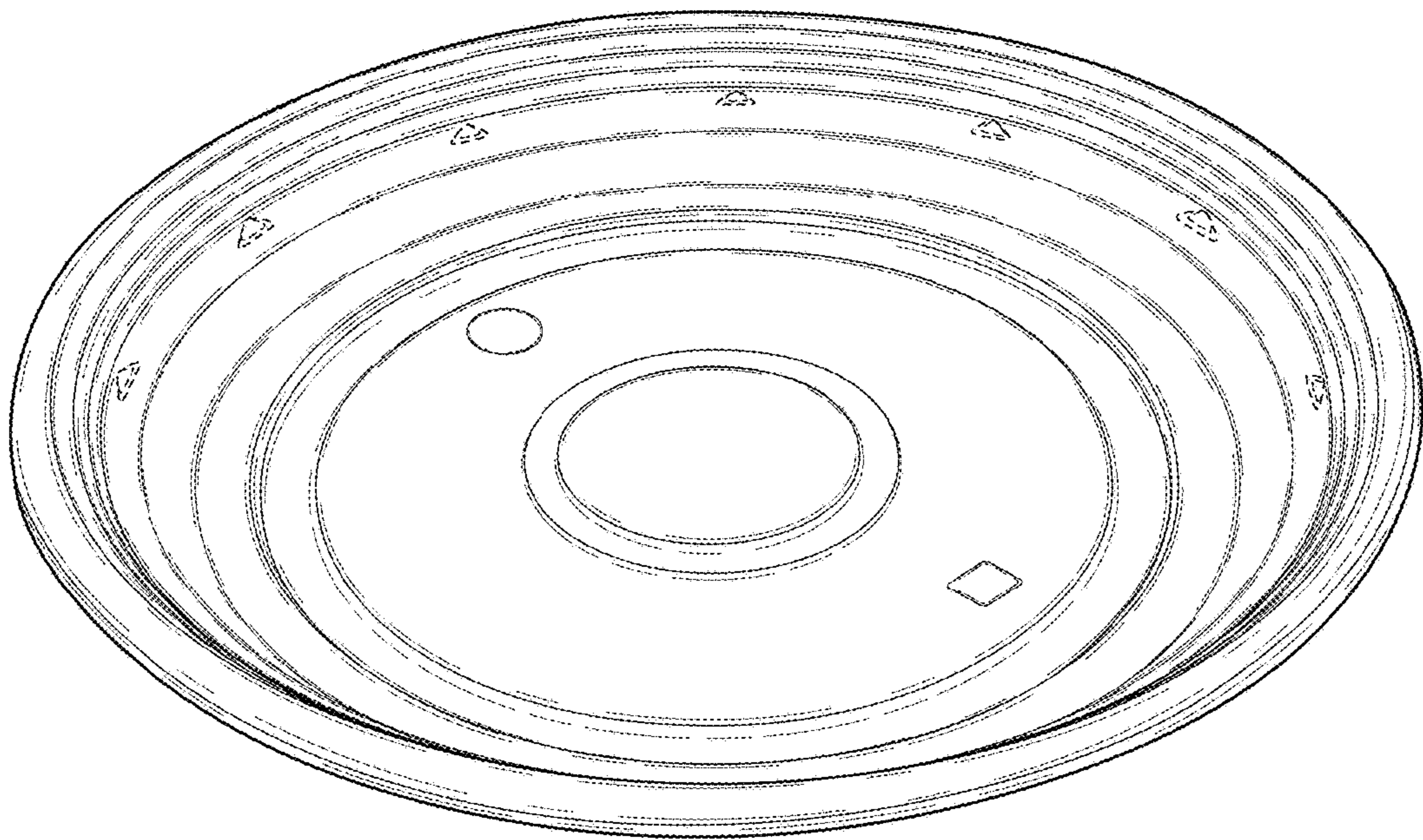


Fig.17

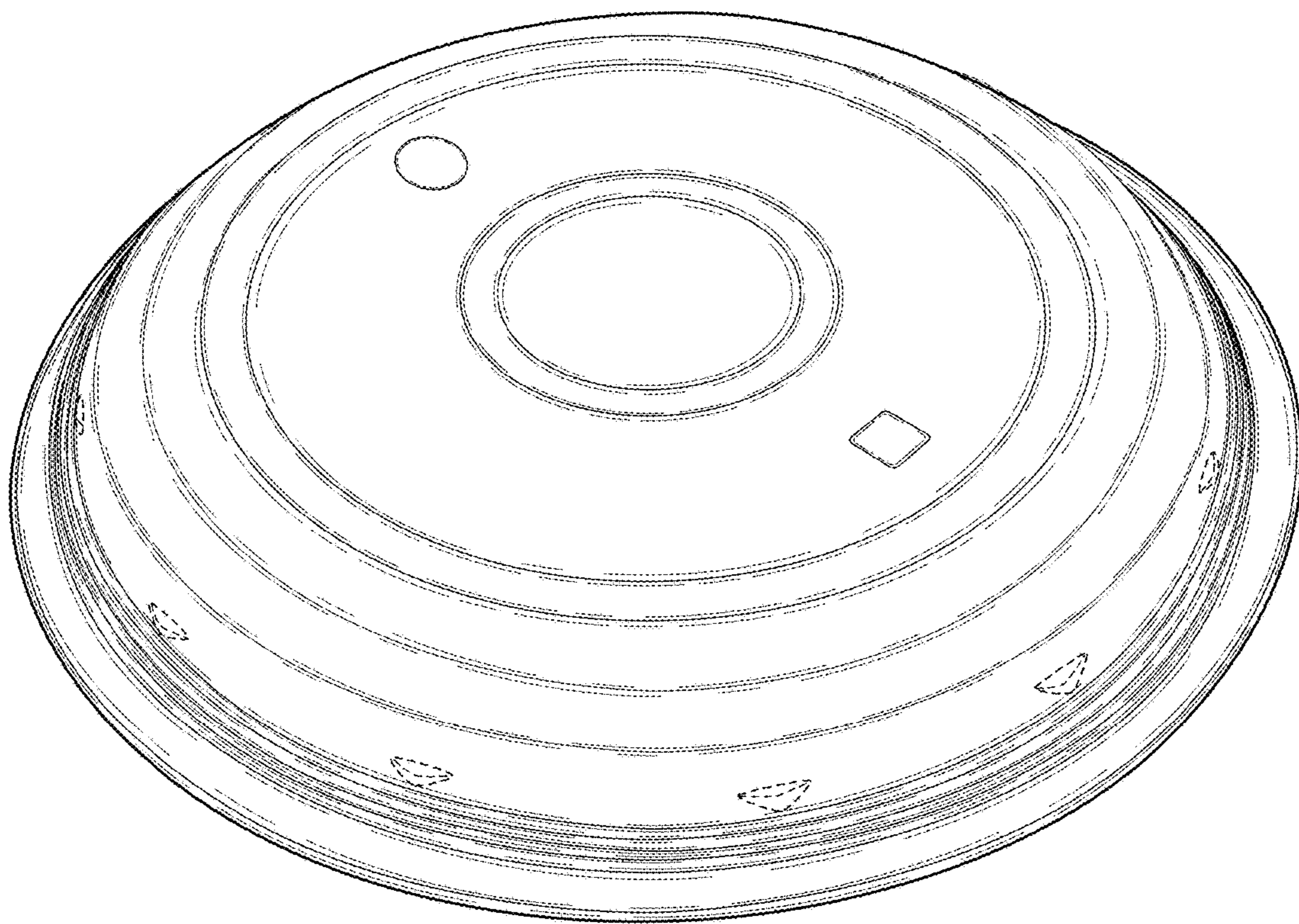


Fig. 18

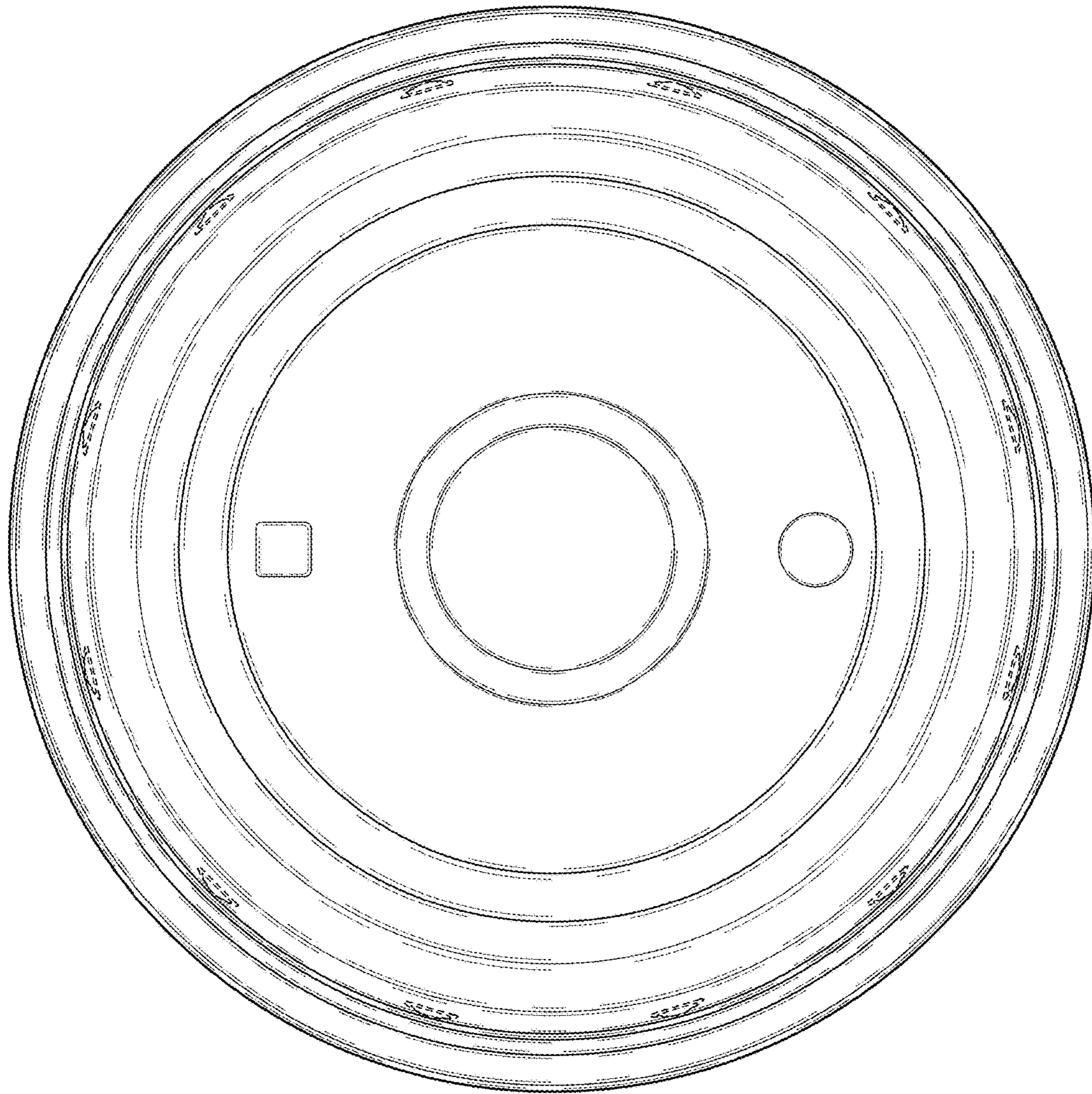


Fig. 19

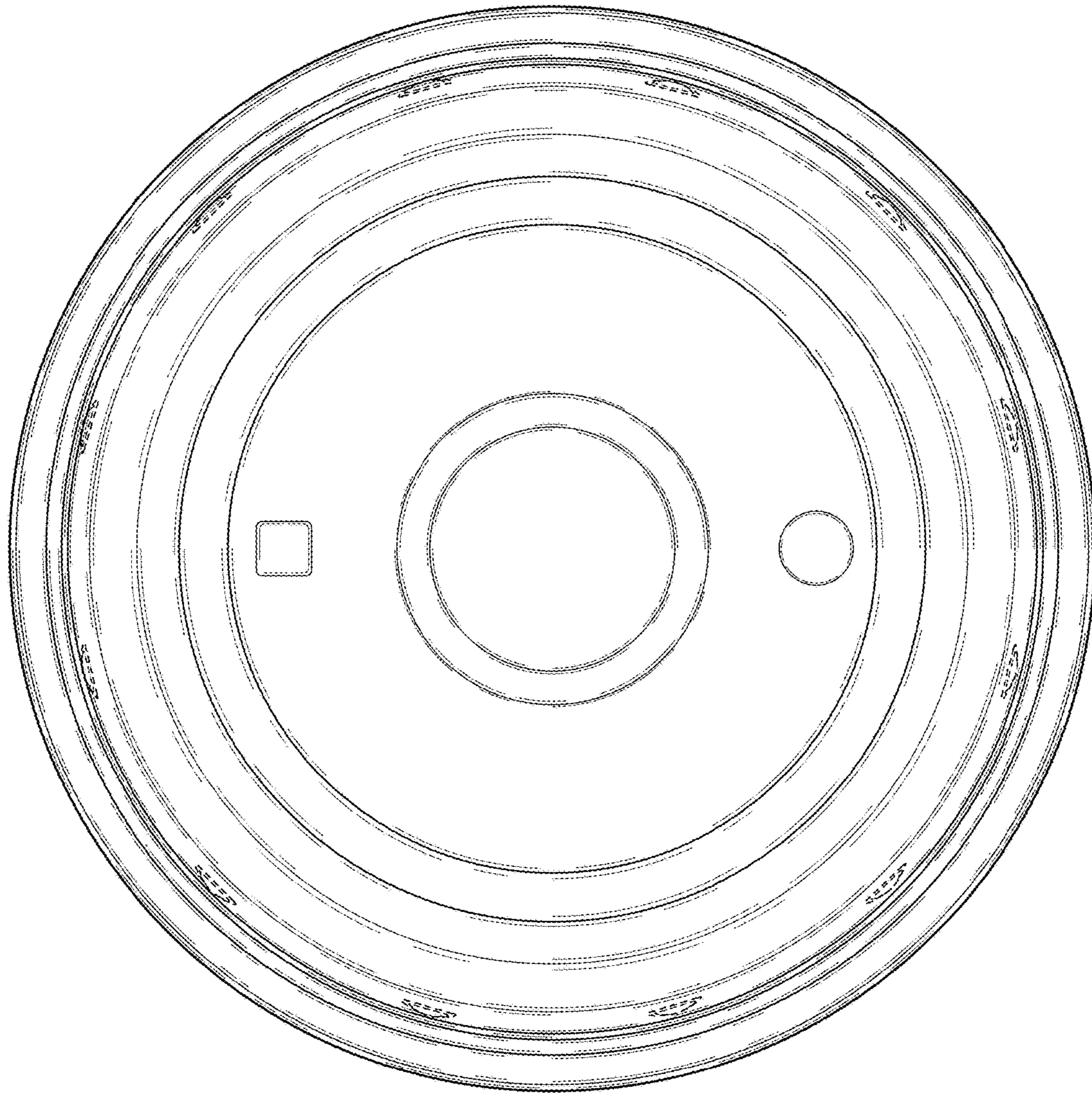


Fig.20

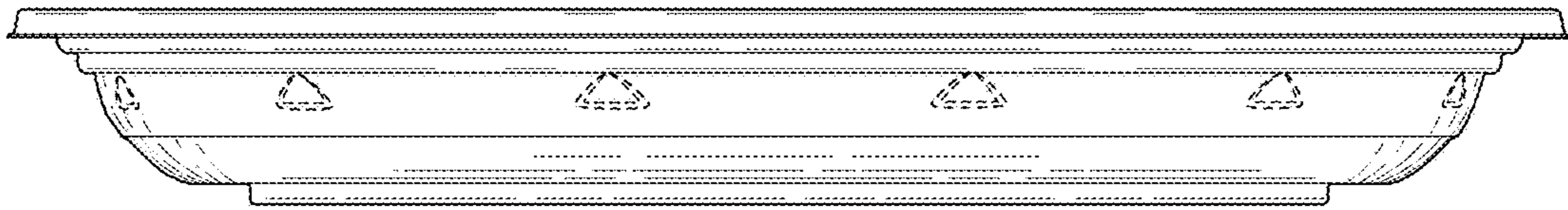


Fig.21

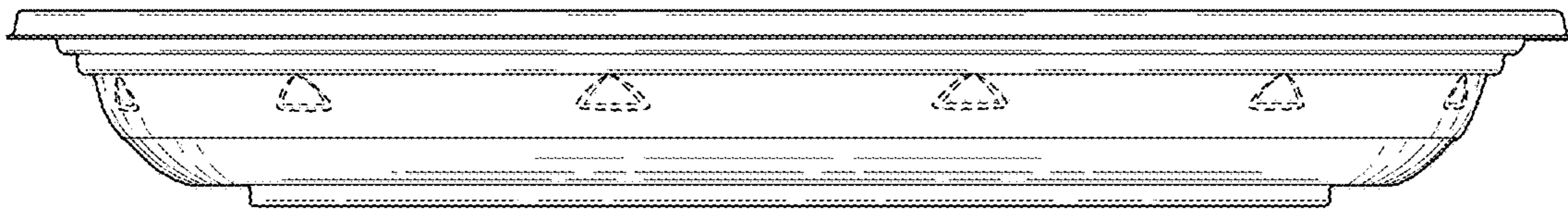


Fig.22

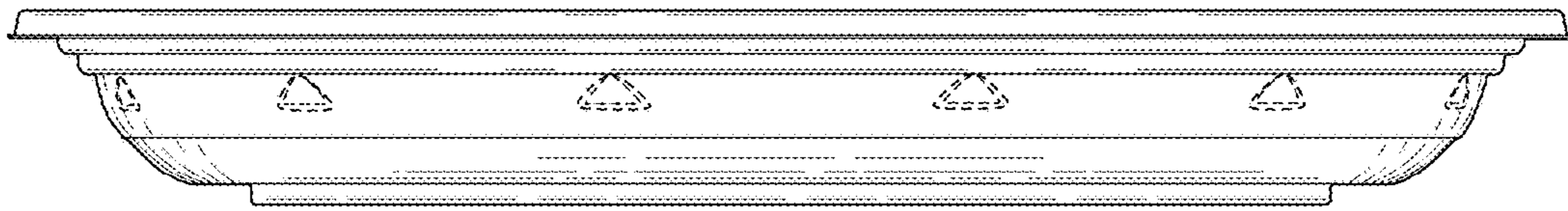


Fig.23

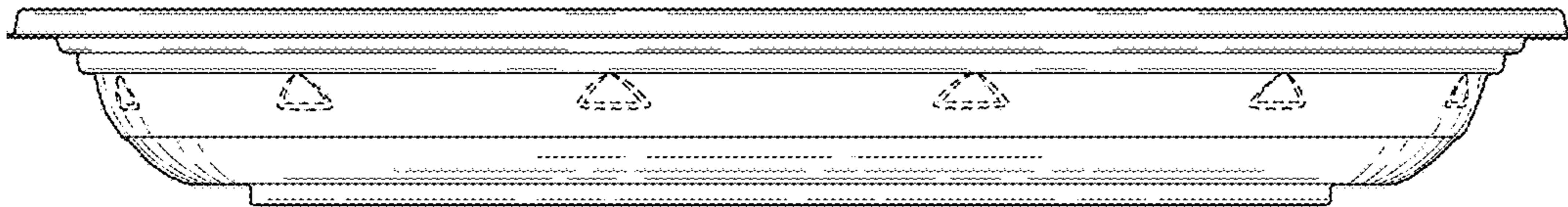


Fig.24

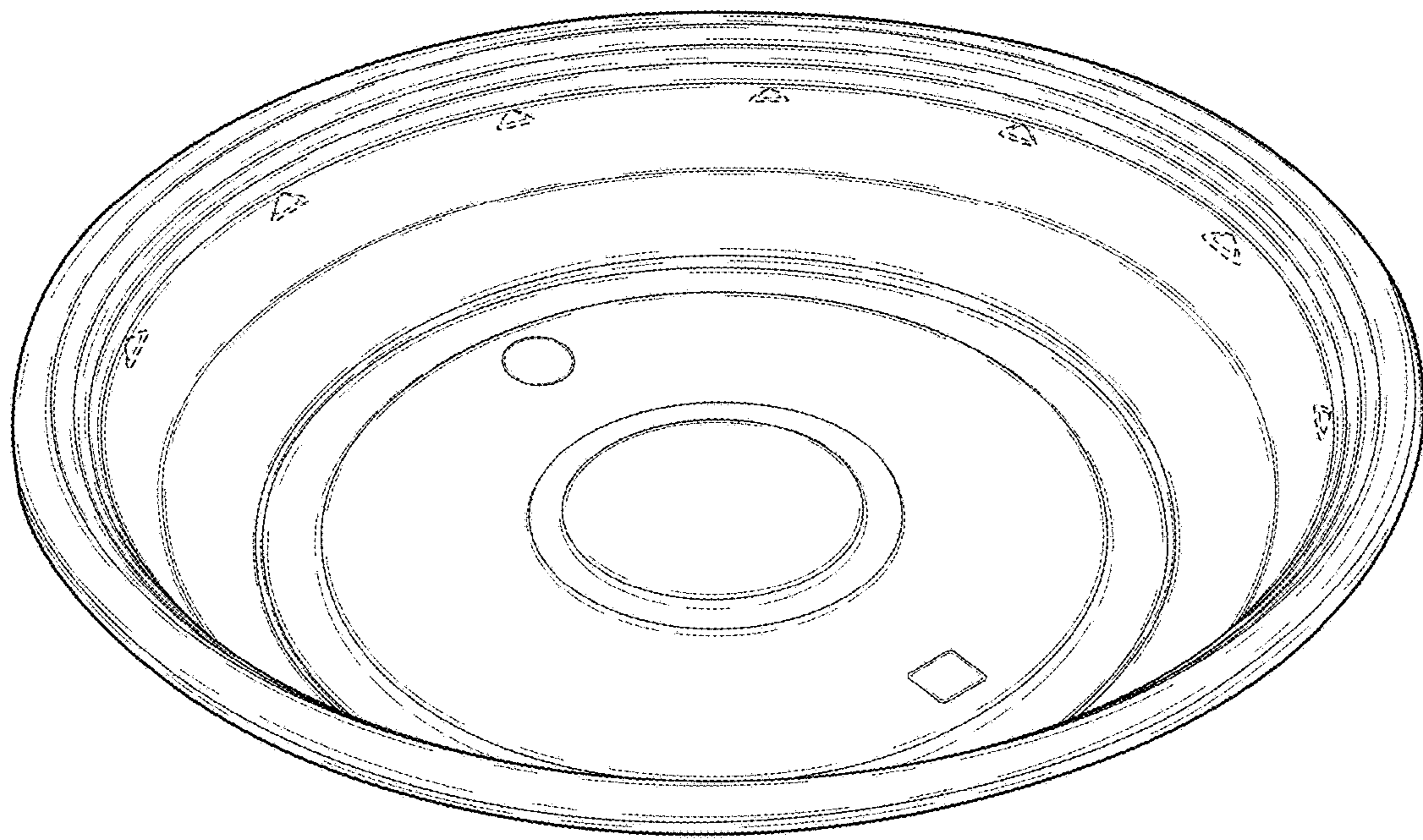


Fig.25

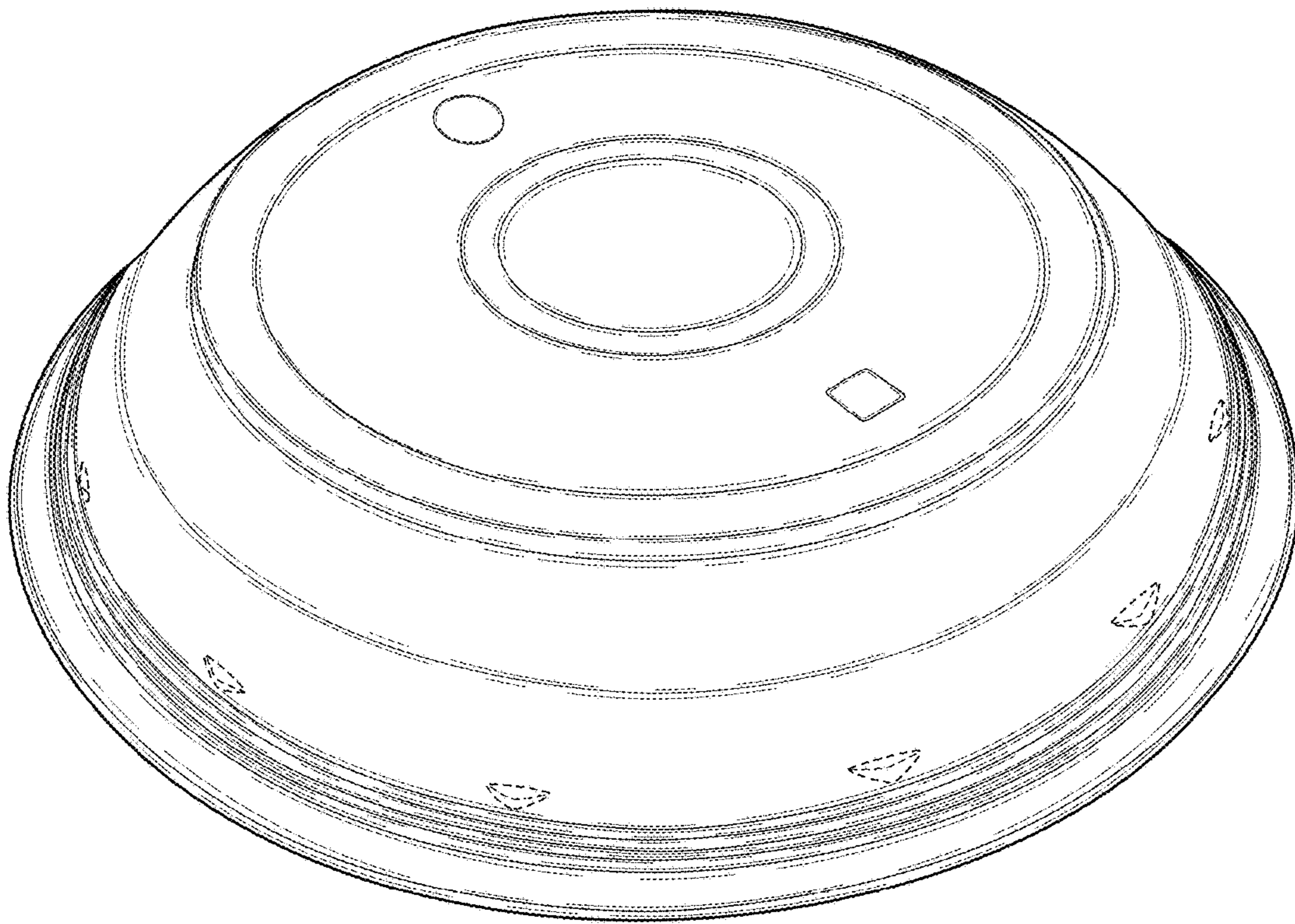


Fig.26

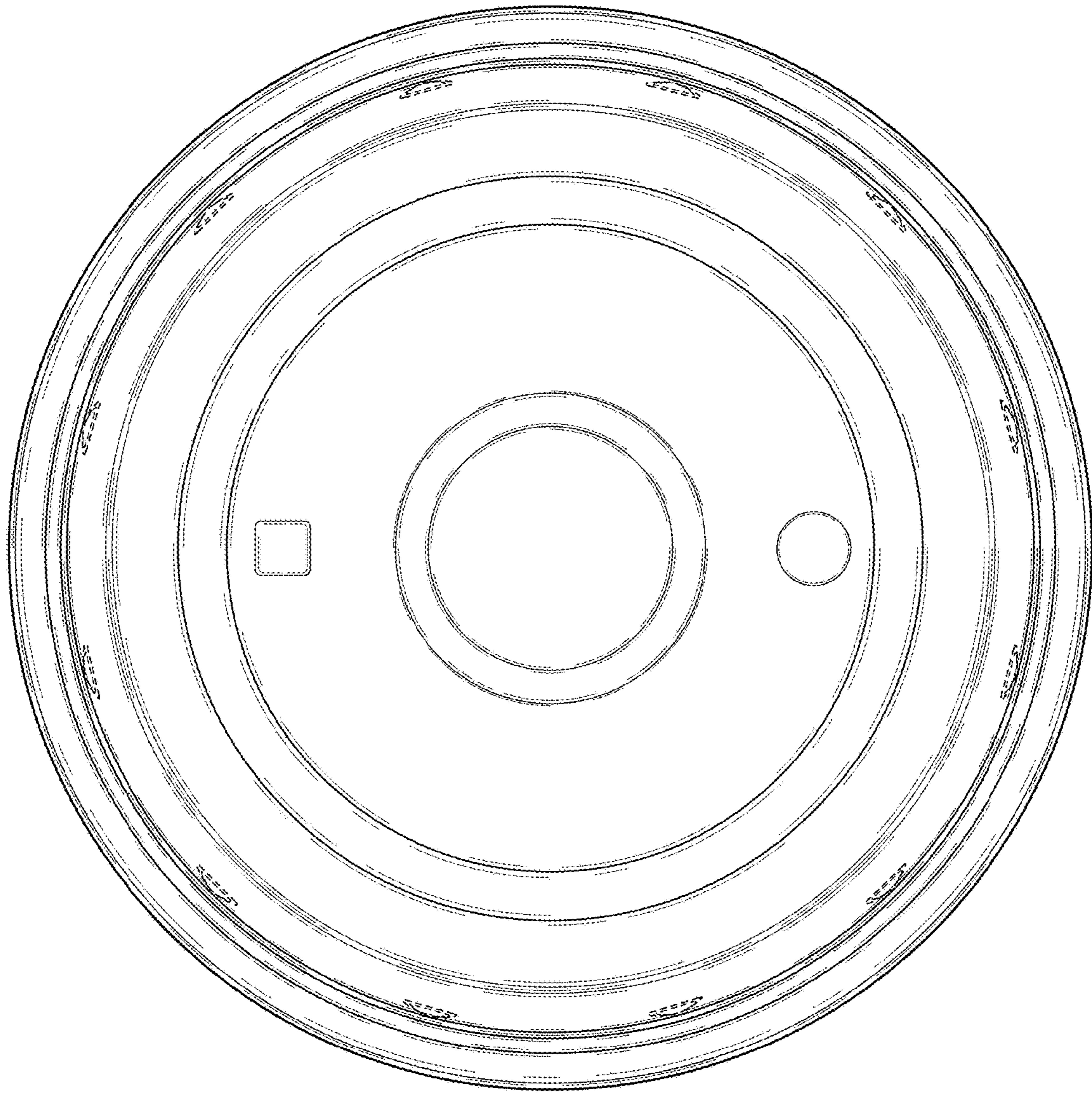


Fig.27

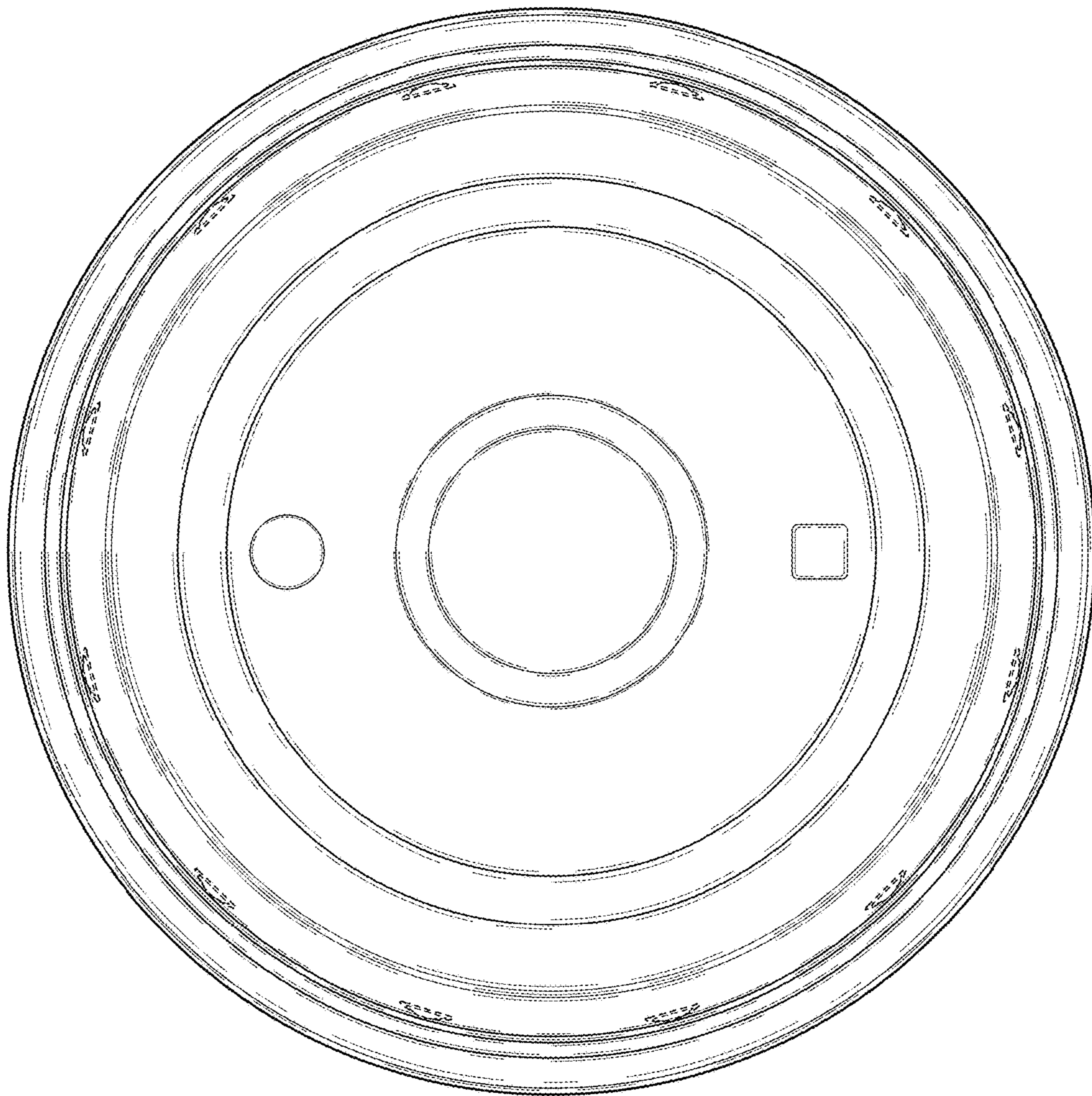


Fig.28

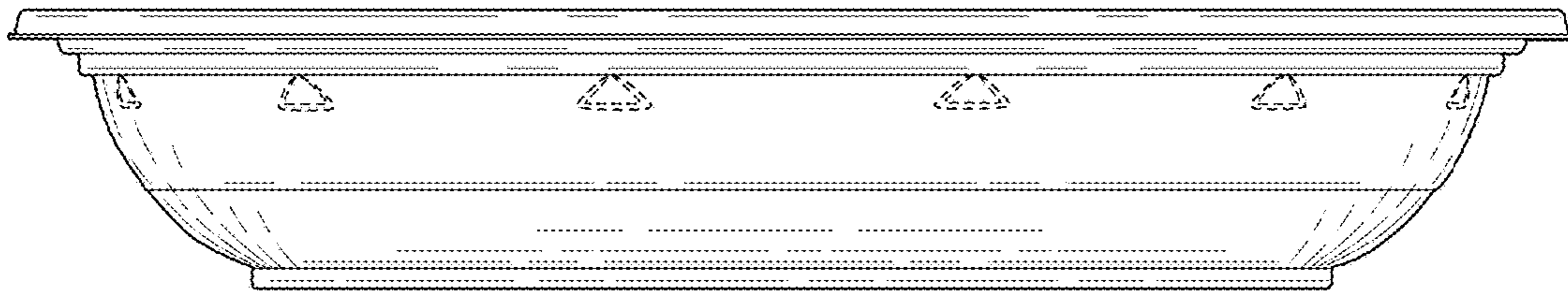


Fig.29

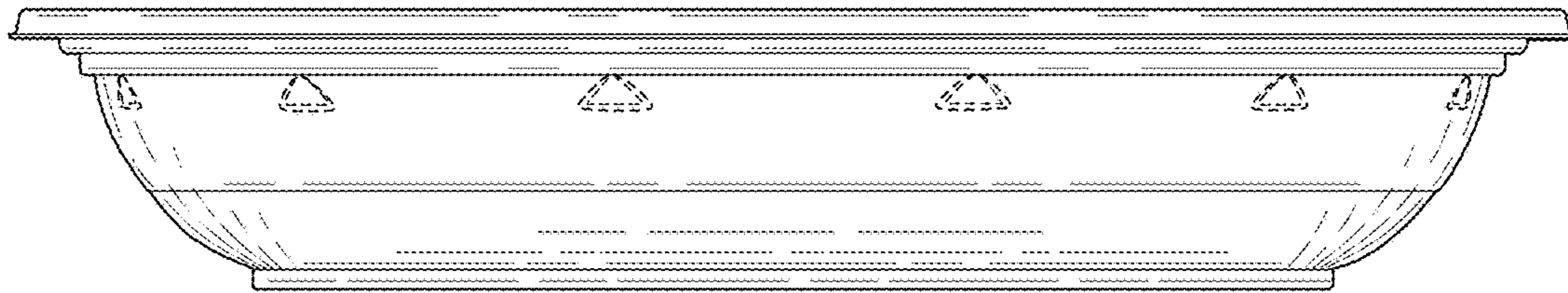


Fig.30

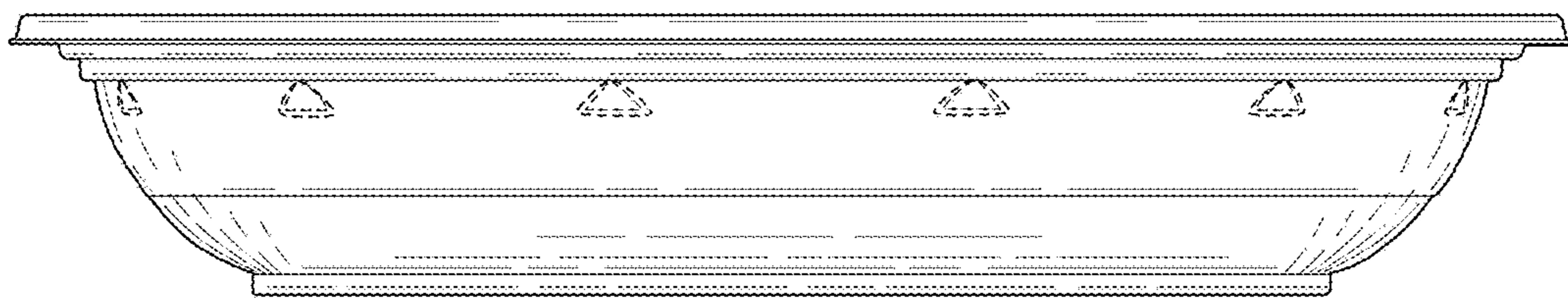


Fig.31

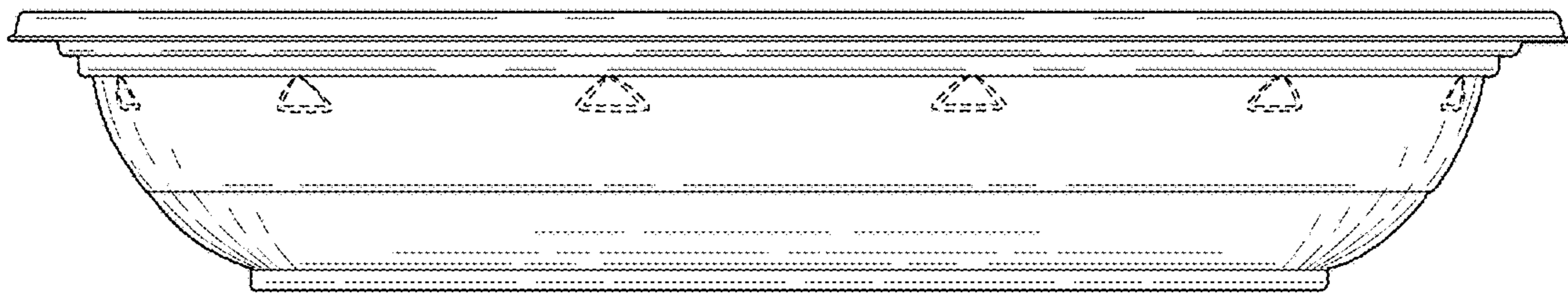


Fig.32