



US00D803001S

(12) **United States Design Patent**
Bodum

(10) **Patent No.:** **US D803,001 S**

(45) **Date of Patent:** **** Nov. 21, 2017**

- (54) **TUMBLER**
- (71) Applicant: **PI-Design AG**, Triengen (CH)
- (72) Inventor: **Jorgen Bodum**, Meggen (CH)
- (73) Assignee: **PI-Design AG**, Triengen (CH)
- (**) Term: **15 Years**
- (21) Appl. No.: **29/597,237**
- (22) Filed: **Mar. 15, 2017**

- 3,471,075 A * 10/1969 Wolf B65D 1/265
206/519
- 3,769,056 A * 10/1973 Sincock B05D 1/32
264/130
- 3,810,557 A 5/1974 Cline
- 4,096,947 A 6/1978 Morse
- 4,193,494 A 3/1980 Green
- 4,312,889 A * 1/1982 Melsheimer A23L 2/395
206/217
- D265,372 S * 7/1982 Groenewold D7/523
(Continued)

Related U.S. Application Data

- (62) Division of application No. 29/505,432, filed on Jun. 8, 2015.

Foreign Application Priority Data

- Dec. 11, 2014 (WO) DM/085091
- (51) **LOC (10) Cl.** **07-01**
- (52) **U.S. Cl.**
USPC **D7/523; D7/532**
- (58) **Field of Classification Search**
USPC D7/507, 509, 510, 511, 523, 529, 530,
D7/531, 532, 533, 536, 392.1, 396.2, 394,
D7/396.4, 300, 1, 642, 688, 697, 690,
D7/624.1, 624.2; 220/592.16, 592.17,
220/710.5, 495.03; D9/565, 552, 455,
D9/454, 434; D5/53, 59; D10/46.2
CPC B65D 47/066; A47J 43/27; A47G 19/22;
A47G 19/2222; A47G 19/2227; A45F
3/20
See application file for complete search history.

References Cited

U.S. PATENT DOCUMENTS

- 723,796 A 3/1903 Williams
- 2,051,446 A 8/1936 Ice
- 3,269,144 A 8/1966 Poris

OTHER PUBLICATIONS

Select portions of Bodum Collection Catalogue, Jan. 2015, 5 pages.

Primary Examiner — Marianne Pandozzi

Assistant Examiner — Jae Liang

(74) *Attorney, Agent, or Firm* — McDonnell Boehnen
Hulbert & Berghoff LLP

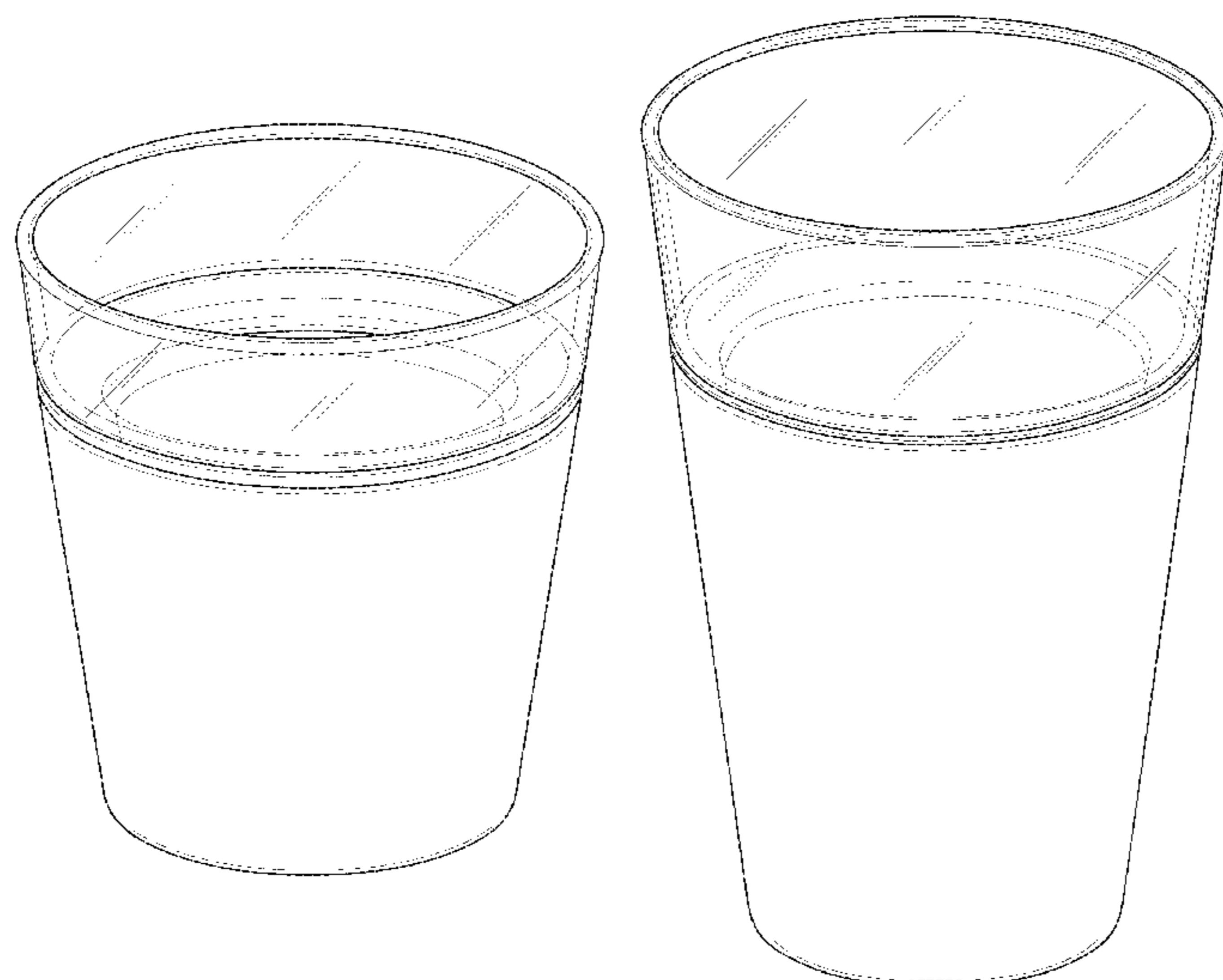
(57) **CLAIM**

The ornamental design for a tumbler, as shown and described.

DESCRIPTION

FIG. 1 is a perspective view of a first embodiment of a tumbler showing my new design;
 FIG. 2 is a front view thereof; the rear, right side and left side views being identical;
 FIG. 3 is a top view thereof;
 FIG. 4 is a bottom view thereof;
 FIG. 5 is a perspective view of a second embodiment of a tumbler;
 FIG. 6 is a front view thereof; the rear, right side and left side views being identical;
 FIG. 7 is a top view thereof; and,
 FIG. 8 is a bottom view thereof
 The broken lines in the drawing depict portions of the tumbler that form no part of the claimed design.

1 Claim, 6 Drawing Sheets



(56)

References Cited

U.S. PATENT DOCUMENTS

4,420,081	A *	12/1983	Dart	B65D 1/265 206/519
D281,296	S	11/1985	Umanoff	
D282,134	S	1/1986	Durand	
5,076,463	A	12/1991	McGraw	
D335,382	S *	5/1993	O'Brien	D7/509
5,938,015	A	8/1999	Candy	
D448,241	S	9/2001	Morris	
6,676,269	B1 *	1/2004	Dorney	A47G 19/2227 362/101
D536,579	S	2/2007	Roth et al.	
D553,437	S	10/2007	Bodum	
D553,909	S	10/2007	Bodum	
D563,733	S *	3/2008	Wang	D7/603
D566,471	S	4/2008	Bodum	
D568,103	S	5/2008	Bodum	
D568,685	S	5/2008	Bodum	
D577,253	S	9/2008	Bodum	
D581,738	S	12/2008	Bodum	
D587,528	S *	3/2009	Trombly	D7/536
D599,619	S	9/2009	Bodum	
D670,836	S	11/2012	Hisey et al.	
D682,035	S *	5/2013	Monugian	D7/523
D694,112	S	11/2013	Brown	
D754,478	S	4/2016	Kushner	
D757,497	S *	5/2016	Bodum	D7/509
D758,802	S *	6/2016	Bodum	D7/523
D766,661	S *	9/2016	Bodum	D7/523
D772,653	S	11/2016	Miller	
D774,827	S *	12/2016	Miller	D7/507
2011/0262875	A1 *	10/2011	Lin	C11C 5/004 431/289

* cited by examiner

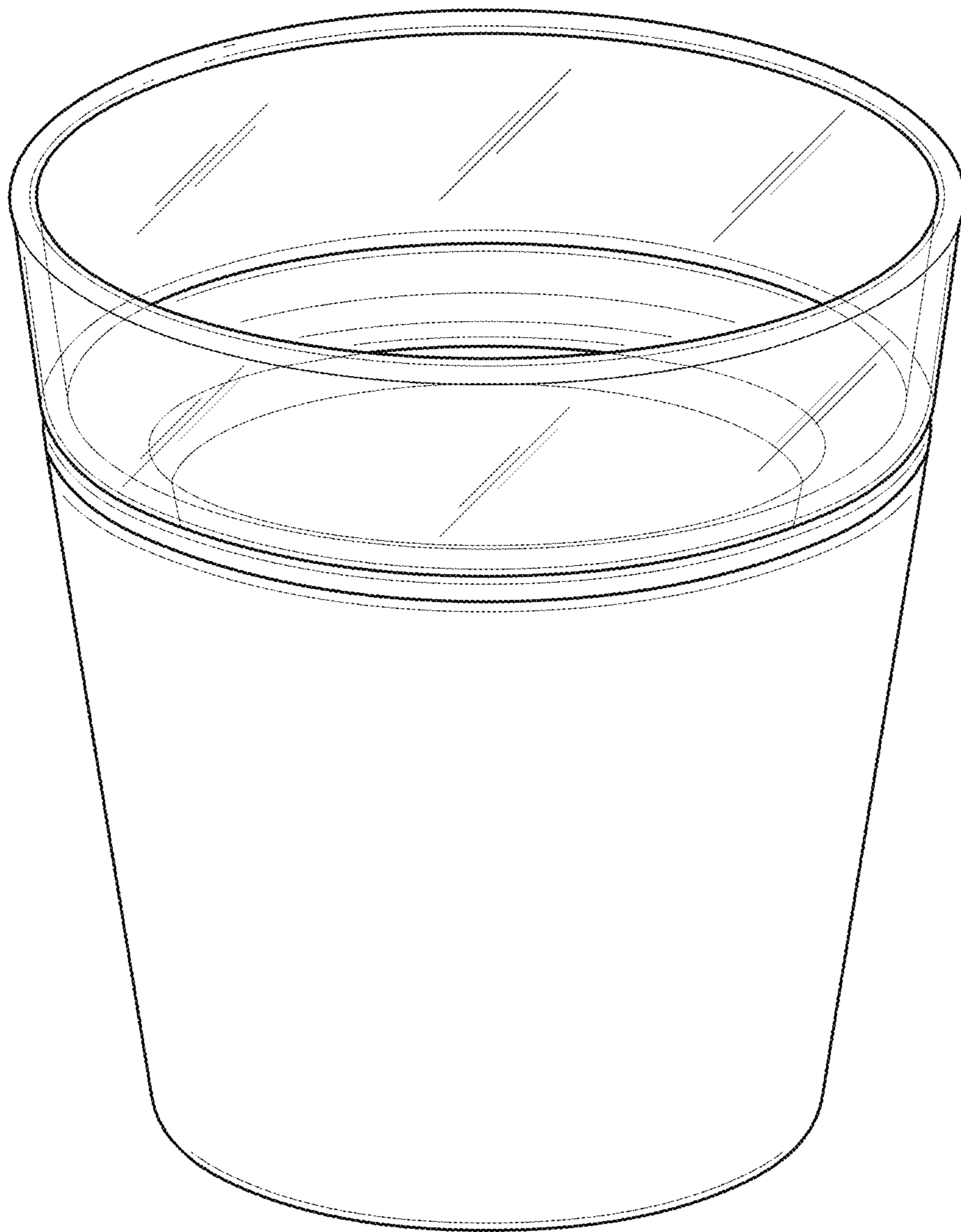


FIG. 1

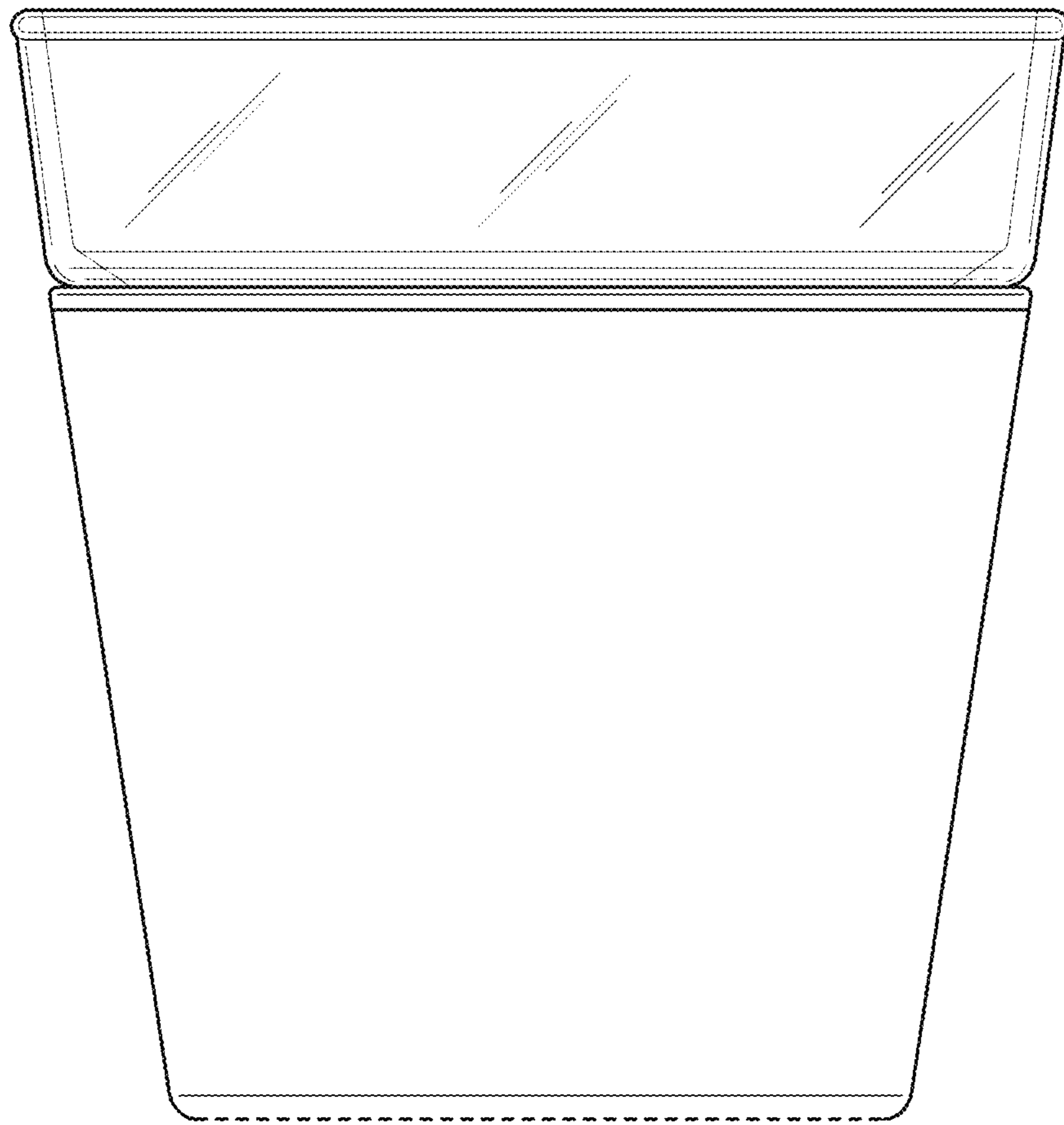


FIG. 2

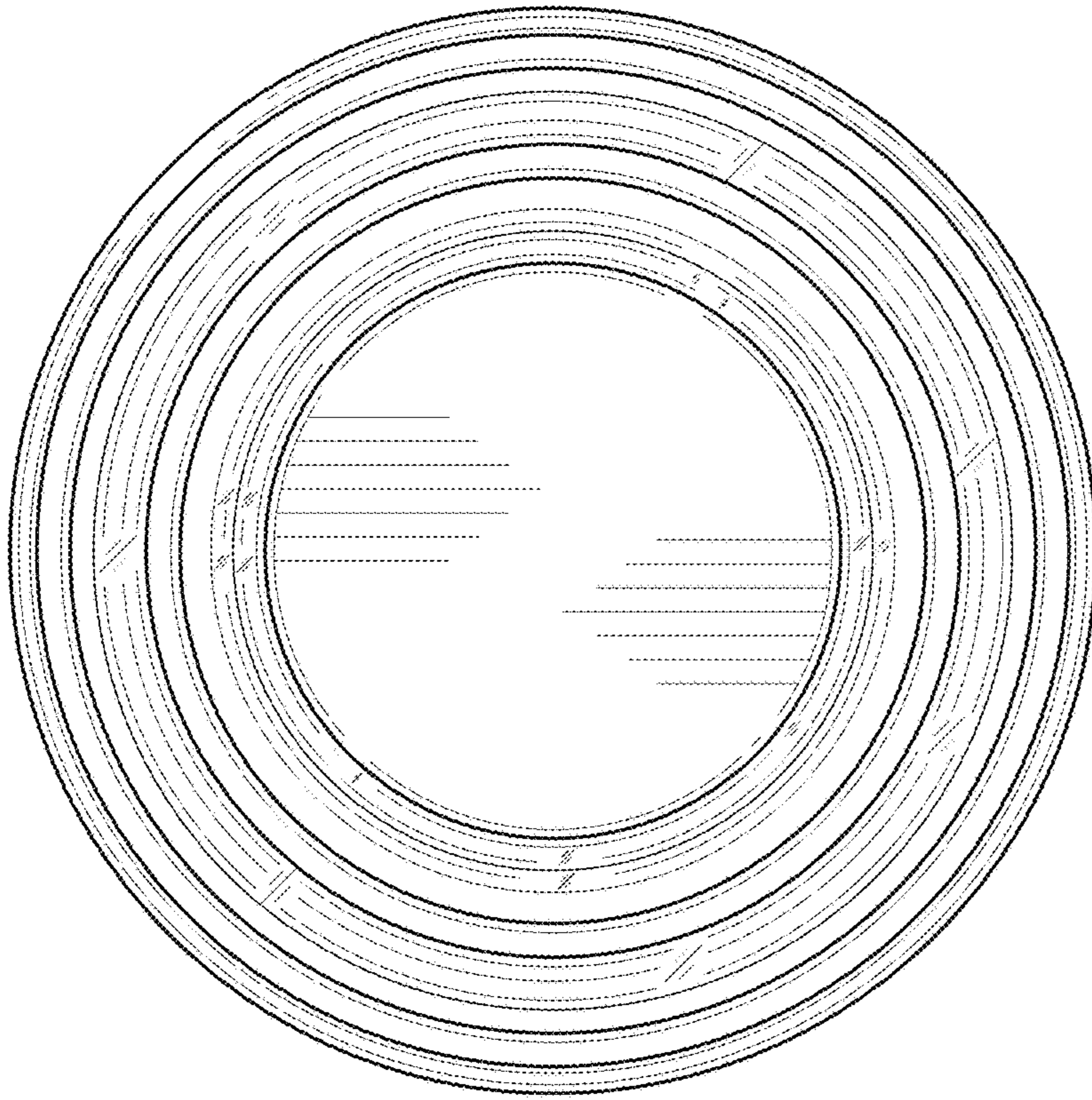


FIG. 3

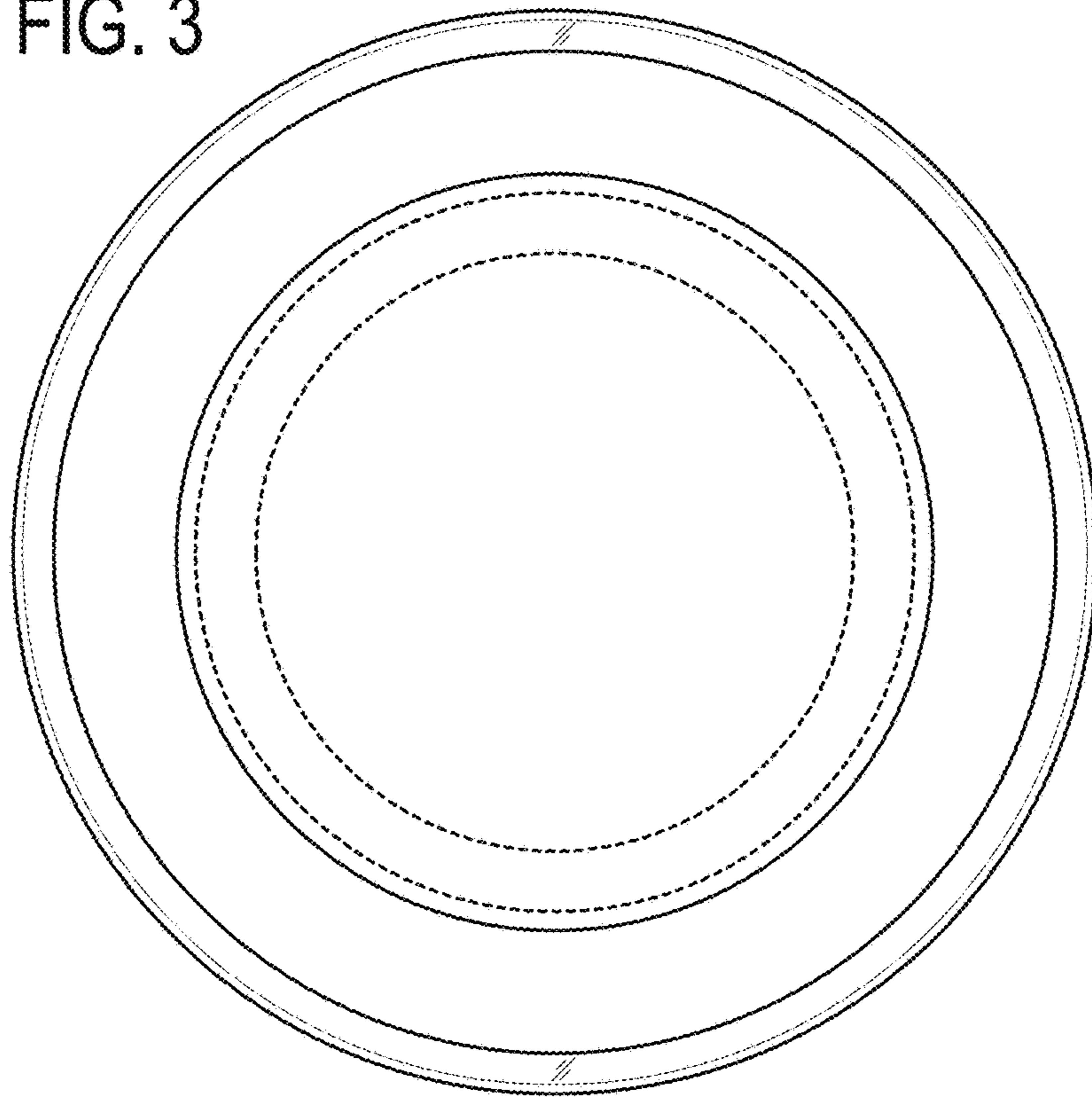


FIG. 4



FIG. 5

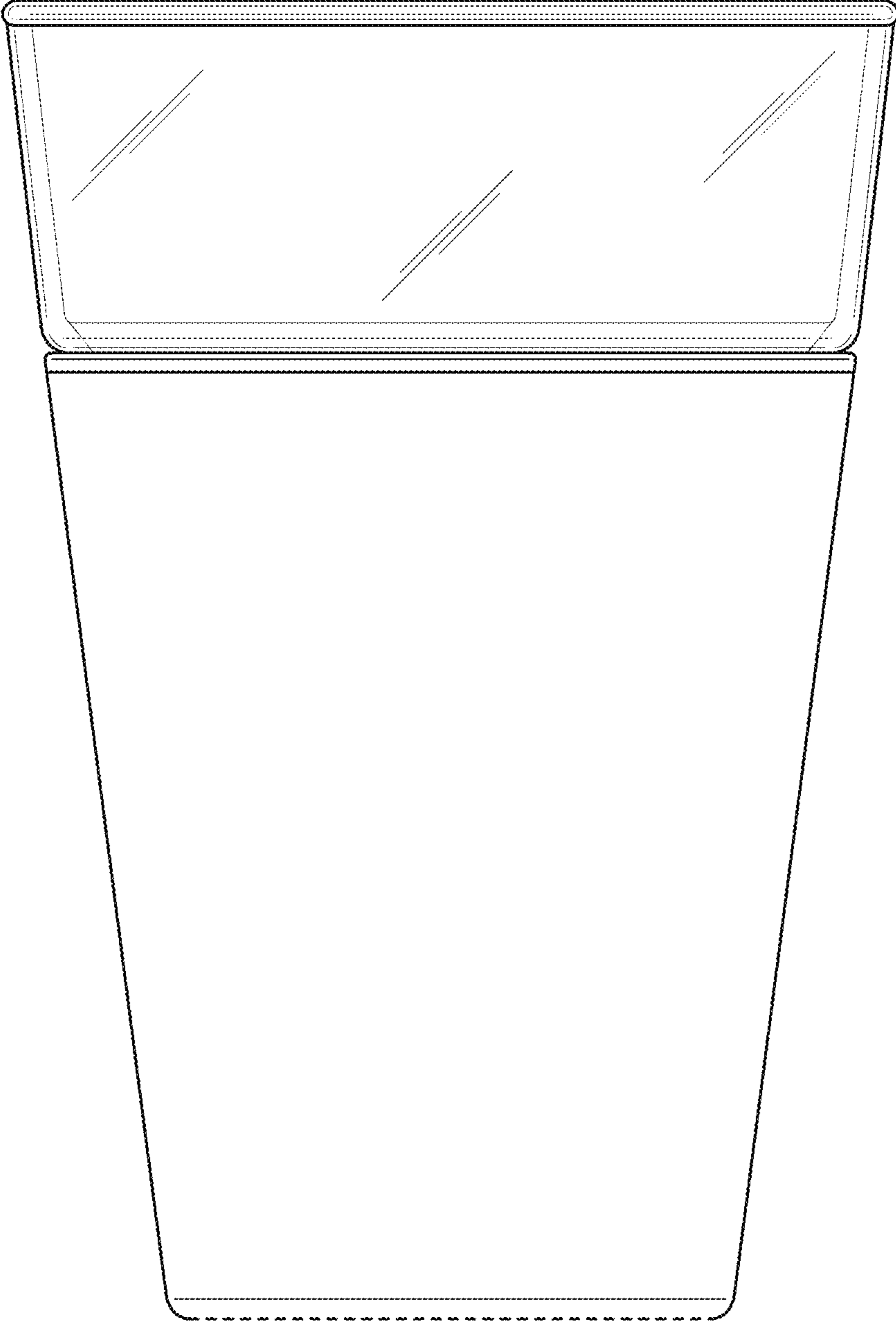


FIG. 6

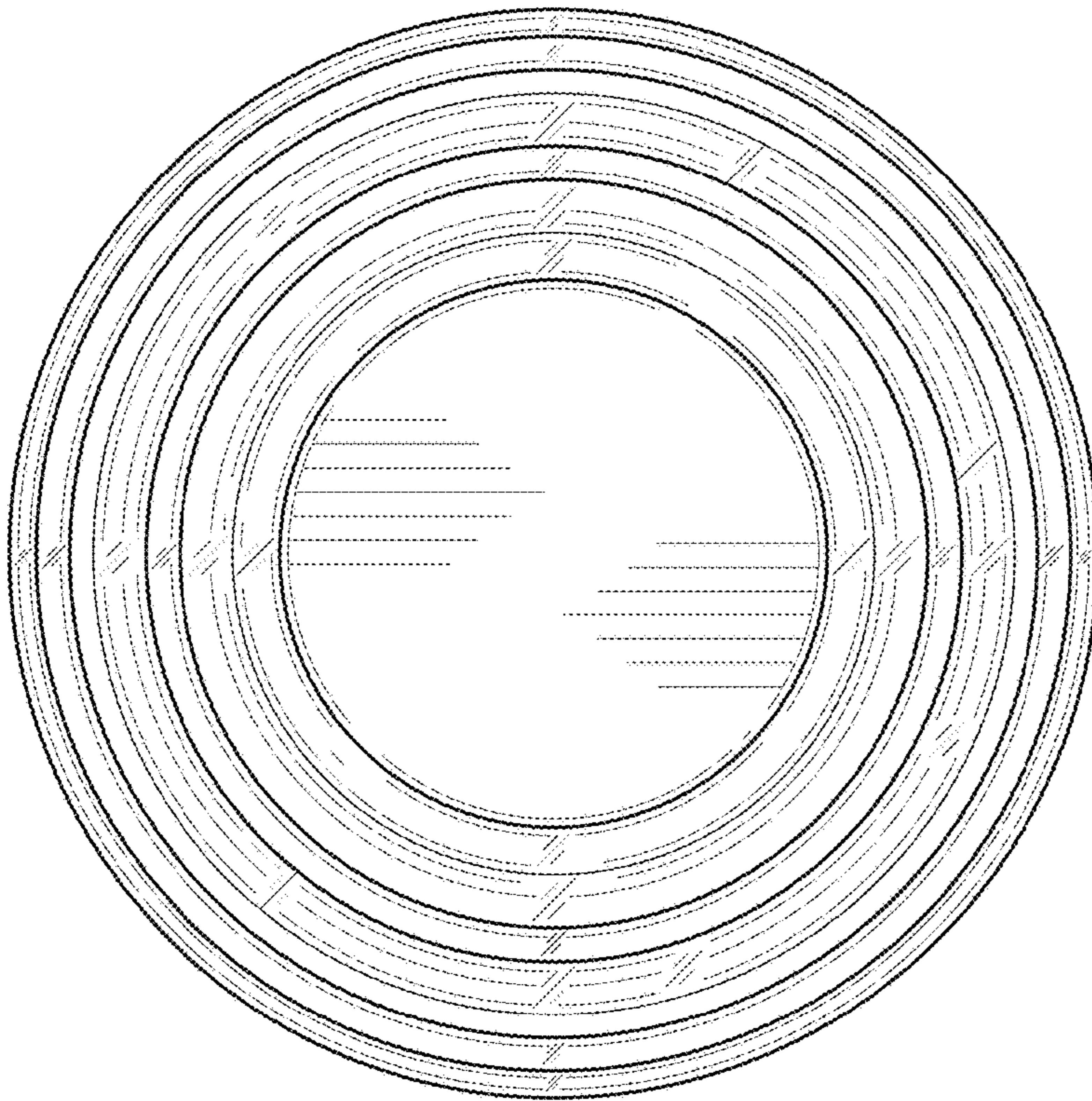


FIG. 7

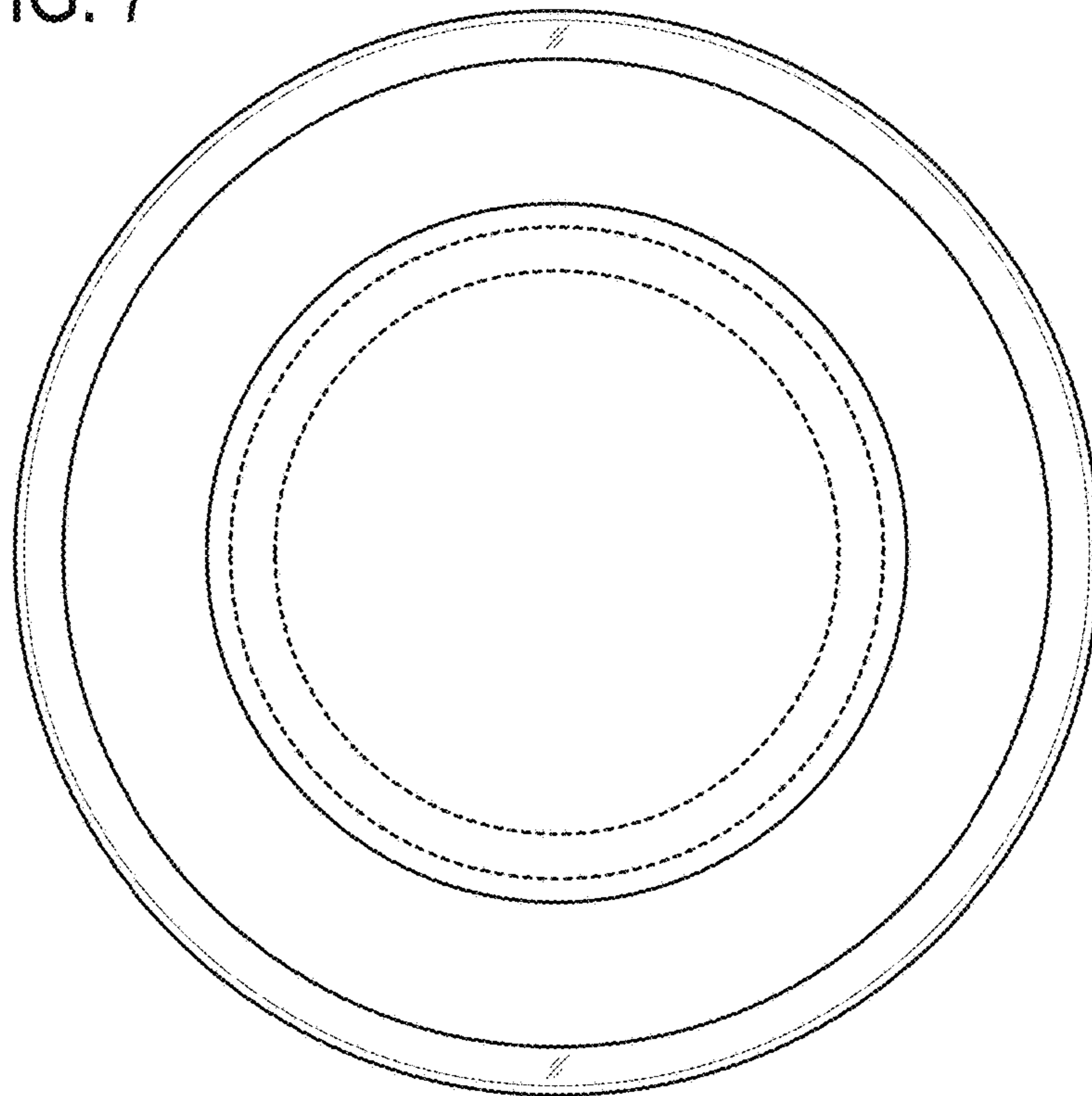


FIG. 8